




USER MANUAL

ID 400E



(+90) 444 93 53
magmaWeld.com
info@magmaWeld.com

 **(+90) 538 927 12 62**

All rights reserved. It is prohibited to reproduce this documentation, or any part thereof, without the prior written authorisation of Magma Mekatronik Makine Sanayi ve Ticaret A.Ş.
Magma Mekatronik may modify the information and the images without any prior notice.
Tüm hakları saklıdır. Magma Mekatronik Makine Sanayi ve Ticaret A.Ş.'nin yazılı izni olmaksızın bu dokümanın tamamının ya da bir bölümünün kopyalanması yasaktır.
Magma Mekatronik önceden haber vermeksizin bilgilerde ve resimlerde değişiklik yapılabilir.

DC WELDING INVERTER

EN

POSTE ONDULEUR DC

FR

СВАРОЧНЫЙ ИНВЕРТОР DC

RU

عاكس اللحام بالتيار المستمر

AR

DC KAYNAK İNVERTÖRÜ

TR

CE

EN 60974-1

EN 60974 -10

RoHS

EAC

 **CONTENTS**

SAFETY PRECAUTIONS	5
1 TECHNICAL INFORMATION	
1.1 General Information	11
1.2 Machine Components	11
1.3 Product Label	12
1.4 Technical Data	13
1.5 Accessories	13
2 INSTALLATION	
2.1 Delivery Control	14
2.2 Installation and Operation Recommendations	14
2.3 Mains Plug Connection	15
2.4 Connection to Mains	15
2.5 Connections for MMA Welding	15
2.6 TIG Welding Connections	15
3 OPERATION	
3.1 User Interface	16
3.2 MMA Welding	17
3.3 Touch-Scratch TIG Welding	17
3.4 Remote Control (Optional)	17
4 MAINTENANCE AND SERVICE	
4.1 Maintenance	18
4.2 Error Codes	19
5 ANNEX	
5.1 Spare Parts List	20
5.2 Connection Diagrams	21

SAFETY PRECAUTIONS

Be Sure To Follow All Safety Rules In This Manual!

Explanation Of Safety Information



- Safety symbols found in the manual are used to identify potential hazards.
- When any one of the safety symbols are seen in this manual, it must be understood that there is a risk of injury and the following instructions should be read carefully to avoid potential hazards.
- The possessor of the machine is responsible for preventing unauthorized persons from accessing the equipment.
- Persons using the machine must be experienced or fully trained in welding / cutting they have to read the user manual before operation and follow the safety instructions.

Explanation Of Safety Symbols



ATTENTION

Indicates a potentially hazardous situation that could cause injury or damage. In case if no precaution is taken, it may cause injuries or material losses / damages.



IMPORTANT

Specifies notifications and alerts on how to operate the machine.



DANGER

Indicates a serious danger. In case if not avoided, severe or fatal injuries may occur.

Comprehending Safety Precautions



- Read the user manual, the label on the machine and the safety instructions carefully.
- Make sure that the warning labels on the machine are in good condition. Replace missing and damaged labels.
- Learn how to operate the machine, how to make the checks in a correct manner.
- Use your machine in suitable working environments.
- Improper changes made in your machine will negatively affect the safe operation and its longevity.
- The manufacturer is not responsible for the consequences resulting from the operation of the device beyond the specified conditions.

Electric Shocks May Kill



Make certain that the installation procedures comply with national electrical standards and other relevant regulations, and ensure that the machine is installed by authorized persons.

- Wear dry and sturdy insulated gloves and working apron. Never use wet or damaged gloves and working aprons.
- Wear flame-resistant protective clothing against the risk of burning. The clothing used by the operator must be protective against sparks, splashing and arc radiation.
- Do not work alone. In case of a danger make sure you have someone for help in your working environment.
- Do not touch the electrode with the bare hand. Do not allow the electrode holder or electrode to come in contact with any other person or any grounded object.
- Never touch parts that carry electricity.
- Never touch the electrode if you are in contact with the electrode attached to the work surface, floor or another machine.
- By isolating yourself from the work surface and the floor, you can protect yourself from possible electric shocks. Use a non-flammable, electrically insulating, dry and undamaged insulation material that is large enough to cut off the operator's contact with the work surface.
- Do not connect more than one electrode to the electrode holder.
- Clamp work cable with good metal-to-metal contact to workpiece or worktable as near the weld as practical.
- Check the torch before operating the machine. Make sure the torch and its cables are in good condition. Always replace a damaged, worn torch.
- Do not touch electrode holders connected to two machines at the same time since double open-circuit voltage will be present.
- Keep the machine turned off and disconnect cables when not in use.
- Before repairing the machine, remove all power connections and / or connector plugs or turn off the machine.
- Be careful when using a long mains cable.

- Make sure all connections are tight, clean, and dry.
 - Keep cables dry, free of oil and grease, and protected from hot metal and sparks.
 - Bare wiring can kill. Check all cables frequently for possible damage. If a damaged or an uninsulated cable is detected, repair or replace it immediately.
 - Insulate work clamp when not connected to workpiece to prevent contact with any metal object.
 - Make sure that the grounding of the power line is properly connected.
 - Do not use AC weld output in damp, wet, or confined spaces, or if there is a danger of falling.
 - Use AC output ONLY if required for the welding process.
 - If AC output is required, use remote output control if present on unit.
- Additional safety precautions are required when any of the following electrically hazardous conditions are present :**
- in damp locations or while wearing wet clothing,
 - on metal structures such as floors, gratings, or scaffolds,
 - when in cramped positions such as sitting, kneeling, or lying,
 - when there is a high risk of unavoidable or accidental contact with the workpiece or ground.
- For these conditions, use the following equipment in order presented:
- Semiautomatic DC constant voltage (CV) MIG welding machine,
 - DC manual MMA welding machine,
 - DC or AC welding machine with reduced open-circuit voltage (VRD), if available.

Procedures for Electric Shock



- Turn off the electric power.
- Use non-conducting material, such as dry wood, to free the victim from contact with live parts or wires.
- Call for emergency services.

If you have first aid training;

- If the victim is not breathing, Administer cardiopulmonary resuscitation (CPR) immediately after breaking contact with the electrical source. Continue CPR (cardiac massage) until breathing starts or until help arrives.
- Where an automatic electronic defibrillator (AED) is available, use according to instructions.
- Treat an electrical burn as a thermal burn by applying sterile, cold (iced) compresses. Prevent contamination, and cover with a clean, dry dressing.

Moving Parts May Cause Injuries



- Keep away from the moving parts.
- Keep all protective devices such as covers, panels, flaps, etc., of machinery and equipment closed and in locked position.
- Wear metal toe shoes against the possibility of heavy objects falling on to your feet.

Fumes and Gases May Be Harmful To Your Health



Long-term inhalation of fumes and gases released from welding / cutting is very dangerous.

- Burning sensations and irritations in the eyes, nose and throat are signs of inadequate ventilation. In such a case, immediately boost the ventilation of the work area, and if the problem persists, stop the welding / cutting process completely.
- Create a natural or artificial ventilation system in the work area.
- Use a suitable fume extraction system where welding / cutting works are being carried out. If necessary, install a system that can expel fumes and gases accumulated in the entire workshop. Use a suitable filtration system to avoid polluting the environment during discharge.
- If you are working in narrow and confined spaces or if you are welding lead, beryllium, cadmium, zinc, coated or painted materials, use masks that provide fresh air in addition to the above precautions.
- If the gas tanks are grouped in a separate zone, ensure that they are well ventilated, keep the main valves closed when gas cylinders are not in use, pay attention to possible gas leaks.
- Shielding gases such as argon are denser than air and can be inhaled instead of air if used in confined spaces. This is dangerous for your health as well.
- Do not perform welding / cutting operations in the presence of chlorinated hydrocarbon vapors released during lubrication or painting operations.
- Some welded / cut parts require special ventilation. The safety rules of products that require special ventilation should be read carefully. A suitable gas mask should be worn when necessary.

Arc Light May Damage Your Eyes and Skin

- Use a standard protective mask and a suitable glass filter to protect your eyes and face.
- Protect other naked parts of your body (arms, neck, ears, etc.) with suitable protective clothing from these rays.
- Enclose your work area with flame-resistant folding screens and hang warning signs at eye level so that people around you will not sustain injuries from arc rays and hot metals.
- This machine is not used for heating of icebound pipes. This operation performed with the welding / cutting machine causes explosion, fire or damage to your installation.

Sparks and Spattering Particles May Get Into Eyes and Cause Damage

- Performing works such as welding / cutting, surface grinding, and brushing cause sparks and metal particles to splatter. Wear approved protective work goggles which have edge guards under the welding masks to prevent sustaining possible injuries.

Hot Parts May Cause Severe Burns

- Do not touch the hot parts with bare hands.
- Wait until the time required for the machine to cool down before working on its parts.
- If you need to hold hot parts, use suitable tools, welding / cutting gloves with high-level thermal insulation and fire-resistant clothes.

Noise May Cause Damage To Your Hearing Ability

- The noise generated by some equipment and operations may damage your hearing ability.
- Wear approved personal ear protective equipment if the noise level is high.

Welding Wires Can Cause Injuries

- Do not point the torch towards any part of the body, other persons, or any metal while unwrapping the welding / cutting wire.
- When welding wire is run manually from the roller especially in thin diameters the wire can slip out of your hand, like a spring or can cause damage to you or other people around, therefore you must protect your eyes and face while working on this.

Welding Operations May Cause Fire and Explosion

- Never perform welding / cutting work in places near flammable materials. There may be fire or explosions.
- Before starting the welding / cutting work, remove these materials from the environment or cover them with protective covers to prevent combustions and flaring.
- National and international special rules apply in these areas.
- Do not apply welding / cutting operations into completely closed tanks or pipes.
- Before welding to tanks and closed containers, open them, completely empty them, and clean them. Pay the greatest attention possible to the welding / cutting operations you will perform in such places.
- Do not weld in tanks and pipes which might have previously contained substances that may cause explosions, fires or other reactions.
- Welding / cutting equipment heats up. For this reason, do not place it on surfaces that could easily burn or be damaged !
- Sparks and splashing parts may cause a fire. For this reason, keep materials such as fire extinguishers tubes, water, and sand in easily accessible places.
- Use holding valves, gas regulators and valves on flammable, explosive and compressed gas circuits. Make sure that they are periodically inspected and pay attention that they run reliably.

Maintenance Work Performed by Unauthorized Persons To Machines and Apparatus May Cause Injuries

- Electrical equipment should not be repaired by unauthorized persons. Errors occurred if failed to do so may result in serious injury or death when using the equipment.
- The gas circuit elements operate under pressure; explosions may occur as a result of services provided by unauthorized persons, users may sustain serious injuries.
- It is recommended to perform technical maintenance of the machine and its auxiliary units at least once a year.

- Welding / Cutting in Small Sized and Confined Spaces**
- In small-sized and confined spaces, absolutely make sure to perform welding / cutting operations, accompanied by another person.
 - Avoid performing welding / cutting operations in such enclosed areas as much as possible.



- Failure To Take Precautions During Transport May Cause Accidents**
- Take all necessary precautions when moving the machine. The areas where the machine to be transported, parts to be used in transportation and the physical conditions and health of the person carrying out the transportation works should be suitable for the transportation process.
 - Some machines are extremely heavy; therefore, make sure that the necessary environmental safety measures are taken when changing their places.



- If the machine is to be used on a platform, it must be checked that this platform has suitable load bearing limits.
- If it is to be transported by means of a haulage vehicle (transport trolley, forklift etc.), make sure of the durability of the vehicle, and the connection points (carrying suspenders, straps, bolts, nuts, wheels, etc.) that connect the machine to this vehicle.
- If the machine will be carried manually, make sure the durability of the machine apparatuses (carrying suspenders, straps, etc.) and connections.
- Observe the International Labor Organization's rules on carriage weights and the transport regulations in force in your country in order to ensure the necessary transport conditions.
- Always use handles or carrying rings when relocating the power-supply sources. Never pull from torches, cables or hoses. Be absolutely sure to carry gas cylinders separately.
- Remove all interconnections before transporting the welding / cutting equipment, each being separately, lift and transport small ones using its handles, and the big ones from its handling rings or by using appropriate haulage equipment, such as forklifts.

Falling Parts May Cause Injuries



Improper positioning of the power-supply sources or other equipment can cause serious injury to persons and physical damage to other objects.

- Place your machine on the floor and platforms with a maximum tilt of 10° so that it does not fall or tip over. Choose places that do not interfere with the flow of materials, where there is no risk of tripping over on cables and hoses; yet, large, easily ventilatable, dust-free areas. To prevent gas cylinders from tipping over, on machines with a gas platform suitable for the tanks, fix the tanks on to the platform; in stationary usage applications, fix them to the wall with a chain in a way that they would not tip over for sure.
- Allow operators to easily access settings and connections on the machine.

Excessive Use Of The Machine Causes Overheating



- Allow the machine to cool down according to operation cycle rates.
- Reduce the current or operation cycle rate before starting the welding / cutting again.
- Do not block the fronts of air vents of the machines.
- Do not put filters that do not have manufacturer approvals into the machine's ventilation ports.

Excessive Use Of The Machine Causes Overheating



- This device is in group 2, class A in EMC tests according to TS EN 55011 standard.
- This class A device is not intended for use in residential areas where electrical power is supplied from a low-voltage power supply. There may be potential difficulties in providing electromagnetic compatibility due to radio frequency interference transmitted and emitted in such places.



This device is not compliant with IEC 61000 -3-12. In case if it is desired to be connected to the low voltage network used in the home, the installer to make the electrical connection or the person who will use the machine must be aware that the machine has been connected in such a manner; in this case the responsibility belongs to the user.

- Make sure that the work area complies with electromagnetic compatibility (EMC). Electromagnetic interferences during welding / cutting operations may cause undesired effects on your electronic devices and network; and the effects of these interferences that may occur during these operations are under the responsibility of the user.
- If there is any interference, to ensure compliance; extra measures may be taken, such as the use of short cables, use of shielded (armored) cables, transportation of the welding machine to another location, removal of cables from the affected device and / or area, use of filters or taking the work area under protection in terms of EMC.
- To avoid possible EMC damage, make sure to perform your welding / cutting operations as far away from your sensitive electronic devices as possible (100 m).

- Ensure that your welding and/or cutting machine has been installed and situated in its place according to the user manual.

**Evaluation Of
Electromagnetic
Suitability Of The
Work Area**



According to article 5.2 of IEC 60974-9;

Before installing the welding / cutting equipment, the person in charge of the operation and / or the user must conduct an inspection of possible electromagnetic interference in the environment.

Aspects indicated below has to be taken into consideration;

- Other supply cables, control cables, signal and telephone cables, above and below the welding / cutting machine and its equipment,
- Radio and television transmitters and receivers,
- Computer and other control hardware,
- Critical safety equipment, e.g. protection of industrial equipment,
- Medical apparatus for people in the vicinity, e.g. pacemakers and hearing aids,
- Equipment used for measuring or calibration,
- Immunity of other equipment in the environment. The user must ensure that the other equipment in use in the environment is compatible. This may require additional protection measures.
- Considering the time during which the welding / cutting operations or other activities take place during the day, the boundaries of the investigation area can be expanded according to the size of the building, the structure of the building and other activities that are being performed in the building.

In addition to the evaluation of the field, evaluation of device installations may also be necessary for solving the interfering effect. In case if deemed necessary, on-site measurements can also be used to confirm the efficiency of mitigation measures.

(Source: IEC 60974-9).

**Electromagnetic
Interference
Reduction Methods**



- The appliance must be connected to the electricity supply in the recommended manner by a competent person. If interference occurs, additional measures may be applied, such as filtering the network. The supply of the fixed-mounted arc welding equipment must be made in a metal tube or with an equivalent shielded cable. The housing of the power supply must be connected and a good electrical contact between these two structures has to be provided.
- The recommended routine maintenance of the appliance must be carried out. All covers on the body of the machine must be closed and / or locked when the device is in use. Any changes, other than the standard settings without the written approval of the manufacturer, cannot be modified on the appliance. Otherwise, the user is responsible for any consequences that may possibly occur.
- Welding / cutting cables should be kept as short as possible. They must move along the floor of the work area, in a side by side manner. Welding / cutting cables should not be wound in any way.
- A magnetic field is generated on the machine during welding / cutting. This may cause the machine to pull metal parts on to itself. To avoid this attraction, make sure that the metal materials are at a safe distance or fixed. The operator must be insulated from all these interconnected metal materials.
- In cases where the workpiece cannot be connected to the ground due to electrical safety, or because of its size and position (for example, in building marine vessel bodies or in steel construction manufacturing), a connection between the workpiece and the grounding may reduce emissions in some cases, it should be kept in mind that grounding of the workpiece may cause users to sustain injuries or other electrical equipment in the environment to break down. In cases where necessary, the workpiece and the grounding connection can be made as a direct connection, but in some countries where direct connection is not permissible, the connection can be established using appropriate capacity elements in accordance with local regulations and ordinances.
- Screening and shielding of other devices and cables in the work area can prevent aliasing effects. Screening of the entire welding / cutting area can be evaluated for some specific applications.

**Electromagnetic Field
(EMF)**



The electrical current passing through any conductor generates zonal electric and magnetic fields (EMF).

All operators must follow the following procedures to minimize the risk of exposure to EMF;

- In the name of reducing the magnetic field, the welding / cutting cables must be assembled and secured as far as possible with the joining materials (tape, cable ties etc.).
- The operator's body and head should be kept as far away from the welding / cutting machine and cables as possible,

The electrical current passing through any conductor generates zonal electric and magnetic fields (EMF).

All operators must follow the following procedures to minimize the risk of exposure to EMF;

- In the name of reducing the magnetic field, the welding / cutting cables must be assembled and secured as far as possible with the joining materials (tape, cable ties etc.).
- The operator's body and head should be kept as far away from the welding / cutting machine and cables as possible,
- Welding / cutting and electric cables should not be wrapped around the body of the machine in any way,
- The body of the machine should not get caught between the welding / cutting cables. The source cables must be kept away from the body of the machine, both being placed side by side,
- The return cable must be connected to the workpiece as close as possible to the work area,
- The welding / cutting machine should not rest against the power unit, ensconce on it and not work too close to it,
- Welding / cutting work should not be performed when carrying the wire supply unit or power unit.

EMF may also disrupt the operation of medical implants (materials placed inside the body), such as pacemakers. Protective measures should be taken for people who carry medical implants. For example, access limitation may be imposed for passers-by, or individual risk assessments may be conducted for welders. Risk assessment should be conducted and recommendations should be made by a medical professional for users who carry medical implants.



- Protection**
- Do not expose the machine to rain, prevent the machine from splashing water or pressurized steam.



- Energy Efficiency**
- Choose the welding / cutting method and welding machine for the welding work you are to perform.
 - Select the welding / cutting current and/or voltage to match the material and thickness you are going to weld.
 - If you have to wait for a long time before you start your welding / cutting work, turn off the machine after the fan has cooled it down. Our machines with smart fan control will turn off on their own.

Waste Procedure



- This device is not domestic waste. It must be directed to recycling within the framework of the European Union directive and national laws.
- Obtain information from your dealer and authorized persons about the waste management of your used machines.

WARRANTY FORM



Please visit our website www.magmaweld.com/warranty-form/wr for warranty form.

TECHNICAL INFORMATION

1.1 General Information

ID 400E is an inverter type portable, tri-phase DC MMA welding machine designed to weld stick electrodes up to 6.0 mm. Due to descending characteristics of the inverter technology it provides stable arc and good restriking performance. Initial striking ability of the electrodes can be improved via Hot Start potentiometer and certain electrodes like basic electrodes which have tendency to short circuit and stick to the weld pool could be avoided by adjusting the Arc Force potentiometer. It can be used as a Touch-Scratch DC TIG welder if a TIG torch with a valve is connected. ID 400E can also be used with long welding cables up to 25 m. Plus, wireless and cable remote control options are possible. The machine is fan cooled and thermally protected against over heating.

1.2 Machine Components

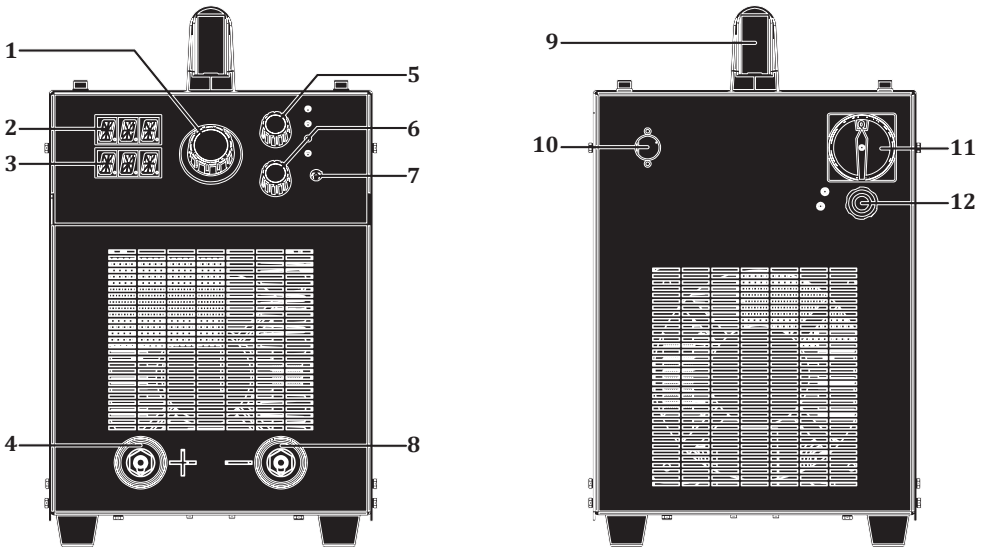







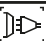




Figure 1 : ID 400E

- | | |
|---|---|
| 1- Current Adjustment Pot | 7- Welding Mode Selection Button |
| 2- Current Display | 8- Earth Cable and Welding Cable Socket (-) |
| 3- Voltage Display | 9- Handle |
| 4- Earth Cable and Welding Cable Socket (+) | 10- Remote Control Connector Inlet |
| 5- Hot Start Adjustment Pot | 11- ON / OFF Switch |
| 6- Arc Force Adjustment Pot | 12- Mains Cables Inlet |

1.3 Product Label

MAGMA MEKATRONİK MAKİNE SAN. VE TİC. A.Ş. Organize Sanayi Bölgesi 5.Kısım Manisa-TÜRKİYE														
ID 400 E					Seri No:									
					EN 60974-1 / EN 60974-10 / Class A									
5A / 20.2V - 400A / 36V					5A / 10.2V - 400A / 26V									
		X	35%	60%	100%			X	35%	60%	100%			
		I_2	400A	306A	237A			I_2	400A	306A	237A			
		U_2	36V	32.2V	29.5V			U_2	26V	22.2V	19.5V			
	$U_0=86V$	I_1	33.2A	25A	19.1A		$U_0=86V$	I_1	26.5A	19.5A	14A			
		S_1	22.9kVA	17.2kVA	13.2kVA			S_1	18.3kVA	13.5kVA	9.7kVA			
	$U_1=400V$	$I_{1max} = 33.2A$			$I_{1eff} = 19.6A$			$I_{1max} = 26.5A$			$I_{1eff} = 15.7A$			
					IP21S									

 Three Phase Transformer Rectifier

X Duty Cycle



TIG Welding

U_0 Open Circuit Voltage



MMA Welding

U_1 Mains Voltage and Frequency



Direct Current

U_2 Rated Welding Voltage



Vertical Characteristic

I_1 Rated Mains Current



Mains Input 3-Phase Alternating Current

I_2 Rated Welding Current



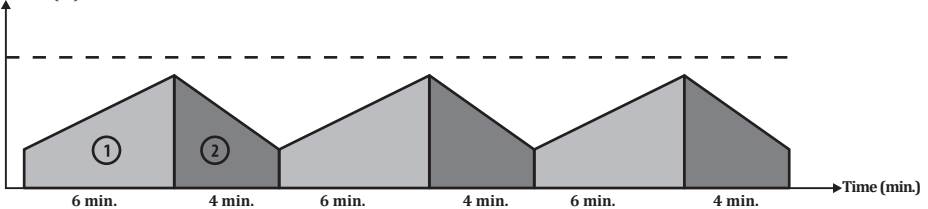
Suitable for Operation at Hazardous Environments

S_1 Rated Power

IP21S

Protection Class

Duty Cycle
Temperature (C°)



As defined in the standard EN 60974-1, the duty cycle rate includes a time period of 10 minutes.

For example, if a machine specified as 250A at %60 is to be operated at 250A, the machine can weld / cut without interruption in the first 6 minutes of the 10 minutes period (zone 1). However, the following 4 minutes should be kept idle for the machine cool down (zone 2).

1.4 Technical Data

TECHNICAL DATA	UNIT	ID 400E
Mains Voltage (3-phase 50-60 Hz)	V	400
Rated Power	kVA	22.9
Welding Current Range	ADC	5 - 400
Rated Welding Current	ADC	400 (%35)
Open Circuit Voltage	VDC	86
Stick Electrode Diameter Range	mm	1.60 - 6.00
Dimensions (l x w x h)	mm	585 x 307 x 515
Weight	kg	32
Protection Class		IP 21S

1.5 Accessories

STANDARD ACCESSORIES	QTY	ID 400E
Workpiece Clamp and Cable	1	7905203503 (35 mm ² - 3 m)
Electrode Clamp and Cable	1	7906203503 (35 mm ² - 3 m)
OPTIONAL ACCESSORIES	QTY	ID 400E
Remote Control 10m	1	7900000210
Remote Control 20m	1	7900000220
Remote Control 30m	1	7900000230
Remote Control 40m	1	7900000240
Remote Control 50m	1	7900000250
Transport Trolley	1	7900000600
Rack (4, vertical)	1	7900000804
Rack (6, vertical)	1	7900000807
Rack (9, vertical)	1	7900000809
Lava TIG 20V (4 m) TIG Torch	1	7111020004
Lava TIG 20V (8 m) TIG Torch	1	7111020008



INSTALLATION

2.1 Delivery Control

Make sure that all the materials you have ordered have been received. If any material is missing or damaged, contact your place of purchase immediately.

The standard box includes the following;

- Welding machine and connected mains cable
- Workpiece clamp and cable
- Electrode clamps and cable
- Warranty certificate
- User manual

In case of a damaged delivery, record a report, take a picture of the damage and report to the transport company together with a photocopy of the delivery note. If the problem persists, contact the customer service.

Symbols and their meanings on the device



Welding may be dangerous. Proper working conditions should be ensured and necessary precautions should be taken. Specialists are responsible for the machine and have to be equipped with the necessary equipment and those who are not relevant should be kept away from the welding area.



This device is not compatible with IEC 61000-3-12. If it is desired to connect to the low voltage mains used in homes, it is essential that the installer or the person who will operate the machine to make the electrical connection has information on the machine's connectivity. In this case the responsibility will be assumed by the person who will perform the installation or by the operator.



The safety symbols and warning notes on the device and in the operating instructions must be observed and the labels must not be removed.



Grids are intended for ventilation. The openings should not be covered in order to provide good cooling and no foreign objects should be inserted.

2.2 Installation and Operation Recommendations

- Lifting rings or forklifts should be used to move the machine. Do not lift the machine with the gas cylinder. When manually carrying portable welding machines, action must be taken in accordance with Occupational Health and Safety regulations. Necessary arrangements must be made in the workplace to ensure that the transportation process is carried out in accordance with health and safety conditions as much as possible. Precautions should be taken in accordance with the characteristics of the working environment and the requirements of the job. Place the machine on a hard, level, smooth surface where it will not fall or tip over
- If the ambient temperature exceeds 40°C, operate the machine at a lower current or a lower operating cycle.
- Avoid welding outdoors in windy and rainy weather circumstances. If welding is necessary in such cases, protect the welding area and the welding machine with a curtain and canopy. If you weld indoors, use a suitable fume extraction system. Use breathing apparatus if there is a risk of inhaling welding fumes and gas in confined spaces.
- Observe the duty cycle rates specified on the product label. Exceeding duty cycle rates can damage the machine and this may invalidate the warranty.
- Use the fuse that is compliant with your system.
- Secure the ground cable as close as possible to the welding area.
- Do not allow the welding current to pass through equipment other than the welding cables.
- Secure the gas cylinder to the wall with a chain.
- The welding cables and the mains cable must not be wrapped in the machine housing during operation.

2.3 Mains Plug Connection



For your safety, never use the mains cord of the machine without a plug.

- No plug has been connected to the mains cable since there may different types of outlets available in plants, construction sites and workshops. A suitable plug must be connected by a qualified technician. Make sure that the grounding cable marked with ⊕ and a yellow / green color is present.
- After connecting the plug to the cable, do not attach it to the outlet at this stage.

2.4 Connection to Mains



When plugging the power plug into the outlet, make sure that the power switch is set to "0".

- Check the 3-phase with a voltmeter before connecting the machine to the mains. After detecting that each phase is 400V ($\pm 40V$), attach the plug into the wall outlet.
- Start the machine with the on / off switch.
- Turn the machine off by turning the switch back to the "0" position after hearing the fan sound and seeing the ammeter and voltmeter lights are on.

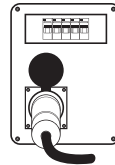


Figure 2 : Mains Connection

2.5 Connections for MMA Welding

- According to the polarity of the electrode to be used, insert welding cables into the appropriate outlet and tighten them by turning clockwise.
- Connect the earth clamp tightly to the workpiece as close as possible to the welding area.

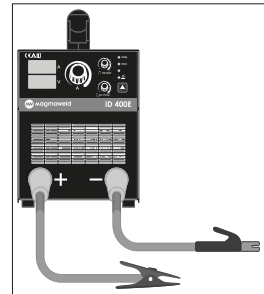


Figure 3 : MMA Welding Connections

2.6 TIG Welding Connections

- TIG torch with a valve should be used.
- Connect the TIG torch power cable to the negative outlet and the earth cable to the positive outlet of the machine.
- Install the Argon gas regulator onto the Argon gas cylinder.
- Connect the gas hose of the torch to the gas regulator.



Figure 4 : Connecting Gas Cylinder

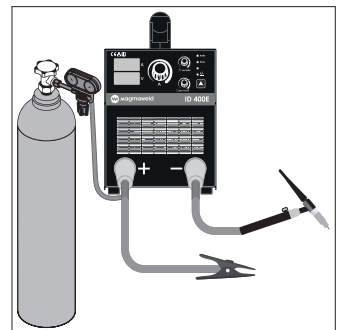
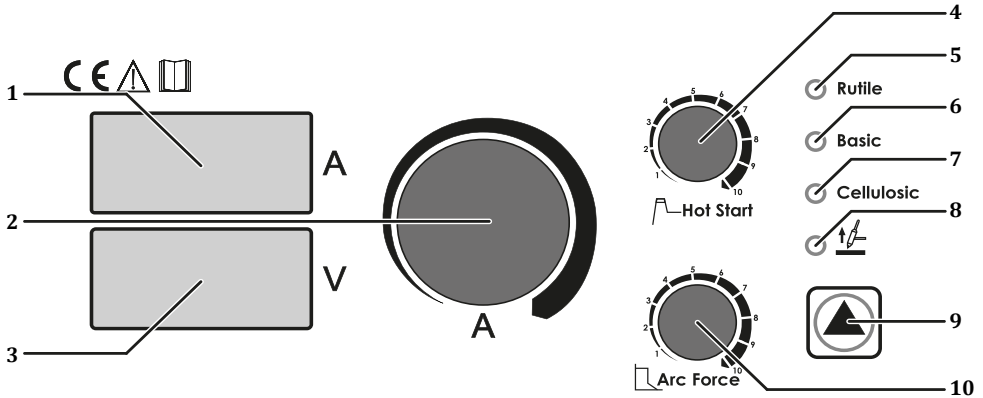


Figure 5 : TIG Welding Connections

OPERATION

3.1 User Interface



 **magmaweld**

ID 400E

1	<p>Current Display Displays the welding current during welding, displays the adjusted current when the machine doesn't weld.</p>
2	<p>Current Adjustment Pot Is used for adjusting the welding current a range of 5 - 400A.</p>
3	<p>Voltage Display Displays the open circuit voltage and the welding voltage during welding.</p>
4	<p>Hot Start Adjustment Pot Is used for a better ignition in stick electrode welding.</p>
5	<p>Rutile Electrode Welding Led Light when rutile electrode welding mode is selected.</p>
6	<p>Basic Electrode Welding Led Light when basic electrode welding mode is selected.</p>
7	<p>Cellulosiz Electrode Welding Led Light when cellulosis electrode welding mode is selected.</p>
8	<p>Touch-Scratch TIG Welding Led Light when touch-scratch TIG welding mode is selected.</p>
9	<p>Welding Mode Selection Button/ VRD Function It is used to select one of the MMA and touch-scratch TIG welding modes or to access the VRD function. You have to press and hold this button for 3 seconds to access the VRD function. If you want to activate the VRD function, you must turn the pot 2 (Current Adjustment Pot) and turn the VRD function to On position. In this way, the output current voltage drops below 12 Volts.</p>

	<p>You can back to the main menu by pressing button 9 (Welding Mode Selection Button / VRD Function) again.</p> <p>When you want to turn off the VRD function, you can reach the VRD function screen by pressing and holding button 9 for 3 seconds. You must turn the pot 2 to turn the VRD function to Off. To return to the main menu, you must press button 9 again.</p>
10	<p>Arc Force Adjustment Pot</p> <p>Is used for reducing the electrode's tendency to stick into the weld pool during welding.</p>

3.2 MMA Welding

- Push the welding mode selection button for selecting the stick electrode welding mode. Stick electrode welding led lights.
- Adjust the current via current adjustment knob.
- Below table can be used as a rough reference for mild steel electrodes. For exact parameters, please refer to the electrode manufacturer's recommendations.

Covered Electrode Recommended Welding Current

Diameter (mm)	Rutile	Basic	Cellulosic
2.0	40-60 A	-	-
2.5	60-90 A	60-90 A	60-100 A
3.25	100-140 A	100-130 A	70-130 A
4.0	140-180 A	140-180 A	120-170 A
5.0	200-240 A	200-250 A	160-200 A
6.0	260-300 A	-	-

- For better ignition turn the **HOT START** knob clock-wise. Welding arc can drill the metal when it is very thin and hot start is high.
- **ARC FORCE** is useful for electrodes which have tendency the knob clock-wise will decrease the tendency to stick. If **ARC FORCE** is adjusted too high, spatter increases.
- Start welding. You can observe welding current and voltage by current display and voltage display .

3.3 Touch-Scratch TIG Welding

- Push the welding mode selection button for selecting Touch-Scratch TIG welding mode. Touch-Scratch welding led lights.
- Adjust the current via current adjustment knob.
- Start welding. You can observe welding current and voltage by current display and voltage display.

3.4 Remote Control (Optional)

- It is possible to control the machine from long distances with the wired remote control options available from Magmaweld. In this case, the appropriate control socket must be installed on the machine by an authorized Magmaweld service.
- When the remote control connector is connected to the machine, ampere adjustment knob on the machine is disabled automatically and current adjustment is made by the remote control.



MAINTENANCE AND SERVICE

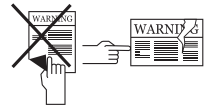
- Maintenance and repairs to the machine must be carried out by a qualified personnel. Our company will not be responsible for any accidents that may occur by unauthorized interventions.
- Parts that will be used during repair can be obtained from our authorized services. The use of original spare parts will extend the life of your machine and prevent performance losses.
- Always contact the manufacturer or an authorized service designated by the manufacturer.
- Never make interventions yourself. In this case the manufacturer warranty is no longer valid.
- Always comply with the applicable safety regulations during maintenance and repair.
- Before performing any work on the machine for repair, disconnect the machine's power plug from the power supply and wait for 10 seconds for the capacitors to discharge.

4.1 Maintenance



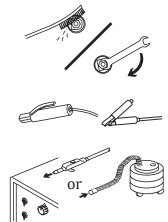
Daily Maintenance

- Do not remove the warning labels on the device. Replace the worn/torn labels with the new ones. Labels can be obtained from the authorized service.
- Check your torch, clamps and cables. Pay attention to the connections and the durability of the parts. Replace the damaged/defective parts with the new ones. Do not ever make additions to/repair the cables.
- Ensure adequate space for ventilation.
- Before starting welding, check the gas flow rate from the tip of the torch with a flow meter. If the gas flow is high or low, bring it to the appropriate level for the welding process.



Every 6 Months

- Clean and tighten fasteners such as bolts and nuts.
- Check the electrode clamp and grounding clamp cables.
- Open the side covers of the machine and clean with low pressure dry air. Do not apply compressed air to electronic components at close distance.
- Check the socket to which the power supply plug of the machine is connected. If there is any looseness in the power cable connection points of the socket, remove such looseness. If there is an arc or expansion in the socket slots, replace them with new ones.
- Check the power supply plug of the machine. If there is any looseness in the power cable connection points in the electricity plug, remove such looseness. If there is an arc or deformation at the ends of the plug, replace it with a new one.



NOTE: The above mentioned periods are the maximum ones that should be applied if no problems are encountered in your device. Depending on the work load and contamination of your work environment, you can repeat the above processes more frequently.



Never operate the machine when covers are open.

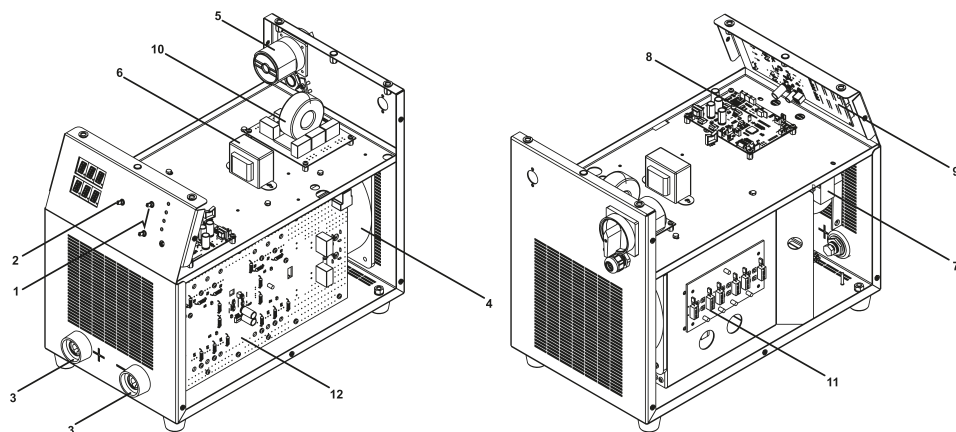
4.2 Error Codes

EN

Error Code	Error	Cause	Solution
ERR-T1	Thermal Error	<ul style="list-style-type: none"> Machine is overheated because of high ambient temperature of exceeding duty cycle 	<ul style="list-style-type: none"> Let the machine on for a while in order to cool down itself with the cooling fan. After it cools enough, you can go on welding
E02	Power Module Error	<ul style="list-style-type: none"> Error/Errors may exist in any electronic card 	<ul style="list-style-type: none"> Switch off and switch on. If the error still exists, check the mains voltage whether it is within the range of 340V-420V or not. If the error still exists, contact the authorized service
E04	Mains Voltage High	<ul style="list-style-type: none"> Mains voltage may have increased 	<ul style="list-style-type: none"> Check the mains connection cables and the voltage. Make sure the correct voltage input is provided. If the mains voltage is normal, contact the authorized service
E08	Mains Voltage Low	<ul style="list-style-type: none"> Mains voltage may have decreased 	<ul style="list-style-type: none"> Check the mains connection cables and the voltage. Make sure the correct voltage input is provided. If the mains voltage is normal, contact the authorized service

ANNEX

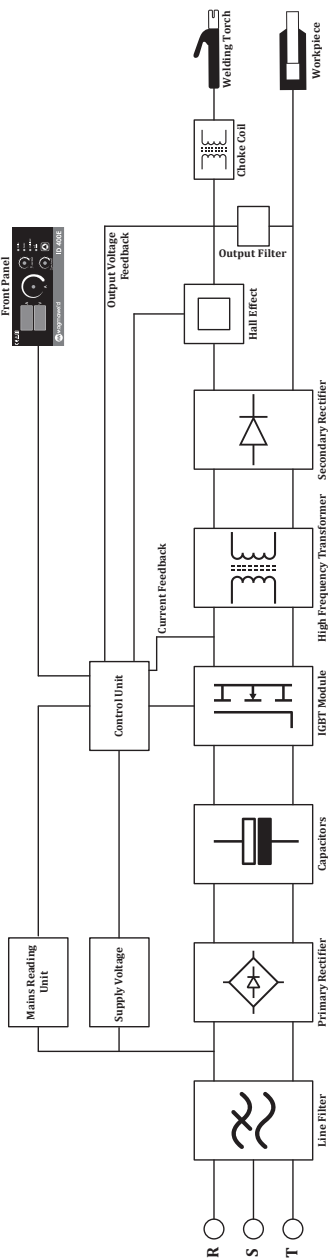
5.1 Spare Parts List



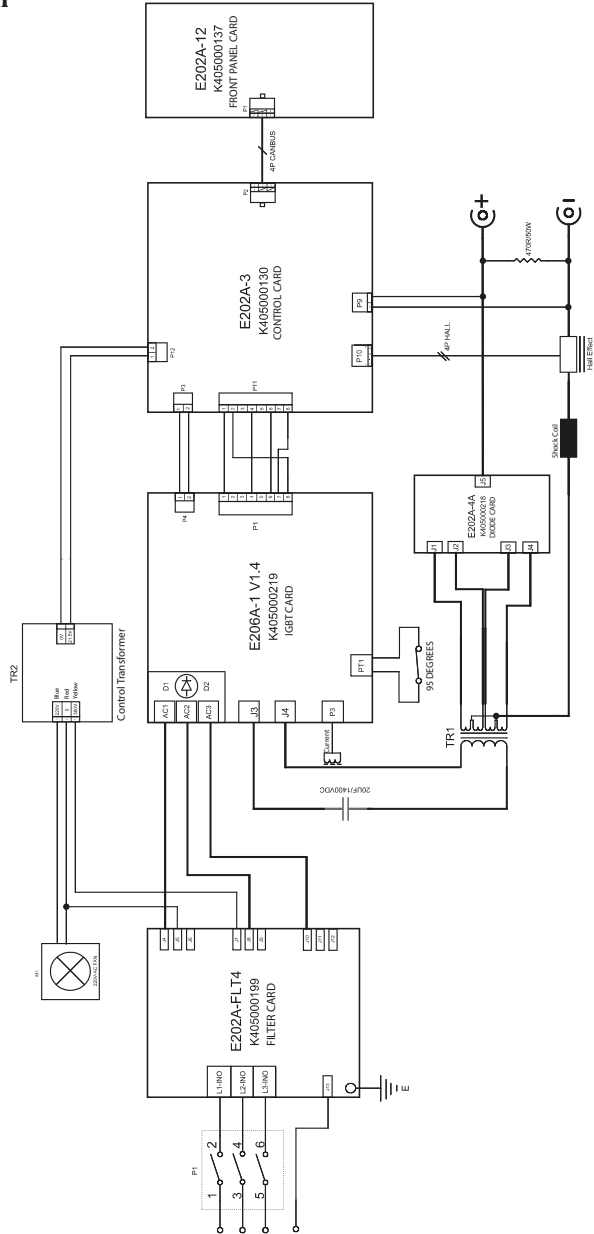
NO	DEFINITION	ID 400E
1	Potency Button Small	A229500001
2	Potency Button Big	A229500002
3	Welding Socket	A377900106
4	Cooling Fan	A250200015
5	Pacco Switch	A308033005
6	Control Transformer	A366100004
7	Hall Effect Sensor	A830900008
8	Electronic Card E202A-3-400	K405000130
9	Electronic Card E202A-12	K405000137
10	Electronic Card E202A-FLT V1.1	K405000199
11	Electronic Card E202A-4A (400E V2)	K405000218
12	Electronic Card E206A-1 V1.4 (400E V2)	K405000219
	Thermostat	A314800107
	Power Transformer	A366000025
	Ultrafast Rectifier	A430100012
	Choke Coil	A421000027

5.2 Connection Diagrams

Block Diagram



Circuit Diagram



PRODUCT INFORMATION**Model****Serial Number****MANUFACTURER****Name**

MAGMA MEKATRONİK MAKİNE SANAYİ VE TİCARET A.Ş.

Address

Organize Sanayi Bölgesi 5. Kısım MANİSA

Phone / E-mail

+90 236 226 27 00 / info@magmaweld.com

PURCHASE INFORMATION**Dealer Name****City / Country****Phone / E-mail****Purchase Date****CUSTOMER INFORMATION****Company Name****City / Country****Phone / E-mail****Contact Name****SERVICE INFORMATION (if applicable)****Company Name****Technician's Name****Commissioning Date**
(Warranty Start Date)

Please visit our web site www.magmaweld.com/warranty-terms/wt for warranty terms.

 **SOMMAIRE**

	CONSIGNES DE SÉCURITÉ	26
1	SPÉCIFICATIONS TECHNIQUES	
1.1	Explications Générales	32
1.2	Composants	32
1.3	Étiquette du Produit	33
1.4	Caractéristiques Techniques	34
1.5	Accessoires	34
2	INSTALLATION	
2.1	Considérations Relatives à la Réception du Poste de Soudage	35
2.2	Conseils d'Installation et de Fonctionnement	35
2.3	Branchements Électriques	36
2.4	Branchement au Réseau	36
2.5	Connexions pour le Soudage À l'Arc	36
2.6	Connexions pour le Soudage TIG	36
3	UTILISATION	
3.1	Interface Utilisateur	37
3.2	Soudage à l'électrode enrobée	38
3.3	Soudage TIG par contact	38
3.4	Télécommande (en option)	38
4	MAINTENANCE ET DÉFAILLANCES	
4.1	Maintenance	39
4.2	Codes d'incident	40
5	ANNEXE	
5.1	Listes des Pièces Détachées	41
5.2	Schémas de connexion	42

✓ CONSIGNES DE SÉCURITÉ

Respectez toutes les consignes de sécurité du manuel!

Informations sur la Sécurité



- Les pictogrammes de sécurité utilisés dans le présent manuel sont destinés à identifier les dangers potentiels.
- Si un pictogramme de sécurité apparaît dans le présent manuel, cela signifie qu'il existe un risque de blessure et que les dangers éventuels doivent être écartés en lisant attentivement les explications fournies.
- Le propriétaire de la machine est responsable d'empêcher les personnes non autorisées d'accéder à l'équipement.
- Toute personne appelée à travailler avec cette machine doit posséder l'expérience en soudage / coupage ou avoir terminé avec succès la formation requise, lire le présent manuel d'utilisation avant de travailler et se conformer à tout moment aux consignes de sécurité.

Pictogrammes de Sécurité



ATTENTION

Indique une situation potentiellement dangereuse qui pourrait causer des blessures ou des dommages. Le fait de ne pas prendre de précautions peut causer des blessures ou des pertes ou dommages matériels.



REMARQUE

Indique des informations et des avertissements concernant l'utilisation de la machine.



DANGER

Indique une situation imminente dangereuse qui, si elle n'est pas évitée, entraînera une blessure grave ou mortelle.

Prise de connaissance des consignes de sécurité



- Veuillez lire attentivement le présent manuel d'utilisation, les étiquettes et les consignes de sécurité se trouvant sur la machine.
- Assurez-vous que les étiquettes d'avertissement sur la machine sont en bon état. Remplacez les étiquettes manquantes ou endommagées.
- Veuillez prendre connaissance des informations concernant l'utilisation et les procédés de vérification de votre machine.
- Utilisez votre machine dans des environnements de travail appropriés.
- Des modifications inappropriées à votre machine peuvent avoir un impact négatif sur la sécurité de fonctionnement et la durée de vie de votre machine.
- Le fabricant ne pourra pas être tenu responsable des conséquences du fonctionnement de l'appareil en dehors des conditions préconisées.

L'électrisation peut entraîner la mort



Veuillez à ce que les procédures d'installation soient conformes aux normes nationales en matière d'électricité et aux autres règlements pertinents. L'installation de la machine doit être effectuée par des personnes autorisées.

- Porter un tablier de travail et des gants de protection secs offrant une bonne isolation. Ne jamais utiliser des gants et des tabliers de travail mouillés ou endommagés.
- Porter des vêtements de protection ignifuges contre le risque de brûlure. Les vêtements utilisés par l'opérateur doivent être protégés contre les étincelles, les projections et le rayonnement d'arc.
- Ne travaillez pas seul. Soyez sûr d'avoir quelqu'un qui peut vous aider en cas de danger dans votre lieu de travail.
- Ne touchez pas l'électrode avec la main nue. Ne laissez pas être en contact la pince d'électrode ou l'électrode avec quelqu'un ou avec un objet alimentaire.
- Ne touchez aucun composant électrique.
- Ne touchez pas l'électrode si vous êtes en contact avec l'électrode reliée à la surface de travail, au plancher ou à une autre machine.
- Vous pouvez vous protéger d'une électrisation potentielle en vous isolant de la surface de travail et du sol. Utilisez un matériau isolant non inflammable, électriquement isolant, sec et non endommagé, suffisamment grand pour couper le contact de l'opérateur avec la surface de travail.
- Ne connectez pas plus d'une électrode au porte-électrode.
- Placez bien la pince de masse métal-sur-métal sur votre objet de travail ou sur la table à souder.

- Vérifiez la torche avant d'utiliser la machine. Assurez-vous que la torche et ses câbles sont en bon état. Assurez-vous de remplacer une torche endommagée ou usée.
- Ne pas laisser toucher les deux pinces de masse connectés à deux différents postes. Ceci est dangereux vu qu'il y aura deux tensions en circuit ouvert.
- Gardez le poste éteint et déconnecter les câbles de soudage quand vous vous ne travaillez pas.
- Avant de réparer la machine, retirez toutes les connexions d'alimentation et / ou les connecteurs ou éteignez la machine.
- Soyez prudent lorsque vous utilisez un long câble secteur.
- Soyez sur que toutes les connexions sont bien serrées, propres et seches.
- Soyez sur que les câbles sont secs, sans graisses et protégés du métal chaud et des étincelles.
- Fil dénudé peut tuer. Contrôler fréquemment vos câbles de soudage. S'il y a des câbles endommagés ou non isolés, réparer ou échanger immédiatement les câbles.
- Isoler le câble de masse quand il n'est pas connecté à un objet de travail.
- Assurez-vous que la mise à la terre de la ligne d'alimentation est correctement connectée.
- N'utilisez pas le courant alternatif (AC) dans des endroits humides, mouillés ou confinés. Eviter également les endroits où il y aura un risque de chute.
- Le courant alternatif doit être utilisé uniquement s'il est nécessaire pour le procès de soudage.
- Si le courant alternatif est obligatoire pour votre travail, utilisez (si existe) votre télécommande pour régler votre poste.

Les précautions additionnelles sont nécessaires si une des conditions hasardeuses ci-dessous existe :

- Dans des endroits humides ou si vos habilles sont mouillés,
- Sur les structures métalliques comme les escaliers, les grilles ou les échafauds,
- Dans des positions comme assises, à genoux ou allongées,
- Quand il ya un grand risque d'accident ou d'un contact inévitable avec l'objet de travail ou la masse.

Pour les conditions mentionnées ci-dessus, utilisez les équipements ci-dessous dans l'ordre de présentation :

- Un poste MIG semi-automatique en courant continu (DC),
- Un poste à souder MMA en courant continu (DC),
- Un poste en courant continue ou alternatif avec la tension réduit à circuit ouvert (VRD).

Procédures à suivre en cas de l'électrocution



- Arrêtez le courant électrique.
- Utilisez des matériaux non conductibles comme le bois sec pour couper le contact de la victime avec les câbles ou les endroits alimentés.
- Appelez les services de secours.

Si vous avez suivi une formation aux premiers secours ;

- Si la victime ne respire plus, après avoir coupé le contact de la victime avec le courant, effectuez immédiatement la réanimation cardiorespiratoire (RCP). Continuez la RCP jusqu'au moment où la victime respire de nouveau ou les secours arrivent,
- Utilisez un défibrillateur automatique (DEA) selon les instructions indiquées dessus.
- Traiter une brûlure électrique comme une brûlure thermique. Appliquez des compresses stériles et froides.

Les pièces mobiles peuvent causer des blessures



- Éloignez-vous des objets en mouvement.
- Gardez tous les capots de protection tels que les portes, les panneaux, les portes des machines et des appareils fermés et verrouillés.
- Portez des chaussures à coque métallique à protection contre le risque de chute d'objets lourds.

La fumée et les gaz peuvent être nocifs pour votre santé



L'inhalation prolongée de la fumée et du gaz générés par le soudage / coupage et le découpage est très nocive pour la santé.

- La sensation de brûlure et l'irritation au niveau des yeux, des muqueuses nasales et des voies respiratoires sont des symptômes d'une ventilation inadéquate. Dans ce cas, veuillez augmenter immédiatement le niveau de ventilation de la zone de travail et arrêter le processus de soudage / coupage si le problème persiste.
- Créez un système d'aération naturelle ou artificielle dans la zone de travail.
- Utilisez un système d'absorption de fumée approprié à l'endroit où le soudage / coupage et le découpage sont effectués. Si nécessaire, installez un système adéquat pour éliminer les fumées et les gaz accumulés dans l'ensemble de l'atelier. Utilisez un système de filtration approprié pour éviter de polluer l'environnement lors du rejet.
- Si vous travaillez dans des espaces étroits ou confinés, ou que vous soudez du plomb, du béryllium, du cadmium, du zinc, des matériaux revêtus ou peints, utilisez une protection respiratoire autonome en plus des précautions susmentionnées.

- Si les bouteilles de gaz sont groupées dans une zone séparée, assurez-y une bonne ventilation, gardez les soupapes principales fermées lorsque les bouteilles de gaz ne sont pas utilisées, et surveillez les fuites de gaz éventuelles.
- Les gaz protecteurs tels que l'argon étant plus denses que l'air, ils peuvent être inhalés à la place de l'air s'ils sont utilisés à l'intérieur. Cela présente également un risque pour votre santé.
- Ne soudeuse / coupeuse pas dans des environnements contenant des vapeurs d'hydrocarbures chlorés libérées lors de la lubrification ou de la coloration.
- Certaines pièces soudées / coupées nécessitent une ventilation spéciale. Aération spéciale Les règles de sécurité des produits qui le nécessitent doivent être lues attentivement. Le masque à gaz doit être porté Dans de tels cas, un masque à gaz approprié doit être porté.

La lumière émise par l'arc peut endommager vos yeux et votre peau



- Pour protéger vos yeux et votre visage, utilisez un masque et un écran de protection en verre appropriés (4 à 13 selon la norme EN 379).
- Protégez les autres parties nues de votre corps (bras, cou, oreilles, etc.) contre ces rayons à l'aide des vêtements de protection adéquats.
- Munissez votre plan de travail d'écrans anti-flammes au niveau des yeux et accrochez des panneaux d'avertissement afin que les gens autour de vous ne soient pas exposés aux rayons de l'arc et métaux chauds.
- Cette machine n'est pas destinée à chauffer des tuyaux gelés. Ce procédé provoquera une explosion, un incendie ou des dommages à votre installation.

Les étincelles et les protections de pièces peuvent blesser vos yeux



- Les procédés tels que le soudage / coupeuse, le meulage, le brossage de la surface peuvent générer des étincelles et des projections de particules métalliques. Portez des lunettes de protection homologuées munies de bordures de protection sous le masque de soudeuse afin de prévenir les blessures éventuelles.

Les surfaces chaudes peuvent causer de brûlures graves



- Ne touchez pas les pièces chaudes à mains nues.
- Avant d'intervenir sur les pièces de la machine, attendez un certain temps pour les laisser refroidir.
- Si vous devez manipuler les pièces chaudes, portez des outils appropriés, gants de soudage / coupeuse à isolation thermique et vêtements résistant au feu.

Le bruit peut altérer votre capacité d'ouïe



- Le bruit créé par certains équipements et processus peut altérer l'ouïe.
- Si le niveau de bruit est élevé, portez des protège-oreilles agréés.

Le fil de soudage peut causer des blessures



- Ne maintenez pas la torche contre une partie du corps, d'autres personnes ou tout autre métal lors du dévidage du fil de soudage.
- Lors de l'ouverture manuelle du fil de soudage à partir de la bobine - en particulier pour les diamètres minces - le fil peut être éjecté de votre main comme un ressort, ce qui pourrait vous blesser ou blesser des tiers, protégez particulièrement vos yeux et votre visage lors de cette manipulation.

Le procédé de soudage / coupeuse peut entraîner des incendies et des explosions



- Ne jamais souder à proximité de matériaux inflammables. Un incendie ou des explosions peuvent se produire.
- Enlevez ces matériaux de l'environnement avant de commencer à soudeuse / coupeuse ou couvrez-les avec des couvertures protectrices pour éviter les brûlures.
- Les règles nationales et internationales spécifiques s'appliquent dans ces domaines.

- Ne procédez à aucune opération de soudage / coupeuse et ni de découpage sur des tubes ou des tuyaux entièrement fermés.
- Avant de soudeuse / coupeuse des tubes et des contenants fermés, ouvrez-les, videz-les complètement, ventilez-les et nettoyez-les. Prenez toutes les précautions nécessaires lors d'un soudage / coupeuse dans ces types d'endroits.
- Ne soudez pas les tubes ou les tuyaux destinés aux substances susceptibles de provoquer une explosion, un incendie ou d'autres réactions, même s'ils sont vides.
- L'équipement de soudage / coupeuse chauffe. Par conséquent, ne le placez pas sur des surfaces qui peuvent facilement être brûlées ou endommagées !

- Les étincelles générées lors du soudage peuvent provoquer un incendie. Par conséquent, gardez un extincteur, de l'eau, du sable et autres matériaux à portée de la main.
- Utilisez des clapets anti-retour, régulateurs de gaz et vannes sur les circuits de gaz inflammables, explosifs et pressurisés. Assurez-vous de leurs vérifications périodiques soient effectuées et qu'elles fonctionnent correctement.

La maintenance des machines et appareils par des personnes non autorisées peut causer des blessures



- Les équipements électriques ne doivent pas être réparés par des personnes non autorisées. Les erreurs éventuelles peuvent entraîner des blessures graves, voire mortelles, lors de l'utilisation.
- Les éléments du circuit de gaz fonctionnent sous pression; l'intervention de personnes non autorisées peut causer des explosions et des blessures graves pour les utilisateurs.
- Il est recommandé d'effectuer la maintenance technique de la machine et de ses unités auxiliaires au moins une fois par an.

Soudage / Coupage dans des endroits confinés



- Effectuez les opérations de soudage / coupage et de découpage dans des espaces confinés et de petits volumes et en compagnie d'une autre personne.
- Évitez autant que possible le soudage / coupage et le découpage dans des endroits fermés.

Le fait de ne pas prendre les précautions nécessaires lors du transport peut causer des accidents



- Prenez toutes les précautions nécessaires pour le transport de la machine. Les zones à transporter; les équipements à utiliser pour le transport et les conditions physiques et la santé de la personne chargée de la manutention doivent être conformes au processus de transport.
- Certaines machines étant extrêmement lourdes, il est important de veiller à ce que les précautions nécessaires en matière de sécurité environnementale soient prises pour la manutention.
- Si la machine de soudage doit être utilisée sur une plateforme, la capacité de charge de la plateforme doit être vérifiée.
- En cas d'utilisation d'un véhicule (chariot, chariot élévateur à fourche, etc.) lors du transport de la machine, assurez-vous que le véhicule et les accessoires d'élingage et d'arrimage (élingues, sangles d'arrimage, boulons, écrous, roues, etc.) reliant la machine au véhicule sont intacts.
- S'il s'agit d'un transport manuel, assurez-vous que les accessoires d'élingage et d'arrimage (élingues, sangles d'arrimage, etc.) et leurs connexions soient bien fixées.
- Afin de garantir les conditions de transport nécessaires, consultez les règles de l'Organisation Internationale du Travail sur le poids du transport et les réglementations en vigueur dans votre pays.
- Utilisez toujours des poignées ou des anneaux pour le déplacement du bloc d'alimentation. Ne tirez jamais sur les torches, les câbles ou les tuyaux. Transportez toujours les bouteilles de gaz séparément.
- Avant de transporter le matériel de soudage / coupage et de découpe, débranchez toutes les connexions intermédiaires, puis soulevez et transportez les petites pièces séparément en les tenant par leurs poignées, et les grandes à l'aide d'un équipement de manutention approprié tel que des anneaux de transport ou des chariots élévateurs.

La chute de pièces peut causer des blessures



Ne pas positionner correctement l'alimentation électrique ou tout autre équipement peut causer des blessures graves et des dommages matériels.

- Installer votre machine sur des sols et des plateformes avec une inclinaison maximale de 10° pour éviter les chutes et les renversements. Préférez les zones immobiles, mais vastes, facilement ventilées et sans poussière, qui ne génèrent pas le flux de matériaux. Disposez les câbles et tuyaux de telle manière que personne ne puisse les piétiner ou trébucher dessus. Pour éviter que les bouteilles de gaz ne se renversent, fixez-les sur la plate-forme pour les machines équipées d'une plate-forme à gaz adaptée à la bouteille et sur le mur à l'aide d'une chaîne pour les installations fixes afin d'éviter tout basculement.
- Les opérateurs doivent facilement et rapidement accéder aux paramètres de commande et connexions de la machine.

Une utilisation excessive provoque la surchauffe de la machine"



- Laissez la machine refroidir en fonction des cycles de fonctionnement.
- Réduisez le courant ou le taux de cycle de fonctionnement avant de recommencer le soudage.
- Ne bloquez pas les entrées de ventilation de la machine.
- Ne placez pas de filtre sur les entrées de ventilation de la machine sans l'approbation du fabricant.

Le soudage à l'arc peut causer des interférences électromagnétiques



Cet appareil n'est pas conforme à la norme CEI 61000-312. Si vous souhaitez vous connecter au réseau basse tension utilisé dans les maisons, l'installateur ou la personne qui utilisera la machine doit être familiarisé avec la connexion de la machine, dans ce cas la responsabilité appartient à l'opérateur.

- Assurez-vous que la zone d'exploitation soit conforme à la compatibilité électromagnétique (CEM). Les interférences électromagnétiques qui peuvent se produire lors du soudage / coupage ou du découpage peuvent causer des effets indésirables sur vos appareils électroniques et votre secteur. Les effets qui peuvent se produire au cours du processus sont sous la responsabilité de l'opérateur.
- Si des interférences se produisent, des mesures supplémentaires peuvent être prises pour assurer la conformité, telles que l'utilisation de câbles courts, l'utilisation de câbles blindés, le transport de la machine à souder vers un autre endroit, l'enlèvement des câbles du dispositif et/ou de la zone affectée, l'utilisation de filtres, ou la protection CEM de la zone de travail.
- Effectuez les opérations de soudage / coupage le plus loin possible (100 m) de vos appareils électroniques sensibles pour prévenir les dommages CEM potentiels.
- Assurez-vous que votre machine de soudage et de découpe est installée et placée conformément aux consignes d'utilisation.

Conformément à l'article 5.2 de CEI 60974-9 ;

Évaluation de la compatibilité électromagnétique du champ de fonctionnement



Avant d'installer la machine de soudage / coupage et de découpe, le responsable du site et / ou l'opérateur doit vérifier les interférences électromagnétiques éventuelles dans l'environnement. Les conditions suivantes sont à considérer ;

- Autres câbles d'alimentation, câbles de commande, câbles de signalisation et câbles téléphoniques au-dessus, au-dessous et à côté de la machine et du matériel de soudage / coupage,
- Émetteurs et récepteurs de radio et de télévision,
- Matériel informatique et autre matériel de contrôle,
- Équipements de sécurité critiques, par exemple protection de l'équipement industriel,
- Appareils médicaux des personnes à proximité, tels que stimulateurs cardiaques et appareils auditifs,
- Équipement utilisé pour la mesure ou l'étalonnage,
- Immunité des autres équipements dans l'environnement. L'opérateur doit s'assurer que tout autre matériel utilisé dans l'environnement soit compatible. Cela peut nécessiter des mesures de protection supplémentaires,
- Les limites de la zone d'inspection peuvent se varier en fonction du temps pendant lequel le procédé de soudage / coupage ou d'autres activités seront effectués pendant la journée, de la taille de l'environnement, de la structure du bâtiment et d'autres activités.

En plus de l'évaluation des conditions de la zone, l'évaluation de l'installation des appareils peut également être nécessaire pour résoudre l'effet perturbateur. Si nécessaire, des mesures sur site peuvent également être prises pour confirmer l'efficacité des mesures d'atténuation.

(Source: CEI 60974-9)

Moyens pour réduire les interférences



- La machine doit être branchée à un réseau électrique tel que recommandé et par une personne autorisée. En cas d'interférence, des mesures supplémentaires telles que le filtrage du réseau peuvent être mises en place. L'alimentation d'équipement de soudage à l'arc fixe doit être effectuée à partir du tube métallique ou un câble blindé équivalent. Une connexion et un bon contact électrique doivent être assurés entre le blindage et le boîtier de l'alimentation.
- L'entretien de routine recommandé pour la machine doit être effectué. Lors de l'utilisation de la machine, tous les capots de protection doivent être fermés et / ou consignés. Aucun changement ni modification autre que les réglages standards ne doivent être effectués sur la machine sans l'approbation écrite du fabricant. Sinon, l'opérateur sera responsable de toutes les conséquences.
- Les câbles de soudage / coupage doivent être aussi courts que possible. Le cheminement des câbles sur le sol de la zone de travail doit être parallèle. Les câbles de soudage ne doivent en aucun cas être enroulés autour du corps.
- Un champ magnétique se forme dans la machine lors du soudage / coupage. Cela peut amener la machine à tirer les pièces métalliques sur elle-même. Afin d'éviter ce phénomène, assurez-vous que les matériaux métalliques soient à une distance de sécurité et sécurisés. L'opérateur doit être isolé de tous ces matériaux métalliques interconnectés.

- Toutefois, dans certains pays où la connexion directe n'est pas autorisée, la connexion peut être établie à l'aide d'éléments de capacité appropriés, conformément aux réglementations locales en vigueur. Le blindage et la protection d'autres périphériques et câbles dans la zone de travail peuvent prévenir les effets perturbateurs. Le cas échéant, la connexion entre la pièce à usiner et la terre peut être réalisée sous forme de connexion directe. Toutefois, dans certains pays où la connexion directe n'est pas autorisée, la connexion peut être établie à l'aide d'éléments de capacité appropriés, conformément aux réglementations locales en vigueur.
- Le blindage et la protection d'autres périphériques et câbles dans la zone de travail peuvent prévenir des effets perturbateurs. Le blindage de toute la zone de soudage / coupage peut être évalué pour certaines applications spécifiques.

Magnétique électromagnétique (CEM)



Le courant électrique passant par n'importe quel conducteur crée des champs électriques et magnétiques régionaux (CEM). Les opérateurs doivent suivre les procédures suivantes afin de minimiser les risques engendrés par l'exposition aux CEM du circuit de soudage :

- Afin de réduire le champ magnétique, les câbles de soudage / coupage doivent être rassemblés et fixés autant que possible avec des équipements de fixation (ruban, serre-câbles, etc.).
- Le corps et la tête de l'opérateur doivent être tenus aussi loin que possible de la machine à soudage / coupage et des câbles.
- Les câbles électriques et de soudage / coupage ne doivent jamais être enroulés autour du corps du poste à souder.
- Le corps ne doit pas rester entre les fils de soudage / coupage. Les câbles de soudage doivent être tenus à l'écart du qq corps, côte à côte.
- Le câble de retour doit être connecté à la pièce à usiner aussi près que possible de la zone soudage / coupage.
- Ne vous appuyez pas sur le groupe électrogène de soudage, ne vous asseyez pas dessus et ne travaillez pas trop près.
- Le soudage / coupage ne doit pas être effectué pendant le transport de l'unité d'alimentation en fil de soudage / coupage ou du bloc d'alimentation en courant de soudage.

Les CEM peuvent également perturber le fonctionnement des implants médicaux (substance placée à l'intérieur du corps), tels que les stimulateurs cardiaques. Des mesures de protection doivent être prises pour les personnes portant des implants médicaux. Par exemple, l'accès dans la zone du travail pourraient être restreint pour les passants, ou des évaluations individuelles des risques pourraient être effectuées pour les soudeurs. Une évaluation des risques doit être effectuée par un spécialiste médical pour les utilisateurs d'implants médicaux.



- N'exposez pas la machine à la pluie, empêchez les éclaboussures d'eau ou de la vapeur pressurisée d'y pénétrer.

Efficacité Énergétique



- Choisissez la méthode et la machine de soudage / coupage appropriées pour votre soudage.
- Sélectionnez le courant et/ou la tension de soudage / coupage en fonction du matériau et de l'épaisseur auxquels vous soudez.
- Si vous devez attendre longtemps pour le soudage / coupage, éteignez la machine une fois que le ventilateur l'a refroidie. Nos machines (produits) munies d'un système de ventilateur intelligent s'arrêteront automatiquement.

Procédure relative aux déchets



- Cet appareil n'est pas un déchet ménager. Elle doit être déposée dans un centre de recyclage agréé dans le cadre de la directive de l'Union Européenne et du droit national.
- Renseignez-vous auprès de votre revendeur et des personnes autorisées sur la gestion des déchets de votre machine usagée.

FORMULAIRE DE GARANTIE



Pour le formulaire de garantie, visitez notre site web www.magmaweld.fr/formulaire-de-garantie/wr.

SPÉCIFICATIONS TECHNIQUES

1.1 Explications Générales

ID 400E est une technologie d'onduleur triphasé à sortie CC, facilement portable, capable de brûler des électrodes enrobées jusqu'à 6,0 mm. Grâce à l'optimisation de la technologie de l'onduleur avec caractéristiques de soudage vertical, il donne un arc stable et de bonnes performances de réallumage. Il existe 3 modes pour fournir des caractéristiques d'arc optimales pour toutes les électrodes à revêtement rutile, basique et cellulosique. Avec le bouton Hot Start, la capacité d'allumage des électrodes est augmentée, avec le bouton Arc Force, la tendance des électrodes à court-circuiter et à coller au bain de fusion peut être réduite. Il peut également être utilisé comme machine de soudage TIG DC en initiant l'arc en touchant la pointe en tungstène sur la pièce à travailler avec une torche TIG à valve. L'ID 400E peut également être utilisé avec des câbles de soudage jusqu'à 25 mètres de long. Il permet le contrôle à distance du courant de soudage avec des options de télécommande filaire et sans fil en option. La machine est refroidie par ventilateur et protégée thermiquement contre la surchauffe.

1.2 Composants

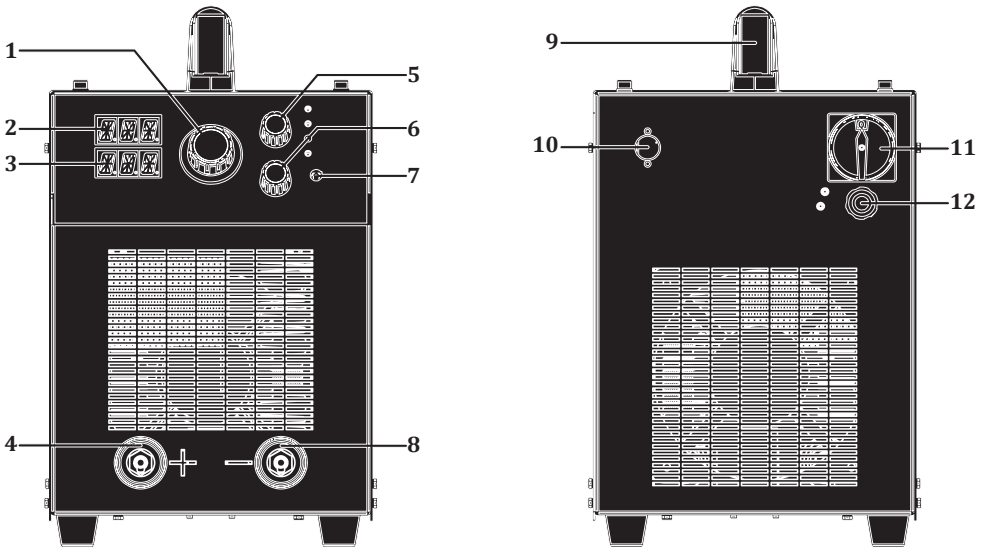


Figure 1 : ID 400E

- | | |
|---|---|
| 1- Potentiomètre | 7- Bouton de sélection du mode de soudage |
| 2- Affichage numérique | 8- Prise de Câble de Masse et de Câble de Soudage (-) |
| 3- Affichage numérique | 9- Poignée |
| 4- Prise de Câble de Masse et de Câble de Soudage (+) | 10- Entrée du connecteur de la télécommande |
| 5- Pot de réglage du démarrage à chaud | 11- Interrupteur d'Alimentation |
| 6- Pot de réglage de la force de l'arc | 12- Entrée de Cable Electrique |

1.3 Étiquette du Produit

MAGMA MEKATRONİK MAKİNE SAN. VE TİC. A.Ş. Organize Sanayi Bölgesi 5.Kısım Manisa-TÜRKİYE											
ID 400 E				Seri No:							
				EN 60974-1 / EN 60974-10 / Class A							
		5A / 20.2V - 400A / 36V						5A / 10.2V - 400A / 26V			
		X	35%	60%	100%			X	35%	60%	100%
	$U_0=86V$	I_2	400A	306A	237A		$U_0=86V$	I_2	400A	306A	237A
		U_2	36V	32.2V	29.5V			U_2	26V	22.2V	19.5V
		I_1	33.2A	25A	19.1A			I_1	26.5A	19.5A	14A
		S_1	22.9kVA	17.2kVA	13.2kVA			S_1	18.3kVA	13.5kVA	9.7kVA
	$U_1=400V$ 3-50-60Hz	$I_{1max} = 33.2A$		$I_{1eff} = 19.6A$		$I_{1max} = 26.5A$		$I_{1eff} = 15.7A$			
		IP21S									

Transformateur Redresseur Triphasé

X Cycle de Fonctionnement



Soudage TIG

U_0 Tension de Fonctionnement à Vide



Soudage MMA

U_1 Tension et Fréquence du Secteur



Courant Continu

U_2 Tension Nominale de Soudage



Caractéristique Verticale

I_1 Courant d'entrée Assigné



Entrée Secteur -
Courant Alternatif Triphasé

I_2 Courant d'entrée Nominal

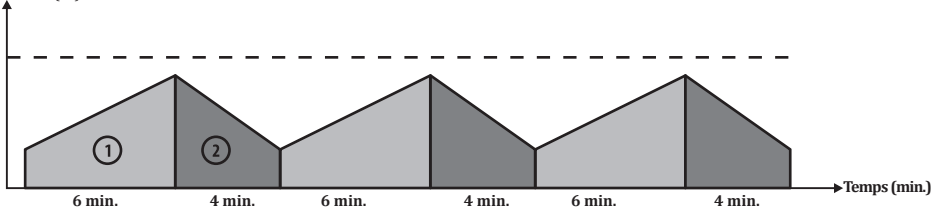


Compatible Pour Travailler dans des
Environnements Dangereux

S_1 Tension d'entrée Assignée

IP21S Classe de Protection

Cycle de Fonctionnement
Température (C°)



Le taux de cycle de fonctionnement comprend une période de 10 minutes, telle que définie dans l'EN 60974-1. Par exemple, si vous souhaitez travailler à 250 A sur un poste spécifié à 250 A à 60%, le poste peut souder / couper sans arrêt (zone 1) pendant les 6 premières minutes de la période de 10 minutes. Cependant, doit rester inactive pendant les 4 minutes suivantes pour se refroidir.

1.4 Caractéristiques Techniques

SPÉCIFICATIONS TECHNIQUES	UNITÉ	ID 400E
Tension Réseau (3 phase - 50-60 Hz)	V	400
Tension d'entrée Assignée	kVA	22.9
Zone d'ajustement de Courant de Soudage	ADC	5 - 400
Courant d'entrée Nominal	ADC	400 (%35)
Tension de Fonctionnement à Vide	VDC	86
Gamme de diamètre d'électrode de soudage	mm	1.60 - 6.00
Dimensions (l x l x h)	mm	585 x 307 x 515
Poids	kg	32
Classe de Protection		IP 21S

1.5 Accessories

ACCESSOIRES STANDARDS	QUANTITÉ	ID 400E
Pince et câble de pièce à usiner	1	7905203503 (35 mm ² - 3 m)
Pince et Câble de Masse	1	7906203503 (35 mm ² - 3 m)
ACCESSOIRES EN OPTION	QUANTITÉ	ID 400E
Télécommande 10m	1	7900000210
Télécommande 20m	1	7900000220
Télécommande 30m	1	7900000230
Télécommande 40m	1	7900000240
Télécommande 50m	1	7900000250
Chariot de Transport	1	7900000600
Grille (4, verticale)	1	7900000804
Grille (6, verticale)	1	7900000807
Grille (9, verticale)	1	7900000809
Torche TIG Lava 20V (4 m)	1	7111020004
Torche TIG Lava 20V (8 m)	1	7111020008

INSTALLATION

2.1 Considérations Relatives à la Réception du Poste de Soudage

FR

Assurez-vous que tous les composants que vous avez commandés soient livrés. Si un matériel quelconque est manquant ou endommagé, contactez immédiatement votre revendeur.

La boîte standard comprend les éléments suivants :

- Poste principale et câble secteur connecté
- Pince et Câble de Masse
- Pince et Câble d'Électrode
- Certificat de Garantie
- Manuel d'Utilisation

En cas de réception de la marchandise endommagée, prenez les photos des dégâts constatés et signalez-les au transporteur avec une copie du bon de livraison. Si le problème persiste, contactez le service client.

Symboles se trouvant sur le poste de soudage et leur signification



Le procédé de soudage est dangereux. Les conditions de travail appropriées doivent être fournies et les précautions nécessaires doivent être prises. Les experts sont responsables de la poste et doivent fournir le matériel nécessaire. Les personnes non concernées doivent être tenues à l'écart de la zone de soudage.



Ce poste de soudage n'est pas conforme à la norme CEI 61000-3-12. Si vous souhaitez vous connecter au réseau basse tension utilisé dans les résidences, l'installateur ou la personne qui utilisera la poste doit être familiarisé avec la connexion de la poste, dans ce cas la responsabilité appartient à l'opérateur.



Il faut respecter les symboles de sécurité et les avertissements qui se trouvent sur le poste et dans le manuel d'utilisation et ne pas retirer les étiquettes.



Les grilles sont destinées à la ventilation. Les ouvertures ne doivent pas être recouvertes afin d'assurer un bon refroidissement et aucun corps étranger ne doit être y introduit.

2.2 Conseils d'Installation et de Fonctionnement

- Des anneaux de levage ou des chariots élévateurs doivent être utilisés pour déplacer la machine. Ne soulevez pas la machine avec la bouteille de gaz. Lorsque vous transportez manuellement des machines à souder portatives, des mesures doivent être prises conformément aux réglementations en matière de santé et de sécurité au travail. Les dispositions nécessaires doivent être prises sur le lieu de travail pour garantir que le processus de transport s'effectue dans le plus grand respect des conditions de santé et de sécurité. Des précautions doivent être prises en fonction des caractéristiques de l'environnement de travail et des exigences du travail. Placez la machine sur une surface dure, plane et lisse où elle ne risque pas de tomber ou de se renverser.
- Lorsque la température ambiante dépasse 40 °C, faites fonctionner la machine à un courant plus faible ou à un cycle de fonctionnement plus faible.
- Éviter de souder à l'extérieur en présence de vent et de pluie. Si le soudage est nécessaire dans de tels cas, protégez la zone de soudage et la poste à souder avec des rideaux et des auvents.
- Lors du positionnement de la poste, assurez-vous que les matériaux tels que les murs, les rideaux et les panneaux n'empêchent pas un accès facile aux commandes et aux connexions de la poste.
- Si vous soudez à l'intérieur, utilisez un système d'extraction de fumée approprié. S'il y a un risque de respirer des fumées et des gaz de soudage à l'intérieur, utiliser un appareil respiratoire.
- Suivez les taux de cycle de service spécifiés sur l'étiquette du produit. Le dépassement fréquent des taux de cycle de service peut endommager la poste et annuler la garantie.
- Un câble d'alimentation adapté à la valeur de fusible spécifiée doit être utilisé.
- Raccordez fermement le fil de terre aussi près que possible de la zone de soudure. Ne laissez pas le courant de soudage circuler sur des équipements autres que les câbles de soudage.
- Les câbles de soudage et le câble d'alimentation ne doivent pas être enroulés autour du corps de la poste pendant le fonctionnement.

2.3 Branchements Électriques



Pour votre sécurité, n'utilisez jamais le câble secteur de la poste sans fiche.

- Puisqu'il peut y avoir différentes prises en fonction de l'usine, des chantiers de construction et des ateliers, le câble d'alimentation est livré sans fiche. Une fiche adaptée à la prise doit être connectée par un électricien qualifié. Assurez-vous que le fil de la mise à la masse jaune/vert, marqué par \perp est présent.
- Après le raccordement de la fiche au câble, ne pas brancher le câble à la prise à ce stade.

2.4 Branchement au Réseau



Lorsque vous branchez la fiche d'alimentation dans la prise, assurez-vous que l'interrupteur d'alimentation est réglé sur « 0 ».

- Vérifier le triphasé avec un voltmètre avant de brancher la poste sur le secteur. Après avoir détecté que chaque phase est de 400 V (± 40 V), branchez la fiche dans la prise murale.
- Démarrez la poste avec l'interrupteur marche/arrêt.
- Éteignez la poste en remettant l'interrupteur en position « 0 » après avoir entendu le bruit du ventilateur et vu que les voyants de l'ampèremètre et du voltmètre sont allumés.

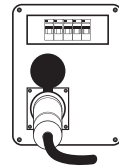


Figure 2 : Connexion secteur

2.5 Connexions pour le Soudage À l'Arc

- En fonction de la polarité de l'électrode à utiliser, insérer les câbles de soudage dans la prise appropriée et les serrer en tournant dans le sens des aiguilles d'une montre.
- Raccordez fermement la pince de mise à la terre à la pièce à travailler aussi près que possible de la zone de soudage.

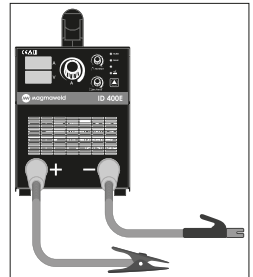


Figure 3 : Connexions de soudage MMA

2.6 Connexions pour le Soudage TIG

- Une torche TIG à valve doit être utilisée.
- Branchez le câble d'alimentation de la torche TIG sur la prise de soudage négative et le câble de terre sur la prise de soudage positive du poste de soudage.
- Installez le régulateur de gaz Argon sur la bouteille de gaz Argon.
- Connectez le tuyau de gaz de la torche au régulateur de gaz.



Figure 4 : Connexion de la bouteille de gaz

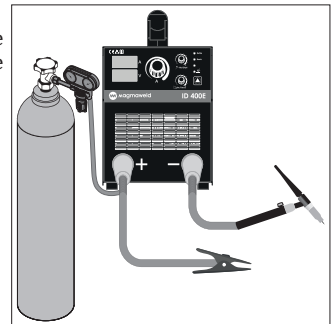
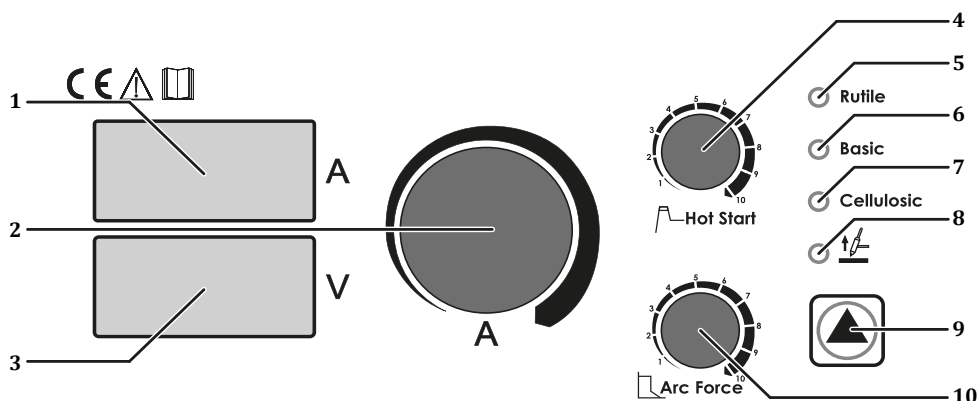


Figure 5 : Connexions de soudage TIG

UTILISATION

3.1 Interface Utilisateur



 **magmaweld**

ID 400E

1	Indicateur de courant Pendant le soudage, la machine affiche le courant de soudage, sinon le courant de soudage ajusté.
2	Bouton de réglage du courant Le courant de soudage est réglé dans la plage de 5 à 400 A.
3	Indicateur de tension Pendant que la machine soude, elle affiche la tension de soudage et la tension de fonctionnement au repos.
4	Bouton de démarrage à chaud Il est utilisé pour fournir un meilleur allumage dans les modes de soudage MMA.
5	Led d'électrode rutile Lorsque le soudage à l'électrode recouverte est effectué avec une électrode rutile, le mode de soudage est sélectionné avec le bouton de sélection.
6	Led d'électrode de base Lorsque le soudage à l'électrode enrobée doit être effectué avec une électrode de base, le mode de soudage est sélectionné avec le bouton de sélection.
7	Électrode Cellulosique Led Lorsque le soudage à l'électrode enrobée est effectué avec une électrode cellulosique, le mode de soudage est sélectionné avec le bouton de sélection.
8	Contactez le soudage TIG Led Lorsqu'un soudage TIG par contact doit être effectué, le mode de soudage est sélectionné avec le bouton de sélection.
9	Bouton de sélection du mode de soudage / Fonction VRD Il permet de sélectionner l'un des modes de soudage MMA et contact TIG ou d'accéder à la fonction VRD. Vous devez appuyer sur ce bouton et le maintenir enfoncé pendant 3 secondes pour accéder à la fonction VRD.

	Si vous souhaitez activer la fonction VRD, vous devez tourner le bouton 2 (Current Adjustment Knob) et tourner la fonction VRD sur la position On. De cette façon, la tension du courant de sortie chute en dessous de 12 Volts. Vous pouvez revenir à l'écran principal en appuyant à nouveau sur le bouton 9 (bouton de sélection du mode de soudage / fonction VRD). Lorsque vous souhaitez désactiver la fonction VRD, vous pouvez accéder à l'écran de la fonction VRD en appuyant sur le bouton 9 et en le maintenant enfoncé pendant 3 secondes. Vous devez tourner le bouton numéro 2 pour désactiver la fonction VRD. Pour revenir à l'écran principal, vous devez appuyer à nouveau sur la touche 9.
10	Bouton de force d'arc Il est utilisé dans les modes de soudage MMA pour réduire la tendance de l'électrode à coller au bain de soudure.

3.2 Soudage à l'électrode enrobée

- Sélectionnez l'un des modes de soudage à l'électrode enrobée (rutile, basique, cellulosique) avec le bouton de sélection du mode de soudage.
La LED du mode MMA que vous avez sélectionné s'allumera.
- Réglez le courant de soudage avec le bouton de réglage du courant.
- Le tableau ci-dessous se compose de valeurs approximatives pour le soudage d'électrodes en acier non allié. Suivez les recommandations du fabricant d'électrodes pour les paramètres exacts.

Diamètre MMA (mm)	Courant de soudage recommandé		
	Rutile	Basique	Cellulosique
2.0	40-60 A	-	-
2.5	60-90 A	60-90 A	60-100 A
3.25	100-140 A	100-130 A	70-130 A
4.0	140-180 A	140-180 A	120-170 A
5.0	200-240 A	200-250 A	160-200 A
6.0	260-300 A	-	-

- S'il y a des difficultés lors de l'allumage initial en raison de l'épaisseur du matériau ou du matériau froid, tournez le bouton **HOT START** dans le sens des aiguilles d'une montre. Lorsque le réglage **HOT START** est trop élevé, l'arc peut brûler la pièce.
- **ARC FORCE** peut être utilisé pour les électrodes qui ont tendance à coller au bain de soudure et à l'extinction de l'arc.
Tourner le bouton **ARC FORCE** dans le sens des aiguilles d'une montre réduira l'adhérence. À mesure que le niveau de **FORCE D'ARC** augmente, l'arc devient intense et le courant peut fluctuer.
- Commencez à souder. Vous pouvez suivre le courant de soudage instantané à partir de l'indicateur de courant et la tension de soudage à partir de l'indicateur de tension.

3.3 Soudage TIG par contact

- Sélectionnez le mode de soudage TIG par contact avec le bouton de sélection du mode de soudage. La led de soudage TIG par contact s'allumera.
- Réglez le courant de soudage avec le bouton de réglage du courant.
- Commencez à souder. Vous pouvez suivre le courant de soudage instantané à partir de l'indicateur de courant et la tension de soudage à partir de l'indicateur de tension.

3.4 Télécommande (en option)

- Il est possible de contrôler la machine à distance avec les options de télécommande filaire disponibles chez Magmaweld. Dans ce cas, la prise de commande appropriée doit être installée sur la machine par un atelier Magmaweld agréé.
- Lorsque la télécommande est connectée à la machine, le bouton de réglage de l'intensité de la machine est automatiquement désactivé et le réglage actuel est effectué avec la télécommande.



MAINTENANCE ET DÉFAILLANCES

- L'entretien et les réparations de la poste doivent être effectués par des personnes qualifiées. Magmaweld n'est pas responsable des accidents pouvant survenir à la suite d'interventions de personnes non autorisées.
- Vous pouvez vous procurer les pièces à utiliser pour les réparations auprès de nos services agréés. L'utilisation de pièces de rechange d'origine prolongera la durée de vie de votre poste et évitera les pertes de performances.
- Contactez toujours Magmaweld ou un service autorisé spécifié par Magmaweld.
- Toutes les dispositions de la garantie deviendront nulles en raison de toute interférence non autorisée par Magmaweld pendant la période de garantie.
- Assurez-vous de respecter les règles de sécurité applicables lors des travaux d'entretien et de réparation.
- Débranchez les fiches de la poste du secteur avant d'effectuer toute réparation et attendez 10 secondes que les condensateurs se déchargent.

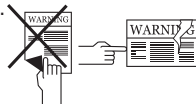
FR

4.1 Maintenance



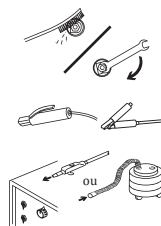
Maintenance Journalière

- Ne retirez pas les étiquettes d'avertissement. Remplacez les étiquettes usées/ déchirées par des neuves. Vous pouvez obtenir les étiquettes auprès de votre revendeur.
- Vérifiez la torche, les pinces et les câbles. Vérifiez le bon état et les fixations des composants. Remplacez les pièces endommagées ou défectueuses par des nouvelles. N'utilisez pas des rallonges pour les câbles et n'essayez jamais réparer un câble.
- Assurez-vous qu'il y a suffisamment d'espace pour la ventilation.
- Avant de commencer le soudage, vérifiez le débit de gaz de la pointe de la torche à l'aide d'un débitmètre. Si le débit de gaz est élevé ou faible, amenez-le au niveau adapté pour le soudage.



Tous Les 6 Mois

- Nettoyez et serrez les fixations telles que les boulons et les écrous.
- Vérifiez le fil de la pince à électrode et de la pince de masse.
- Ouvrez les capots latéraux de la poste et nettoyez-les à l'air sec à basse pression. N'appliquez pas d'air comprimé sur des composants électroniques à courte distance.
- Vérifiez la prise à laquelle la fiche d'alimentation du poste est connectée. Supprimez le jeu éventuel dans les points de connexion du câble d'alimentation de la prise. En cas d'arc ou d'expansion au niveau des connecteurs, remplacez la prise.
- Vérifiez la fiche d'alimentation du poste. Supprimez le jeu éventuel des points de connexion du câble d'alimentation. En cas d'arc ou d'expansion au niveau de la fiche, remplacez-la.



REMARQUE: Les délais mentionnés ci-dessus sont les périodes maximales à appliquer dans le cas où aucun problème ne se produit sur le poste. En fonction de la densité de votre activité et de la pollution de votre environnement de travail, vous pouvez répéter les opérations ci-dessus plus fréquemment.



Ne jamais procéder au soudage lorsque les couvercles du poste de soudage sont ouverts.

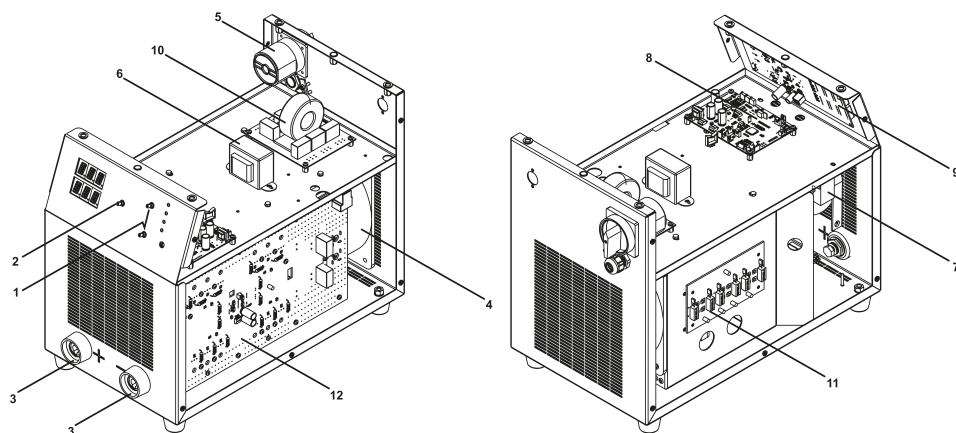
4.2 Codes d'incident

Code d'incident	Incident	Cause	Solution
ERR-T1	Erreur thermique	<ul style="list-style-type: none"> La machine est surchauffée en raison d'une température ambiante élevée ou d'un cycle de service supérieur 	<ul style="list-style-type: none"> Laissez la machine fonctionner un moment afin de se refroidir avec le ventilateur. Après avoir suffisamment refroidi, vous pouvez continuer à souder
E02	Erreur du module d'alimentation	<ul style="list-style-type: none"> Des erreurs/erreurs peuvent exister dans n'importe quelle carte électronique 	<ul style="list-style-type: none"> Éteignez et rallumez. Si l'erreur persiste, vérifiez si la tension secteur se situe dans la plage 340V-420V ou non. Si l'erreur persiste, contactez le service agréé
E04	Tension d'alimentation élevée	<ul style="list-style-type: none"> La tension secteur peut avoir augmenté 	<ul style="list-style-type: none"> Vérifier les câbles de raccordement secteur et la tension. Assurez-vous que la tension d'entrée correcte est fournie. Si la tension secteur est normale, contactez le service après-vente agréé
E08	Tension d'alimentation faible	<ul style="list-style-type: none"> La tension secteur peut avoir diminué 	<ul style="list-style-type: none"> Vérifier les câbles de raccordement secteur et la tension. Assurez-vous que la tension d'entrée correcte est fournie. Si la tension secteur est normale, contactez le service après-vente agréé

ANNEXE

5.1 Listes des Pièces Détachées

FR

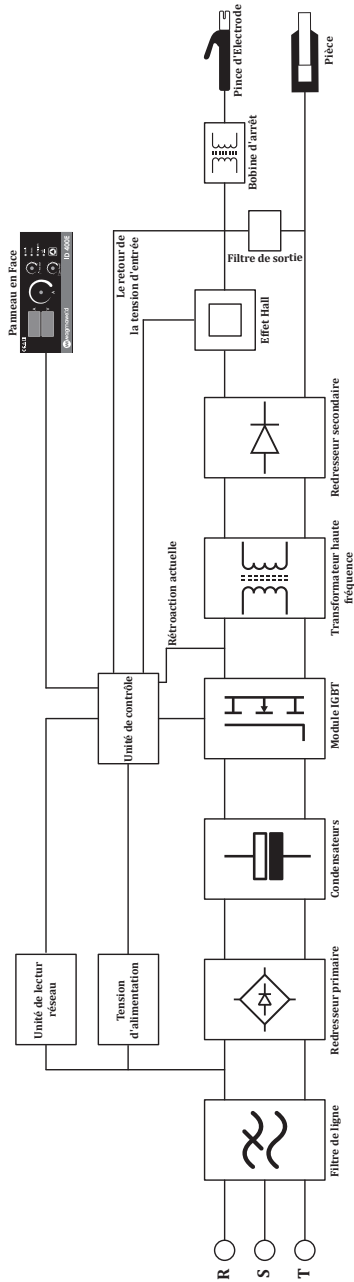


N°	DESCRIPTION	ID 400E
1	Bouton d'alimentation - Petit	A229500001
2	Bouton d'alimentation - Grand	A229500002
3	Prise de soudage	A377900106
4	Ventilateur monophasé	A250200015
5	Commutateur Pako	A308033005
6	Transformateur de contrôle	A366100004
7	Capteur d'effet Hall	A830900008
8	Carte électronique E202A-3-400	K405000130
9	Carte électronique E202A-12	K405000137
10	Carte électronique E202A-FLT V1.1	K405000199
11	Carte électronique E202A-4A (400E V2)	K405000218
12	Carte électronique E206A-1 V1.4 (400E V2)	K405000219
	Thermostat	A314800107
	Transformateur d'alimentation	A366000025
	Redresseur ultrarapide	A430100012
	Bobine d'arrêt	A421000027

5.2 Schémas de connexion

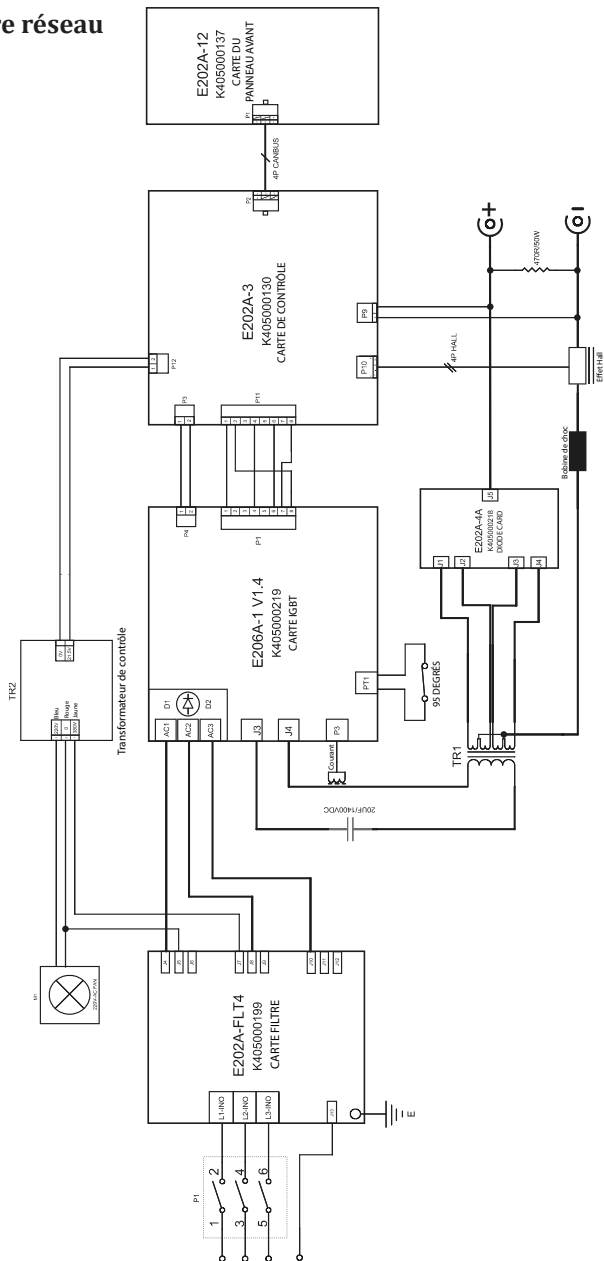
Diagramme

FR



Unité de lecture réseau

FR



INFORMATION PRODUIT

Modèle

Numéro de série

FABRICANT

Nom

MAGMA MEKATRONİK MAKİNE SANAYİ VE TİCARET A.Ş.

Adresse

Organize Sanayi Bölgesi 5. Kısım MANİSA

Téléphone / Courriel

+90 236 226 27 00 / info@magmaweld.com

INFORMATIONS D'ACHAT

Nom du revendeur

Ville / Pays

Téléphone / Courriel

Date d'achat

INFORMATIONS CLIENT

Nom de l'entreprise

Ville / Pays

Téléphone / Courriel

Nom du contact

INFORMATIONS SUR LA MISE EN ROUTE (le cas échéant)Nom de l'entreprise de la
mise en route

Nom du technicien

Date de la mise en route
(Date de début de garantie)

Veuillez visiter notre site web www.magmaweld.fr/conditions-de-garantie/wt
pour les conditions de garantie.

 **СОДЕРЖАНИЕ**

ПРАВИЛА ТЕХНИКИ БЕЗОПАСНОСТИ	48
1 ТЕХНИЧЕСКАЯ ИНФОРМАЦИЯ	
1.1 Общее Описание	55
1.2 Комплектующие Сварочного Аппарата	55
1.3 Этикетка Продукта	56
1.4 Технические Характеристики	57
1.5 Вспомогательные Устройства И Приспособления	57
2 ИНФОРМАЦИЯ ПО УСТАНОВКЕ И НАСТРОЙКЕ	
2.1 Этикетка Продукта	58
2.2 Рекомендации По Установке И Эксплуатации	58
2.3 Подсоединение Электрической Розетки	59
2.4 Подключение к сети	59
2.5 Соединения для сварки покрытым электродом	59
2.6 Подсоединения для TIG-сварки касанием электрода	60
3 ИНФОРМАЦИЯ ПО ЭКСПЛУАТАЦИИ	
3.1 Интерфейс Пользователя	61
3.2 Сварка покрытым электродом	62
3.3 TIG-сварка точечным касанием	62
3.4 Дистанционное управление (опционно)	62
4 ТЕХОБСЛУЖИВАНИЕ И УСТРАНЕНИЕ НЕИСПРАВНОСТЕЙ	
4.1 Техобслуживание	63
4.2 Коды неисправностей	64
5 ПРИЛОЖЕНИЕ	
5.1 Список Запасных Частей	65
5.2 Схемы подключения	66

ПРАВИЛА ТЕХНИКИ БЕЗОПАСНОСТИ

Соблюдайте все правила техники безопасности, указанные в этом руководстве!

Описание сведений по технике безопасности



- Знаки по технике безопасности, указанные в руководстве, используются для определения потенциальных источников опасности.
- При размещении какого-либо знака по технике безопасности в этом руководстве его следует понимать как указание на наличие риска телесных повреждений и во избежание потенциальной опасности внимательно ознакомиться с предоставленными далее пояснениями.
- Владелец оборудования несёт ответственность за предотвращение доступа посторонних лиц к оборудованию.
- Лица, осуществляющие эксплуатацию оборудования, должны иметь опыт или пройти полную подготовку по вопросу выполнения сварочных сварка / резка; перед работой на оборудовании ознакомьтесь с руководством по эксплуатации и соблюдайте инструкции по технике безопасности.

Описание знаков по технике безопасности

ВНИМАНИЕ



Указывает на потенциально опасную ситуацию, которая может привести к травме или повреждению. Несоблюдение этой меры предосторожности может привести к травме или потере/повреждению имущества.



ВАЖНО

Указывает на информацию и предупреждения, касающиеся эксплуатации.



ОПАСНОСТЬ

Указывает на серьёзную опасность. В случае непринятия мер может привести к смерти или серьёзным травмам.

Понимание предупреждений по технике безопасности



- Внимательно прочитайте руководство по эксплуатации, а также ознакомьтесь с маркировкой (ярлыком) и предупреждениями по технике безопасности, размещёнными на оборудовании.
- Убедитесь, что предупреждающая маркировка находится в надлежащем состоянии. Замените отсутствующие и повреждённые ярлыки.
- Ознакомьтесь со способом эксплуатации оборудования и правильными методами управления оборудованием.
- Осуществляйте эксплуатацию вашего оборудования в соответствующей одежде.
- Несоответствующие изменения, проводимые на вашем оборудовании, негативно скажутся на безопасной эксплуатации и сроке службы оборудования.
- Производитель не несёт ответственности за какие-либо последствия, возникающие в результате эксплуатации устройства за пределами вышеуказанных условий.

Поражение электротоком может привести к летальному исходу



Убедитесь, что процедуры установки соответствуют национальным электрическим стандартам и иным соответствующим нормам, а также обеспечьте установку оборудования компетентными лицами.

- Пользуйтесь сухими и неповреждёнными изолированными перчатками и рабочим фартуком. Запрещается использовать мокрые или повреждённые перчатки и рабочие фартуки.
- Носите огнестойкую защитную одежду, чтобы избежать ожогов. Одежда, используемая оператором, должна защищать от искр, брызг и излучения дуги.
- Не работайте в одиночку. В случае опасности убедитесь, что у вас есть помощник на рабочем месте.
- Не касайтесь электрода голыми руками. Не допускайте контакта держателя электрода или электрода с другими людьми или заземлёнными предметами.
- Никогда не прикасайтесь к частям, которые разносят электричество.
- Не прикасайтесь к электроду при контакте с электродом, подключённым к рабочей поверхности, полу или другому оборудованию.

- Вы можете защитить себя от возможных поражений электрическим током, изолировав себя от рабочей поверхности и пола. Используйте сухой, неповрежденный, невоспламеняющийся электроизоляционный материал таких размеров, чтобы он был пригодным для предотвращения контакта оператора с рабочей поверхностью.
- Не подключайте более одного электрода к держателю электрода.
- Подсоедините зажим заземления к заготовке или рабочему столу как можно ближе, чтобы обеспечить хороший контакт металла с металлом.
- Проверьте горелку перед работой со сварочным аппаратом. Убедитесь, что горелка и его кабели в хорошем состоянии. Обязательно замените поврежденную изношенную горелку.
- Не касайтесь держателей электродов, подключенных к двум сварочным аппаратам одновременно, так как будет присутствовать двойное напряжение холостого хода.
- Держите аппарат выключенным и отсоедините кабели, когда она не используется.
- Перед ремонтом машины отключите все электрические соединения и / или разъемы или выключите машину.
- Будьте осторожны при использовании длинного сетевого кабеля.
- Убедитесь, что все соединения чистые и сухие.
- Следите за тем, чтобы кабели были сухими, чистыми и обезжиренными, а также защищенными от горячего металла и искр.
- Оголенная проводка может убить. Часто проверяйте все кабели на предмет возможных повреждений. Если обнаружен поврежденный или неизолированный кабель, немедленно отремонтируйте или замените его.
- Если зажим заземления не подключен к заготовке, изолируйте его, чтобы предотвратить контакт с любым металлическим предметом.
- Убедитесь, что заземление линии питания подключено правильно.
- Не используйте источник переменного тока во влажных местах, сырых или перегруженных местах, а также в местах, где существует опасность падения.
- Используйте источник переменного тока ТОЛЬКО, если это необходимо для процесса сварки.
- Если требуется источник переменного тока, используйте дистанционное управление источником, если оно имеется на устройстве.

Дополнительные меры предосторожности требуются при наличии любого из следующих электрически опасных условий:

- во влажных местах или в мокрой одежде,
- на металлических конструкциях, таких как полы, решетки или строительные леса,
- когда вы находитесь в стесненном положении, например, сидя, на коленях или лежа,
- когда существует высокий риск неизбежного или случайного контакта с заготовкой или землей.

Для этих условий используйте следующее оборудование:

- Полуавтоматический аппарат для сварки MIG постоянного напряжения (CV),
- Ручной сварочный аппарат MMA постоянного тока,
- Сварочный аппарат постоянного или переменного тока с пониженным напряжением холостого хода (VRD), если имеется.

Процедуры при поражении электрическим током



- Отключите электричество.
- Используйте непроводящий материал, например сухую древесину, чтобы освободить пострадавшего от контакта с токоведущими частями или проводами.

Если у вас есть обучение оказанию первой помощи;

- Если пострадавший не дышит, проведите сердечно-легочную реанимацию (СЛР) сразу после разрыва контакта с источником электричества. Продолжайте СЛР (массаж сердца) до тех пор, пока не начнется дыхание или пока не прибудет помощь.
- Если имеется автоматический электронный дефибриллятор (AED), используйте его в соответствии с инструкциями.
- Относитесь к электрическому ожогу как к термическому ожогу, прикладывая стерильные холодные (ледяные) компрессы. Избегайте загрязнения и накройте чистой сухой повязкой.

Движущиеся части могут привести к телесным повреждениям



- Не приближайтесь к движущимся объектам.
- Закрывайте и запирайте все крышки, панели, дверцы и т.п. защитные приспособления оборудования и устройств.
- Носите ботинки с металлическим носком на случай падения тяжелых предметов.

Дым и газы могут нанести вред вашему здоровью



Во время выполнения сварки / резки и резки чрезвычайно опасно вдыхать дым и газ в течение длительного времени.

- Жжение и раздражение глаз, носа и горла указывают на недостаточность вентиляции. В этом случае необходимо незамедлительно улучшить уровень вентиляции и, если проблема не устранена, остановить сварку / резку.
- Предусмотрите на рабочем участке систему естественной или искусственной вентиляции.
- На участках выполнения сварки / резки или резки используйте соответствующую систему удаления дыма. При необходимости установите систему, которая обеспечит вывод дыма и газов, накапливающихся в цехе в целом. Во избежание загрязнения окружающей среды во время выброса газов используйте соответствующую систему фильтрации.
- При проведении работ в ограниченном пространстве или при выполнении сварки / резки материалов с покрытием из свинца, бериллия, кадмия, цинка, а также окрашенных материалов, помимо вышеуказанных мер предосторожности, используйте маски, обеспечивающие подачу свежего воздуха.
- Если газовые баллоны сгруппированы в отдельной зоне убедитесь в наличии хорошей вентиляции в этом помещении; закрывайте главные клапаны по окончании использования газовых баллонов, проверяйте баллоны на предмет утечки газа.
- Защитные газы (аргон и т.п.) плотнее воздуха и при использовании в помещении могут попадать в дыхательные пути вместо воздуха. Это опасно для вашего здоровья.
- Не проводите сварочные работы при наличии паров хлорированных углеводородов, выделяющихся во время смазочных и покрасочных работ.
- Некоторые сварные / вырезанные детали требуют специальной вентиляции. Следует внимательно прочитать правила безопасности продуктов, требующих специальной вентиляции. В случаях, когда требуется противогаз, следует надеть подходящий противогаз.

Излучение сварочной дуги может нанести вред вашим глазам



- Для защиты глаз и лица используйте соответствующую защитную маску и пригодный для маски стеклянный фильтр.
- Защищайте от этого излучения также другие части тела (руки, шею, уши и т.д.) соответствующей защитной одеждой.
- Для предупреждения возникновения у окружающих повреждений от воздействия сварочной дуги и горячих металлов, оградите ваш рабочий участок огнестойкими экранами высотой на уровне глаз и повесьте предупреждающие знаки.
- Оборудование не предназначено для нагревания замёрзших труб. Проведение таких работ сварочным аппаратом может привести к взрыву, пожару или повреждению вашего оборудования.

Искры и разбрызгивающиеся частицы могут нанести повреждения глазам



- При выполнении таких работ, как сварка, шлифовка или зачистка поверхности, могут образоваться искры и происходить разбрызгивание металлических частиц. Для предупреждения телесных повреждений надевайте под маску утверждённые к применению защитные рабочие очки с боковыми щитками.

Горячие детали могут привести к тяжёлым ожогам



- Не прикасайтесь к горячим деталям голыми руками.
- Перед работой с деталями оборудования подождите некоторое время, пока они остынут.
- При необходимости контакта с горячими деталями, используйте соответствующие инструменты, теплоизоляционные сварочные перчатки и огнеупорную одежду.

Повышенный Уровень Шума Может Нанести Вред Слуху



- Шум, выделяемый некоторым оборудованием и работами, может нанести вред слуху.
- При повышенном уровне шума используйте утверждённые к применению защитные наушники.

Сварочная проволока может нанести телесные повреждения



- При разматывании катушки сварочной проволоки не направляйте горелку на какую-либо часть тела, а также на других людей или какие-либо металлические предметы.
- При разматывании вручную катушки сварочной проволоки, особенно, небольшого диаметра, проволока может выскочить из ваших рук, как пружина, и травмировать вас или окружающих, поэтому при выполнении этих работ особое внимание уделите защите глаз и лица.

Сварка может привести к пожарам и взрывам



- Запрещается производить сварку вблизи легковоспламеняющихся материалов. Это может привести к пожару или взрыву.
- Перед проведением сварочных работ удалите эти предметы с участка или накройте их защитными покрытиями для предупреждения возгораний.
- На этих участках применяются специальные национальные и международные правила.

- Не производите сварку и резку полностью закрытых труб или трубок.
- Перед выполнением сварка / резка труб и закрытых емкостей откройте их, полностью опорожните, проветрите и очистите. Соблюдайте максимальную осторожность при выполнении сварка / резка на таких участках.
- Не производите сварку опорожнённых труб и трубок, которые ранее содержали вещества, способные вызвать взрыв, пожар или другие реакции.
- Сварочное оборудование имеет свойство нагреваться. Поэтому не размещайте его на легко воспламеняемых или легко повреждаемых поверхностях!

- Сварочные искры могут привести к возникновению пожара. По этой причине обеспечьте наличие в легко доступных для вас местах таких материалов, как огнетушители, вода и песок.
- Используйте обратные клапаны, газовые регуляторы и клапаны в сетях горючих, взрывоопасных газов и сжатого газа.

Выполнение технического обслуживания оборудования устройств некомпетентными лицами может привести к телесным повреждениям



- Запрещается привлекать некомпетентных лиц к ремонту оборудования. Ошибки, которые могут быть допущены при нарушении этого требования, могут привести к серьёзным травмам или летальному исходу.
- Элементы газовой сети работают под давлением; в результате манипуляций, производимых некомпетентными лицами, могут возникнуть взрывы, и пользователи могут получить серьёзные травмы.
- Рекомендуется производить обслуживание оборудования и его периферийных устройств не реже одного раза в год.

Сварка / Резка на небольших участках и участках с ограниченным пространством



- Выполняйте сварку/резку на небольших участках и участках с ограниченным пространством в присутствии ещё одного человека.
- По мере возможности избегайте проведения сварочных работ/резки в ограниченных пространствах.

Несоблюдение необходимых мер предосторожности при перемещении оборудования может привести к несчастным случаям



- При перемещении оборудования соблюдайте все необходимые меры предосторожности. Участки, на которых будет производиться перемещение, части, подлежащие перемещению, а также физическое состояние и здоровье людей, вовлечённых в процесс перемещении оборудования, должны соответствовать требованиям процедуры перемещения и транспортировки.
- Некоторое оборудование имеет большую массу, поэтому при перемещении убедитесь в принятии всех мер предосторожности по охране окружающей среды.
- Если сварочный аппарат предполагается использовать на платформе, необходимо убедиться в том, что такая платформа имеет соответствующие пределы нагрузки.
- При перемещении оборудования при помощи какого-либо механизма (тележка, вилочный погрузчик и пр.) убедитесь в надлежащем состоянии точек крепления механизма и оборудования (крепление подвесок, ремней для перемещения, болтов, гаек, колёс и т.п.).
- При выполнении перемещения вручную убедитесь в надлежащем состоянии приспособлений оборудования (подвески, ремни для перемещения и т.п.) и их креплений.

- С целью обеспечения необходимых требований для перемещения соблюдайте правила Международной организации труда в отношении веса перемещаемого оборудования, а также нормативы по перемещению оборудования, действующее в вашей стране.
- При перемещении источника питания используйте специальные приспособления (держатели или проушины). Запрещается перемещать оборудование, удерживая его за горелку, кабель или шланги. Перемещение газовых баллонов осуществляйте отдельно от всего оборудования.
- Перед перемещением сварочного и режущего оборудования демонтируйте все промежуточные соединения, осуществляйте поднятие и перемещение небольших частей посредством ручек, а более крупных частей с помощью соответствующих приспособлений (проушины) или вилочных погрузчиков.

Падение частей оборудования может привести к телесным повреждениям



Неправильное расположение источника питания или иного оборудования может привести к серьёзным травмам и повреждению имущества.

- Во избежание падений и опрокидывания вашего оборудование его необходимо разместить на основании (полу) или платформе с максимальным уклоном 10°. Это предупредит воспрепятствование подаче материала и риск застопоривания в кабелях и шлангах; предпочитайте для установки оборудования неподвижные широкие, не запылённые, легко вентилируемые участки. Во избежание опрокидывания газовых баллонов закрепите их, при наличии, на пригодной для баллонов платформе, находящейся на оборудовании, а при стационарном использовании, зафиксируйте баллон надёжным способом, прикрепив его к стене.
- Обеспечьте операторам лёгкий доступ к настройкам и подключениям на оборудовании.

Чрезмерная эксплуатация приводит к перегреву оборудования



- Обеспечьте остывание оборудования в соответствии с рабочим циклом.
- Перед повторным началом сварочных работ уменьшите коэффициент тока или загрузку рабочего цикла.
- Не закрывайте вентиляционные отверстия оборудования.
- Не устанавливайте фильтры в вентиляционные отверстия оборудования без разрешения производителя.

Дуговая сварка может вызвать электромагнитные помехи



- Данное устройство относится к группе 2, класс А в испытаниях электромагнитной совместимости (ЭМС) в соответствии со стандартом TS EN 55011.
- Данное устройства класса А не предназначено для эксплуатации в жилых помещениях с подачей электроэнергии от низковольтной сети. Возможны затруднения в достижении электромагнитной совместимости в связи с радиочастотными помехами, передача и распространение которых имеют место на таких участках.



Это устройство не соответствует стандарту IEC61000-3-12. При необходимости подключения к низковольтной сети, используемой в бытовых условиях, специалист, который будет осуществлять электрическое подключение, или лицо, которое будет эксплуатировать оборудование, должны быть осведомлены в вопросе особенности подключения оборудования, в этом случае пользователь несёт ответственность за проведение таких работ.

- Убедитесь, что рабочая зона соответствует электромагнитной совместимости (ЭМС). Электромагнитные помехи во время сварка / резка или резки могут вызвать нежелательные воздействия на ваши электронные устройства в вашей сети, и пользователь несёт ответственность за какие-либо помехи, которые могут возникнуть во время проведения работ.
- При возникновении каких-либо помех, могут быть приняты дополнительные меры для обеспечения совместимости в виде использования коротких кабелей, экранированных кабелей, перемещения сварочного аппарата в другое место, отдаления кабеля от оборудования и/или участка, попавшего под воздействие использования фильтров или защиты рабочего участка в аспекте ЭМС.
- Во избежание возможных повреждений в связи с нарушением ЭМС выполняйте сварочные работы как можно дальше (100м) от вашего чувствительного электронного оборудования.
- Убедитесь в установке и размещении вашего сварочного аппарата или газового резака в соответствии с руководством по эксплуатации.

Оценка электромагнитной совместимости рабочего участка



Согласно пункту 5.2 стандарта IEC 60974-9,

Перед установкой сварочного и режущего оборудования уполномоченное лицо предприятия и/ или пользователь должны произвести осмотр участка на предмет возможных электромагнитных помех на прилегающей территории. Необходимо обратить внимание на следующие вопросы:

- a) наличие других кабелей питания, кабелей управления, сигнальных и телефонных кабелей сверху, снизу и рядом со сварочным аппаратом и оборудованием;
- b) наличие радио- и телевизионных передатчиков и приемников;
- c) наличие компьютерного и иного оборудования, используемого для управления;
- d) наличие критического оборудования для обеспечения безопасности, например для защиты промышленного оборудования;
- e) наличие медицинских аппаратов (например, кардиостимуляторов и слуховых аппаратов), используемых населением на прилегающей территории;
- f) наличие оборудования, используемого для измерения или калибровки;
- g) невосприимчивость иного оборудования, находящегося на прилегающей территории. Пользователь должен убедиться, что иное оборудование, используемое на прилегающей территории, является совместимым. Это может потребовать дополнительных мер защиты;
- h) Границы рассматриваемого участка могут быть расширены в соответствии с размерами прилегающей территории, конструкцией зданий и иными работами, выполняемыми в здании, с учётом времени, в течение которого предполагается производить сварочные или иные работы в течение дня.

В дополнение к оценке участка также может потребоваться оценка мест установки устройств с целью устранения нарушающего совместимость воздействия. При необходимости, для подтверждения эффективности мер по снижению воздействия также можно провести измерения на месте. (Источник: МЭК 60974-9).

Методы снижения помех



- Устройство должно быть подключено к источнику питания компетентным специалистом в соответствии с рекомендациями. При возникновении помех могут применяться дополнительные меры, такие как фильтрация сети. Электропитание оборудования для дуговой сварка / резка с фиксированным креплением должно осуществляться при помощи кабеля, проложенного через металлическую трубу или эквивалентного экранированного кабеля. Необходимо подключить экран и корпус источника питания, и между этими двумя конструкциями должен быть обеспечен хороший электрический контакт.
- Необходимо выполнять рекомендуемое плановое обслуживание устройства. При эксплуатации устройства должны быть закрыты и/или заперты все крышки корпуса оборудования. Без письменного разрешения производителя в устройство запрещается вносить какие-либо изменения или модификации, отличные от стандартных настроек. В противном случае вся ответственность за какие-либо последствия возлагается на пользователя.
- Сварочные кабели должны быть максимально короткими. Кабели должны выходить из пола рабочего участка бок о бок. Наматывание сварочных кабелей запрещено.
- Во время сварки / резки в оборудовании генерируется магнитное поле. Это может привести к притяжению оборудования металлическими предметами.
Для предотвращения этого убедитесь в размещении металлических материалов на безопасном расстоянии или в надёжной фиксации таких материалов. Оператор должен быть изолирован от всех таких взаимосвязанных металлических материалов.
- В случае отсутствия заземления обрабатываемого объекта или изделия, по соображениям электрической безопасности или в связи с его габаритными размерами и положением (например, при изготовлении корпуса судна или стальной конструкции), подключение между обрабатываемым объектом или изделием и землёй в некоторых случаях может снизить выбросы, и необходимо помнить, что заземление обрабатываемого объекта или изделия может привести к телесным повреждениям пользователя или неисправностям иного электрического оборудования, находящегося на прилегающей территории. При необходимости, заземление обрабатываемого объекта или изделия может быть выполнено прямым способом, но в некоторых странах, в которых прямое заземление запрещено, подключение может быть создано при помощи соответствующих элементов ёмкости в соответствии с местными нормами и правилами.
- Экранирование и защита других устройств и кабелей на рабочем участке может предотвратить возникновение воздействий, нарушающих совместимость. Для некоторых случаев может рассматриваться полное экранирование участка сварки / резки.

Дуговая сварка может создавать электромагнитное поле (ЭМП)



Электрический ток, проходящий через какой-либо проводник, создаёт локальные электрические и магнитные поля (ЭМП). Все сварщики должны применять следующие процедуры с целью минимизации риска воздействия ЭМП от сварочной цепи:

- Для уменьшения магнитного поля сварочные кабели должны быть объединены и как можно более надёжно закреплены с помощью крепёжных материалов (ленты, кабельные стяжки и т.п.).
- Тело и голова сварщика/рабочего должны находиться как можно дальше от сварочного аппарата и кабелей.
- Сварочные и электрические кабели ни в коем случае нельзя наматывать на корпус аппарата.
- Тело сварщика не должно находиться между сварочными кабелями. Оба сварочных кабеля должны находиться вдали от тела сварщика, рядом друг с другом.
- Обратный кабель должен быть подключён к обрабатываемому объекту или изделию максимально близко к участку сварки / резки.
- Запрещается опираться, садиться на источник питания сварочного аппарата, а также работать в непосредственной близости к нему.
- Запрещается производить сварки / резки во время перемещения устройства подачи сварочной проволоки или источника питания сварочного аппарата.

ЭМП также может нарушать работу медицинских имплантатов (кардиостимуляторы и т.п.). В виду этого для людей с медицинскими имплантатами должны быть приняты отдельные меры предосторожности. Например, введение ограничений на доступ для пересекающих дорогу людей, а также оценка индивидуальных рисков для сварщиков. Оценка рисков и выдача рекомендаций для пользователей с медицинскими имплантатами должна выполняться медицинским работником.

Защита



- Не подвергайте оборудование воздействию дождя, избегайте попадания на оборудование брызг воды или пара под давлением.

Энергоэффективность



- Выберите метод сварка / резка и сварочный аппарат, соответствующий запланированным сварочным работам.
- Установите параметры сварочного тока и/или напряжения, соответствующие материалу, подлежащему сварки / резки, а также его толщине.
- При длительном простое сварочного оборудования выключите оборудование после его охлаждения вентилятором. Наше оборудование (наша продукция), оснащённое вентилятором с интеллектуальным управлением, отключается автоматически.

Процедура утилизации отходов



- Это устройство не является бытовым мусором. Утилизация устройства должна осуществляться в рамках национального законодательства в соответствии с директивой Европейского Союза.
- Получите информацию об утилизации отходов вашего использованного оборудования у вашего дилера и компетентных лиц.

ФОРМА ГАРАНТИИ



Пожалуйста, посетите наш сайт www.magmaweld.ru/гарантийный-малон/wr для формы гарантии.

ТЕХНИЧЕСКАЯ ИНФОРМАЦИЯ

1.1 Общее описание

ID 400E представляет собой легко переносимый трехфазный инвертор с выходом постоянного тока, который может прожигать покрытые электроды диаметром до 6,0 мм. В результате оптимизации инверторной технологии с характеристикой вертикальной сварки она обеспечивает стабильную дугу и хорошие характеристики повторного зажигания. Существует 3 режима для обеспечения оптимальных характеристик дуги для всех электродов с рутиловым, основным и целлюлозным покрытием. С помощью кнопки Hot Start повышается воспламеняющая способность электродов, с помощью кнопки Arc Force можно снизить склонность электродов к короткому замыканию и прилипанию к сварочной ванне. Его также можно использовать в качестве аппарата для сварки TIG на постоянном токе, зажигая дугу касанием вольфрамового наконечника к заготовке с помощью горелки TIG с клапаном. ID 400E также может использоваться со сварочными кабелями длиной до 25 метров. Он позволяет дистанционно управлять сварочным током с помощью дополнительных опций проводного и беспроводного дистанционного управления. Машина охлаждается вентилятором и имеет тепловую защиту от перегрева.

1.2 Комплектующие сварочного аппарата

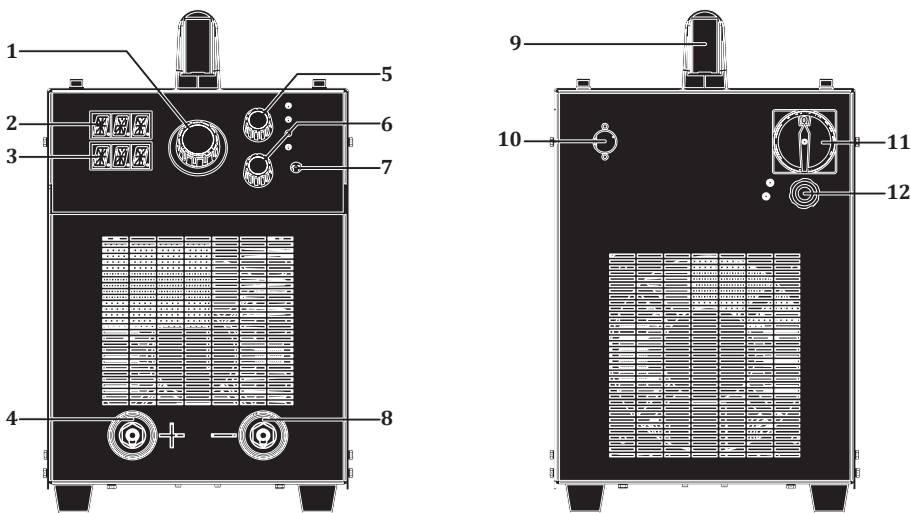


Рисунок 1: ID 400E

- 1- Регулятор тока
- 2- Текущий индикатор
- 3- Индикатор напряжения
- 4- Гнездо кабеля источника и заземления (+)
- 5- Горшок настройки горячего старта
- 6- Регулятор силы дуги
- 7- Кнопка выбора режима сварки
- 8- Гнездо кабеля источника и заземления (-)
- 9- Ручка
- 10- Вход для подключения дистанционного управления
- 11- Кнопка включения/выключения
- 12- Ввод кабеля питания

1.3 Этикетка продукта

MAGMA MEKATRONİK MAKİNE SAN. VE TİC. A.Ş. Organize Sanayi Bölgesi 5.Kısım Manisa-TÜRKİYE														
ID 400 E					Seri No:									
					EN 60974-1 / EN 60974-10 / Class A									
5A / 20.2V - 400A / 36V					5A / 10.2V - 400A / 26V									
		X	35%	60%	100%			X	35%	60%	100%			
		I_2	400A	306A	237A			I_2	400A	306A	237A			
		U_2	36V	32.2V	29.5V			U_2	26V	22.2V	19.5V			
		I_1	33.2A	25A	19.1A			I_1	26.5A	19.5A	14A			
		S_1	22.9kVA	17.2kVA	13.2kVA			S_1	18.3kVA	13.5kVA	9.7kVA			
		$U_1=400V$	$I_{1max} = 33.2A$		$I_{1eff} = 19.6A$				$U_1=86V$		$I_{1max} = 26.5A$		$I_{1eff} = 15.7A$	
					IP21S									

Трехфазный Трансформатор - Выпрямитель

X Рабочий цикл



TIG - Сварка

U_0 Напряжение работы без нагрузки



MMA - Сварка

U_1 Напряжение и частота сети



Постоянный Ток

U_2 Номинальное напряжение сварочного тока



вертикальный характеристика

I_1 Номинальное потребление тока сети



Сетевой Вход-3-Фазный Переменный Ток

I_2 Номинальный сварочный ток

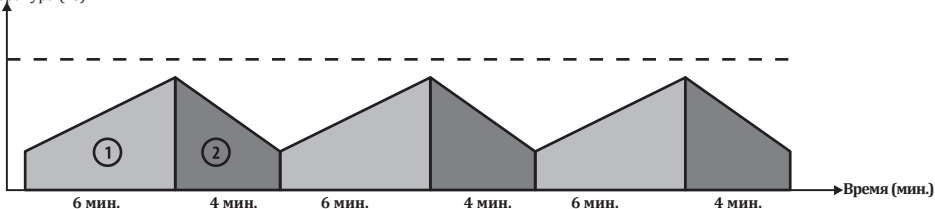


Пригоден Для Работы В Опасных Условиях

S_1 Потребляемая мощность сети

IP21S класс защиты

Рабочий цикл
Температура (°C)



Согласно стандарту EN 60974-1, продолжительность рабочего цикла включает период времени 10 минут. Например, если машина, указанная как 250A при% 60, должна работать при 250A, машина может выполнять сварку / резку без перерыва в первые 6 минут из 10-минутного периода (зона 1). Однако следующие Для охлаждения машины необходимо 4 минуты простоя (зона 2).

1.4 Технические характеристики

ТЕХНИЧЕСКИЕ ХАРАКТЕРИСТИКИ	Ед. изм.	ID 400E
Сетевое напряжение (3 фаза - 50-60 Гц)	В	400
Сила тока сети	кВА	22.9
Диапазон регулировки сварочного тока	А пост.тока	5 - 400
Номинальный сварочный ток	А пост.тока	400 (%35)
Напряжение открытого контура сварки	В пост.тока	86
Диапазон диаметров сварочных электродов	мм	1.60 - 6.00
Размеры (ДхШхВ)	мм	585 x 307 x 515
Вес	кг	32
Класс защиты		IP 21S

1.5 Принадлежности

СТАНДАРТНЫЕ ПРИНАДЛЕЖНОСТИ	КОЛ-ВО	ID 400E
Клемма и кабель заземления	1	7905203503 (35 мм ² - 3 м)
Зажим электрода и кабель	1	7906203503 (35 мм ² - 3 м)
ДОПОЛНИТЕЛЬНЫЕ АКСЕССУАРЫ	КОЛ-ВО	ID 400E
Пульт дистанционного управления 10 м	1	7900000210
Пульт дистанционного управления 20 м	1	7900000220
Пульт дистанционного управления 30 м	1	7900000230
Пульт дистанционного управления 40 м	1	7900000240
Пульт дистанционного управления 50 м	1	7900000250
Транспортная тележка	1	7900000600
Стойка (4 вертикальных)	1	7900000804
Стойка (6 вертикальных)	1	7900000807
Стойка (9 вертикальных)	1	7900000809
Горелка TIG Lava TIG 20 В (4 м)	1	7111020004
Горелка TIG Lava TIG 20 В (8 м)	1	7111020008

ИНФОРМАЦИЯ ПО УСТАНОВКЕ И НАСТРОЙКЕ

2.1 Контроль доставки

Убедитесь, что вместе со сварочным аппаратом доставлены все заказанные материалы. В случае отсутствия или повреждения какого-либо материала, немедленно свяжитесь с компанией, у которой был приобретен сварочный аппарат.

Стандартная комплектация сварочного аппарата содержит следующее:

- Главный корпус сварочного аппарата и сетевой кабель, подключенный к аппарату
- Гарантийный талон
- Руководство по эксплуатации
- Клемма и кабель заземления
- Горелка

В случае если во время получения аппарата будут выявлены повреждения, составьте протокол и сфотографируйте повреждения. Приложите протокол и фотографии к фотокопии накладной и известите транспортную компанию. В случае отсутствия ответа на ваше обращение в транспортную компанию, обратитесь в службу поддержки клиентов.

Символы и обозначения, установленные на сварочном аппарате:



Процесс сварки представляет опасность для человека и окружающих предметов. Выполнение сварки должно осуществляться в соответствующих условиях с принятием необходимых мер безопасности. Ответственность за сохранность и исправность сварочного аппарата, обеспечение необходимого оснащения возлагается на специалистов. Предупредите нахождение посторонних людей вблизи сварочного аппарата.



Данный сварочный аппарат не соответствует стандарту IEC 61000-3-12. В случае если сварочный аппарат будет подключён к сети низкого напряжения, используемого для электроснабжения жилых помещений, пользователь несёт полную ответственность за обеспечение выполнения работ подключения электрических соединений сварочного аппарата электротехником или пользователем аппарата, имеющим знания и навыки по вопросам подключения сварочного аппарата.



Будьте внимательны и строго соблюдайте все символы и предупреждения безопасности, установленные на сварочном аппарате и указанные в Руководстве по эксплуатации. Запрещается удалять этикетки, установленные на сварочном аппарате.



Решётки предназначены для обеспечения вентиляции внутренних частей сварочного аппарата. С целью обеспечения хорошего охлаждения, запрещается закрывать доступ к открытым частям аппарата и размещать инородные предметы внутрь корпуса устройства.

2.2 Рекомендации По Установке И Эксплуатации

- Для перемещения машины следует использовать подъёмные кольца или вилочные погрузчики. Не поднимайте машину с газовым баллоном. При переноске портативных сварочных аппаратов вручную необходимо соблюдать правила техники безопасности и охраны труда. На рабочем месте должны быть приняты необходимые меры для обеспечения того, чтобы процесс транспортировки осуществлялся в максимально возможном соответствии с условиями охраны труда и техники безопасности. Меры предосторожности следует принимать в соответствии с характеристиками рабочей среды и требованиями работы. Установите машину на твердую, ровную и гладкую поверхность, где она не упадет и не опрокинется.
- Не выполняйте эксплуатацию сварочного аппарата под прямыми солнечными лучами. При работе в среде с температурой воздуха выше 40°C, выполняйте работы на сварочном аппарате при более низком сварочном токе или при более низком уровне продолжительности включения.
- Избегайте выполнения сварочных работ вне помещений при ветре или дожде. Если необходимо выполнение сварочных работ при таких погодных условиях, обеспечьте защиту сварочной зоны и сварочного аппарата завесой или тентом. Если сварка выполняется внутри помещения, обеспечьте достаточную систему вытяжки сварочного дыма. При выполнении сварки в закрытых помещениях, в связи с риском вдыхания сварочного дыма и газов, используйте респираторные системы.
- Соблюдайте уровень продолжительности включения сварочного аппарата, указанного на заводской табличке устройства. Частое превышение времени работы под нагрузкой может стать причиной повреждения сварочного аппарата и аннулирования гарантийного срока.
- Используйте предохранитель с характеристиками, подходящими для вашей системы.

- Подключите заземляющий кабель по мере возможности ближе к зоне сварки.
- Не допускайте прохождение сварочного тока по оборудованию, за исключением сварочных кабелей. Закрепите газовый баллон на стене с помощью цепи.
- Во время работы сварочного аппарата не наматывайте сварочные кабели и сетевой кабель на корпус сварочного аппарата.

2.3 Подсоединение Электрической Розетки



С целью обеспечения вашей безопасности, категорически запрещается использование сетевого кабеля без вилки.

- В связи с тем, что на заводах, стройплощадках и в цехах могут быть установлены различные виды розеток для подсоединения к сетевому электроснабжению, сетевой кабель поставляется без вилки. Установка вилки на сетевой кабель должна выполняться квалифицированным электриком в зависимости от имеющейся розетки сетевого электроснабжения. Убедитесь, что имеется кабель заземления желтого/зеленого цвета ⚡.
- На этом этапе, не подключайте кабель к розетке сетевого электроснабжения непосредственно сразу после подсоединения вилки к сетевому кабелю.

2.4 Подключение к сети



Перед вставлением вилки сетевого кабеля в розетку сетевого электроснабжения убедитесь, что переключатель вкл./выкл. на сварочном аппарате установлен в положении "0".

- Перед подключением сварочного аппарата к сети, в первую очередь, при помощи вольтметра проверьте напряжение 3-х фаз. Вставьте вилку в розетку сетевого электропитания после того, как убедитесь, что напряжение между фазами составляет 400В ($\pm 40В$).
- Включите сварочный аппарат при помощи переключателя Включ./Выключ.
- После того, как вы услышите звук вентилятора и увидите, что загорелся светодиод вольтметра и амперметра, повторно переведите переключатель в положение "0" и отключите аппарат.

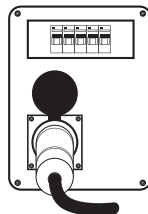


Рисунок 2 : Подсоединение к сетевому электропитанию

2.5 Соединения для сварки покрытым электродом

- В зависимости от типа используемого электрода и в соответствии с полярностью, рекомендованной изготовителем электрода, в гнезда для сварочного и заземляющего кабеля вставьте и зафиксируйте поворотом по часовой стрелке штекер кабеля сварочного электрода и штекер кабеля клеммы заземления.
- Клемму заземления прочно подсоедините к рабочей заготовке как можно ближе к зоне сварки.

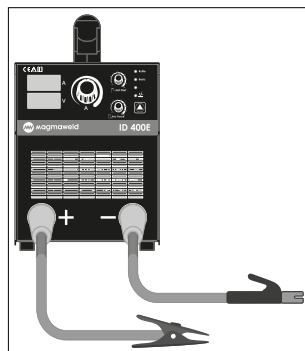


Рисунок 3 : Подсоединения для сварки покрытым электродом

2.6 Подсоединения для TIG-сварки касанием электрода

- Используйте горелку для TIG-сварки с газовым клапаном.
- Вставьте штекер кабеля электропитания TIG-горелки в гнездо с отрицательным полюсом и штекер кабеля заземления в гнездо с положительным полюсом.
- Регулятор расхода газа подсоедините к газовому баллону с аргоном.
- Подсоедините газовый шланг горелки к регулятору расхода газа.

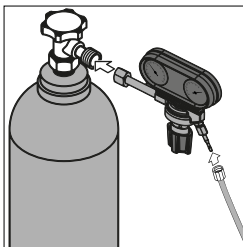


Рисунок 4 : Подсоединение газового баллона

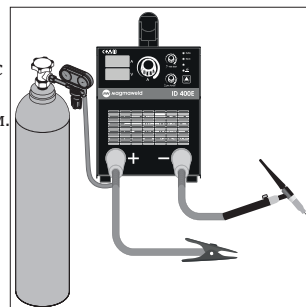
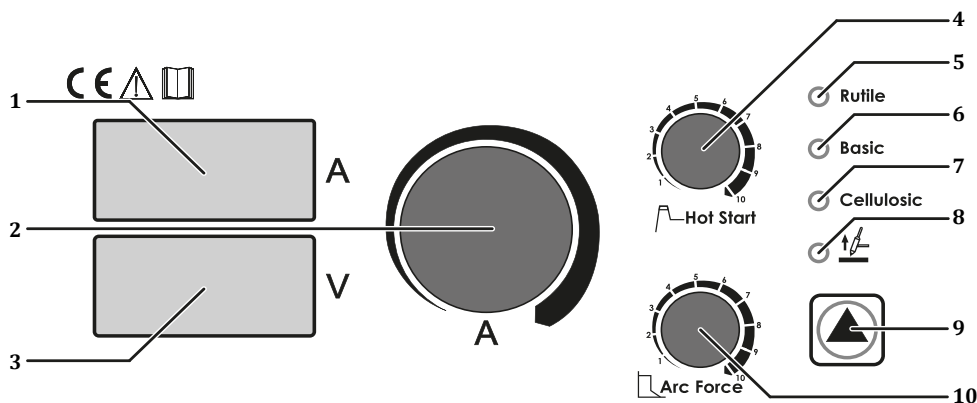


Рисунок 5 : Подсоединения для TIG-сварки

✂ ИНФОРМАЦИЯ ПО ЭКСПЛУАТАЦИИ

3.1 Интерфейс Пользователя



m magmaweld

ID 400E

1	Индикатор сварочного тока Во время выполнения сварки показывает силу сварочного тока и установленный сварочный ток, когда сварка не выполняется.
2	Ручка настройки сварочного тока Настройка сварочного тока выполняется в диапазоне 5-400А.
3	Индикатор напряжения Во время выполнения сварки показывает напряжение сварочного тока и установленное напряжение сварочного тока, когда сварка не выполняется.
4	Ручка настройки "Горячий старт (Hot Start)" Используется для лучшего зажигания дуги при сварке покрытым электродом.
5	Светодиод рутилового электрода Загорается после выбора режима сварки электродом с рутиловым покрытием.
6	Светодиод базового электрода Загорается после выбора режима сварки электродом с базовым покрытием.
7	Светодиод целлюлозного электрода Загорается после выбора режима сварки электродом с целлюлозным покрытием.
8	Светодиод TIG-сварки касанием Загорается после выбора режима TIG-сварки касанием.
9	Кнопка выбора режима сварки/функция VRD Он используется для выбора одного из режимов сварки MMA и TIG с контактной цаппиной или для доступа к функции VRD. Вы должны нажать и удерживать эту кнопку в течение 3 секунд, чтобы получить доступ к функции VRD. Если вы хотите активировать функцию VRD, вы должны повернуть потенциометр 2 (регулятор тока) и включить функцию VRD. Таким образом, выходное текущее напряжение упадет ниже 12 вольт. Вы можете вернуться в главное меню, снова нажав кнопку 9 (кнопка выбора режима сварки/функция VRD).

	Если вы хотите отключить функцию VRD, вы можете перейти к экрану функции VRD, нажав и удерживая кнопку 9 в течение 3 секунд. Вы должны повернуть потенциометр 2, чтобы выключить функцию VRD. Для возврата в главное меню необходимо снова нажать кнопку 9.
10	Ручка настройки "Форсаж дуги (Arc Force) Используется для снижения склонности электродов к залипанию в сварочной ванне во время сварки.

3.2 Сварка покрытым электродом

- Поворотом ручки выбора режима сварки выберите один из режимов сварки покрытым электродом (рутиловый, базовый и целлюлозный тип покрытия электрода). В зависимости от выбранного режима сварки покрытым электродом загорится соответствующий светодиод.
- Поворотом ручки настройки сварочного тока установите силу сварочного тока.
- Значения силы тока для сварки нелегированных сталей, указанные в таблице ниже, приводятся в качестве справочной информации. Точные параметры устанавливаются в соответствии с рекомендациями производителя электродов.

Covered Electrode Recommended Welding Current

Diameter (mm)	Rutile	Basic	Cellulosic
2.0	40-60 A	-	-
2.5	60-90 A	60-90 A	60-100 A
3.25	100-140 A	100-130 A	70-130 A
4.0	140-180 A	140-180 A	120-170 A
5.0	200-240 A	200-250 A	160-200 A
6.0	260-300 A	-	-

- Если первичное возбуждение дуги затруднено ввиду небольшой толщины или низкой температуры рабочей заготовки, поверните ручку настройки Горячий старт (**HOT START**) по часовой стрелке. При слишком высокой настройке "Горячего старта (**HOT START**)" сварочная дуга может вызвать прогорание металла.
- Для электродов, имеющих склонность к залипанию в сварочной ванне и отрыву дуги, используйте настройку "Форсаж дуги (**ARC FORCE**)". Поворотом по часовой стрелки ручки "Форсаж дуги (**ARC FORCE**)" снижается вероятность залипания электрода. По мере увеличения настройки "Форсажа дуги (**ARC FORCE**)" сварочная дуга становится более "жесткой" и могут наблюдаться колебания сварочного тока.
- Начните сварку. Фактическую силу сварочного тока можно наблюдать по индикатору силы сварочного тока, напряжение сварочного тока - по индикатору напряжения.

3.3 TIG-сварка точечным касанием

- Поворотом ручки выбора режима сварки выберите режим TIG-сварки точечным касанием. Загорится светодиод TIG-сварки касанием.
- Поворотом ручки настройки сварочного тока установите силу сварочного тока.
- Начните сварку. Фактическую силу сварочного тока можно наблюдать по индикатору силы сварочного тока, напряжение сварочного тока - по индикатору напряжения.

3.4 Дистанционное управление (опционно)

- Машиной можно управлять на большом расстоянии с помощью опций проводного дистанционного управления, предлагаемых компанией Magmaweld. В этом случае соответствующая контрольная розетка должна быть установлена на машине авторизованной мастерской Magmaweld.
- Когда к машине подключен пульт дистанционного управления, кнопка регулировки силы тока на машине автоматически отключается, и текущая настройка выполняется с помощью пульта дистанционного управления.



ТЕХОБСЛУЖИВАНИЕ И УСТРАНЕНИЕ НЕИСПРАВНОСТЕЙ

- Техобслуживание и ремонт сварочного аппарата должны выполняться только квалифицированными специалистами. Компания не несёт ответственности в связи с аварийными ситуациями, возникающими в результате выполнения техобслуживания и ремонта лицами без соответствующей квалификации.
- Запасные части, используемые во время ремонта, можно приобрести в авторизованных техслужбах. Использование оригинальных запасных частей обеспечит продление срока эксплуатации и предупредит снижение рабочих показателей сварочного аппарата.
- Обращайтесь только к производителю или в авторизованные техслужбы, указанные производителем.
- В течение гарантийного срока выполнение любых вмешательств в конструкцию сварочного аппарата без предварительного согласия производителя может стать причиной аннулирования всех гарантийных обязательств производителя.
- Во время выполнения любых процедур техобслуживания и ремонта обязательно соблюдайте правила техники безопасности.
- Перед началом выполнения любых видов процедур техобслуживания или ремонта отсоедините вилку сетевого кабеля сварочного аппарата и выждите 10 секунд для разряда напряжения на конденсаторах.

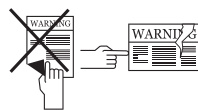
RU

4.1 Техобслуживание



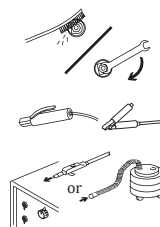
Ежедневное техобслуживание

- Запрещается удалять этикетки с поверхности сварочного аппарата. Изношенные/повреждённые этикетки замените на новые. Этикетки можно приобрести в авторизованных техслужбах.
- Проверьте горелку, зажимы и кабели. Обратите внимание на состояние и прочность соединений частей. Повреждённые/неисправные части замените на новые. Категорически запрещается выполнять ремонт/удлинение кабеля.
- Убедитесь, что имеется достаточная площадь для обеспечения вентиляции.
- Перед началом сварки проверьте расходомером скорость расхода газа на конце горелки. Если расход газа высокий или низкий, установите уровень расхода в соответствии со сварочным процессом.



Один раз в 6 месяцев

- Очистите и зажмите соединительные элементы, такие как гайки и болты.
- Проверьте кабели электрододержателя и клеммы заземления.
- Откройте боковые крышки сварочного аппарата и очистите внутреннюю часть при помощи сухого воздуха под низким давлением. Не используйте воздух под давлением на близком расстоянии от электрических соединений.
- Проверьте розетку подсоединения вилки электрического кабеля питания сварочного аппарата. В точках подсоединения электрического кабеля питания к розетке устраните места ослабления соединений, если имеются. Если в гнездах розетки имеются следы воздействия электрической дуги или расширение гнезд, замените розетку на новую.
- Проверьте вилку электрического кабеля питания сварочного аппарата. В точках подсоединения электрического кабеля питания к вилке устраните места ослабления соединений, если имеются. Если на штырях вилки имеются следы воздействия электрической дуги или деформации, замените вилку на новую.



ПРИМЕЧАНИЕ: Вышеуказанные периоды являются максимальными периодами для выполнения техобслуживания в случаях, если сварочный аппарат работает без каких-либо сбоев. В зависимости от интенсивности работ и загрязнения рабочей среды, процедуры техобслуживания, указанные выше, должны выполняться с более частой периодичностью



Категорически запрещается выполнять сварочные работы при демонтированных крышках корпуса сварочного аппарата.

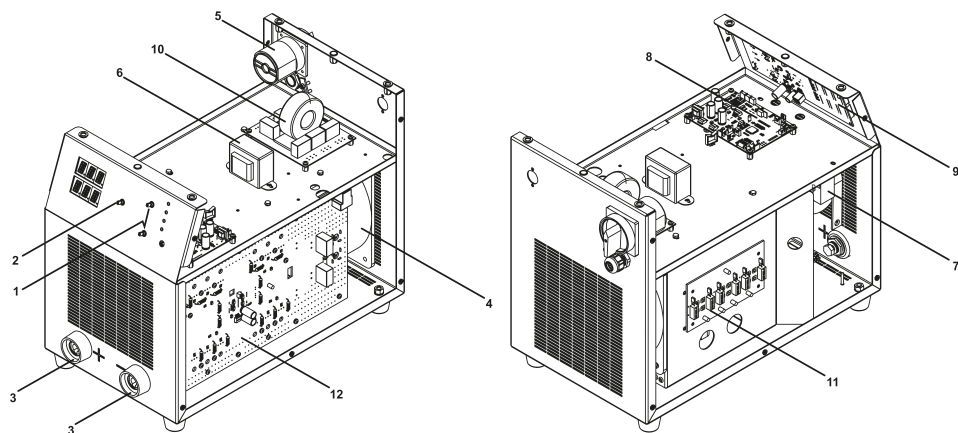
4.2 Коды неисправностей

Код неисправности	Неисправность	Причина	Устранение
ERR-T1	Температурная ошибка	<ul style="list-style-type: none"> Машина перегрета из-за высокой температуры окружающей среды или превышения рабочего цикла 	<ul style="list-style-type: none"> Дайте машине немного поработать, чтобы она остыла с помощью охлаждающего вентилятора. После того, как он достаточно остынет, можно приступать к сварке
E02	Ошибка модуля питания	<ul style="list-style-type: none"> Ошибка / ошибки могут существовать в любой электронной карте 	<ul style="list-style-type: none"> Выключите и включите. Если ошибка не исчезла, проверьте напряжение в сети, находится ли оно в диапазоне 340–420 В. Если ошибка не исчезла, обратитесь в авторизованный сервисный центр
E04	Напряжение сети высокое	<ul style="list-style-type: none"> Возможно, напряжение в сети увеличилось 	<ul style="list-style-type: none"> Проверьте кабели подключения к сети и напряжение. Убедитесь, что подано правильное входное напряжение. Если сетевое напряжение в норме, обратитесь в авторизованный сервисный центр
E08	Низкое напряжение сети	<ul style="list-style-type: none"> Возможно, упало сетевое напряжение 	<ul style="list-style-type: none"> Проверьте кабели подключения к сети и напряжение. Убедитесь, что подано правильное входное напряжение. Если сетевое напряжение в норме, обратитесь в авторизованный сервисный центр



ПРИЛОЖЕНИЯ

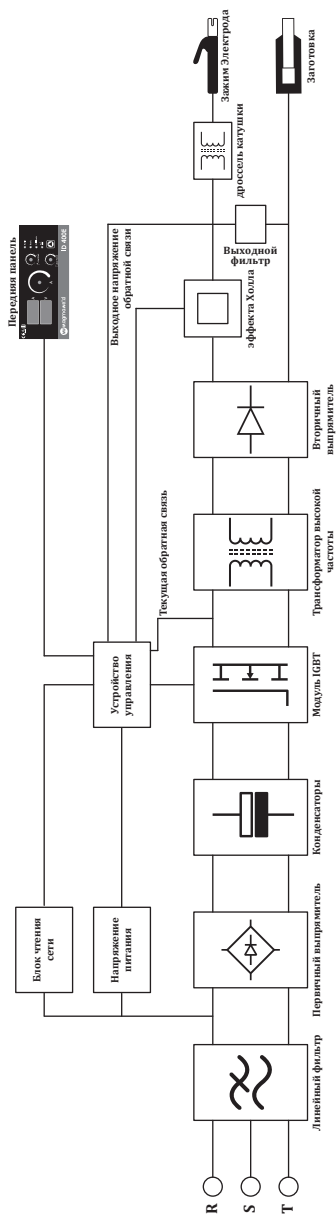
5.1 Список запасных частей



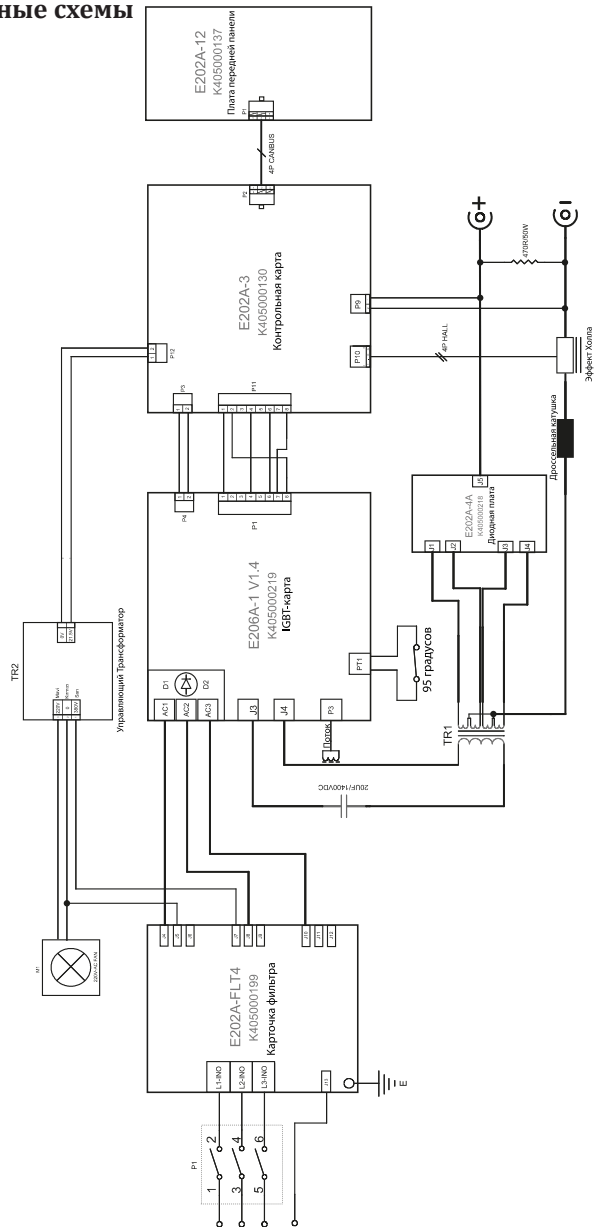
№	ОПИСАНИЕ	ID 400E
1	Регулировка потенциометра - маленькая	A229500001
2	Регулировка потенциометра - большая	A229500002
3	Сварочный разъем	A377900106
4	Вентилятор Монофазный	A250200015
5	Пако Переключатель	A308033005
6	Трансформатор управления	A366100004
7	Датчик Холла	A830900008
8	Электронная плата E202A-3-400	K405000130
9	Электронная плата E202A-12	K405000137
10	Электронная плата E202A-FLT V1.1	K405000199
11	Электронная плата E202A-4A (400E V2)	K405000218
12	Электронная плата E206A-1 V1.4 (400E V2)	K405000219
	Взбивающий термостат	A314800107
	Силовой трансформатор	A366000025
	Сверхбыстрый выпрямитель	A430100012
	Дроссельная катушка	A421000027

5.2 Схемы подключения

Блок-схема



Принципиальные схемы



ИНФОРМАЦИЯ О ТОВАРЕ

Модель	
Серийный номер	

ПРОИЗВОДИТЕЛЬ

Имя	MAGMA MEKATRONİK MAKİNE SANAYİ VE TİCARET A.Ş.
Адрес	Organize Sanayi Bölgesi 5. Kısım MANİSA
Телефон / Электронная почта	+90 236 226 27 00 / info@magmaWeld.com

ИНФОРМАЦИЯ О ПОКУПКЕ

Имя дилера	
Город / Страна	
Телефон / Электронная почта	
Дата покупки	

ИНФОРМАЦИЯ О КЛИЕНТЕ

Название компании	
Город / Страна	
Телефон / Электронная почта	
Имя контакта	

СЕРВИСНАЯ ИНФОРМАЦИЯ (если применимо)

Название компании	
Имя техника	
Дата сдачи (дата начала гарантии)	



Пожалуйста, посетите наш веб-сайт www.magmaWeld.ru/условия-гарантии/wt чтобы ознакомиться с условиями гарантии.

المحتويات

72	قواعد السلامة	
	المعلومات التقنية	1
77	الأوصاف العامة	1.1
77	مكونات الآلة	1.2
78	ملصق المنتج	1.3
79	المواصفات الفنية	1.4
79	الملحقات	1.5
	معلومات التثبيت	2
80	الأمر التي يجب مراعاتها عند التسليم	2.1
80	توصيات التثبيت والتشغيل	2.2
81	توصيل قابس الكهرباء	2.3
81	التوصيل بالتيار الكهربائي	2.4
81	وصلات من أجل اللحام الكهربائي المغطى	2.5
82	اتصالات لحام TIG	2.6
	معلومات الإستخدام	3
83	واجهة المستخدم	3.1
84	لحام القطب الكهربائي المحجب	3.2
84	لحام قوسي بغاز التنغستن المتلامس	3.3
84	جهاز التحكم عن بعد (اختياري)	3.4
	معلومات الصيانة والأعطال	4
85	الصيانة	4.1
86	رموز الأخطاء	4.2
	المرفقات	5
87	قوائم قِطَع الغيار	5.1
88	مخططات الأسلاك	5.2

قواعد السلامة



اتبع جميع قواعد السلامة المدرجة في الدليل!

- التعرف بمعلومات السلامة
- تُستخدم رموز السلامة في الدليل لتحديد المخاطر المحتملة.
- عند ظهور أي رمز سلامة في هذا الدليل، يجب أن يكون مفهوماً أنَّ هناك خطر حدوث إصابة ويجب تجنب المخاطر المحتملة من خلال قراءة التفسيرات التالية بعناية.
- يكون مالك الآلة مسؤولاً عن منع الأشخاص غير المصرح لهم من الوصول إلى الجهاز.
- يجب أن يكون الأشخاص الذين يستخدمون الآلة من ذوي الخبرة أو مدربين تدريباً كاملاً في اللحام / القطع. يجب قراءة دليل المستخدم واتباع تحذيرات السلامة قبل العمل.



التعريف برموز السلامة

- احذر
- يشير إلى موقف يحتمل أن يكون خطيراً قد يؤدي إلى إصابة أو تلف.
- إذا لم يتم اتخاذ أي إجراء، فقد يتسبب ذلك في إصابة أو خسارة / ضرر مادي.
- هام
- يشير إلى معلومات وتحذيرات الاستخدام
- خطر
- يشير إلى خطر جسيم. إذا لم يتم تجنبه، فقد يؤدي ذلك إلى الوفاة أو إصابة خطيرة



- فهم تحذيرات السلامة
- اقرأ دليل المستخدم والملصقات وتحذيرات السلامة الموجودة على الجهاز بعناية.
- تأكد من أنَّ ملصقات التحذير الموجودة على الجهاز في حالة جيدة. استبدل الملصقات المفقودة أو التالفة.
- تعرف على كيفية تشغيل الجهاز وكيفية عمل الضوابط بشكل صحيح.
- استخدم جهازك في بيئات عمل مناسبة.
- ستؤثر التغييرات غير الملائمة التي يمكن إجراؤها على جهازك سلبيًا من ناحية التشغيل الآمن للجهاز وعمره.
- الشركة المصنعة غير مسؤولة عن عواقب تشغيل الجهاز خارج الشروط المحددة.



يمكن للصدمة الكهربائية أن تسبب الموت

تأكد من أنَّ إجراءات التثبيت تتوافق مع المعايير الكهربائية الوطنية واللوائح الأخرى ذات الصلة، وقم بتثبيت الجهاز بواسطة أشخاص معتمدين.



- إرتدي قفازات ومريول عمل جاف ومعزول جيدًا. لا تستخدم أبدًا قفازات ومريول عمل مبللة أو تالفة.
- إرتد ملابس واقية مقاومة للهب ضد مخاطر الاحتراق. يجب أن تكون الملابس التي يستخدمها المشغل واقية من الشرر والتناثر وإشعاع القوس.
- لا تعمل مفردك. في حالة وجود خطر، تأكد من وجود شخص ما في المنطقة التي تعمل معها للإبلاغ عن أي حادث.
- لا تلمس القطب الكهربائي بيدك. لا تسمح لحامل القطب الكهربائي أو القطب الكهربائي بالتلامس مع أي شخص أو جسم مؤرض.
- لا تلمس أبدًا الأجزاء الناقلة للكهرباء.
- إذا كنت على اتصال بقطب كهربائي متصل بسطح عمل أو بأرضية أو بألة أخرى، فلا تلمس القطب الكهربائي مطلقاً.
- يمكنك حماية نفسك من الصدمات الكهربائية المحتملة عن طريق عزل نفسك عن سطح العمل والأرضية. استخدم مادة عازلة غير قابلة للاحتراق، عازلة كهربائياً، جافة، غير تالفة، وكبيرة بما يكفي لقطع اتصال المشغل بسطح العمل.
- لا تقم بتوصيل أكثر من قطب كهربائي واحد بحامل القطب.
- قم بتوصيل كمامة التاريز بقطعة العمل أو طاولة العمل في أقرب وقت ممكن لضمان اتصال جيد بين المعدن إلى المعدن.
- افحص الشعلة قبل تشغيل الجهاز. تأكد من أن الشعلة وكابلاتها في حالة جيدة. تأكد من استبدال الشعلة التالفة أو البالية.
- لا تلمس حوامل الأقطاب الكهربائية المتصلة بجهازين مختلفين في نفس الوقت حيث سيكون هناك جهد دائري مزدوج مفتوح.
- احتفظ بالجهاز مغلقاً وافصل الكابلات في حالة عدم استخدامها.
- افصل جميع توصيلات الطاقة و / أو المقابس أو قم بإيقاف تشغيل الجهاز قبل إصلاح الجهاز.
- كن حذراً عند استخدام كابل التيار الكهربائي الطويل.
- تأكد من أن جميع التوصيلات محكمة ونظيفة وجافة.
- تأكد من أن الكابلات جافة ونظيفة وغير مزينة. يجب الحماية من الأجزاء المعدنية الساخنة والشرر.
- تشكل الأسلاك العارية غير المعزولة خطراً مميتاً. تحقق بشكل متكرر من جميع الكابلات بحثاً عن أي تلف محتمل. في حالة اكتشاف كابل تالف أو غير معزول، قم بإصلاحه أو استبداله على الفور.
- إذا لم تكن كمامة التاريز متصلة بقطعة العمل، فقم بعزلها لتجنب ملامستها لأي أجسام معدنية.
- تأكد من أن تاريز خط الطاقة يتم بشكل صحيح.
- لا تستخدم مخرج لحام التيار المتردد في المناطق المبللة أو الرطبة أو الضيقة وحيث يوجد خطر السقوط.
- استخدم مخرج التيار المتردد فقط عند الضرورة لعملية اللحام.

- عندما يكون خرج التيار المتردد مطلوبًا، استخدم وحدة التحكم عن بعد إذا كانت متوفرة على ألتك.
- اتخذ احتياطات أمان إضافية عند وجود أحد المخاطر الكهربائية التالية؛
- عندما تكون في أماكن رطبة أو ترتدي ملابس مبللة،
- أثناء تواجدك على الأرضيات المعدنية أو الشبكات أو هياكل السقالات،
- عندما تكون في أوضاع ضيقة مثل الجلوس أو الركوع أو الاستلقاء،
- عندما يكون خطر التلامس مع قطعة العمل أو الأرض مرتفعًا أو لا مفر منه.
- في هذه الحالات، يمكن استخدام المعدات التالية؛
- آلة لحام قوسي معدني محجب بغاز حامل بجهد ثابت شبه أوتوماتيكي ذات تيار مباشر ،
- آلة لحام قوسي كهربائي محجب يدوية ذات تيار مباشر ،
- إذا تواجدت آلة لحام تيار مباشر أو تيار متردد بجهد كهربائي منخفض ذو الدائرة المفتوحة (VRD).

- أفضل الطاقة الكهربائية.
- استخدم مواد غير موصلة للكهرباء، مثل الخشب الجاف، لتحرير المصاب بالصدمة من الأسلاك أو الأجزاء الناقلة للكهرباء.
- اتصل بخدمات الطوارئ.



- إذا كان لديك تدريب على الإسعافات الأولية؛
- إذا كان المصاب لا يتنفس، فقم بإجراء الإنعاش القلبي الرئوي على الفور بعد قطع الاتصال بالمصدر الكهربائي. استمر في الإنعاش القلبي الرئوي حتى يبدأ التنفس أو تصل المساعدة.
- استخدم جهاز إزالة رجفان القلب الإلكتروني (AED) وفقًا للتوجيهات عند توفره.
- عالج الحروق الكهربائية، مثل الحروق الحرارية، عن طريق وضع الكمادات الباردة.
- منع العدوى وتغطيتها بقطعة قماش جافة ونظيفة.

- يمكن أن تتسبب الأجزاء المتحركة.
- احرص على أن تكون جميع الأغطية والألواح والأبواب وما إلى ذلك لآلة والأجهزة مغلقة ومقفلة.
- ارتدِ أحذية ذات أصابع معدنية ضد احتمال سقوط أشياء ثقيلة.



من الخطير جدًا استنشاق الدخان والغاز المنبعث أثناء عملية اللحام والقطع لفترة طويلة.

- الإحساس بالحرقان والتهيج في العين والأنف والحلق هي علامات على عدم كفاية التهوية. في مثل هذه الحالة، قم بزيادة التهوية على الفور، إذا استمرت المشكلة، توقف عن اللحام / القطع.
- قم بإنشاء نظام تهوية طبيعي أو اصطناعي في منطقة العمل.
- استخدم نظام شفط دخان مناسب حيث يتم اللحام / القطع.
- إذا لزم الأمر، قم بتثبيت نظام يمكنه طرد الأبخرة والغازات المتراكمة في ورشة العمل بأكملها. استخدم نظام ترشيح مناسب لتجنب تلوث البيئة أثناء التفريغ.
- إذا كنت تعمل في أماكن ضيقة ومغلقة أو إذا كنت تقوم بلحام الرصاص أو البريليوم أو الكاديوم أو الزنك أو المواد المخلفة أو المطيعة، فاستخدم أجهزة التنفس التي توفر الهواء النقي بالإضافة إلى الاحتياطات المذكورة أعلاه.
- إذا تم تجميع أسطوانات الغاز في منطقة منفصلة، فتأكد من وجود تهوية جيدة في هذه المناطق، وحافظ على الصمامات الرئيسية مغلقة عندما لا تكون أسطوانات الغاز قيد الاستخدام، واحترس من تسرب الغاز.
- الغازات الواقية مثل الأرجون أكثر كثافة من الهواء ويمكن استنشاقها بدلاً من الهواء إذا تم استخدامها في الداخل. هذا يشكل خطر على صحتك.
- لا تقم بإجراء عمليات اللحام / القطع في وجود أبخرة هيدروكربونية مكثورة تنطلق أثناء عمليات التشحيم أو الطلاء.
- تتطلب بعض الأجزاء الملموسة / المقطوعة تهوية خاصة. يجب قراءة قواعد السلامة الخاصة بالمنتجات التي تتطلب تهوية خاصة بعناية. يجب ارتداء قناع غاز مناسب في الحالات التي يتوجب فيها ارتداء قناع الغاز.

يمكن أن يكون الدخان والغازات ضارة بصحتك



- يمكن أن يضر ضوء القوس والتناثرعينيك وجلدك
- لحماية عينيك ووجهك، استخدم قناع واقى قياسي وفلتر زجاجي مناسب.
- احم الأجزاء المكتشفة الأخرى من جسمك (الذراعين والرقبة والأذنين، إلخ) من القوس والتناثر باستخدام ملابس واقية مناسبة.
- قم بحماية منطقة عملك بنشاطات مقاومة للاشتعال أعلى من مستوى العين وقم بتعليق علامات التحذير حتى لا يتضرر الأشخاص من حولك من أشعة القوس والمعادن الساخنة.
- لا تقم باستخدام الآلة لتسخين الأنابيب المجمدة. ستؤدي هذه العملية باستخدام آلة لحام / قطع إلى حدوث انفجار أو حريق أو تلف المعدات الخاص بك.



يمكن للشراشات والتناثر أن • تسبب العمليات مثل اللحام / القطع وصقل الأسطح والتنظيف بالفرشاة في حدوث شرر وتناثر جزيئات معدنية. ارتد نظارات أمان تؤذي عينيك مع دروع جانبية تحت القناع الواقي لمنع الإصابة المحتملة.



يمكن أن تسبب الأجزاء الساخنة • لا تلمس الأجزاء الساخنة بيديك. • أعط أجزاء الآلة الوقت لتبرد قبل العمل عليها. • عندما تحتاج إلى التعامل مع الأجزاء الساخنة، استخدم الأدوات المناسبة وقفازات اللحام / القطع ذات العزل الحراري العالي والملابس المقاومة للحريق.



يمكن للضوضاء أن تضر • يمكن أن تسبب الضوضاء الناتجة عن بعض المعدات والعمليات الضعيف لسمعك. • إذا كان مستوى الضوضاء مرتفعاً، قم بارتداء واقيات الأذن المعتمدة.



يمكن أن يتسبب سلك • لا توجه الشعلة إلى أي جزء من الجسم أو الأشخاص الآخرين أو أي معدن أثناء فك سلك اللحام. • احم عينيك ووجهك أثناء القيام بعملية فك سلك اللحام يدوياً، خاصة بأقطار رقيقة، قد يقفز السلك من يدك مثل النابض، قد يؤديك أو يضر الآخرين من حولك.



يمكن أن تسبب عملية • لا تقم أبدًا باللحام / القطع بالقرب من المواد القابلة للاشتعال. قد يؤدي ذلك إلى نشوب حرائق وانفجارات. • اللحام / القطع في نشوب • قبل البدء في عملية اللحام / القطع، قم بإزالة هذه المواد من الوسط المحيط أو قم بتغطيتها بأغطية واقية لمنعها من الاحتراق حرائق وانفجارات • تطبيق القواعد الخاصة الوطنية والدولية في هذه المجالات.



لا تقم بعملية لحام / قطع الأنابيب أو المواسير المغلقة تمامًا. • قبل لحام / قطع الأنابيب والحاويات المغلقة، افتحها وفرغها بالكامل وقم بتهوئتها ونظفها. تولى أقصى قدر من العناية الممكنة عند اللحام / القطع في مثل هذه الأماكن. • لا تقم بلحام / قطع الأنابيب أو المواسير التي تحتوي على مواد قد تسبب انفجارًا أو حريقًا أو تفاعلات أخرى ، حتى لو كانت فارغة يتم إنتاج درجة حرارة عالية أثناء عملية اللحام / القطع. لذلك، لا تقم بتطبيقه على الأسطح القابلة للاشتعال أو التالفة بسهولة! • يمكن أن تسبب الشرر والقطع المتناثرة في نشوب حريق. لهذا السبب، احتفظ بملوّد مثل أنابيب مظافة الحريق والمياه والرمل في متناول اليد. • استخدم صمامات الفحص ومنظمات الغاز والصمامات في دوائر الغاز القابلة للاشتعال والانفجار والمضغوطة. تأكد من فحصها بشكل دوري وأنها تعمل بشكل صحيح.

قد تسبب صيانة الآلات • يجب عدم إصلاح الأجهزة الكهربائية بواسطة أشخاص غير مصرح لهم بذلك. يمكن أن تؤدي الأخطاء التي يتم ارتكابها هنا إلى إصابة والأجهزة من قبل أشخاص خطيرة أو الوفاة أثناء الاستخدام. • غير مصرح لهم في حدوث • تعمل عناصر دائرة الغاز تحت الضغط؛ قد تحدث الانفجارات نتيجة للخدمات التي يقدمها أشخاص غير مصرح لهم، يمكن أن يصاب المستخدمون بجروح خطيرة. • يوصى بإجراء الصيانة الفنية للآلة ووحداتها الطرفية مرة واحدة على الأقل في السنة.



اللحام / القطع في الأماكن • تأكد من إجراء عمليات اللحام / القطع برفقة شخص آخر في الأماكن ذات الحجم الصغير والمغلقة. • الضيقة ذات الحجم الصغير • تجنب عمليات اللحام / القطع في مثل هذه الأماكن المغلقة قدر الإمكان.



قد يؤدي عدم اتخاذ • اتخذ جميع الاحتياطات اللازمة أثناء نقل الآلة. يجب أن تكون المناطق المراد نقلها والظروف المادية وصحة الأجزاء التي سيتم الاحتياطات اللازمة أثناء استخدامها في النقل والشخص الذي سينفذ النقل مناسبة لعملية النقل. • النقل إلى وقوع حوادث • بعض الآلات ثقيلة للغاية ، لذلك ، يجب التأكد من اتخاذ تدابير السلامة البيئية اللازمة أثناء تغيير الأماكن. • في حالة استخدام الآلة على منصة، يجب التحقق من أن هذه المنصة لها حدود مناسبة لتحميل الحمولة.



- إذا كان سيتم نقلها بمساعدة مركبة (عربة نقل، رافعة شوكية، وما إلى ذلك)، فتأكد من أن السيارة ونقاط الاتصال التي تربط الآلة بالمركبة (علاقة الحمل، الحزام، المزلاج، الصمولة، العجلة، إلخ) سليمة.
- في حالة إجراء النقل اليدوي، تأكد من أن أجزاء الآلة (علاقة الحمل والحزام وما إلى ذلك) والتوصيلات سليمة.
- يرجى مراعاة قواعد منظمة العمل الدولية فيما يتعلق بوزن النقل وأنظمة النقل في بلدك من أجل ضمان ظروف النقل الضرورية.
- استخدم دائماً المقابض أو حلقات الحمل عند تغيير مكان مصدر الطاقة. لا تسحب أبداً بواسطة المشاعل أو الكابلات أو الخراطيم.
- احمل دائماً أسطوانات الغاز بشكل منفصل.
- قم بإزالة جميع الوصلات البينية قبل نقل معدات اللحام / القطع، وبشكل منفصل قم بنقل وتحريك الأصغر من السفينان، والأكبر من حلقات الحمل أو باستخدام معدات الرفع المناسبة مثل الرافعة الشوكية.

يمكن أن تتسبب الأجزاء المتساقطة في حدوث إصابات



- يمكن أن يؤدي الوضع غير الصحيح لمصدر الطاقة أو أي معدات أخرى إلى حدوث إصابات خطيرة للأشخاص وإحراق الأضرار بالممتلكات للأشياء الأخرى.
- ضع ألتك على أرضيات ومنصات ذات ميل أقصى يبلغ 10 درجات حتى لا تسقط أو تتقلب. اختر مناطق لا تعيق تدفق المواد، لا تشكل احتمالية خطر من التزق في الكابلات والخراطيم، غير قابلة للحركة؛ لكن أن تكون مناطق كبيرة وسهلة التهوية وخالية من الغبار. قم بتثبيتها على منصة بالنسبة الآلات التي تحتوي على منصة غاز مناسبة للأسطوانات، وفي الاستخدامات الثابتة، قم بتثبيتها على الحائط بسلسلة حتى لا تسقط وذلك لمنع أسطوانات الغاز من الانقلاب.
- تزويد المشغلين بوصول سهل إلى الإعدادات والتوصيلات في الآلة.

يؤدي الاستخدام المفرط إلى ارتفاع درجة حرارة الآلة



- اترك الآلة لتبرد وفقاً للمعدلات دورة العمل.
- قم بتقليل نسبة دورة التشغيل أو التبار قبل بدء عملية اللحام / القطع مرة أخرى.
- لا تسد مداخل تهوية الآلة.
- لا تضع مرشحات في مداخل تهوية الآلة دون موافقة الشركة المصنعة.

يمكن أن يتسبب لحام القوس الكهربائي في حدوث تداخل كهرومغناطيسي



- إن هذه الآلة من المجموعة 2، الفئة أ في اختبارات التوافق الكهرومغناطيسي وفقاً لمعيار TS EN 55011.
- هذه الآلة من الفئة "3" غير مخصصة للاستخدام في المناطق السكنية حيث يتم توفير الطاقة الكهربائية من تيار الجهد المنخفض. قد تكون هناك صعوبات محتملة في ضمان التوافق الكهرومغناطيسي بسبب تداخل الترددات الراديوية المرسل والمستمع في مثل هذه المواقع.



- "هذه الآلة غير متوافقة مع IEC 61000-3-12. يجب أن يكون المثبت الذي سيجري التوصيل الكهربائي أو الشخص الذي سيستخدم الآلة على علم باتصال الآلة، في حالة الرغبة في الاتصال بشبكة الجهد المنخفض المستخدمة في المنازل، في هذه الحالة، تقع المسؤولية على عاتق المستخدم.
- تأكد من توافق منطقة التشغيل مع التوافق الكهرومغناطيسي (EMC). قد تسبب التداخلات الكهرومغناطيسية التي قد تحدث أثناء عملية اللحام / القطع تأثيرات غير مرغوب فيها على أجهزتك الإلكترونية وتيارك الكهربائي. أي آثار ناتجة عن هذه التداخلات أثناء التشغيل هي من مسؤولية المستخدم.
- في حالة حدوث أي تداخل، لضمان الامتثال؛ يمكن اتخاذ احتياطات إضافية، مثل استخدام الكابلات القصيرة، أو استخدام الكابلات المحمية (المدرعة)، أو نقل الآلة إلى مكان آخر، أو إزالة الكابلات من الجهاز و / أو المنطقة المتضررة، أو استخدام مرشح، أو حماية منطقة العمل من حيث التوافق الكهرومغناطيسي.
- قم بإجراء عمليات اللحام / القطع لأبعد مسافة ممكنة (100 متر) من أجهزتك الإلكترونية الحساسة لتجنب أي تلف محتمل في التوافق الكهرومغناطيسي.
- تأكد من تثبيت ألتك ووضعها وفقاً لدليل التعليمات.

وفقاً لـ IEC 60974-9 بند 5.2؛

- قبل تركيب معدات اللحام / القطع، يجب على المشغل و / أو المستخدم إجراء تحقيق في التداخل الكهرومغناطيسي المحتمل في البيئة. يجب مراعاة المواقف التالية؛

تقييم التوافق الكهرومغناطيسي لمنطقة العمل



- أ) كابلات الإمداد الأخرى وكابلات الإشارة وكابلات الهاتف أعلى وأسفل ويجوار آلة اللحام / القطع ومعداتها،
 - ب) أجهزة الإرسال والاستقبال الإذاعية والتلفزيونية،
 - ج) الكمبيوتر ومعدات التحكم الأخرى،
 - د) معدات السلامة الحرجة، مثل حماية المعدات الصناعية،
 - هـ) الأجهزة الطبية للأشخاص حولها، على سبيل المثال أجهزة تنظيم ضربات القلب والأجهزة المساعدة على السمع،
 - و) المعدات المستخدمة للقياس أو المعايرة.
 - ز) حضانة الأجهزة الأخرى في بيئة العمل. يجب على المستخدم التأكد من أن المعدات الأخرى المستخدمة في البيئة متوافقة. قد يتطلب هذا تدابير حماية إضافية،
 - ح) يمكن توسيع حدود منطقة الدراسة وفقاً لحجم البيئة وهيكل المبنى والأنشطة الأخرى التي يتم تنفيذها في المبنى، مع مراعاة وقت عملية اللحام / القطع خلال اليوم.
- بالإضافة إلى التقييم الميداني، قد يكون تقييم تركيبات الجهاز ضرورياً أيضاً لحل الاضطراب. عند الضرورة، يمكن أيضاً استخدام القياسات في الموقع لتأكيد كفاءة تدابير التخفيف. (المصدر: IEC 60974-9).

- طرق تقليل الضوضاء**  
- يجب توصيل الآلة بالتيار الكهربائي على النحو الموصى به ومن قبل شخص مخول. في حالة حدوث تداخل ، يمكن تطبيق تدابير إضافية ، مثل تصفية التيار. يجب أن يتم توريد معدات اللحام القوسي المركب بشكل دائم من خلال قناة معدنية أو كابل محمي مكافئ.
 - يجب توصيل شاشة العرض وغطاء مصدر الطاقة ويجب الحفاظ على اتصال كهربائي جيد بين هذين الهيكلين.
 - ينبغي إجراء الصيانة الروتينية الموصى بها للآلة. يجب إغلاق و / أو قفل جميع أغلفة الهيكل عندما تكون الآلة قيد الاستخدام. لا يمكن إجراء أي تغييرات أو تعديلات على الآلة بخلاف الإعدادات القياسية دون موافقة خطية من الشركة المصنعة. خلاف ذلك ، يكون المستخدم مسؤولاً عن أي عواقب قد تحدث.
 - يجب أن تكون كابلات اللحام / القطع قصيرة قدر الإمكان. يجب أن يتم تمديدتها جنبًا إلى جنب من أرضية منطقة العمل. يجب عدم لف كابلات اللحام / القطع بأي شكل من الأشكال.
 - يتم إنشاء مجال مغناطيسي في الآلة أثناء اللحام / القطع. قد يتسبب ذلك في قيام الآلة بسحب الأجزاء المعدنية عليها. تأكد من أن المواد المعدنية على مسافة آمنة أو ثابتة لمنع هذا السحب. يجب عزل المشغل عن كل هذه المواد المعدنية المترابطة.
 - يمكن أن يؤدي الارتباط بين قطعة العمل والأرض إلى تقليل الانبعاثات في بعض الحالات التي لا يتم فيها توصيل قطعة العمل بالأرض من أجل السلامة الكهربائية أو بسبب حجمها وموقعها (على سبيل المثال ، هيكل السفينة أو تصنيع الإنشاءات الفولاذية). وتجدد الإشارة إلى أن تأريض قطعة العمل قد يتسبب في إصابة المستخدمين أو حدوث خلل في المعدات الكهربائية الأخرى في البيئة. عند الضرورة ، يمكن إجراء اتصال الأرض بقطعة العمل في شكل اتصال مباشر ، ومع ذلك ، في بعض البلدان التي لا يُسمح فيها بالاتصال المباشر ، يمكن إنشاء الاتصال باستخدام عناصر السعة المناسبة وفقًا للأظمة واللوائح المحلية.
 - يمكن أن يؤدي تدريع وحماية الأجهزة والكابلات الأخرى في منطقة العمل إلى منع التأثيرات التخريبية. يمكن تقييم حماية منطقة اللحام / القطع بأكملها لبعض التطبيقات المحددة.

المجال الكهرومغناطيسي (EMF)



- التيار الكهربائي الذي يمر عبر أي موصل يخلق مجالات كهربائية ومغناطيسية محلية (EMF). يجب على المشغلين اتباع الإجراءات أدناه لتقليل المخاطر التي يشكلها التعرض للمجالات الكهرومغناطيسية :
- يجب تجميع كابلات اللحام / القطع معًا لتقليل المجال المغناطيسي ، ويجب تأمينها بمواد ربط (شريط لاصق ، ربطه كبل ، إلخ) قدر الإمكان.




- يجب إبقاء جسم المشغل ورأسه بعيدًا عن آلات اللحام / القطع والكابلات قدر الإمكان ،
 - يجب عدم لف أسلاك اللحام / القطع والكابلات الكهربائية حول الجسم بأي شكل من الأشكال.
 - يجب ألا يكون الجسم محاصرًا بين كابلات اللحام / القطع. يجب إبقاء كابلات اللحام / القطع بعيدة عن الجسم، وبجانب بعضها.
 - يجب توصيل كابل الإرجاع بقطعة العمل في أقرب مكان ممكن من منطقة اللحام / القطع ،
 - لا تتكئ على وحدة الطاقة أو تجلس عليها أو تعمل بالقرب منها ،
 - يجب عدم القيام بعملية اللحام / القطع أثناء نقل وحدة الطاقة أو وحدة مغذي الأسلاك.
- يمكن أن تضعف المجالات الكهرومغناطيسية أيضًا تشغيل الفرسات الطبية (مادة توضع داخل الجسم) مثل أجهزة تنظيم ضربات القلب. يجب اتخاذ تدابير وقائية للأشخاص الذين لديهم غرسات طبية. على سبيل المثال ، يمكن وضع قيود وصول للمارة أو تقييمات المخاطر الفردية للمشغلين. يجب إجراء تقييم للمخاطر وتوصية بأخصائي طبي للمستخدمين الذين لديهم غرسات طبية.

- لا تعرّض الجهاز للمطر أو رذاذ الماء أو البخار المضغوط



- كفاءة الطاقة**  
- اختر الطريقة والآلة المناسبة لعملية اللحام / القطع التي ستقوم بها.
 - حدد التيار و / أو الجهد المناسب للمادة والسماكة التي ستلحمها / تقطعها.
 - في حالة الانتظار لفترة طويلة بدون لحام / قطع ، قم بإيقاف تشغيل الآلة بعد أن تبرد مروحة الجهاز. ستوقف آلاتنا ذات التحكم الذاتي بالمروحة من تلقاء نفسها.

- إجراء التخلص من النفايات 
- إنّ هذه الآلة ليس نفايات منزلية. يجب أن يتم توجيهها لإعادة التدوير في إطار القانون الوطني مع توجيهات الاتحاد الأوروبي. احصل على معلومات من الوكيل والأشخاص المعتمدين حول إدارة نفايات آتلك المستعملة.

نموذج الضمان



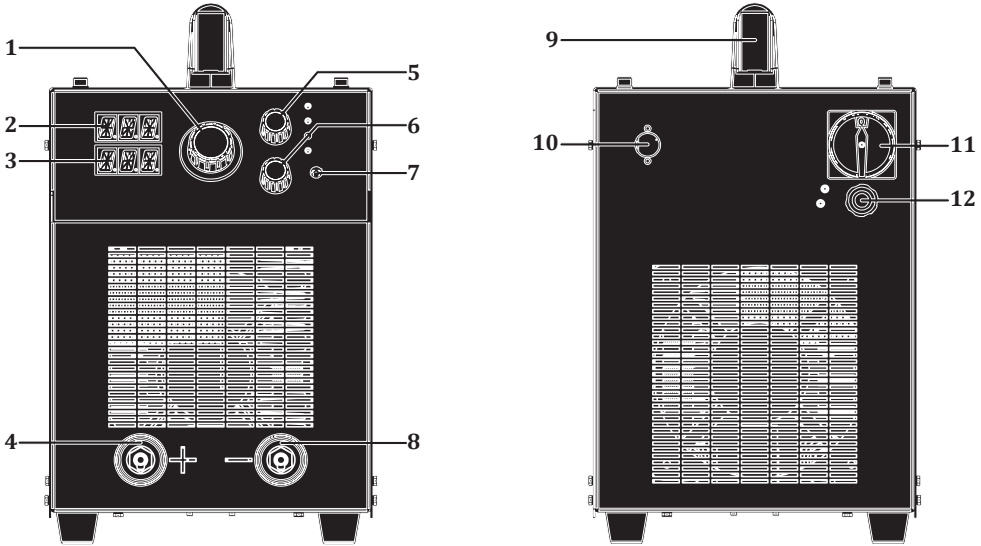
يرجى زيارة موقعنا على الإنترنت www.magmaweld.com/warranty-form/wr للحصول على نموذج الضمان.

المعلومات التقنية

1.1 الأوصاف العامة

ID 400E، إنها آلة لحام ذات مخرج تيار مباشر، سهلة الحمل، تم إنتاجها باستخدام تقنية العاكس ثلاثية الطور، قادرة على حرق أقطاب كهربائية محمية حتى 6.0 مم. نتيجة لتحسين تكنولوجيا العاكس مع خصائص اللحام العمودي، فإنها توفر قوسًا مستقرًا وأداءً إعادة إشعال جيد. هناك 3 أوضاع لتوفير خصائص القوس المثالية لجميع الأقطاب الكهربائية المحمية الروتيلية والأساسية و سيلولوزيك . مع زر "التشغيل الساخن"، يتم زيادة قدرة الإشعال للأقطاب الكهربائية، ومع زر قوة القوس، يمكن تقليل ميل الأقطاب الكهربائية إلى حدوث ماس كهربائي والالتصاق بحوض اللحام. يمكن استخدامها أيضًا كآلة لحام قوسي بغاز التنغستن ذات التيار المباشر بواسطة طريقة البدء بالقوس وذلك عن طريق لمس طرف التنغستن بقطعة العمل باستخدام شعلة اللحام القوسي بغاز التنغستن المزودة بصمام. يمكن أيضًا استخدام معرف 400E مع كابلات اللحام التي يصل طولها إلى 25 مترًا. إنها تسمح بالتحكم عن بعد في تيار اللحام مع خيارات التحكم عن بعد السلكية واللاسلكية الاختيارية. يتم تبريد الجهاز مبروحة وتتمتع بحماية حرارية ضد ارتفاع درجة الحرارة.


1.2 مكونات الآلة






الشكل 1: ID 400E

- | | |
|-----------------------------------|---------------------------------|
| 7- زر اختبار وضع اللحام | 1- وعاء تعديل التيار |
| 8- مقبس الكابل المصدر والأرضي (-) | 2- المؤشر الحالي |
| 9- المقبض | 3- مؤشر الجهد |
| 10- مدخل اتصال التحكم عن بعد | 4- مقبس كابل المصدر والأرضي (+) |
| 11- زر تشغيل/إيقاف | 5- وعاء البداية الساخنة |
| 12- مدخل كابل التغذية | 6- وعاء آر ك فور |

I.3 ملصق المنتج

MAGMA MEKATRONİK MAKİNE SAN. VE TİC. A.Ş. Organize Sanayi Bölgesi 5.Kısım Manisa-TÜRKİYE									
ID 400 E					Seri No:				
					EN 60974-1 / EN 60974-10 / Class A				
5A / 20.2V - 400A / 36V					5A / 10.2V - 400A / 26V				
X					X				
35%					35%				
60%					60%				
100%					100%				
I_2					I_2				
400A					400A				
306A					306A				
237A					237A				
U_2					U_2				
36V					26V				
32.2V					22.2V				
29.5V					19.5V				
I_1					I_1				
33.2A					26.5A				
25A					19.5A				
19.1A					14A				
S_1					S_1				
22.9kVA					18.3kVA				
17.2kVA					13.5kVA				
13.2kVA					9.7kVA				
$U_0=86V$					$U_0=86V$				
$I_{1max}=33.2A$					$I_{1max}=26.5A$				
$I_{1eff}=19.6A$					$I_{1eff}=15.7A$				
$U_1=400V$					$U_1=400V$				
$I_{1max}=33.2A$					$I_{1max}=26.5A$				
$I_{1eff}=19.6A$					$I_{1eff}=15.7A$				
3-50-60Hz					3-50-60Hz				
IP21S					CE				

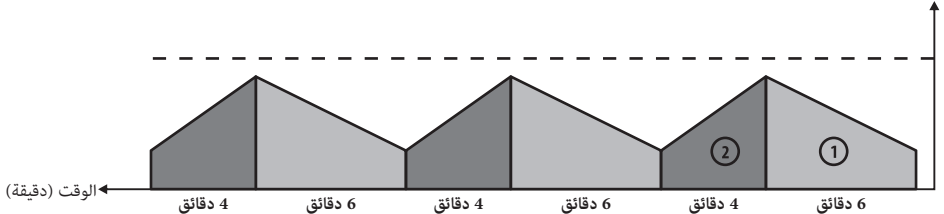
دورة العمل X

مقوم محول ثلاثي الطور جهد التشغيل الخام U_0 لحام قوسي بغاز التنغست جهد وتردد التيار الكهربائي U_1 لحام قوسي كهربائي محجب تصنيف جهد اللحام U_2 التيار المباشر تصنيف التيار المسحوب من التيار الكهربائي I_1 الخاصية العمودية تصنيف تيار اللحام I_2 مدخلات التيار الكهربائي- تيار متردد ثلاثي الطور القوة المسحوبة من التيار الكهربائي S_1 مناسب للعمل في البيئات الخطرة 

فئة الحماية IP21S

دورة العمل

درجة الحرارة (درجة مئوية)



كما هو محدد في معيار EN 60974-1، فإن معدل دورة العمل يشمل فترة زمنية مدتها 10 دقائق. على سبيل المثال، إذا كنت تريد العمل على 250 أمبير على جهاز محدد بـ 250 أمبير عند 60%، يمكن للآلة القيام باللحام / القطع دون توقف في أول 6 دقائق من فترة 10 دقائق (المنطقة 1). ومع ذلك، يجب ترك الآلة في وضع الخمول لمدة 4 دقائق قادمة حتى تبرد (المنطقة 2).

1.4 المواصفات الفنية

قيمة	الوحدة	المواصفات الفنية
400	فولت	مدخل التيار الكهربائي (3 فاز 50-60 هرتز)
22.9	كيلو فولت أمبير	القوة المسحوبة من التيار الكهربائي
5 - 400	أمبير التيار المباشر	نطاق ضبط تيار اللحام
400 (%35)	أمبير التيار المباشر	تصنيف تيار اللحام (%35)
86	فولت التيار المباشر	جهد الدارة المفتوحة
1.60 - 6.00	مم	نطاق قطر اللحام الكهربائي
585 x 307 x 515	مم	الأبعاد (الطول × العرض × الارتفاع)
32	كغ	الوزن
IP 21S		فئة الحماية

1.5 الملحقات

كود المنتج	قطعة	الملحقات القياسية
7905203503 (35 مم ² - 3 م)	1	كماشة التآريض والكابلات
7906203503 (35 مم ² - 3 م)	1	حامل القطب الكهربائي والكابل
كود المنتج	قطعة	الملحقات الاختيارية
7900000210	1	جهاز التحكم عن بعد 10 م
7900000220	1	جهاز التحكم عن بعد 20 م
7900000230	1	جهاز التحكم عن بعد 30 م
7900000240	1	جهاز التحكم عن بعد 40 م
7900000250	1	جهاز التحكم عن بعد 50 م
7900000600	1	عربة النقل
7900000804	1	الرف (4 عمودي)
7900000807	1	الرف (6 عمودي)
7900000809	1	الرف (9 عمودي)
7111020004	1	لافا (4 TIG 20V م) الشعلة
7111020008	1	لافا (8 TIG 20V م) الشعلة

معلومات التثبيت

2.1 الأمور التي يجب مراعاتها عند التسليم

تأكد من وصول جميع العناصر التي طلبتها. إذا كانت أي مادة مفقودة أو تالفة ، فاتصل بمكان الشراء على الفور.

يحتوي الصندوق القياسي على:

- الآلة الرئيسية وكابل التيار الكهربائي المتصل بها
- كمامة التأريض والكابلات
- حامل وكمامة القطب الكهربائي

في حالة التسليم التالف ، احتفظ بمحضر ، التقط صورة للضرر ، قم بإخطار شركة الشحن بصورة بوليصة الشحن. إذا استمرت المشكلة ، فاتصل بخدمة العملاء.

الرموز الموجودة على الآلة ومعانيه

إن عملية اللحام هي عملية تحتوي على خطر. يجب توفير ظروف العمل المناسبة واتخاذ الاحتياطات اللازمة. الخبراء مسؤولون عن الآلة ويجب عليهم توفير المعدات اللازمة. يجب إبعاد الأشخاص غير المعنيين عن منطقة اللحام.



هذا الجهاز غير متوافق مع IEC 61000-3-12. في حالة الرغبة في الاتصال بتيار الجهد المنخفض المستخدمة في المنازل ، يجب أن يكون المثبت الذي سيجري التوصيل الكهربائي أو الشخص الذي سيستخدم الآلة على علم باتصال الآلة، في هذه الحالة ، تقع المسؤولية على عاتق المستخدم



يجب الانتباه إلى رموز الأمان وملاحظات التحذير الموجودة على الآلة وفي دليل المستخدم، ويجب عدم إزالة الملصقات.



الشبكات تهدف للتهوية. يجب عدم تغطية الفتحات لتوفير تبريد جيد ويجب عدم إدخال أجسام غريبة.



2.2 توصيات التثبيت والتشغيل

- اتخاذ الإجراءات اللازمة وفق معايير الصحة والسلامة المهنية. ويجب اتخاذ الترتيبات اللازمة في مكان العمل للتأكد من أن عملية النقل تتم وفق شروط الصحة والسلامة قدر الإمكان. ويجب اتخاذ الاحتياطات اللازمة بما يتناسب مع خصائص بيئة العمل ومتطلبات الوظيفة. ضع الجهاز على سطح صلب ومستو وأملس بحيث لا يسقط أو ينقلب
- في الحالات التي تتجاوز فيها درجة الحرارة المحيطة 40 درجة مئوية ، قم بتشغيل الآلة بتيار أقل أو بمعدل دورة أعلى.
- تجنب اللحام في الخارج عندما تكون هناك رياح وأمطار. إذا كان اللحام إلزامياً في مثل هذه الحالات، قم بحماية منطقة اللحام وآلة اللحام بالستائر والمظلات. إذا كنت تقوم باللحام في الداخل، فاستخدم نظاماً مناسباً لاستخراج الدخان. في حالة وجود خطر استنشاق أبخرة وغازات اللحام في الأماكن المغلقة، استخدم أجهزة التنفس.
- قم باتباع معدلات دورة العمل المحددة على ملصق المنتج. قد يؤدي تجاوز معدلات دورة العمل بشكل متكرر إلى تلف الجهاز، مما قد يؤدي إلى إبطال الضمان.
- استخدم صمام التأمين المناسب لنظامك.
- قم بتوصيل كابل التأريض بإحكام قدر الإمكان بالقرب من منطقة اللحام.
- لا تسمح لتيار اللحام بالمرور عبر معدات أخرى غير كابلات اللحام.
- ثبت أسطوانة الغاز بسلسلة على الحائط.
- لا ينبغي أن تكون كابلات اللحام وكابلات التيار الكهربائي ملفوفة حول هيكل الآلة أثناء التشغيل.

2.3 توصيل قابس الكهرباء



من أجل سلامتك ، ال تستخدم أبدا كبل التيار الكهربائي الخاص بأآلة بدون قابس

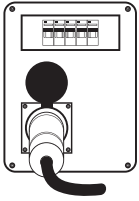
- نظراً لاحتمال وجود مقابس مختلفة في المصانع ومواقع البناء وورش العمل، لا يتم توصيل القابس بكابلات التيار الكهربائي. يجب توصيل قابس مناسباً بالمقبس بواسطة كهربائي مؤهل. تأكد من وجود السلك الأرضي، الملون باللون الأصفر/الأخضر والمميز بـ (⊕).
- بعد توصيل القابس بالكابل، لا تقم بتوصيله بالمقبس في هذه المرحلة.

AR

2.4 التوصيل بالتيار الكهربائي



عند إدخال القابس في المقبس، تأكد من أن مفتاح التشغيل/الإيقاف الخاص بالجهاز في الوضع "0"

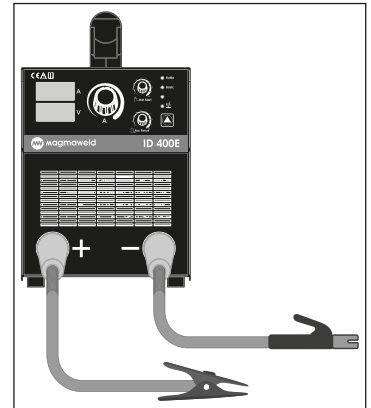


- قم بفحص الأطوار الثلاثة بواسطة الفولتميتر قبل توصيل الجهاز بالتيار الكهربائي. بعد التأكد من وجود 400 فولت (± 40 فولت) بين كل طور، قم بتوصيل القابس بالمأخذ.
- قم بتشغيل الجهاز باستخدام مفتاح التشغيل/الإيقاف.
- بعد سماع صوت المروحة ورؤية أضواء الفولتميتر ومقياس التيار الكهربائي مضاءة ، أعد المفتاح إلى "0" وأوقف تشغيل الجهاز.

الشكل 2: اتصال الشبكة

2.5 وصلات من أجل اللحام الكهربائي المغطى

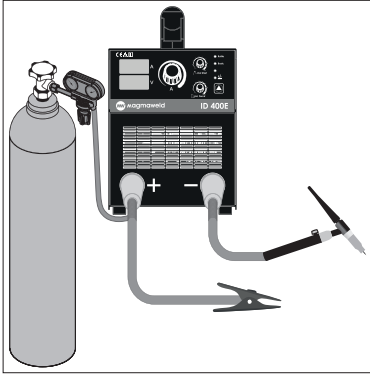
- أحكم ربط كابلات اللحام والتأريض في مقابس كابلات اللحام والتأريض عن طريق تدويرها في اتجاه عقارب الساعة، وفقاً للقطب الكهربائي الذي سيتم استخدامه والقطب الكهربائي الموصى به من قبل الشركة المصنعة للقطب الكهربائي.
- قم بتوصيل كمامة التأريض بقطعة العمل في أقرب مكان ممكن من منطقة اللحام.



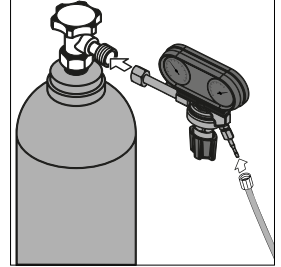
الشكل 3: اتصالات لحام MMA

2.6 اتصالات لحام TIG

- يجب استخدام شعلة اللحام القوسي بغاز التنغستن ذات صمام الغاز.
- قم بتوصيل كابل الطاقة الخاص بشعلة اللحام القوسي بغاز التنغستن بالمقبس السالب وتوصيل كابل التأريض بالمقبس الموجب.
- قم بتوصيل منظم غاز الأرجون بأسطوانة غاز الأرجون.
- قم بتوصيل خرطوم الغاز الخاص بالشعلة بمنظم الغاز.
- اترك صمام أسطوانة الغاز مفتوحًا لبعض الوقت لإزالة الرواسب والجسيمات المحتملة.



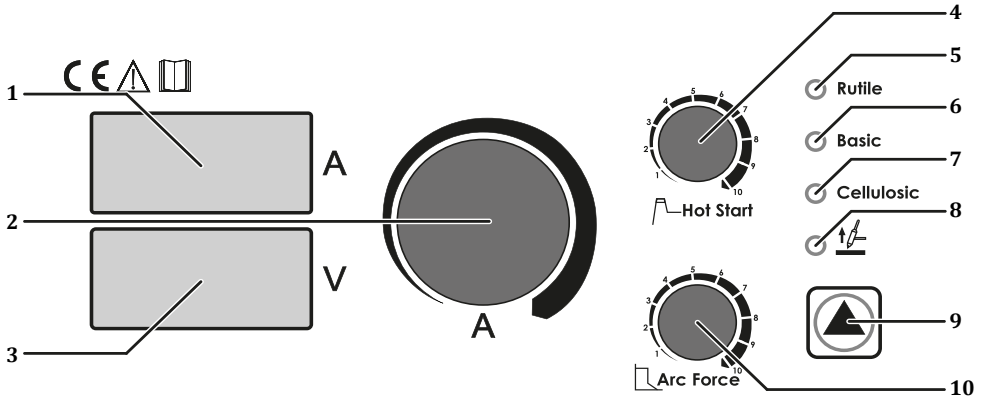
الشكل 5: اتصال لحام TIG



الشكل 4: اتصال اسطوانة الغاز

معلومات الإستخدام ✂

3.1 واجهة المستخدم



ID 400E

1	مؤشر التيار إنه يوضح تيار اللحام أثناء قيام الآلة باللحام، وتيار اللحام المحدد بخلاف ذلك
2	زر ضبط التيار يتم ضبط تيار اللحام ضمن نطاق 400-5 أمبير
3	مؤشر الجهد إنه يوضح جهد اللحام أثناء لحام الماكينة، وجهد التشغيل الخامل خارج ذلك
4	زر التشغيل الساخن يتم استخدامه لتوفير اشتعال أفضل في أوضاع لحام القطب الكهربائي المحجب
5	مصباح القطب الكهربائي الروتيلي عندما يتم إجراء لحام القطب الكهربائي المحجب باستخدام القطب الكهربائي الروتيلي، يتم تحديد وضع اللحام باستخدام زر الاختيار.
6	مصباح القطب الكهربائي الأساسي عندما يتم إجراء لحام القطب الكهربائي المحجب باستخدام القطب الكهربائي الأساسي، يتم تحديد وضع اللحام باستخدام زر الاختيار.
7	مصباح القطب الكهربائي سيلولوزيك عندما يتم إجراء لحام القطب الكهربائي المحجب باستخدام القطب الكهربائي سيلولوزيك ، يتم تحديد وضع اللحام باستخدام زر الاختيار.
8	مصباح اللحام القوسي بغاز التنغستن المتلامس عندما يتم إجراء مصباح اللحام القوسي بغاز التنغستن المتلامس، يتم تحديد وضع اللحام باستخدام زر الاختيار.
9	زر اختيار وضع اللحام / وظيفة جهاز تخفيض الجهد يتم استخدامه لاختيار أحد أوضاع لحام القطب الكهربائي المحجب واللحام القوسي بغاز التنغستن المتلامس أو للوصول إلى وظيفة جهاز تخفيض الجهد. للوصول إلى جهاز تخفيض الجهد، يجب عليك الضغط مع الاستمرار على هذا الزر لمدة 3 ثوانٍ

إذا كنت تريد تنشيط وظيفة VRD، فيجب عليك إدارة المقبض رقم 2 (مقبض الضبط الحالي) إلى وضع التشغيل. بهذه الطريقة، ينخفض جهد تيار الخرج إلى أقل من 12 فولت. يمكنك الضغط على الزر رقم 9 (زر تحديد وضع المصدر / وظيفة VRD) مرة أخرى للوصول إلى الشاشة الرئيسية. عندما تريد إيقاف تشغيل وظيفة VRD، يمكنك الضغط مع الاستمرار على الزر رقم 9 لمدة 3 ثوانٍ للوصول إلى شاشة وظيفة VRD. يجب عليك إيقاف وظيفة VRD عن طريق إدارة المقبض رقم 2. للعودة إلى الشاشة الرئيسية، يجب عليك الضغط على الزر 9 مرة أخرى.	
زر قوة القوس يتم استخدامه في أوضاع اللحام MMA لتقليل ميل القطب إلى الالتصاق بحوض اللحام.	10

3.2 لحام القطب الكهربائي المحجب

- اختر أحد أوضاع لحام القطب الكهربائي المحجب (الروتيلي، الأساسي، سيلولوزيك) باستخدام زر اختيار وضع اللحام. سيتم تشغيل مؤشر المصباح الخاص بوضع لحام القطب الكهربائي المحجب الذي حددته.
- اضبط تيار اللحام بزر ضبط التيار.
- يتكون الجدول أدناه من القيم التقريبية للحام الأقطاب الفولاذية غير سبائكية. للحصول على المعلومات الدقيقة، اتبع توصيات الشركة المصنعة للقطب الكهربائي.

قطر القطب الكهربائي المحجب (مم)	تيار اللحام الموصى به روتيل	تيار اللحام الموصى به أساسي	السيلولوز
2.0	40-60 أ	-	-
2.5	60-90 أ	60-90 أ	60-100 أ
3.25	100-140 أ	100-130 أ	70-130 أ
4.0	140-180 أ	140-180 أ	120-170 أ
5.0	200-240 أ	200-250 أ	160-200 أ
6.0	260-300 أ	-	-

- إذا كانت هناك صعوبة في الإشعال الأولي لأسباب مثل سماكة المادة أو برودة المادة، قم بتدوير زر التشغيل الساخن في اتجاه عقارب الساعة. عندما يصبح إعداد "التشغيل الساخن" أكثر من اللازم فقد يحرق القوس القطعة.
- يمكن استخدام قوة القوس للأقطاب الكهربائية التي تميل إلى الالتصاق بحوض اللحام وتتسبب في انقراض القوس. يؤدي تدوير قوة القوس في اتجاه عقارب الساعة إلى تقليل الالتصاق. مع زيادة مستوى قوة القوس، يصبح القوس أكثر عدوانية ويمكن ملاحظة التقلبات في التيار.
- قم بالبدء باللحام. "يمكنك متابعة تيار اللحام اللحظي من مؤشر التيار وجهد اللحام من مؤشر الجهد.

3.3 لحام قوسي بغاز التنغستن المتلامس

- اختر وضع لحام قوسي بغاز التنغستن المتلامس من خلال زر اختيار وضع اللحام. سيتم تشغيل مؤشر ليد اللحام القوسي بغاز التنغستن المتلامس.
- اضبط تيار اللحام بزر ضبط التيار.
- قم بالبدء باللحام. "يمكنك متابعة تيار اللحام اللحظي من مؤشر التيار وجهد اللحام من مؤشر الجهد.

3.4 جهاز التحكم عن بعد (اختياري)

- من الممكن التحكم في الماكينة من مسافات بعيد باستخدام خيارات التحكم عن بعد السلوكية التي يمكنك الحصول عليها من شركة Magmaweld. في هذه الحالة، يجب تثبيت مقبس التحكم المناسب على الجهاز بواسطة خدمة Magmaweld المعتمدة.
- عند توصيل جهاز التحكم عن بعد بالآلة، يتم تعطيل زر ضبط التيار الموجود بالجهاز تلقائيًا ويتم إجراء ضبط التيار باستخدام جهاز التحكم عن بعد.

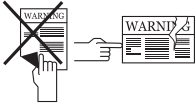
معلومات الصيانة والأعطال

- يجب أن يتم إجراء الصيانة والإصلاحات للآلة بواسطة أشخاص مختصين. شركتنا ليست مسؤولة عن الحوادث التي قد تحدث نتيجة تدخلات من قبل أشخاص غير مصرح لهم.
- يمكنك الحصول على الأجزاء التي سيتم استخدامها أثناء الإصلاح من خدماتنا المعتمدة. سيؤدي استخدام قطع الغيار الأصلية إلى إطالة عمر جهازك ومنع فقدان الأداء.
- استشر دائماً الشركة المصنعة أو مركز الخدمة المعتمد المحدد من قبل الشركة المصنعة.
- أي محاولة غير مصرح بها من قبل الشركة المصنعة خلال فترة الضمان ستبطل جميع أحكام الضمان.
- تأكد من الامتثال لقواعد السلامة الحالية أثناء عمليات الصيانة والإصلاح.
- قبل اتخاذ أي إجراء لإصلاح الجهاز ، افصل قابس التيار الكهربائي بالجهاز وانتظر لمدة 10 ثوانٍ حتى تفرغ المكثفات.

4.1 الصيانة

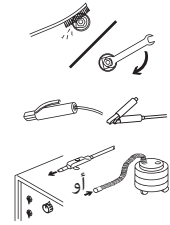
الصيانة اليومية

- لا تقم بإزالة ملصقات التحذير من على الجهاز. استبدل الملصقات البالية / الممزقة بأخرى جديدة. يمكنك الحصول على الملصقات من الخدمة المعتمدة.
- تحقق من الشعلة والكماشة والكابلات. انتبه إلى التوصيلات وماتنة الأجزاء. استبدل الأجزاء التالفة / المعيبة بأخرى جديدة. لا تقم أبداً بإضافة / إصلاح الكابلات.
- تأكد من وجود مساحة كافية للتتهوية.
- قبل بدء اللحام ، افحص تدفق الغاز من طرف الشعلة باستخدام مقياس التدفق. إذا كان تدفق الغاز مرتفعاً أو منخفضاً ، فقم بإحضاره إلى المستوى المناسب لإجراء اللحام.



مرة كل 6 شهور

- قم بتنظيف وشد الأجزاء الموصلة مثل البراغي والصواميل.
- تحقق من كمامة القطب الكهربائي وكابلات كمامة التأريض.
- افتح الأغطية الجانبية للآلة ونظفها بضغط هواء جاف منخفض. لا تستخدم الهواء المضغوط من مسافة قريبة إلى المكونات الإلكترونية.
- تحقق من المقبس الذي يتصل به قابس تغذية التيار الكهربائي الخاص بالآلة. إذا كان هناك أي ارتخاء في نقاط توصيل كابل الطاقة بالمقبس، فقم بإزالته. إذا كان هناك انحناء أو اتساع في فتحات المقبس، فاستبدله بأخر جديد.
- افحص قابس التيار الكهربائي الخاص بالآلة. إذا كان هناك أي ارتخاء في نقاط توصيل الكابل داخل قابس التيار الكهربائي، فقم بإزالته. "إذا كان هناك تقوس أو تشوه في نهايات القابس، فاستبدله بأخر جديد."



ملاحظة: الفترات المذكورة أعلاه هي الفترات القصوى التي يجب تطبيقها إذا لم يواجه جهازك أي مشاكل. يمكنك تكرار العمليات المذكورة أعلاه بشكل متكرر ، اعتماداً على كثافة بيئة عملك وتلوثها.

لا تقم أبداً باللحام وأغطية اللحام مفتوحة

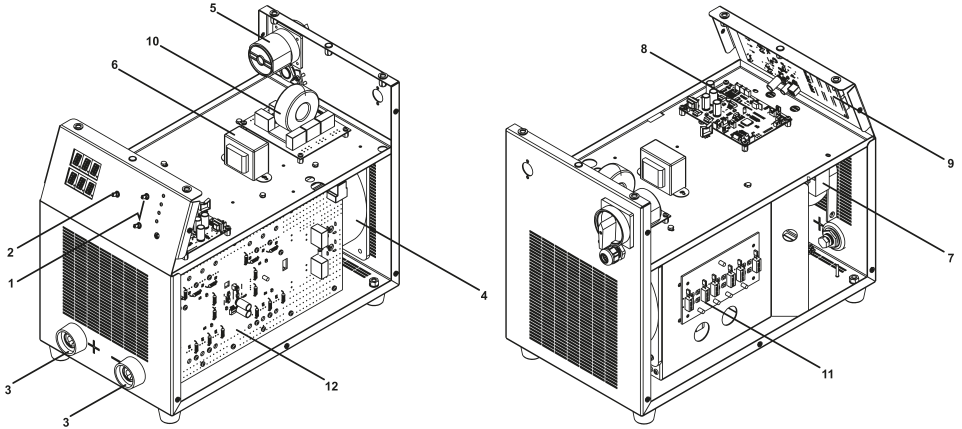


4.2 رموز الأخطاء

رمز الخطأ	الخطأ	السبب	الحل
ERR-T1	خطأ حراري	<ul style="list-style-type: none"> قد تتعرض الماكينة لسخونة زائدة نتيجة اللحام لفترة طويلة في درجات حرارة عالية أو قيم أمبيرية عالية في الهواء. 	<ul style="list-style-type: none"> اترك الجهاز قيد التشغيل لبعض الوقت حتى تقوم المروحة بتبريد الجهاز. بمجرد أن يبرد الجهاز وظهور رسالة الخطأ، يمكنك متابعة اللحام
E02	خطأ في وحدة الطاقة	<ul style="list-style-type: none"> قد يكون هناك عطل في البطاقة الإلكترونية 	<ul style="list-style-type: none"> قم بإيقاف تشغيل الجهاز وتشغيله. إذا استمرت المشكلة، تحقق من جهد التيار الكهربائي. إذا استمرت المشكلة على الرغم من أن جهد التيار الكهربائي طبيعي، فاتصل بالخدمة المعتمدة
E04	جهد التيار الكهربائي منخفض	<ul style="list-style-type: none"> ربما انخفض جهد التيار الكهربائي 	<ul style="list-style-type: none"> التحقق من كابلات توصيل التيار الكهربائي والجهد. تأكد من إدخال الجهد الصحيح. إذا كان جهد التيار الكهربائي طبيعياً، فاتصل بالخدمة المعتمدة
E08	جهد التيار الكهربائي مرتفع	<ul style="list-style-type: none"> ربما يكون جهد التيار الكهربائي قد زاد 	<ul style="list-style-type: none"> التحقق من كابلات توصيل التيار الكهربائي والجهد. تأكد من إدخال الجهد الصحيح. إذا كان جهد التيار الكهربائي طبيعياً، فاتصل بالخدمة المعتمدة

المرفقات

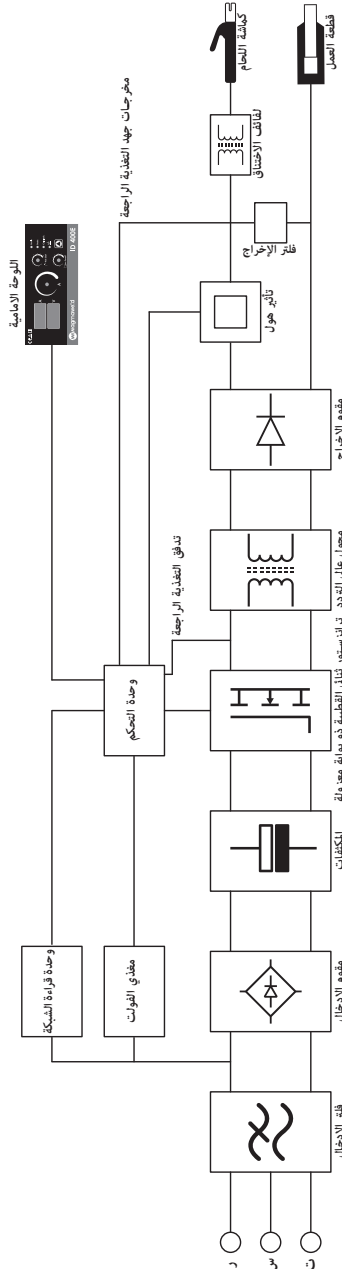
5.1 قوائم قطع الغيار



ID 400E	التعريف	الرقم
A229500001	مقبض الفاعلية-صغير	1
A229500002	مقبض الفاعلية-كبير	2
A377900106	مقبس اللحام	3
A250200015	معجب	4
A308033005	باكو سونيتش	5
A366100004	محول التحكم	6
A830900008	مستشعر تأثير هول	7
K405000130	البطاقة الإلكترونية E202A-3-400	8
K405000137	البطاقة الإلكترونية E202A-12	9
K405000199	البطاقة الإلكترونية E202A-FLT V1.1	10
K405000218	(E202A-4A (400E V2 البطاقة الإلكترونية	11
K405000219	(E206A-1 V1.4 (400E V2 البطاقة الإلكترونية	12
A314800107	منظم حرارة ذو سوط	
A366000025	محول الطاقة	
A430100012	مقوم فائق السرعة	
A421000027	وشعة	

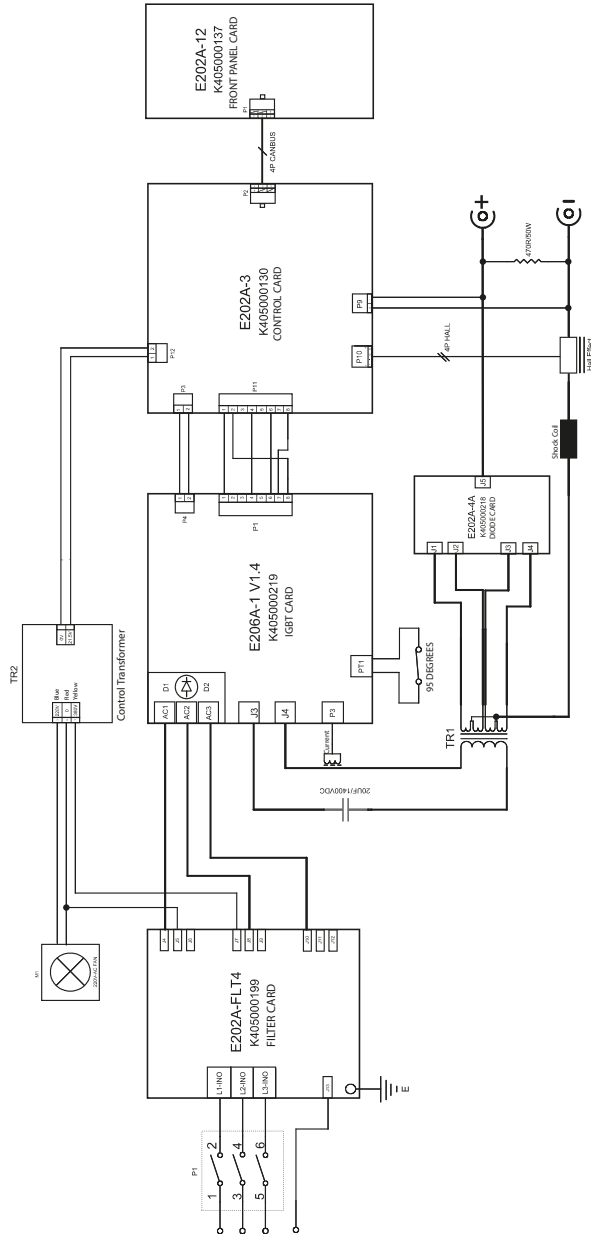
5.2 مخططات الأسلاك

مخطط الكتلة



AR

مخططات الدائرة



AR

معلومات المنتج

	الطرز
	الرقم التسلسلي
	الصانع
MAGMA MEKATRONİK MAKİNE SANAYİ VE TİCARET A.Ş.	الاسم
Organize Sanayi Bölgesi 5. Kısım MANİSA	العنوان
+90 236 226 27 00 / info@magmaweld.com	الهاتف / البريد الإلكتروني

معلومات الشراء

	اسم البائع
	المدينة / البلد
	الهاتف / البريد الإلكتروني
	تاريخ الشراء

معلومات العميل

	اسم الشركة
	المدينة / البلد
	الهاتف / البريد الإلكتروني
	اسم جهة الاتصال

معلومات الخدمة (إن وجدت)

	اسم الشركة
	اسم الشخص الفني
	تاريخ التكليف (تاريخ بدء الضمان)

يرجى زيارة موقع الويب www.magmaweld.com/warranty-terms/wt للاطلاع على شروط الضمان.



İÇİNDEKİLER

GÜVENLİK KURALLARI	72
1 TEKNİK BİLGİLER	
1.1 Genel Açıklamalar	78
1.2 Makine Bileşenleri	78
1.3 Ürün Etiketi	79
1.4 Teknik Özellikler	80
1.5 Aksesuarlar	80
2 KURULUM BİLGİLERİ	
2.1 Teslim Alırken Dikkat Edilecek Hususlar	81
2.2 Kurulum ve Çalışma Tavsiyeleri	81
2.3 Elektrik Fişi Bağlantısı	82
2.4 Şebekeye Bağlama	82
2.5 Örtülü Elektrod Kaynağı İçin Bağlantılar	82
2.6 Temaslı TIG Kaynağı İçin Bağlantılar	82
3 KULLANIM BİLGİLERİ	
3.1 Kullanıcı Arayüzü	83
3.2 Örtülü Elektrod Kaynağı	84
3.3 Temaslı TIG Kaynağı	84
3.4 Uzaktan Kumanda (Opsiyonel)	84
4 BAKIM VE ARIZA BİLGİLERİ	
4.1 Bakım	85
4.2 Hata Kodları	86
5 EKLER	
5.1 Yedek Parça Listesi	87
5.2 Bağlantı Şemaları	88

✓ GÜVENLİK KURALLARI

Kılavuzda Yer Alan Tüm Güvenlik Kurallarına Uyun!

Güvenlik Bilgilerinin Tanınması



- Kılavuzda yer alan güvenlik sembolleri potansiyel tehlikelerin tanımlanmasında kullanılır.
- Bu kılavuzda herhangi bir güvenlik sembolü görüldüğünde, bir yaralanma riski olduğu anlaşılmalı ve takip eden açıklamalar dikkatlice okunarak olası tehlikeler engellenmelidir.
- Makine sahibi, yetkisiz kişilerin ekipmana erişmesini engellemekten sorumludur.
- Makineyi kullanan kişiler kaynak / kesme konusunda deneyimli veya tam eğitilmiş kişiler olup, çalışma öncesinde kullanma kılavuzunu okumalı ve güvenlik uyarılarına uymalıdır.

Güvenlik Sembollerinin Tanınması



DİKKAT

Yaralanma ya da hasara neden olabilecek potansiyel tehlikeli bir durumu belirtir. Önlem alınmaması durumunda yaralanmalara veya maddi kayıplara / hasarlara neden olabilir.



ÖNEMLİ

Kullanıma yönelik bilgilendirmeleri ve uyarıları belirtir.



TEHLİKE

Ciddi tehlike olduğunu gösterir. Kaçınılması durumunda ölüm veya ağır yaralanmalar meydana gelebilir.

Güvenlik Uyarılarının Kavranması



- Kullanım kılavuzunu, makine üzerindeki etiket ve güvenlik uyarılarını dikkatli bir şekilde okuyunuz.
- Makine üzerindeki uyarı etiketlerinin iyi durumda olduğundan emin olunuz. Eksik ve hasarlı etiketleri değiştiriniz.
- Makinenin nasıl çalıştırıldığını, kontrollerinin doğru bir şekilde nasıl yapılacağını öğreniniz.
- Makinenizi uygun çalışma ortamlarında kullanınız.
- Makinenizde yapılabilecek uygunsuz değişiklikler makinenizin güvenli çalışmasına ve kullanım ömrüne olumsuz etki eder.
- Cihazın belirtilen koşullar dışında çalıştırılmasından doğan sonuçlardan üretici sorumlu değildir.

Elektrik Çarpmaları Öldürebilir



Kurulum prosedürlerinin ulusal elektrik standartlarına ve diğer ilgili yönetmeliklere uygun olduğundan emin olun ve makinenin yetkili kişiler tarafından kurulmasını sağlayın.

- Kuru ve sağlam izolasyonlu eldiven ve iş önlüğü giyin. Islak ya da hasar görmüş eldiven ve iş önlüklerini kesinlikle kullanmayın.
- Yanma riskine karşı alev dayanıklı koruyucu kıyafetler giyin. Operatörün kullandığı kıyafetler kıvılcım, sıçrıntı ve ark radyasyonuna karşı koruyucu olmalıdır.
- Yalnız başınıza çalışmayın. Bir tehlike durumunda, çalıştığınız ortamda haber verebileceğiniz birinin olduğundan emin olun.
- Elektroda çıplak elle dokunmayın. Elektrod penselinin veya elektrodun herhangi bir kişi ya da topraklanmış nesne ile temas etmesini engelleyin.
- Elektrik taşıyan parçalara kesinlikle dokunmayın.
- Eğer çalışma yüzeyine, zemine ya da başka bir makineye bağlı elektrodla temas halindeyseniz kesinlikle elektrodla dokunmayın.
- Çalışma yüzeyinden ve zeminden kendinizi izole ederek olası muhtemel elektrik şoklarından koruna bilirsiniz. Çalışma yüzeyiyle operatörün temasını kesecek kadar büyük, yamaz, elektriksiz ağırdan yalıtıkan, kuru ve hasarsız izolasyon malzemesi kullanın.
- Elektrod pensesine birden fazla elektrod bağlamayın.
- Topraklama penselerini çalışma parçası ya da çalışma masasına metal metale iyi bir temas sağlayacak şekilde olabildiğince yakın bağlayın.
- Makineyi çalıştırmadan önce torcu kontrol edin. Torcun ve kablolarının iyi durumda olduğundan emin olun. Hasarlı, yıpranmış torcu mutlaka değiştirin.
- Çift açık devre voltajı olacağı için 2 farklı makineye bağlı elektrod penselerine aynı anda dokunmayın.
- Makineyi kullanmadığınız durumlarda kapalı tutun ve kabloların bağlantılarını sökün.
- Makineyi tamir etmeden önce tüm güç bağlantılarını ve/veya bağlantı fişlerini çıkartın ya da makineyi kapatın.
- Uzun şebeke kablosu kullanırken dikkatli olun.
- Tüm bağlantıların sıkı, temiz ve kuru olduğundan emin olun.

- Kabloların kuru, temiz olmasına ve yağlanmamasına özen gösterin. Sıcak metal parçalardan ve kıvılcıklardan koruyun.
- İzolasyonsuz, çıplak kablolar ölümcül tehlike yaratır. Tüm kabloları olası hasarlarla karşı sık sık kontrol edin. Hasarlı ya da izolasyonsuz bir kablo tespit edildiğinde derhal tamir edin veya değiştirin.
- Topraklama sensesi iş parçasına bağlı değil ise herhangi bir metal nesneyle temasını önlemek için izole edin.
- Elektrik hattının topraklamasının doğru yapıldığından emin olun.
- AC kaynak çıkışı ıslak, nemli ya da sıkışık alanlarda ve düşme tehlikesi bulunan yerlerde kullanmayın.
- AC çıkışı yalnızca kaynak prosesi için gerekli olduğu durumlarda kullanın.
- AC çıkış gerekli olduğu durumlarda eğer makinanızda mevcut ise uzaktan kontrol ünitesini kullanın.

Aşağıdaki elektriksiz açıldan tehlike içeren durumlardan biri mevcut olduğunda ekstra güvenlik önlemleri alın;

- Nemli yerlerdeyken veya ıslak kıyafetler giyerken,
 - Metal zemin, ızgara veya iskele yapılarında iken,
 - Oturma, diz çökme veya yatma gibi sıkışık konumlarda iken,
 - İş parçası veya zemine temas etme riski yüksek veya kaçınılmaz olduğunda.
- Bu durumlarda aşağıdaki ekipmanlar kullanılabilir;
- Yarı otomatik DC sabit gerilim (CV) MIG kaynak makinesi,
 - DC manuel Örtülü elektrod kaynak makinesi,
 - Var ise düşük açık devre gerilimine (VRD) sahip DC veya AC kaynak makinesi.

**Elektrik Çarpması
Durumunda
Uygulanması
Gerekenler**



- Elektrik gücünü kapatın.
- Elektrik şokuna kapılmış kazazedeyi elektrik taşıyan kablo veya parçalardan kurtarmak için kuru odun gibi iletken olmayan malzemeler kullanın.
- Acil servisi arayın.

İlk yardım eğitiminiz var ise;

- Kazazede nefes alamıyorsa elektrik kaynağı ile teması kesildikten hemen sonra kalp masajı (CPR) uygulayın. Solunum başlayana veya yardım gelene kadar kalp masajına devam edin.
- Otomatik bir elektronik defibrilatörün (AED) mevcut olduğu durumlarda talimatlara uygun şekilde kullanın.
- Elektrik yanığını termal yanık gibi soğuk kompres uygulayarak tedavi edin.
- Enfeksiyon kapmasını önleyin ve temiz, kuru bir örtü ile örtün.

**Hareketli Parçalar
Yaralanmalara
Yol Açabilir**



- Hareket halinde olan nesnelere uzak durun.
- Makine ve cihazlara ait tüm kapak, panel, kapı vb. koruyucuları kapalı ve kilitli tutun.
- Ağır cisimlerin düşme olasılığına karşı metal burunlu ayakkabı giyin.

**Duman ve Gazlar
Sağlığınız İçin
Zararlı Olabilir**



Kaynak ve kesme işlemi yapılırken çıkan duman ve gazın uzun süre solunması çok tehlikelidir.

- Gözlerde, burunda ve boğazda meydana gelen yanma hissi ve tahrişler; yetersiz havalandırmanın belirtileridir. Böyle bir durumda derhal havalandırmayı arttırın, sorunun devam etmesi halinde kaynak / kesme işlemini durdurun.
- Çalışma alanında doğal ya da suni bir havalandırma sistemi oluşturun.
- Kaynak / kesme işlemi yapılan yerlerde uygun bir duman emme sistemi kullanın. Gerekliyse tüm atölyede biriken duman ve gazları dışarıya atabilecek bir sistem kurun. Deşarj esnasında çevreyi kirletmemek için uygun bir filtrasyon sistemi kullanın.
- Dar ve kapalı alanlarda çalışıyorsanız veya kurşun, berilyum, kadmiyum, çinko, kaplı ya da boyalı malzemelerin kaynağını yapıyorsanız, yukarıdaki önlemlere ilave olarak temiz hava sağlayan maskeler kullanın.
- Gaz tüpleri ayrı bir bölgede gruplandırılmışsa buraların iyi havalandırılması sağlayın, gaz tüpleri kullanımında değilken ana vanalarını kapalı tutun, gaz kaçaklarına dikkat edin.
- Argon gibi koruyucu gazlar havadan daha yoğun ve kapalı alanlarda kullanıldıkları takdirde havanın yerine solunabilirler. Bu da sağlığınız için tehlikelidir.
- Kaynak / kesme işlemlerini yağlama veya boyama işlemlerinde açığa çıkan klorlu hidrokarbon buharlarının olduğu ortamlarda yapmayın.
- Bazı kaynak / kesim yapılan parçalar için özel havalandırma gerekir. Özel havalandırma gerektiren ürünlerin güvenlik kuralları dikkatlice okunmalıdır. Gaz maskesi takılması gereken durumlarda uygun gaz maskesi takılmalıdır.

Siçrıntı ve Ark Işığı Gözlerinizi ve Cildinizi Zarar Verebilir



- Gözlerinizi ve yüzünüzü korumak için standarda uygun koruyucu maske ile ona uygun cam filtre kullanın.
- Vücutunuzun diğer çıplak kalan yerlerini (kollar, boyun, kulaklar, vb) uygun koruyucu giysilerle siçrıntı ve ark ışınlarından koruyun.
- Çevrenizdeki kişilerin ark ışınlarından ve sıcak metallere zarar görmemeleri için çalışma alanınızı göz hizasından yüksek, alev dayanıklı paravanlarla çevirin ve uyarı levhaları asın.
- Buz tutmuş boruların ısıtılmasında kullanılmaz. Kaynak / kesme makinesiyle yapılan bu işlem tesisatınızda patlama, yangın veya hasara neden olur.

Kıvılcımlar ve Siçrayan Parçalar Gözlerinizi Yaralayabilir



- Kaynak / kesme yapmak, yüzey taşlamak, fırçalamak gibi işlemler kıvılcımlara ve metal parçacıklarının siçramasına neden olur. Oluşabilecek yaralanmaları önlemek için koruyucu maskesinin altına, kenar korumalıkları olan onaylanmış koruyucu iş gözlükleri takın.

Sıcak Parçalar Ağır Yanıklara Neden Olabilir



- Sıcak parçalara çıplak el ile dokunmayın.
- Makinenin parçaları üzerinde çalışmadan önce soğumaları için gerekli sürenin geçmesini bekleyin.
- Sıcak parçaları tutmanız gerektiğinde, uygun alet, ısıl izolasyonu yüksek kaynak / kesme eldiveni ve yanmaz giysiler kullanın.

Gürültü, Duyma Yeteneğinize Zarar Verebilir



- Bazı ekipman ve işlemlerin oluşturacağı gürültü, duyma yeteneğinize zarar verebilir.
- Eğer gürültü seviyesi yüksek ise onaylanmış kulak koruyucularını takın.

Kaynak Teli Yaralanmalara Yol Açabilir



- Kaynak teli sargısını boşaltırken torcu vücudun herhangi bir bölümüne, diğer kişilere ya da herhangi bir metale doğru tutmayın.
- Kaynak telini makaradan elle açarken özellikle ince çaplarda tel, bir yay gibi elinizden fırlayabilir, size veya çevrenizdeki diğer kişilere zarar verebilir; bu işlemi yaparken özellikle gözlerinizi ve yüzünüzü koruyun.

Kaynak / Kesme İşlemi Yangınlara ve Patlamalara Yol Açabilir



- Yanıcı maddelere yakın yerlerde kesinlikle kaynak / kesim yapmayın. Yangın çıkabilir veya patlamalar olabilir.
- Kaynak / kesme işlemine başlamadan önce bu maddeleri ortamdan uzaklaştırın veya yanmalarını ve harlamalarını önlemek için koruyucu örtülerle üstlerini örtün.
- Bu alanlarda ulusal ve uluslararası özel kurallar geçerlidir.

- Tamamen kapalı tüplere ya da borulara kaynak / kesme işlemi uygulamayın.
- Tüp ve kapalı konteynerlere kaynak / kesme yapmadan önce bunları açın, tamamıyla boşaltıp, havalandırıp temizleyin. Bu tip yerlerde yapacağımız kaynak / kesme işlemlerinde mümkün olan en büyük dikkati gösterin.
- İçinde daha önce, patlama, yangın ya da diğer tepkimelere neden olabilecek maddeler bulunan tüp ve borulara boş dahi olsalar kaynak / kesme yapmayın.
- Kaynak / kesme işlemi esnasında yüksek sıcaklık oluşur. Bu nedenle kolay yanabilecek veya hasar görebilecek yüzeylerin üzerine yerleştirmeyin !

- Kıvılcımlar ve siçrayan parçalar yangına sebep olabilir. Bu nedenle yangın söndürücü tüp, su, kum gibi malzemeleri kolay ulaşabileceğiniz yerlerde bulundurun.
- Yanıcı, patlayıcı ve basınçlı gaz devreleri üzerinde geri tepme ventilleri, gaz regülatörleri ve vanalarını kullanın. Bunların periyodik kontrollerinin yapıpı sağlıklı çalışmasına dikkat edin.

Makine ve Aparatların Yetkisiz Kişiler Tarafından Bakım Yapılması Yaralanmalara Neden Olabilir



- Elektrikli cihazlar yetkisiz kişilere tamir ettirilmemelidir. Burada yapılabilecek hatalar kullanımda ciddi yaralanmalara veya ölümlere neden olabilir
- Gaz devresi elemanları basınç altında çalışmaktadır; yetkisiz kişiler tarafından verilen servisler sonucunda patlamalar olabilir, kullanıcılar ciddi şekilde yaralanabilir.
- Makinenin ve yan birimlerinin her yıl en az bir kez teknik bakımının yaptırılması tavsiye edilir.

Küçük Hacimli Kapalı Alanlarda Kaynak / Kesme



- Küçük hacimli ve kapalı alanlarda mutlaka bir başka kişi eşliğinde kaynak / kesme işlemlerini yapın.
- Mümkün olduğu kadar bu tarz kapalı yerlerde kaynak / kesme işlemleri yapmaktan kaçınınız.

Taşıma Esnasında Gerekli Önlemlerin Alınmaması Kazalara Neden Olabilir



- Makinenin taşınmasında gerekli tüm önlemleri alınız. Taşıma yapılacak alanlar, taşımada kullanılacak parçalar ile taşımayı gerçekleştirecek kişinin fiziki koşulları ve sağlığı taşıma işlemine uygun olmalıdır.
- Bazı makineler son derece ağırdır, bu nedenle yerleri değiştirirken gerekli çevresel güvenlik önlemlerinin alındığından emin olunmalıdır.
- Makine bir platform üzerinden kullanılacaksa, bu platformun uygun yük taşıma sınırlarına sahip olduğu kontrol edilmelidir.
- Bir vasıta yardımı ile (taşıma arabası, forklift vb.) taşınacak ise vasıtanın ve makineyi vasıtaya bağlayan bağlantı noktalarının (taşıma askısı, kayış, civata, somun, tekerlek vb.) sağlamlığından emin olunuz.
- Elle taşıma işlemi gerçekleştirilecek ise Makine aparatlarının (taşıma askısı, kayış vb.) ve bağlantılarının sağlamlığından emin olunuz.
- Gerekli taşıma koşullarının sağlanması için Uluslararası Çalışma Örgütü'nün taşıma ağırlığı ile ilgili kurallarını ve ülkenizde var olan taşıma yönetmeliklerini göz önünde bulundurunuz.
- Güç kaynağının yerini değiştirirken her zaman tutamakları veya taşıma halkalarını kullanın. Asla torç, kablo veya hortumlardan çekmeyin. Gaz tüplerini mutlaka ayrı taşıyın.
- Kaynak / kesme ekipmanlarını taşımadan önce tüm ara bağlantılarını sökün, ayrı ayrı olmak üzere, küçük olanları saplarından, büyükleri ise taşıma halkalarından ya da forklift gibi uygun kaldırma ekipmanları kullanarak kaldırın ve taşıyın.

Düşen Parçalar Yaralanmalara Sebep Olabilir



Güç kaynağının ya da diğer ekipmanların doğru konumlandırılmaması, kişilerde ciddi yaralanmalara ve diğer nesnelere de maddi hasara neden olabilir.

- Makinenin düşmeyecek ve devrilmeyecek şekilde maksimum 10° eğime sahip zemin ve platformlara yerleştirin. Malzeme akışına engel olmayacak, kablo ve hortumlara takılma riskinin oluşmayacağı, hareketsiz; ancak geniş, rahat havalandırılabilir, tozsuz alanları tercih edin. Gaz tüplerinin devrilmemesi için tüpe uygun gaz platformu bulunan makinelerde platformun üzerine, sabit kullanımlarda ise devrilmeyecek şekilde zincirle duvara sabitleyin.
- Operatörlerin makine üzerindeki ayarlara ve bağlantılara kolayca ulaşmasını sağlayın.

Aşırı Kullanım Makinenin Aşırı Isınmasına Neden Olur



- Çalışma çevrimi oranlarına göre makinenin soğumasına müsaade edin.
- Akımı veya çalışma çevrimi oranını tekrar kaynağa / kesmeye başlamadan önce düşürün.
- Makinenin havalandırma girişlerinin önünü kapamayın.
- Makinenin havalandırma girişlerine, üretici onayı olmadan filtre koymayın.

Ark Kaynağı Elektromanyetik Parazitlere Neden Olabilir



Bu cihaz IEC 61000 -3 - 12 uyumlu değildir. Evlerde kullanılan alçak gerilim şebekesine bağlanmak istenmesi durumunda, elektrik bağlantısını yapacak tesisatçının veya makineyi kullanacak kişinin, makinenin bağlanabilirliği konusunda bilgi sahibi olması gereklidir, bu durumda sorumluluk kullanıcıya aittir.

- Çalışma bölgesinin elektromanyetik uyumluluğa (EMC) uygun olduğundan emin olun. Kaynak / kesme işlemi esnasında oluşabilecek elektromanyetik parazitler, elektronik cihazlarınızda ve şebekenizde istenmeyen etkilere neden olabilir. İşlem sırasında oluşabilecek bu parazitlerin neden olabileceği etkiler kullanıcının sorumluluğunda altındadır.
- Eğer herhangi bir parazit oluşuyorsa, uygunluğu sağlamak için; kısa kablo kullanımı, korumalı (zırhlı) kablo kullanımı, makinenin başka bir yere taşınması, kabloların etkilenen cihaz ve/veya bölgeden uzaklaştırılması, filtre kullanımı veya çalışma alanının EMC açısından korunmaya alınması gibi ekstra önlemler alınabilir.
- Olası EMC hasarlarını engellemek için kaynak / kesme işlemlerinizi hassas elektronik cihazlarınızdan mümkün olduğunca uzakta (100 m) gerçekleştirin.
- Makinenizi kullanma kılavuzuna uygun şekilde kurulum yerleştirildiğinden emin olun.

Çalışma Alanının Elektromanyetik Uygunluğunun Değerlendirilmesi



IEC 60974-9 madde 5.2'ye göre;

Kaynak / kesme donanımı tesis etmeden önce, işletme yetkilisi ve / veya kullanıcı, çevredeki olası elektromanyetik parazitler hakkında bir inceleme yapmalıdır. Aşağıda belirtilen haller göz önünde bulundurulmalıdır;

- Kaynak / kesme makinesi ve donanımının üstünde, altında ve yanındaki diğer besleme kabloları, kontrol kabloları, sinyal ve telefon kabloları,
- Radio ve televizyon vericileri ve alıcıları,
- Bilgisayar ve diğer kontrol donanımı,
- Kritik güvenlik donanımı, örneğin endüstriyel donanımın korunması,
- Çevredeki insanların tıbbi aparatları, örneğin kalp pilleri ve işitme cihazları,
- Ölçme veya kalibrasyon için kullanılan donanım,
- Ortamdaki diğer donanımın bağlılığı. Kullanıcı, çevrede kullanılmakta olan diğer donanımın uyumlu olmasını sağlamalıdır. Bu, ilave koruma önlemleri gerektirebilir,
- Kaynak / kesme işleminin gün içindeki gerçekleştirileceği zaman, göz önüne alınarak çevrenin büyüklüğü, binanın yapısına ve binada yapılmakta olan diğer faaliyetlere göre inceleme alanı sınırları genişletilebilir.

Alanın değerlendirilmesine ek olarak cihaz kurulumlarının değerlendirilmesi de bozucu etkinin çözümü için gerekli olabilir. Gerek görülmesi durumunda, yerinde ölçümler azaltıcı önlemlerin verimliliklerini onaylamak için de kullanılabilir.

(Kaynak: IEC 60974-9).

Parazit Azaltma Yöntemleri



- Cihaz tavsiye edilen şekilde ve yetkili bir kişi tarafından elektrik şebekesine bağlanmalıdır. Eğer parazit oluşursa şebekenin filtrelenmesi gibi ek önlemler uygulanabilir. Sabit montajlı ark kaynağı ekipmanının beslemesi metal bir boru içerisinden veya eşdeğer ekranlı bir kablo ile yapılmalıdır. Ekran ile güç kaynağının mahfazası bağlı olmalı ve bu iki yapı arasında iyi bir elektriksel temas sağlanmalıdır.
- Cihazın tavsiye edilen rutin bakımları yapılmalıdır. Cihaz kullanımdayken, kaportanın tüm kapakları kapalı ve / veya kilitle olmalıdır. Cihaz üzerinde üreticinin yazılı onayı olmadan standart ayarları dışında herhangi bir değişiklik, modifikasyon kesinlikle yapılamaz. Aksi durumda oluşabilecek her türlü sonuçtan kullanıcı sorumludur.
- Kaynak / kesme kabloları mümkün olduğunca kısa tutulmalıdır. Çalışma alanının zemininden yan yana olacak şekilde ilerlemelidirler. Kaynak / kesme kabloları hiçbir şekilde sarılmamalıdır.
- Kaynak / kesme esnasında makinede manyetik alan oluşmaktadır. Bu durum makinenin metal parçaları kendi üzerine çekmeye sebebiyet verebilir. Bu çekimi engellemek adına metal malzemelerin güvenli mesafede veya sabitlenmiş olduğundan emin olunuz. Operatör, bütün bu birbirine bağlanmış metal malzemelerden yalıtılmalıdır.
- İş parçasının elektriksel güvenlik amacıyla veya boyutu ve pozisyonu sebebiyle toprağa bağlanmadığı durumlarda (örneğin gemi gövdesi veya çelik konstrüksiyon imalatı) iş parçası ile toprak arasında yapılacak bir bağlantı bazı durumlarda emisyonları düşürebilir. İş parçasının topraklanmasının kullanıcıların yaralanmasına veya ortamdaki diğer elektrikli ekipmanların arıza yapmasına neden olabileceği unutulmamalıdır. Gerekli hallerde iş parçası ile toprak bağlantısı doğrudan yapılabılır fakat doğrudan bağlantıya izin verilemeyen bazı ülkelerde bağlantı yerel düzenleme ve yönetmeliklere uygun olarak, uygun kapasite elemanları kullanılarak oluşturulabilir.
- Çalışma alanındaki diğer cihazların ve kabloların ekranlanması ve muhafazası bozucu etkilerin önüne geçilmesini sağlayabilir. Kaynak / kesme bölgesinin tamamının ekranlanması bazı özel uygulamalar için değerlendirilebilir.

Elektromanyetik Alan (EMF)



Herhangi bir iletken üzerinden geçen elektrik akımı, bölgesel elektrik ve manyetik alanlar (EMF) oluşturur.

Operatörler EMF'ye maruz kalmının sebep olduğu riski en aza indirmek için aşağıdaki prosedürleri uygulamalıdır;

- Manyetik alanı azaltmak adına kaynak / kesme kabloları bir araya getirilmeli, mümkün olduğunca birleştirici malzemelerle (bant, kablo bağı vb.) emniyet altına alınmalıdır.
- Operatörün gövdesi ve başı, kaynak / kesme makine ve kablolarından mümkün olduğunca uzakta tutulmalıdır,
- Kaynak / kesme ve elektrik kabloları vücudun etrafına hiçbir şekilde sarılmamalıdır,
- Vücut, kaynak / kesme kablolarının arasında kalmamalıdır. Kaynak / kesme kablolarının her ikisi yan yana olmak üzere vücudun uzağında tutulmalıdır,
- Dönüş kablosu iş parçasına, kaynak / kesme yapılan bölgeye mümkün olduğunca yakın bir şekilde bağlanmalıdır,
- Güç ünitesine yaslanmamalı, üzerine oturmamalı ve çok yakınında çalışılmamalıdır,
- Güç ünitesini veya tel besleme ünitesini taşıırken kaynak / kesme işlemi yapılmamalıdır.

EMF ayrıca, kalp pilleri gibi tıbbi implantların (vücut içine yerleştirilen madde) çalışmasını bozabilir. Tıbbi implantları olan kişiler için koruyucu önlemler alınmalıdır. Örneğin, yoldan geçenler için erişim sınırlaması koyulabilir veya operatörler için bireysel risk değerlendirmeleri yapılabilir. Bir tıp uzmanı tarafından, tıbbi implantları olan kullanıcılar için risk değerlendirmesi yapıp, öneride bulunulmalıdır.

**Koruma**

- Makineyi yağmura maruz bırakmayın, üzerine su sıçramasına veya basınçlı buhar gelmesine engel olun.

Enerji Verimliliği

- Yapacağınız kaynak / kesme işlemine uygun yöntem ve makine tercihinde bulunun.
- Kaynak / kesme yapacağınız malzemeye ve kalınlığına uygun akım ve / veya gerilimi seçin.
- Kaynak / kesme yapmadan uzun süre beklenilecekse, fan makineyi soğuttuktan sonra makineyi kapatın. Akıllı fan kontrolü olan makinelerimiz kendi kendine duracaktır.

Atık Prosedürü

- Bu cihaz evsel atık değildir. Avrupa Birliği direktifi ile ulusal yasa çerçevesinde geri dönüşüme yönlendirilmek zorundadır.
- Kullanılmış makinенizin atık yönetimi hakkında satıcınızdan ve yetkili kişilerden bilgi edinin.

GARANTİ FORMU

Garanti Formu için www.magmaweld.com.tr/garanti-formu/wr web sitemizi ziyaret ediniz.

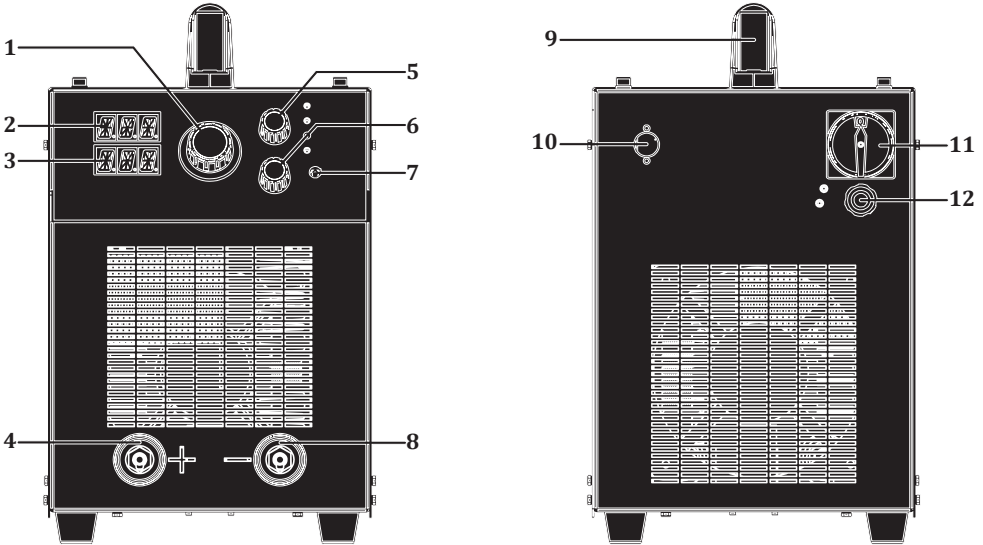


TEKNİK BİLGİLER

1.1 Genel Açıklamalar

ID 400E, doğru akım çıkışlı, kolay taşınabilir, trifaze invertör teknolojisi ile üretilmiş, 6.0 mm'ye kadar örtülü elektrod yakabilen bir kaynak makinesidir. Invertör teknolojisinin düşük kaynak karakteristiği ile optimizasyonu neticesinde, kararlı ark ve iyi bir yeniden tutuşma performansı vermektedir. Tüm Rutil, Bazik ve Selülozik örtülü elektrodlar için optimum ark karakteristiği sağlamak üzere 3 mod vardır. Hot Start düğmesi ile elektrodların tutuşma kabiliyeti artırılır, Arc Force düğmesi ile elektrodların kısa devre ve kaynak banyosuna yapışma eğilimi azaltılabilir. Valfli bir TIG Torcu ile tungsten ucun iş parçasına deydirilerek ark başlatılması yöntemi ile DC TIG kaynak makinesi olarak da kullanılabilir. ID 400E, 25 metre uzunluğa kadar kaynak kablolarıyla da kullanılabilir. Opsiyonel kablolu ve kablosuz uzaktan kumanda seçenekleri ile kaynak akımının uzaktan kontrolüne imkan sağlar. Makine fan soğutmalıdır ve aşırı ısınmaya karşı termik korumalıdır.

1.2 Makine Bileşenleri






Şekil 1 : ID 400E

- 1- Akım Ayar Potu
- 2- Akım Göstergesi
- 3- Voltaj Göstergesi
- 4- Kaynak ve Toprak Kablosu Soketi (+)
- 5- Hot Start Ayar Potu
- 6- Arc Force Ayar Potu

- 7- Kaynak Modu Seçim Düğmesi
- 8- Kaynak ve Toprak Kablosu Soketi (-)
- 9- Tutamak
- 10- Uzaktan Kumanda Bağlantı Girişi
- 11- Açma / Kapama Düğmesi
- 12- Besleme Kablosu Girişi

1.3 Ürün Etiketi

MAGMA MEKATRONİK MAKİNE SAN. VE TİC. A.Ş. Organize Sanayi Bölgesi 5.Kısım Manisa-TÜRKİYE									
ID 400 E					Seri No:				
					EN 60974-1 / EN 60974-10 / Class A				
5A / 20.2V - 400A / 36V					5A / 10.2V - 400A / 26V				
X					X				
35%					35%				
60%					60%				
100%					100%				
I_2					I_2				
400A					400A				
306A					306A				
237A					237A				
U_2					U_2				
36V					26V				
32.2V					22.2V				
29.5V					19.5V				
I_1					I_1				
33.2A					26.5A				
25A					19.5A				
19.1A					14A				
S_1					S_1				
22.9kVA					18.3kVA				
17.2kVA					13.5kVA				
13.2kVA					9.7kVA				
$U_0=86V$					$U_0=86V$				
$I_{1max} = 33.2A$					$I_{1max} = 26.5A$				
$I_{1eff} = 19.6A$					$I_{1eff} = 15.7A$				
					IP21S				
					CE				

 Üç Fazlı Transformatör Doğrultucu

X Çalışma Çevrimi



TIG Kaynağı

U_0 Boşta Çalışma Gerilimi



Örtülü Elektrod Kaynağı

U_1 Şebeke Gerilimi ve Frekansı



Doğru Akım

U_2 Anma Kaynak Gerilimi



Düşey Karakteristik

I_1 Şebekeden Çekilen Anma Akımı



Şebeke Girişi - 3 Fazlı Alternatif Akım

I_2 Anma Kaynak Akımı

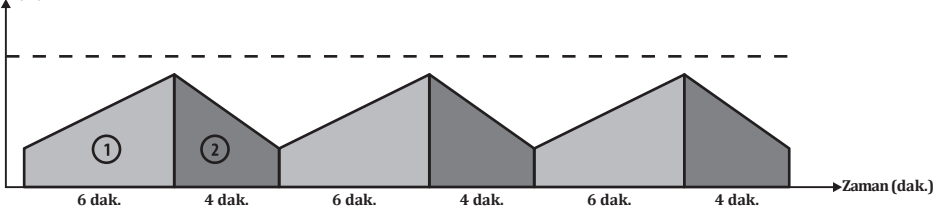


Tehlikeli Ortamlarda Çalışmaya Uygun

S_1 Şebekeden Çekilen Güç

IP21S Koruma Sınıfı

Çalışma Çevrimi
Sıcaklık (C°)



EN 60974-1 standardında da tanımlandığı üzere çalışma çevrim oranı 10 dakikalık bir zaman periyodunu içerir. Örnek olarak %60'da 250A olarak belirtilen bir makinede 250A'de çalışılmak isteniyorsa, makine 10 dakikalık zaman periyodunun ilk 6 dakikasında hiç durmadan kaynak / kesme yapabilir (1 bölgesi). Ancak bunu takip eden 4 dakika makine soğuması için boşta bekletilmelidir (2 bölgesi).

1.4 Teknik Özellikler

TEKNİK ÖZELLİKLER	BİRİM	ID 400E
Şebeke Gerilimi (3 - Faz 50-60 Hz)	V	400
Şebekeden Çekilen Güç	kVA	22.9
Kaynak Akım Ayar Sahası	ADC	5 - 400
Anma Kaynak Akımı	ADC	400 (%35)
Açık Devre Gerilimi	VDC	86
Kaynak Elektrod Çapı Aralığı	mm	1.60 - 6.00
Boyutlar (u x g x y)	mm	585 x 307 x 515
Ağırlık	kg	32
Koruma Sınıfı		IP 21S

1.5 Aksesuarlar

STANDART AKSESUARLAR	ADET	ID 400E
Topraklama Pensesi ve Kablosu	1	7905203503 (35 mm ² - 3 m)
Elektrod Pensesi ve Kablosu	1	7906203503 (35 mm ² - 3 m)
OPSİYONEL AKSESUARLAR	ADET	ID 400E
Uzaktan Kumanda 10m	1	7900000210
Uzaktan Kumanda 20m	1	7900000220
Uzaktan Kumanda 30m	1	7900000230
Uzaktan Kumanda 40m	1	7900000240
Uzaktan Kumanda 50m	1	7900000250
Taşıma Arabası	1	7900000600
Raf (Rack) (4'lü dikey)	1	7900000804
Raf (Rack) (6'lı dikey)	1	7900000807
Raf (Rack) (9'lu dikey)	1	7900000809
Lava TIG 20V (4 m) TIG Torcu	1	7111020004
Lava TIG 20V (8 m) TIG Torcu	1	7111020008

KURULUM BİLGİLERİ

2.1 Teslim Alırken Dikkat Edilecek Hususlar

Sipariş ettiğiniz tüm malzemelerin gelmiş olduğundan emin olun. Herhangi bir malzemenin eksik veya hasarlı olması halinde derhal aldığınız yer ile temasa geçin.

Standart kutu şunları içermektedir :

- Ana makine ve ona bağlı şebeke kablosu
- Topraklama pensesi ve kablosu
- Elektrod pensesi ve kablosu
- Garanti belgesi
- Kullanım kılavuzu

Hasarlı teslimat halinde tutanak tutun, hasarın resmini çekin, irsaliyenin fotokopisi ile birlikte nakliyeciyi firmaya bildirin. Sorunun devam etmesi halinde müşteri hizmetleri ile irtibata geçin.

Cihaz üzerindeki sembol ve anlamları



Kaynak yapma işlemi tehlike içermektedir. Uygun çalışma koşulları sağlanmalı ve gerekli önlemler alınmalıdır. Uzman kişiler makinede sorumlu olup, gerekli donanımları sağlamalıdır. İlgili olmayan kişiler kaynak sahasından uzak tutulmalıdır.



Bu cihaz IEC 61000-3-12 uyumlu değildir. Evlerde kullanılan alçak gerilim şebekesine bağlanmak istenmesi durumunda, elektrik bağlantısını yapacak tesisatçının veya makineyi kullanacak kişinin, makinenin bağlanabilirliği konusunda bilgi sahibi olması gereklidir; bu durumda sorumluluk kullanıcıya aittir.



Cihaz üzerinde ve kullanım kılavuzunda bulunan güvenlik sembollerine ve uyarı notlarına dikkat edilmeli, etiketleri sökülmemelidir.



İzgaralar havalandırma amaçlıdır. Açıklıkların üzeri iyi bir soğutma sağlamak amacıyla örtülmemeli ve içeriye yabancı cisim sokulmamalıdır.

2.2 Kurulum ve Çalışma Tavsiyeleri

- Makineyi taşımak için kaldırma halkaları ya da forklift kullanılmalıdır. Makineyi gaz tüpüyle birlikte kaldırmayın. Çanta tipi taşınabilir kaynak makinelerinde elle taşıma yapılırken İş Sağlığı ve Güvenliği yönetmeliğine uygun şekilde hareket edilmelidir. Taşıma işleminin mümkün olduğu kadar sağlık ve güvenlik şartlarına uygun olarak yapılabilmesi için işyerinde gerekli düzenlemeler yapılmalıdır. Çalışma ortamının özellikleri ve yapılan işin gereklerine uygun önlemler alınmalıdır. Makine düşmeyeceği ve devrilmeyeceği sert, düzgün ve eğimsiz bir zemine yerleştirilmelidir.
- Makineyi direk güneş ışığı altında çalıştırmayın. Ortam sıcaklığının 40 °C' yi aştığı durumlarda, makineyi daha düşük akımda ya da daha düşük çalışma çevrim oranında çalıştırın.
- Dış mekanlarda rüzgar ve yağmur varken kaynak yapmaktan kaçının. Bu tür durumlarda kaynak yapmak zorunluysa, kaynak bölgesini ve kaynak makinesini perde ve tenteye koruyun. İçeride kaynak yapıyorsanız, uygun bir duman emme sistemi kullanın. Kapalı mekanlarda kaynak dumanı ve gazı soluma riski varsa, solunum aparatları kullanın.
- Ürün etiketinde belirtilen çalışma çevrimi oranlarına uyun. Çalışma çevrimi oranlarını sıklıkla asmak, makineye hasar verebilir ve bu durum garantiyi geçersiz kılar.
- Sisteminize uygun sigortayı kullanın.
- Toprak kablosunu kaynak bölgesinin olabildiğince yakınına, sıkıca bağlayın.
- Kaynak akımının kaynak kabloları dışındaki ekipmanlar üzerinden geçmesine izin vermeyin.
- Gaz tüpünü zincirle duvara sabitleyin.
- Çalışma sırasında kaynak kabloları ve şebeke kablosu makine gövdesine sarılı olmamalıdır.

2.3 Elektrik Fişi Bağlantısı



Güvenliğiniz için, makinenin şebeke kablosunu kesinlikle fişsiz kullanmayın.

- Fabrika, şantiye ve atölyelerde farklı prizler bulunabileceği için şebeke kablosuna bir fiş bağlanmamıştır. Prize uygun bir fiş, kalifiye bir elektrikçi tarafından bağlanmalıdır. Sarı / Yeşil renkte ve ⚡ ile işaretlenmiş olan toprak kablosunun mevcut olduğundan emin olun.
- Fişi kabloya bağladıktan sonra, bu aşamada prize takmayın.

2.4 Şebekeye Bağlama



Fişi prize takarken, makinenin açma kapama anahtarının "0" konumunda olduğundan emin olun.

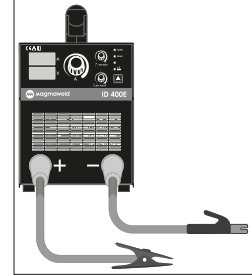
- Makineyi şebekeye bağlamadan önce 3 fazlı bir voltmetre ile kontrol edin. Her faz arasının 400V ($\pm 40V$) olduğunu tespit ettikten sonra fişi prize takın.
- Açma / kapama anahtarı ile makineyi çalıştırın.
- Fan sesini duyduktan ve voltmetre ile ampermetrenin ışığının yandığını gördükten sonra anahtarı tekrar "0" konumuna getirerek makineyi kapatın.



Şekil 2 : Şebeke Bağlantısı

2.5 Örtülü Elektrod Kaynağı İçin Bağlantılar

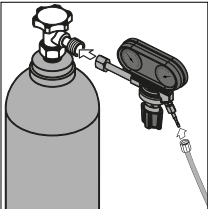
- Kaynak ve topraklama kablolarını kullanılacak elektroda ve elektrodun üreticisinin tavsiye ettiği kutuplara göre kaynak ve toprak kablosu soketlerine takip saat yönünde çevirerek sıkılayın.
- Toprak pensesini kaynak bölgesine olabildiğince yakın olacak şekilde iş parçasına bağlayın.



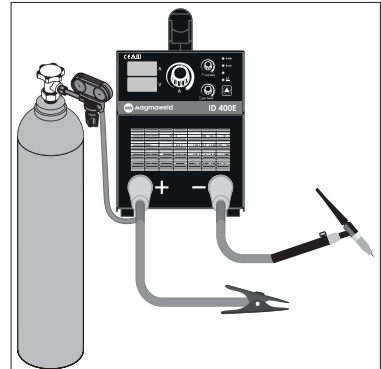
Şekil 3 : Örtülü Elektrod Kaynağı Bağlantıları

2.6 Temaslı TIG Kaynağı İçin Bağlantılar

- Gaz valfli bir TIG torcu kullanılmalıdır.
- TIG torcunun güç kablosunu eksi kutuplu sokete bağlayın ve topraklama kablosunu artı kutuplu sokete bağlayın.
- Argon gaz regülatörünü argon gaz tüpüne bağlayın.
- Torcun gaz hortumunu gaz regülatörüne bağlayın.



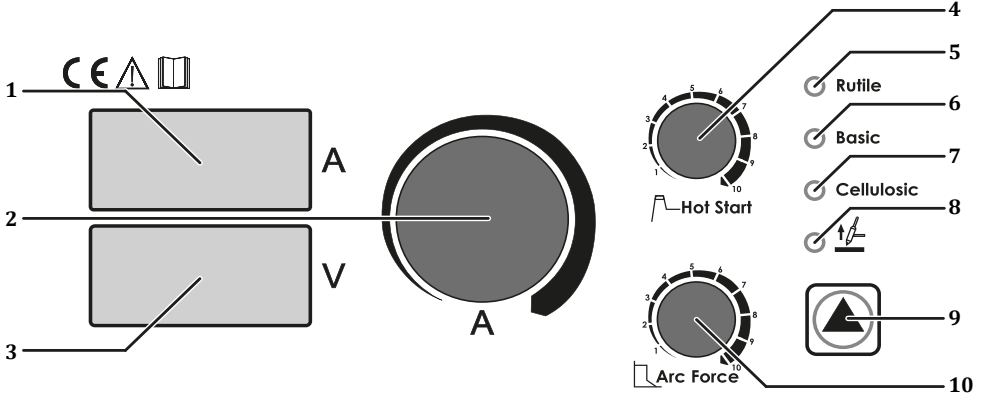
Şekil 4 : Gaz Tüpü Bağlantıları



Şekil 5 : TIG Kaynağı Bağlantıları

KULLANIM BİLGİLERİ

3.1 Kullanıcı Arayüzü



mw magmaweld

ID 400E

1	Akım Göstergesi Makine kaynak yaparken kaynak akımını, onun dışında ayarlanan kaynak akımını gösterir.
2	Akım Ayar Potu Kaynak akımı 5-400A aralığında ayarlanır.
3	Voltaj Göstergesi Makine kaynak yaparken kaynak voltajını, onun dışında boşta çalışma gerilimini gösterir.
4	Hot Start Düğmesi Örtülü elektrod kaynağı modlarında daha iyi tutuşma sağlamak için kullanılır.
5	Rutil Elektrod Ledi Rutil elektrod ile örtülü elektrod kaynağı yapılacağı zaman kaynak modu seçim düğmesi ile seçilir.
6	Bazık Elektrod Ledi Bazık elektrod ile örtülü elektrod kaynağı yapılacağı zaman kaynak modu seçim düğmesi ile seçilir.
7	Selülozik Elektrod Ledi Selülozik elektrod ile örtülü elektrod kaynağı yapılacağı zaman kaynak modu seçim düğmesi ile seçilir.
8	Temaslı TIG Kaynağı Ledi Temaslı TIG kaynağı yapılacağı zaman kaynak modu seçim düğmesi ile seçilir.
9	Kaynak Modu Seçim Düğmesi / VRD Fonksiyonu Örtülü elektrod kaynağı ve temaslı TIG kaynağı modlarından birini seçmek ya da VRD fonksiyonuna ulaşmak için kullanılır. VRD fonksiyonuna ulaşmak için bu düğmeye 3 sn basılı tutmalısınız.

	VRD fonksiyonunu aktif etmek istiyorsanız 2 numaralı (Akım Ayar Düğmesi) düğmeyi çevirerek VRD fonksiyonunu On konumuna getirmelisiniz. Bu sayede çıkış akım voltajı 12 Volt altına düşmüş olur. Tekrar 9 numaralı (Kaynak Modu Seçim Düğmesi / VRD Fonksiyonu) düğmeye basıp ana ekrana gelebilirsiniz. VRD fonksiyonunu kapatmak istediğinizde 9 numaralı düğmeye 3sn basılı tutup VRD fonksiyonu ekranına ulaşabilirsiniz. 2 numaralı düğmeyi çevirerek VRD fonksiyonunu Off konumuna getirmelisiniz. Ana ekrana dönmek için 9 numaralı düğmeye tekrar basmalısınız.
10	Arc Force Düğmesi Örtülü elektrod kaynağı modlarında elektrodun kaynak banyosuna yapışma eğilimini azaltmak için kullanılır.

3.2 Örtülü Elektrod Kaynağı

- Kaynak modu seçim düğmesi ile örtülü elektrod kaynağı modlarından (rutil, bazik, selülozik) birini seçin. Seçtiğiniz örtülü elektrod kaynağı modunun ledii yanacaktır.
- Akım ayar düğmesi ile kaynak akımını ayarlayın.
- Aşağıdaki tablo alaşımız çelik elektrodların kaynağı için verilmiş yaklaşık değerlerden oluşmaktadır. Kesin parametreler için elektrod üreticisinin tavsiyelerine uyunuz.

Örtülü Elektrod Çapı (mm)	Tavsiye Edilen Kaynak Akımı		
	Rutil	Bazik	Selülozik
2.0	40-60 A	-	-
2.5	60-90 A	60-90 A	60-100 A
3.25	100-140 A	100-130 A	70-130 A
4.0	140-180 A	140-180 A	120-170 A
5.0	200-240 A	200-250 A	160-200 A
6.0	260-300 A	-	-

- Malzeme kalınlığı, malzemenin soğuk olması gibi nedenlerle ilk tutuşmada zorlanma yaşanır, **HOT START** düğmesini saat yönünde çevirin. **HOT START** ayarı fazla geldiğinde ark parçayı yakabilir.
- Kaynak banyosuna yapışma ve ark sönmeye eğiliminde olan elektrodlar için ARC FORCE kullanılabilir. **ARC FORCE** düğmesini saat yönünde çevirmek yapışmayı azaltır. **ARC FORCE** seviyesi arttıkça ark hırçınlaşır ve akımda dalgalanma gözlemlenir.
- Kaynağa başlayın. Akım göstergesinden anlık kaynak akımını, voltaj göstergesinden kaynak voltajını takip edebilirsiniz.

3.3 Temaslı TIG Kaynağı

- Kaynak modu seçim düğmesi ile temaslı TIG kaynağı modunu seçin. Temaslı TIG kaynağı ledi yanacaktır.
- Akım ayar düğmesi ile kaynak akımını ayarlayın.
- Kaynağa başlayın. Akım göstergesinden anlık kaynak akımını, voltaj göstergesinden kaynak voltajını takip edebilirsiniz.

3.4 Uzaktan Kumanda (Opsiyonel)

- Magmaweld'den temin edebileceğiniz kablolu uzaktan kumanda seçenekleri ile makineyi uzun mesafelerden kontrol etmeniz mümkündür. Bu durumda, uygun kontrol soketi yetkili bir Magmaweld servisi tarafından makineye monte edilmelidir.
- Uzaktan kumanda makineye bağlandığında makine üzerindeki amper ayar düğmesi otomatik olarak devre dışı kalır ve akım ayarı uzaktan kumanda ile yapılır.



BAKIM VE ARIZA BİLGİLERİ

- Makineye yapılacak bakım ve onarımların mutlaka yetkin kişiler tarafından yapılması gerekmektedir. Yetkisiz kişiler tarafından yapılacak müdahaleler sonucu oluşacak kazalardan firmamız sorumlu değildir.
- Onarım esnasında kullanılacak parçaları yetkili servislerimizden temin edebilirsiniz. Orjinal yedek parça kullanımı makinenizin ömrünü uzatacağı gibi performans kayıplarını engeller.
- Her zaman üreticiye veya üretici tarafından belirtilen yetkili bir servise başvurun.
- Garanti süresi içerisinde üretici tarafından yetkilendirilmemiş herhangi bir girişiminde tüm garanti hükümleri geçersiz olacaktır.
- Geçerli güvenlik kurallarına bakım onarım işlemleri sırasında mutlaka uyunuz.
- Tamir için makinenin herhangi bir işlem yapılmadan önce, makinenin elektrik fişini şebekeden ayırınız ve kondansatörlerin boşalması için 10 saniye bekleyiniz.

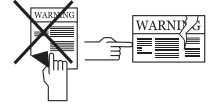
TR

4.1 Bakım



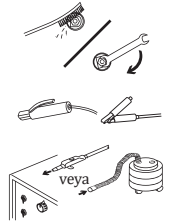
Günlük Bakım

- Cihaz üzerindeki uyarı etiketlerini sökmeyiniz. Yıpranmış / yırtılmış etiketleri yenisi ile değiştiriniz. Etiketleri yetkili servisten temin edebilirsiniz.
- Torcun, penselerin ve kablolarımızın kontrolünü yapınız. Parçaların bağlantılarına ve sağlamlığına dikkat ediniz. Hasar görmüş / arızalı parçaları yenisi ile değiştiriniz. Kabloları ek / onarım kesinlikle yapmayınız.
- Havalandırma için yeterli alan olduğuna emin olunuz.
- Kaynağa başlamadan önce torcun ucundan çıkan gaz debisini debimetre ile kontrol ediniz. Gazın debisi yüksek veya düşük ise yapılacak kaynağa uygun seviyeye getiriniz.



6 Ayda Bir

- Civata, somun gibi birleştirici parçaları temizleyiniz ve sıkıştırınız.
- Elektrod pensesi ve toprak pensesi kablolarını kontrol ediniz.
- Makinenin yan kapaklarını açarak düşük basınçlı kuru hava ile temizleyiniz. Elektronik parçalara yakın mesafeden basınçlı hava uygulamayınız.
- Makinenin elektrik besleme fişinin bağlandığı prizi kontrol ediniz. Prizin enerji kablosu bağlantı noktalarında gevşeklik var ise gideriniz. Prizin yuvalarında ark veya genişleme var ise yenisi ile değiştiriniz.
- Makinenin elektrik besleme fişini kontrol ediniz. Elektrik fişinin içindeki kablo bağlantı noktalarında gevşeklik var ise gideriniz. Fişin uçlarında ark veya deformasyon var ise yenisi ile değiştiriniz.



NOT: Yukarıda belirtilen süreler, cihazınızda hiçbir sorunla karşılaşmaması durumunda uygulanması gereken maksimum periyotlardır. Çalışma ortamınızın yoğunluğuna ve kirliliğine göre yukarıda belirtilen işlemleri daha sık aralıklarla tekrarlayabilirsiniz.



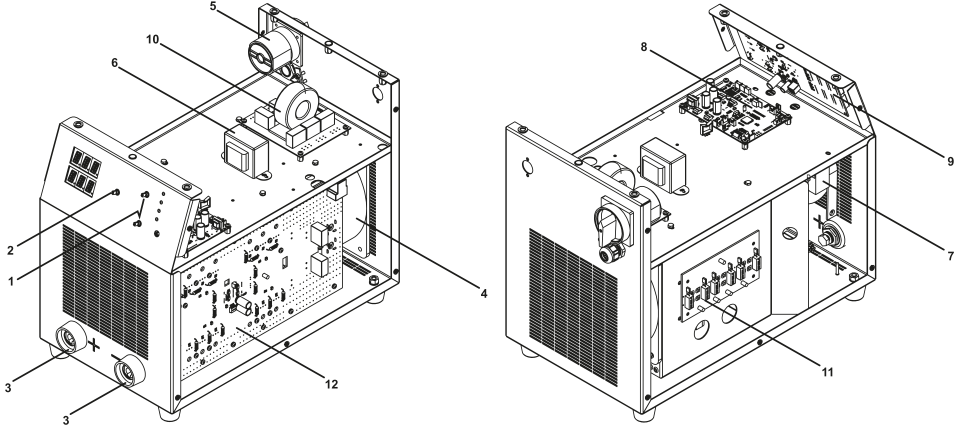
Asla kaynak makinesinin kapakları açırken kaynak yapmayın.

4.2 Hata Kodları

Hata Kodu	Hata	Neden	Çözüm
ERR-T1	Termik Arıza	<ul style="list-style-type: none"> Havadaki yüksek sıcaklık yada yüksek amper değerlerinde uzun süre kaynak yapılması sonucunda makine aşırı ısınmış olabilir 	<ul style="list-style-type: none"> Fanın makineyi soğutması için makineyi bir süre çalışır durumda bırakın. Makine soğuyup hata mesajı geçtiğinde kaynağa devam edebilirsiniz
E02	Güç Modülü Hatası	<ul style="list-style-type: none"> Elektronik kart arızası olabilir 	<ul style="list-style-type: none"> Makineyi kapatıp açın. Sorun devam ediyorsa şebeke voltajını kontrol edin. Şebeke voltajı normal olduğu halde sorun devam ediyorsa yetkili servis ile iletişime geçiniz
E04	Şebeke Voltajı Yüksek	<ul style="list-style-type: none"> Şebeke voltajı yükselmiş olabilir 	<ul style="list-style-type: none"> Şebeke bağlantı kablolarını ve voltajını kontrol ediniz. Doğru voltaj girişi sağlandığından emin olunuz. Şebeke voltajı normal ise yetkili servis ile iletişime geçiniz
E08	Şebeke Voltajı Düşük	<ul style="list-style-type: none"> Şebeke voltajı düşmüş olabilir 	<ul style="list-style-type: none"> Şebeke bağlantı kablolarını ve voltajını kontrol ediniz. Doğru voltaj girişi sağlandığından emin olunuz. Şebeke voltajı normal ise yetkili servis ile iletişime geçiniz

EKLER

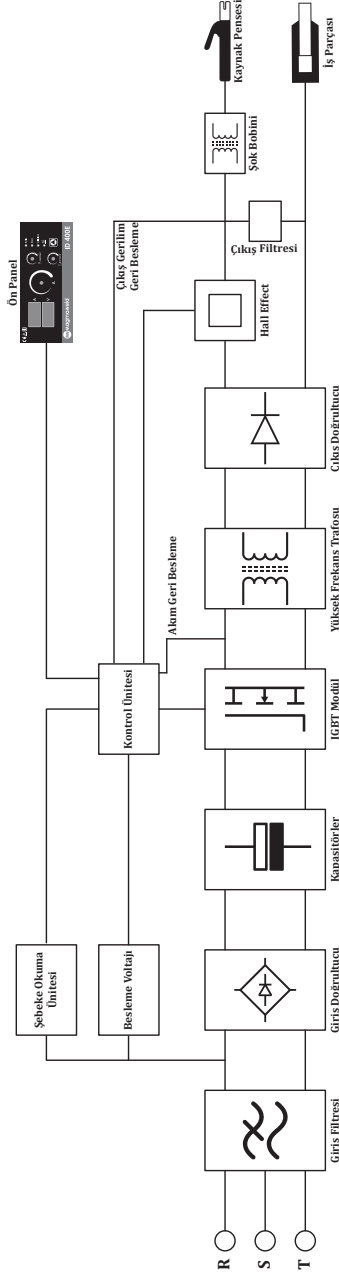
5.1 Yedek Parça Listesi



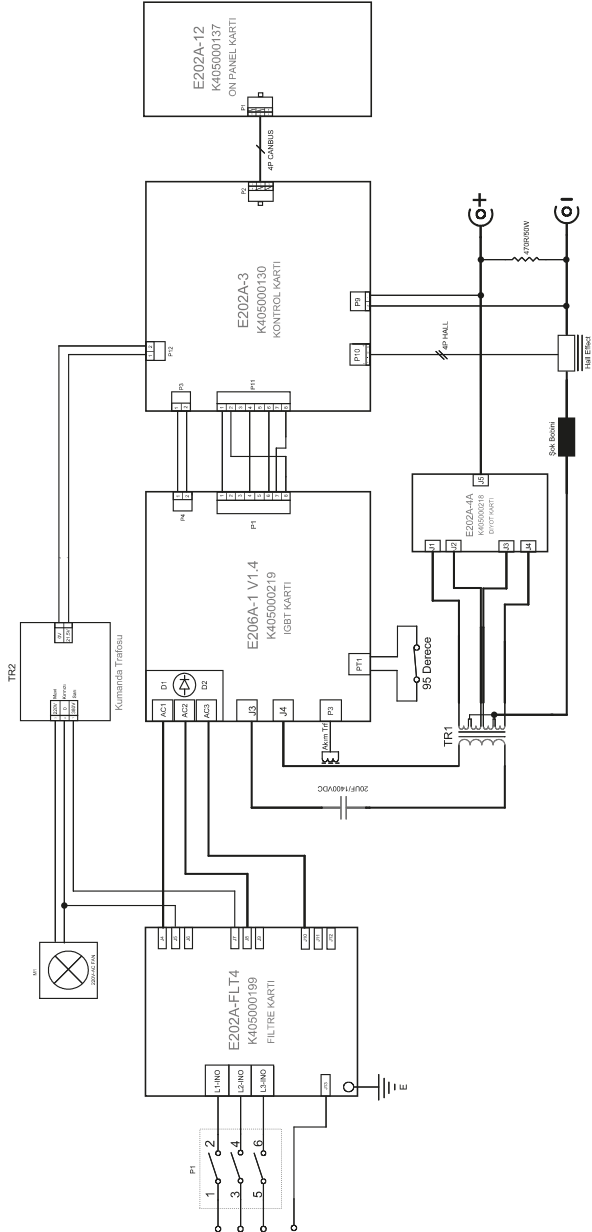
NO	TANIM	ID 400E
1	Potans Düğmesi Küçük	A229500001
2	Potans Düğmesi Büyük	A229500002
3	Kaynak Prizi	A377900106
4	Fan Monofaz	A250200015
5	Pako Şalter	A308033005
6	Kumanda Trafosu	A366100004
7	Hall Effect Sensör	A830900008
8	Elektronik Kart E202A-3-400	K405000130
9	Elektronik Kart E202A-12	K405000137
10	Elektronik Kart E202A-FLT V1.1	K405000199
11	Elektronik Kart E202A-4A (400E V2)	K405000218
12	Elektronik Kart E206A-1 V1.4 (400E V2)	K405000219
	Kamçılı Termostat	A314800107
	Güç Trafosu	A366000025
	Ultrafast Rectifier	A430100012
	Şok Bobin	A421000027

5.2 Bağlantı Şemaları

Blok Diyagram



Devre Şeması



MALIN**Modeli****Seri Numarası****İMALATÇI / İTHALATÇI FİRMANIN****Ünvanı**

MAGMA MEKATRONİK MAKİNE SANAYİ VE TİCARET A.Ş.

Adresi

Organize Sanayi Bölgesi 5. Kısım MANİSA

Telefonu / E - Postası

+90 236 226 27 00 / info@magmaweld.com

SATICI FİRMANIN**Ünvanı****Adresi****Telefonu / E-Postası****Fatura Tarihi ve No.****ALICININ****Ünvanı****Adresi****Telefonu / E - Postası****Teslim Alanın Adı Soyadı****KURULUMU YAPAN SERVİSİN****Ünvanı****Teknisyenin Adı Soyadı****Devreye Alma Tarihi**
(Garanti Başlama Tarihi)

Garanti Şartları için www.magmaweld.com.tr/garanti-sartlari/wt web sitemizi ziyaret ediniz.

MAGMA MEKATRONİK MAKİNE SANAYİ VE TİCARET A.Ş.

www.magmaweld.com

DECLARATION OF CONFORMITY UYGUNLUK DEKLARASYONU



Company / Firma

Magma Mekatronik Makine Sanayi ve Ticaret A.Ş.
Organize Sanayi Bölgesi 5. Kısım Yalçın Özaras Caddesi No:1 45030 Manisa / TÜRKİYE

Factory / Fabrika

Magma Mekatronik Makine Sanayi ve Ticaret A.Ş.
Organize Sanayi Bölgesi 5. Kısım Yalçın Özaras Caddesi No:1 45030 Manisa / TÜRKİYE

The Product / Ürün

Appropriate for professional and industrial usage.
ID 400 E 400Amp (%35) Shielded metal arc welding machine

Profesyonel ve endüstriyel kullanıma uygun
ID 400 E 400Amp (%35) Örtülü elektrod kaynak makinesi

Date of assessment / Değerlendirme Tarihi

18.11.2019

European Standard / Avrupa Standartı

EN IEC 60974-1:2018 , EN 60974-10:2014

Meet the requirements of the European Directive

Gereklilikler Karşılana Avrupa Direktifleri

EMC Directive 2014/30/EU - LVD Directive 2014/35/EU

Magma Mekatronik Makine Industry and Trade Co. We declare that the above mentioned products comply with the standard. This declaration will lose its validity in case of modification on the welding machine without our written authorization.

Magma Mekatronik Makine Sanayi ve Ticaret A.Ş. olarak yukarıda geçen ürünün standartlara uygun olduğunu beyan ederiz. Yazılı iznimiz olmaksızın makine üzerinde yapılan değişiklikler bu belgeyi geçersiz kılacaktır.

Date of issue / Yayın Tarihi

Manisa - 12.10.2021

Barış Özgür TUĞGAN
Ar-Ge Müdürü / R&D Manager



ЕВРАЗИЙСКИЙ ЭКОНОМИЧЕСКИЙ СОЮЗ ДЕКЛАРАЦИЯ О СООТВЕТСТВИИ

Заявитель Общество с ограниченной ответственностью "МАГМАВЭЛД СПБ"

Место нахождения и адрес места осуществления деятельности: 191124, Россия, город Санкт-Петербург, улица Ставропольская, Дом 10, Литера А, Помещение 217

Основной государственный регистрационный номер 1187847141503.

Телефон: +78123317470 Адрес электронной почты: magmaweld@inbox.ru

в лице Генерального директора Гавшинского Андрея Львовича

заявляет, что Оборудование для сварки и газотермического напыления: аппараты для дуговой сварки модели:

MINISTICK, MINISTICK DELUXE, MEGASTICK, MEGASTICK DELUXE, ID 800E, MONOSTICK 165i, MONOSTICK 200i, PROSTICK 200i, ID 250 E, ID 300 E, ID 350 E, ID 400 E, RD 500 E, RD 650 E, GL 451, TD 355, GL 600, ID 250E BASIC, MONOTIG 160i BASIC, MONOTIG 160i, MONOTIG 200i, MONOTIG 160ip, MONOTIG 220ip, MONOTIG 220ip AC/DC, ID 250 T DC, ID 300 T DC, ID 250 T DC PULSE, ID 300 T DC PULSE, ID 250 TW DC, ID 300 TW DC, ID 250 TW DC PULSE, ID 300 TW DC PULSE, ID 300 T AC/DC PULSE, ID 300 TW AC/DC PULSE, ID 500TW DC PULSE, ID 500TW AC/DC PULSE, MONOMIG 200ik, ID 300 M, MEGAMIG, ID 65 PCA, ID 65 PCB, ID 300 M SMART, ID 300 M PULSE SMART, ID 300 M EXPERT, ID 300 M PULSE EXPERT, ID 300 MW SMART, ID 300 MW PULSE SMART, ID 300 MW EXPERT, ID 300 MW PULSE EXPERT, ID 400 M SMART, ID 400 M PULSE SMART, ID 400 M EXPERT, ID 400 M PULSE EXPERT, ID 400 MW SMART, ID 400 MW PULSE SMART, ID 400 MW EXPERT, ID 400 MW PULSE EXPERT, ID 500 M SMART, ID 500 M PULSE SMART, ID 500 M EXPERT, ID 500 M PULSE EXPERT, ID 500 MW SMART, ID 500 MW PULSE SMART, ID 500 MW EXPERT, ID 500 MW PULSE EXPERT, ID 300 MK SMART, ID 300 MK PULSE SMART, ID 300 MK EXPERT, ID 300 MK PULSE EXPERT, ID 300 MKW SMART, ID 300 MKW PULSE SMART, ID 300 MKW EXPERT, ID 300 MKW PULSE EXPERT, ID 400 MK SMART, ID 400 MK PULSE SMART, ID 400 MK EXPERT, ID 400 MK PULSE EXPERT, ID 400 MKW SMART, ID 400 MKW PULSE SMART, ID 400 MKW EXPERT, ID 400 MKW PULSE EXPERT, RS 200 MK, RS 250 M, RS 250 MK, RS 300 M, RS 300 MK, RS 350 M, RS 350 M PRO, RS 350MK PRO, RS 350MW PRO, RS 350 MW, RS 350 MK, RS 400 M, RS 400 MW, RS 400 MK, RS 450M PRO, RS 450 MW PRO, RS 500 M, RS 500 MW, RS 550 M PRO, RS 550 MW PRO, RD 650 MW.

Изготовитель "Magma Mekatronik Makine Sanayi ve Ticaret A.S."

Место нахождения и адрес места осуществления деятельности по изготовлению продукции: Турция, Organize Sanayi Bölgesi, 5.Kisim, 45030 Manisa

Филиал: "MAGMAWELD ULUSLARARASI TICARET A.S." Турция, Dereboyu Cad. Bilim Sok. Sun Plaza 5/7 Maslak, 34398 Istanbul Продукция изготовлена в соответствии с Директивой 2014/35/EU

"Низковольтное оборудование", Директивой 2014/30/EU "Электромагнитная совместимость", Директивой 2006/42/ЕС "Безопасность машин и оборудования".

Код (коды) ТН ВЭД ЕАЭС: 8515391800

Серийный выпуск.

соответствует требованиям

Технического регламента Таможенного союза ТР ТС 004/2011 "О безопасности низковольтного оборудования"

Технического регламента Таможенного союза ТР ТС 010/2011 "О безопасности машин и оборудования"

Технического регламента Таможенного союза ТР ТС 020/2011 "Электромагнитная совместимость технических средств"

Декларация о соответствии принята на основании

Протокола испытаний № 00501/ТС/072021 от 07.07.2021 года, выданного Испытательной лабораторией ООО «ТЕХНОСИИ» (регистрационный номер аттестата аккредитации RU.SSK4.04ЕЛКО)

Схема декларирования соответствия: Id

Дополнительная информация

Условия хранения: продукция хранится в сухих, проветриваемых складских помещениях при температуре от 0 °С до +30 °С, при относительной влажности воздуха не более 80 %. Срок хранения: изготовителем не установлен. **Срок службы: 5 лет.**

Декларация о соответствии действительна с даты регистрации по 11.07.2024 включительно


(подпись)

Гавшинский Андрей Львович

(Ф.И.О. заявителя)

Регистрационный номер декларации о соответствии: ЕАЭС N RU Д-TR.PA01B.00558/21

Дата регистрации декларации о соответствии: 14.07.2021





YETKİLİ SERVİSLER

MERKEZ SERVİS

Organize Sanayi Bölgesi, 5. Kısım 45030 MANİSA

Telefon : 444 93 53

E-Posta : info@magmaweld.com

YETKİLİ SERVİSLER



Güncel servis listemiz için www.magmaweld.com.tr/servis-listesi web sitemizi ziyaret ediniz.

Magma Mekatronik Makine Sanayi ve Ticaret A.Ş.
Organize Sanayi Bölgesi, 5. Kısım 45030 Manisa, TÜRKİYE

01.11.2023
UM_IDE400_082022_112023_002_120



(+90) 444 93 53
magmaweld.com
info@magmaweld.com