



USER MANUAL

COMPACT SMART SERIES



(+90) 444 93 53
magmaweld.com
info@magmaweld.com

 (+90) 538 927 12 62

All rights reserved. It is prohibited to reproduce this documentation, or any part thereof, without the prior written authorisation of Magma Mekatronik Makine Sanayi ve Ticaret A.Ş.
Magma Mekatronik may modify the information and the images without any prior notice.
Tüm hakları saklıdır. Magma Mekatronik Makine Sanayi ve Ticaret A.Ş.'nin yazılı izni olmaksızın bu dokümanın tamamının ya da bir bölümünün kopyalanması yasaktır.
Magma Mekatronik önceden haber vermeksizin bilgilerde ve resimlerde değişiklik yapılabilir.

MIG / MAG WELDING MACHINE

EN

POSTE À SOUDER MIG / MAG

FR

MIG / MAG-SCHWEISSMASCHINE

DE

СВАРОЧНЫЙ АППАРАТ ДЛЯ MIG / MAG-СВАРКИ

RU

MÁQUINA DE SOLDAR MIG/MAG

PT

MÁQUINA DE SOLDADURA MIG / MAG

ES

MIG/MAG-LASAPPARAAT

NL

ماكينة لحام ماج / ماج

AR

MIG / MAG KAYNAK MAKİNESİ

TR



EN 60974-1

EN 60974 -10

RoHS



 **CONTENTS**

	SAFETY PRECAUTIONS	5
1	TECHNICAL INFORMATION	
1.1	General Information	11
1.2	Machine Components	11
1.3	Product Label	13
1.4	Technical Data	15
1.5	Accessories	15
2	INSTALLATION	
2.1	Delivery Control	16
2.2	Installation and Operation Recommendations	16
2.3	Connections	17
2.3.1	Mains Plug Connection	17
2.3.2	Connecting the Grounding Clamp to the Workpiece	17
2.3.3	Connecting the Gas Cylinder	17
2.3.4	Water Cooling Unit (for MW Models)	18
3	OPERATION	
3.1	Settings in the Wire Feeder Unit	19
3.2	User Interface	21
3.3	Remote Control	27
3.4	Arc Length Adjustment (ArC)	28
3.5	MIG Curve	28
3.6	Connection to Mains	29
3.7	Selection and Replacement of Wire Feed Rollers	29
3.8	Placing The Wire Spool And Wire Feeding Process	30
3.9	Adjustment of Gas Flow	31
3.10	Machine Features	32
3.11	Consumption Values	33
4	MAINTENANCE AND SERVICE	
4.1	Maintenance	34
4.2	Troubleshooting	35
4.3	Error Codes	37
5	ANNEX	
5.1	Spare Parts Lists	38
5.2	Block Diagram	40
5.3	Water Unit Circuit Diagram	41

SAFETY PRECAUTIONS

Be Sure To Follow All Safety Rules In This Manual!

Explanation Of Safety Information



- Safety symbols found in the manual are used to identify potential hazards.
- When any one of the safety symbols are seen in this manual, it must be understood that there is a risk of injury and the following instructions should be read carefully to avoid potential hazards.
- The possessor of the machine is responsible for preventing unauthorized persons from accessing the equipment.
- Persons using the machine must be experienced or fully trained in welding / cutting they have to read the user manual before operation and follow the safety instructions.

Explanation Of Safety Symbols



ATTENTION

Indicates a potentially hazardous situation that could cause injury or damage. In case if no precaution is taken, it may cause injuries or material losses / damages.



IMPORTANT

Specifies notifications and alerts on how to operate the machine.



DANGER

Indicates a serious danger. In case if not avoided, severe or fatal injuries may occur.

Comprehending Safety Precautions



- Read the user manual, the label on the machine and the safety instructions carefully.
- Make sure that the warning labels on the machine are in good condition. Replace missing and damaged labels.
- Learn how to operate the machine, how to make the checks in a correct manner.
- Use your machine in suitable working environments.
- Improper changes made in your machine will negatively affect the safe operation and its longevity.
- The manufacturer is not responsible for the consequences resulting from the operation of the device beyond the specified conditions.

Electric Shocks May Kill



Make certain that the installation procedures comply with national electrical standards and other relevant regulations, and ensure that the machine is installed by authorized persons.

- Wear dry and sturdy insulated gloves and working apron. Never use wet or damaged gloves and working aprons.
- Wear flame-resistant protective clothing against the risk of burning. The clothing used by the operator must be protective against sparks, splashing and arc radiation.
- Do not work alone. In case of a danger make sure you have someone for help in your working environment.
- Do not touch the electrode with the bare hand. Do not allow the electrode holder or electrode to come in contact with any other person or any grounded object.
- Never touch parts that carry electricity.
- Never touch the electrode if you are in contact with the electrode attached to the work surface, floor or another machine.
- By isolating yourself from the work surface and the floor, you can protect yourself from possible electric shocks. Use a non-flammable, electrically insulating, dry and undamaged insulation material that is large enough to cut off the operator's contact with the work surface.
- Do not connect more than one electrode to the electrode holder.
- Clamp work cable with good metal-to-metal contact to workpiece or worktable as near the weld as practical.
- Check the torch before operating the machine. Make sure the torch and its cables are in good condition. Always replace a damaged, worn torch.
- Do not touch electrode holders connected to two machines at the same time since double open-circuit voltage will be present.
- Keep the machine turned off and disconnect cables when not in use.
- Before repairing the machine, remove all power connections and / or connector plugs or turn off the machine.
- Be careful when using a long mains cable.

- Make sure all connections are tight, clean, and dry.
 - Keep cables dry, free of oil and grease, and protected from hot metal and sparks.
 - Bare wiring can kill. Check all cables frequently for possible damage. If a damaged or an uninsulated cable is detected, repair or replace it immediately.
 - Insulate work clamp when not connected to workpiece to prevent contact with any metal object.
 - Make sure that the grounding of the power line is properly connected.
 - Do not use AC weld output in damp, wet, or confined spaces, or if there is a danger of falling.
 - Use AC output ONLY if required for the welding process.
 - If AC output is required, use remote output control if present on unit.
- Additional safety precautions are required when any of the following electrically hazardous conditions are present :**
- in damp locations or while wearing wet clothing,
 - on metal structures such as floors, gratings, or scaffolds,
 - when in cramped positions such as sitting, kneeling, or lying,
 - when there is a high risk of unavoidable or accidental contact with the workpiece or ground.
- For these conditions, use the following equipment in order presented:
- Semiautomatic DC constant voltage (CV) MIG welding machine,
 - DC manual MMA welding machine,
 - DC or AC welding machine with reduced open-circuit voltage (VRD), if available.

Procedures for Electric Shock



- Turn off the electric power.
- Use non-conducting material, such as dry wood, to free the victim from contact with live parts or wires.
- Call for emergency services.

If you have first aid training;

- If the victim is not breathing, Administer cardiopulmonary resuscitation (CPR) immediately after breaking contact with the electrical source. Continue CPR (cardiac massage) until breathing starts or until help arrives.
- Where an automatic electronic defibrillator (AED) is available, use according to instructions.
- Treat an electrical burn as a thermal burn by applying sterile, cold (iced) compresses. Prevent contamination, and cover with a clean, dry dressing.

Moving Parts May Cause Injuries



- Keep away from the moving parts.
- Keep all protective devices such as covers, panels, flaps, etc., of machinery and equipment closed and in locked position.
- Wear metal toe shoes against the possibility of heavy objects falling on to your feet.

Fumes and Gases May Be Harmful To Your Health



Long-term inhalation of fumes and gases released from welding / cutting is very dangerous.

- Burning sensations and irritations in the eyes, nose and throat are signs of inadequate ventilation. In such a case, immediately boost the ventilation of the work area, and if the problem persists, stop the welding / cutting process completely.
- Create a natural or artificial ventilation system in the work area.
- Use a suitable fume extraction system where welding / cutting works are being carried out. If necessary, install a system that can expel fumes and gases accumulated in the entire workshop. Use a suitable filtration system to avoid polluting the environment during discharge.
- If you are working in narrow and confined spaces or if you are welding lead, beryllium, cadmium, zinc, coated or painted materials, use masks that provide fresh air in addition to the above precautions.
- If the gas tanks are grouped in a separate zone, ensure that they are well ventilated, keep the main valves closed when gas cylinders are not in use, pay attention to possible gas leaks.
- Shielding gases such as argon are denser than air and can be inhaled instead of air if used in confined spaces. This is dangerous for your health as well.
- Do not perform welding / cutting operations in the presence of chlorinated hydrocarbon vapors released during lubrication or painting operations.
- Some welded / cut parts require special ventilation. The safety rules of products that require special ventilation should be read carefully. A suitable gas mask should be worn when necessary.

Arc Light May Damage Your Eyes and Skin



- Use a standard protective mask and a suitable glass filter to protect your eyes and face.
- Protect other naked parts of your body (arms, neck, ears, etc.) with suitable protective clothing from these rays.
- Enclose your work area with flame-resistant folding screens and hang warning signs at eye level so that people around you will not sustain injuries from arc rays and hot metals.
- This machine is not used for heating of icebound pipes. This operation performed with the welding / cutting machine causes explosion, fire or damage to your installation.

Sparks and Spattering Particles May Get Into Eyes and Cause Damage



- Performing works such as welding / cutting, surface grinding, and brushing cause sparks and metal particles to splatter. Wear approved protective work goggles which have edge guards under the welding masks to prevent sustaining possible injuries.

Hot Parts May Cause Severe Burns



- Do not touch the hot parts with bare hands.
- Wait until the time required for the machine to cool down before working on its parts.
- If you need to hold hot parts, use suitable tools, welding / cutting gloves with high-level thermal insulation and fire-resistant clothes.

Noise May Cause Damage To Your Hearing Ability



- The noise generated by some equipment and operations may damage your hearing ability.
- Wear approved personal ear protective equipment if the noise level is high.

Welding Wires Can Cause Injuries



- Do not point the torch towards any part of the body, other persons, or any metal while unwrapping the welding / cutting wire.
- When welding wire is run manually from the roller especially in thin diameters the wire can slip out of your hand, like a spring or can cause damage to you or other people around, therefore you must protect your eyes and face while working on this.

Welding Operations May Cause Fire and Explosion



- Never perform welding / cutting work in places near flammable materials. There may be fire or explosions.
- Before starting the welding / cutting work, remove these materials from the environment or cover them with protective covers to prevent combustions and flaring.
- National and international special rules apply in these areas.
- Do not apply welding / cutting operations into completely closed tanks or pipes.
- Before welding to tanks and closed containers, open them, completely empty them, and clean them. Pay the greatest attention possible to the welding / cutting operations you will perform in such places.
- Do not weld in tanks and pipes which might have previously contained substances that may cause explosions, fires or other reactions.
- Welding / cutting equipment heats up. For this reason, do not place it on surfaces that could easily burn or be damaged !
- Sparks and splashing parts may cause a fire. For this reason, keep materials such as fire extinguishers tubes, water, and sand in easily accessible places.
- Use holding valves, gas regulators and valves on flammable, explosive and compressed gas circuits. Make sure that they are periodically inspected and pay attention that they run reliably.

Maintenance Work Performed by Unauthorized Persons To Machines and Apparatus May Cause Injuries



- Electrical equipment should not be repaired by unauthorized persons. Errors occurred if failed to do so may result in serious injury or death when using the equipment.
- The gas circuit elements operate under pressure; explosions may occur as a result of services provided by unauthorized persons, users may sustain serious injuries.
- It is recommended to perform technical maintenance of the machine and its auxiliary units at least once a year.

Welding / Cutting in Small Sized and Confined Spaces

- In small-sized and confined spaces, absolutely make sure to perform welding / cutting operations, accompanied by another person.
- Avoid performing welding / cutting operations in such enclosed areas as much as possible.

**Failure To Take Precautions During Transport May Cause Accidents**

- Take all necessary precautions when moving the machine. The areas where the machine to be transported, parts to be used in transportation and the physical conditions and health of the person carrying out the transportation works should be suitable for the transportation process.
- Some machines are extremely heavy; therefore, make sure that the necessary environmental safety measures are taken when changing their places.
- If the machine is to be used on a platform, it must be checked that this platform has suitable load bearing limits.
- If it is to be transported by means of a haulage vehicle (transport trolley, forklift etc.), make sure of the durability of the vehicle, and the connection points (carrying suspenders, straps, bolts, nuts, wheels, etc.) that connect the machine to this vehicle.
- If the machine will be carried manually, make sure the durability of the machine apparatuses (carrying suspenders, straps, etc.) and connections.
- Observe the International Labor Organization's rules on carriage weights and the transport regulations in force in your country in order to ensure the necessary transport conditions.
- Always use handles or carrying rings when relocating the power-supply sources. Never pull from torches, cables or hoses. Be absolutely sure to carry gas cylinders separately.
- Remove all interconnections before transporting the welding / cutting equipment, each being separately, lift and transport small ones using its handles, and the big ones from its handling rings or by using appropriate haulage equipment, such as forklifts.

Falling Parts May Cause Injuries

Improper positioning of the power-supply sources or other equipment can cause serious injury to persons and physical damage to other objects.

- Place your machine on the floor and platforms with a maximum tilt of 10° so that it does not fall or tip over. Choose places that do not interfere with the flow of materials, where there is no risk of tripping over on cables and hoses; yet, large, easily ventilatable, dust-free areas. To prevent gas cylinders from tipping over, on machines with a gas platform suitable for the tanks, fix the tanks on to the platform; in stationary usage applications, fix them to the wall with a chain in a way that they would not tip over for sure.
- Allow operators to easily access settings and connections on the machine.

Excessive Use Of The Machine Causes Overheating

- Allow the machine to cool down according to operation cycle rates.
- Reduce the current or operation cycle rate before starting the welding / cutting again.
- Do not block the fronts of air vents of the machines.
- Do not put filters that do not have manufacturer approvals into the machine's ventilation ports.

Excessive Use Of The Machine Causes Overheating

- This device is in group 2, class A in EMC tests according to TS EN 55011 standard.
- This class A device is not intended for use in residential areas where electrical power is supplied from a low-voltage power supply. There may be potential difficulties in providing electromagnetic compatibility due to radio frequency interference transmitted and emitted in such places.



This device is not compliant with IEC 61000 -3-12. In case if it is desired to be connected to the low voltage network used in the home, the installer to make the electrical connection or the person who will use the machine must be aware that the machine has been connected in such a manner; in this case the responsibility belongs to the user.

- Make sure that the work area complies with electromagnetic compatibility (EMC). Electromagnetic interferences during welding / cutting operations may cause undesired effects on your electronic devices and network; and the effects of these interferences that may occur during these operations are under the responsibility of the user.
- If there is any interference, to ensure compliance; extra measures may be taken, such as the use of short cables, use of shielded (armored) cables, transportation of the welding machine to another location, removal of cables from the affected device and / or area, use of filters or taking the work area under protection in terms of EMC.
- To avoid possible EMC damage, make sure to perform your welding / cutting operations as far away from your sensitive electronic devices as possible (100 m).

- Ensure that your welding and/or cutting machine has been installed and situated in its place according to the user manual.

Evaluation Of Electromagnetic Suitability Of The Work Area

According to article 5.2 of IEC 60974-9; Before installing the welding / cutting equipment, the person in charge of the operation and / or the user must conduct an inspection of possible electromagnetic interference in the environment.

- Aspects indicated below has to be taken into consideration;
- a) Other supply cables, control cables, signal and telephone cables, above and below the welding / cutting machine and its equipment,
 - b) Radio and television transmitters and receivers,
 - c) Computer and other control hardware,
 - d) Critical safety equipment, e.g. protection of industrial equipment,
 - e) Medical apparatus for people in the vicinity, e.g. pacemakers and hearing aids,
 - f) Equipment used for measuring or calibration,
 - g) Immunity of other equipment in the environment. The user must ensure that the other equipment in use in the environment is compatible. This may require additional protection measures.
 - h) Considering the time during which the welding / cutting operations or other activities take place during the day, the boundaries of the investigation area can be expanded according to the size of the building, the structure of the building and other activities that are being performed in the building.

In addition to the evaluation of the field, evaluation of device installations may also be necessary for solving the interfering effect. In case if deemed necessary, on-site measurements can also be used to confirm the efficiency of mitigation measures.

(Source: IEC 60974-9).

Electromagnetic Interference Reduction Methods



- The appliance must be connected to the electricity supply in the recommended manner by a competent person. If interference occurs, additional measures may be applied, such as filtering the network. The supply of the fixed-mounted arc welding equipment must be made in a metal tube or with an equivalent shielded cable. The housing of the power supply must be connected and a good electrical contact between these two structures has to be provided.
- The recommended routine maintenance of the appliance must be carried out. All covers on the body of the machine must be closed and / or locked when the device is in use. Any changes, other than the standard settings without the written approval of the manufacturer, cannot be modified on the appliance. Otherwise, the user is responsible for any consequences that may possibly occur.
- Welding / cutting cables should be kept as short as possible. They must move along the floor of the work area, in a side by side manner. Welding / cutting cables should not be wound in any way.
- A magnetic field is generated on the machine during welding / cutting. This may cause the machine to pull metal parts on to itself. To avoid this attraction, make sure that the metal materials are at a safe distance or fixed. The operator must be insulated from all these interconnected metal materials.
- In cases where the workpiece cannot be connected to the ground due to electrical safety, or because of its size and position (for example, in building marine vessel bodies or in steel construction manufacturing), a connection between the workpiece and the grounding may reduce emissions in some cases, it should be kept in mind that grounding of the workpiece may cause users to sustain injuries or other electrical equipment in the environment to break down. In cases where necessary, the workpiece and the grounding connection can be made as a direct connection, but in some countries where direct connection is not permissible, the connection can be established using appropriate capacity elements in accordance with local regulations and ordinances.
- Screening and shielding of other devices and cables in the work area can prevent aliasing effects. Screening of the entire welding / cutting area can be evaluated for some specific applications.

Electromagnetic Field (EMF)



The electrical current passing through any conductor generates zonal electric and magnetic fields (EMF).

- All operators must follow the following procedures to minimize the risk of exposure to EMF;
- In the name of reducing the magnetic field, the welding / cutting cables must be assembled and secured as far as possible with the joining materials (tape, cable ties etc.).
 - The operator's body and head should be kept as far away from the welding / cutting machine and cables as possible,

The electrical current passing through any conductor generates zonal electric and magnetic fields (EMF).

All operators must follow the following procedures to minimize the risk of exposure to EMF;

- In the name of reducing the magnetic field, the welding / cutting cables must be assembled and secured as far as possible with the joining materials (tape, cable ties etc.).
- The operator's body and head should be kept as far away from the welding / cutting machine and cables as possible,
- Welding / cutting and electric cables should not be wrapped around the body of the machine in any way,
- The body of the machine should not get caught between the welding / cutting cables. The source cables must be kept away from the body of the machine, both being placed side by side,
- The return cable must be connected to the workpiece as close as possible to the work area,
- The welding / cutting machine should not rest against the power unit, ensconce on it and not work too close to it,
- Welding / cutting work should not be performed when carrying the wire supply unit or power unit.

EMF may also disrupt the operation of medical implants (materials placed inside the body), such as pacemakers. Protective measures should be taken for people who carry medical implants. For example, access limitation may be imposed for passers-by, or individual risk assessments may be conducted for welders. Risk assessment should be conducted and recommendations should be made by a medical professional for users who carry medical implants.

Protection



- Do not expose the machine to rain, prevent the machine from splashing water or pressurized steam.

Energy Efficiency



- Choose the welding / cutting method and welding machine for the welding work you are to perform.
- Select the welding / cutting current and/or voltage to match the material and thickness you are going to weld.
- If you have to wait for a long time before you start your welding / cutting work, turn off the machine after the fan has cooled it down. Our machines with smart fan control will turn off on their own.

Waste Procedure



- This device is not domestic waste. It must be directed to recycling within the framework of the European Union directive and national laws.
- Obtain information from your dealer and authorized persons about the waste management of your used machines.

WARRANTY FORM



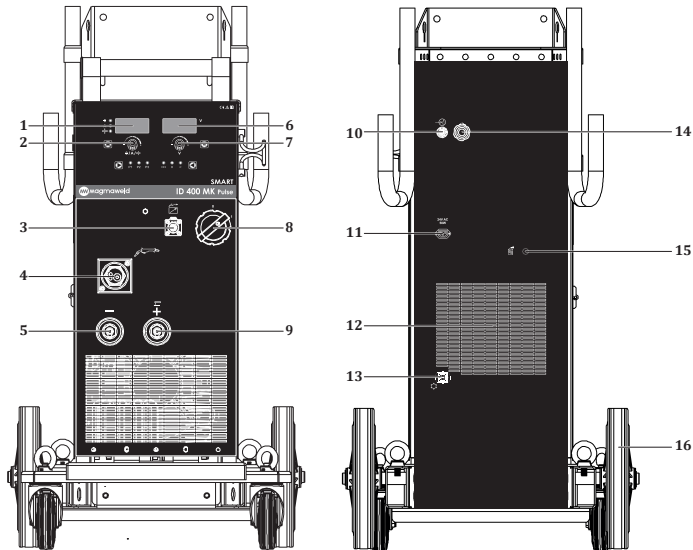
Please visit our website www.magmaweld.com/warranty-form/wr for warranty form.

TECHNICAL INFORMATION

1.1 General Information

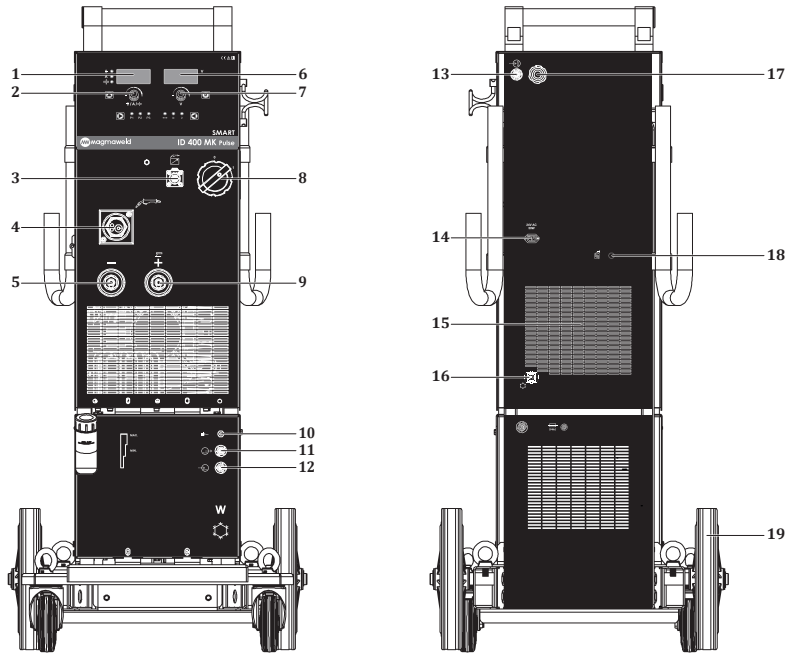
ID 300 MK / MKW PULSE SMART, ID 400 MK / MKW PULSE SMART is a three-phase industrial inverter MIG / MAG welding machine with Pulse technology, designed for heavy conditions. It offers easy movement with its compact structure. It offers excellent welding properties with all solid and cored wires. CC / CV power supply; It allows you to perform MIG, TIG, MMA welding methods and carbon gouging with a single machine. Thanks to its synergic feature, welding current and voltage are adjusted automatically after welding parameters are determined. Its classic and smart modes make it easy for the user to adapt to the synergic mode.

1.2 Machine Components



**Figure 1 : ID 300 MK PULSE SMART / ID 400 MK PULSE SMART
Front and Rear View**

- | | |
|------------------------|----------------------------------|
| 1- Digital Display | 9- Electrode (+) Pole Connection |
| 2- Adjustment Pot | 10- Gas Inlet |
| 3- Data Socket | 11- Heater Socket Socket |
| 4- Torch Connection | 12- Fan |
| 5- (-) Pole Connection | 13- Water Unit Energy Socket |
| 6- Digital Display | 14- Mains Cable |
| 7- Adjustment Pot | 15- Canister Wire Input |
| 8- On / Off Switch | 16- Wheel |



**Figure 2 : ID 300 MKW PULSE SMART / ID 400 MKW PULSE SMART
Front and Rear View**

- | | |
|----------------------------------|----------------------------------|
| 1- Digital Display | 11- Water Unit Hot Water Inlet |
| 2- Adjustment Pot | 12- Water Unit Cold Water Outlet |
| 3- Data Socket | 13- Gas Inlet |
| 4- Torch Connection | 14- Heater Socket Socket |
| 5- (-) Pole Connection | 15- Fan |
| 6- Digital Display | 16- Cooling System Connection |
| 7- Adjustment Pot | 17- Mains Cable |
| 8- On / Off Switch | 18- Canister Wire Input |
| 9- Electrode (+) Pole Connection | 19- Wheel |
| 10- Water Unit Led | |

1.3 Product Label

EN

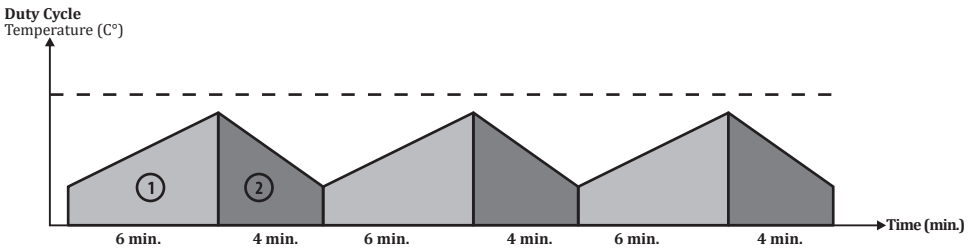
MAGMA MEKATRONİK MAKİNE SAN. VE TİC. A.Ş. Organize Sanayi Bölgesi 5.Kısım Manisa-TÜRKİYE																																																					
ID 300MK Pulse SMART					S/N:																																																
					EN 60974-1 / EN 60974-10 Class A																																																
<table border="1"> <tr> <td rowspan="2">U_N=82V</td> <td colspan="4">50A / 22V - 300A / 32V</td> <td rowspan="2">U_N=82V</td> <td colspan="4">50A / 16.5V - 300A / 29V</td> </tr> <tr> <td>X_(400C)</td> <td>40%</td> <td>60%</td> <td>100%</td> <td>X_(400C)</td> <td>40%</td> <td>60%</td> <td>100%</td> </tr> <tr> <td>I₂</td> <td>300A</td> <td>245A</td> <td>190A</td> <td>I₂</td> <td>300A</td> <td>245A</td> <td>190A</td> <td>I₂</td> <td>29V</td> </tr> <tr> <td>U₂</td> <td>32V</td> <td>29.8V</td> <td>27.6V</td> <td>U₂</td> <td>29V</td> <td>26.2V</td> <td>23.5V</td> <td>U₂</td> <td></td> </tr> </table>					U _N =82V	50A / 22V - 300A / 32V				U _N =82V	50A / 16.5V - 300A / 29V				X _(400C)	40%	60%	100%	X _(400C)	40%	60%	100%	I ₂	300A	245A	190A	I ₂	300A	245A	190A	I ₂	29V	U ₂	32V	29.8V	27.6V	U ₂	29V	26.2V	23.5V	U ₂		<table border="1"> <tr> <td>U_N=400V</td> <td>I_{trmax} = 23.2A</td> <td>I_{trref} = 14.7A</td> <td>U_N=400V</td> <td>I_{trmax} = 21.3A</td> <td>I_{trref} = 13.5A</td> </tr> </table>					U _N =400V	I _{trmax} = 23.2A	I _{trref} = 14.7A	U _N =400V	I _{trmax} = 21.3A	I _{trref} = 13.5A
U _N =82V	50A / 22V - 300A / 32V					U _N =82V	50A / 16.5V - 300A / 29V																																														
	X _(400C)	40%	60%	100%	X _(400C)		40%	60%	100%																																												
I ₂	300A	245A	190A	I ₂	300A	245A	190A	I ₂	29V																																												
U ₂	32V	29.8V	27.6V	U ₂	29V	26.2V	23.5V	U ₂																																													
U _N =400V	I _{trmax} = 23.2A	I _{trref} = 14.7A	U _N =400V	I _{trmax} = 21.3A	I _{trref} = 13.5A																																																
IP21S																																																					
MAGMA MEKATRONİK MAKİNE SAN. VE TİC. A.Ş. Organize Sanayi Bölgesi 5.Kısım Manisa-TÜRKİYE																																																					
ID 300MKW Pulse SMART					S/N:																																																
					EN 60974-1 / EN 60974-10 Class A																																																
<table border="1"> <tr> <td rowspan="2">U_N=82V</td> <td colspan="4">50A / 22V - 300A / 32V</td> <td rowspan="2">U_N=82V</td> <td colspan="4">50A / 16.5V - 300A / 29V</td> </tr> <tr> <td>X_(400C)</td> <td>40%</td> <td>60%</td> <td>100%</td> <td>X_(400C)</td> <td>40%</td> <td>60%</td> <td>100%</td> </tr> <tr> <td>I₂</td> <td>300A</td> <td>245A</td> <td>190A</td> <td>I₂</td> <td>300A</td> <td>245A</td> <td>190A</td> <td>I₂</td> <td>29V</td> </tr> <tr> <td>U₂</td> <td>32V</td> <td>29.8V</td> <td>27.6V</td> <td>U₂</td> <td>29V</td> <td>26.2V</td> <td>23.5V</td> <td>U₂</td> <td></td> </tr> </table>					U _N =82V	50A / 22V - 300A / 32V				U _N =82V	50A / 16.5V - 300A / 29V				X _(400C)	40%	60%	100%	X _(400C)	40%	60%	100%	I ₂	300A	245A	190A	I ₂	300A	245A	190A	I ₂	29V	U ₂	32V	29.8V	27.6V	U ₂	29V	26.2V	23.5V	U ₂		<table border="1"> <tr> <td>U_N=400V</td> <td>I_{trmax} = 23.2A</td> <td>I_{trref} = 14.7A</td> <td>U_N=400V</td> <td>I_{trmax} = 21.3A</td> <td>I_{trref} = 13.5A</td> </tr> </table>					U _N =400V	I _{trmax} = 23.2A	I _{trref} = 14.7A	U _N =400V	I _{trmax} = 21.3A	I _{trref} = 13.5A
U _N =82V	50A / 22V - 300A / 32V					U _N =82V	50A / 16.5V - 300A / 29V																																														
	X _(400C)	40%	60%	100%	X _(400C)		40%	60%	100%																																												
I ₂	300A	245A	190A	I ₂	300A	245A	190A	I ₂	29V																																												
U ₂	32V	29.8V	27.6V	U ₂	29V	26.2V	23.5V	U ₂																																													
U _N =400V	I _{trmax} = 23.2A	I _{trref} = 14.7A	U _N =400V	I _{trmax} = 21.3A	I _{trref} = 13.5A																																																
IP21S																																																					
MAGMA MEKATRONİK MAKİNE SAN. VE TİC. A.Ş. Organize Sanayi Bölgesi 5.Kısım Manisa-TÜRKİYE																																																					
ID 400MK Pulse SMART					S/N:																																																
					EN 60974-1 / EN 60974-10 Class A																																																
<table border="1"> <tr> <td rowspan="2">U_N=82V</td> <td colspan="4">50A / 22V - 400A / 36V</td> <td rowspan="2">U_N=82V</td> <td colspan="4">50A / 16.5V - 400A / 34V</td> </tr> <tr> <td>X_(400C)</td> <td>40%</td> <td>60%</td> <td>100%</td> <td>X_(400C)</td> <td>40%</td> <td>60%</td> <td>100%</td> </tr> <tr> <td>I₂</td> <td>400A</td> <td>327A</td> <td>253A</td> <td>I₂</td> <td>400A</td> <td>327A</td> <td>253A</td> <td>I₂</td> <td>34V</td> </tr> <tr> <td>U₂</td> <td>36V</td> <td>33.1V</td> <td>30.1V</td> <td>U₂</td> <td>34V</td> <td>30.3V</td> <td>26.6V</td> <td>U₂</td> <td></td> </tr> </table>					U _N =82V	50A / 22V - 400A / 36V				U _N =82V	50A / 16.5V - 400A / 34V				X _(400C)	40%	60%	100%	X _(400C)	40%	60%	100%	I ₂	400A	327A	253A	I ₂	400A	327A	253A	I ₂	34V	U ₂	36V	33.1V	30.1V	U ₂	34V	30.3V	26.6V	U ₂		<table border="1"> <tr> <td>U_N=400V</td> <td>I_{trmax} = 33.5A</td> <td>I_{trref} = 21.2A</td> <td>U_N=400V</td> <td>I_{trmax} = 32.1A</td> <td>I_{trref} = 20.3A</td> </tr> </table>					U _N =400V	I _{trmax} = 33.5A	I _{trref} = 21.2A	U _N =400V	I _{trmax} = 32.1A	I _{trref} = 20.3A
U _N =82V	50A / 22V - 400A / 36V					U _N =82V	50A / 16.5V - 400A / 34V																																														
	X _(400C)	40%	60%	100%	X _(400C)		40%	60%	100%																																												
I ₂	400A	327A	253A	I ₂	400A	327A	253A	I ₂	34V																																												
U ₂	36V	33.1V	30.1V	U ₂	34V	30.3V	26.6V	U ₂																																													
U _N =400V	I _{trmax} = 33.5A	I _{trref} = 21.2A	U _N =400V	I _{trmax} = 32.1A	I _{trref} = 20.3A																																																
IP21S																																																					
MAGMA MEKATRONİK MAKİNE SAN. VE TİC. A.Ş. Organize Sanayi Bölgesi 5.Kısım Manisa-TÜRKİYE																																																					
ID 400MKW Pulse SMART					S/N:																																																
					EN 60974-1 / EN 60974-10 Class A																																																
<table border="1"> <tr> <td rowspan="2">U_N=82V</td> <td colspan="4">50A / 22V - 400A / 36V</td> <td rowspan="2">U_N=82V</td> <td colspan="4">50A / 16.5V - 400A / 34V</td> </tr> <tr> <td>X_(400C)</td> <td>40%</td> <td>60%</td> <td>100%</td> <td>X_(400C)</td> <td>40%</td> <td>60%</td> <td>100%</td> </tr> <tr> <td>I₂</td> <td>400A</td> <td>327A</td> <td>253A</td> <td>I₂</td> <td>400A</td> <td>327A</td> <td>253A</td> <td>I₂</td> <td>34V</td> </tr> <tr> <td>U₂</td> <td>36V</td> <td>33.1V</td> <td>30.1V</td> <td>U₂</td> <td>34V</td> <td>30.3V</td> <td>26.6V</td> <td>U₂</td> <td></td> </tr> </table>					U _N =82V	50A / 22V - 400A / 36V				U _N =82V	50A / 16.5V - 400A / 34V				X _(400C)	40%	60%	100%	X _(400C)	40%	60%	100%	I ₂	400A	327A	253A	I ₂	400A	327A	253A	I ₂	34V	U ₂	36V	33.1V	30.1V	U ₂	34V	30.3V	26.6V	U ₂		<table border="1"> <tr> <td>U_N=400V</td> <td>I_{trmax} = 33.5A</td> <td>I_{trref} = 21.2A</td> <td>U_N=400V</td> <td>I_{trmax} = 32.1A</td> <td>I_{trref} = 20.3A</td> </tr> </table>					U _N =400V	I _{trmax} = 33.5A	I _{trref} = 21.2A	U _N =400V	I _{trmax} = 32.1A	I _{trref} = 20.3A
U _N =82V	50A / 22V - 400A / 36V					U _N =82V	50A / 16.5V - 400A / 34V																																														
	X _(400C)	40%	60%	100%	X _(400C)		40%	60%	100%																																												
I ₂	400A	327A	253A	I ₂	400A	327A	253A	I ₂	34V																																												
U ₂	36V	33.1V	30.1V	U ₂	34V	30.3V	26.6V	U ₂																																													
U _N =400V	I _{trmax} = 33.5A	I _{trref} = 21.2A	U _N =400V	I _{trmax} = 32.1A	I _{trref} = 20.3A																																																
IP21S																																																					

EN

	Three Phase Transformer Rectifier	X	Duty Cycle
CC / CV	Constant Current / Constant Voltage	U ₀	Open Circuit Voltage
	Direct Current	U ₁	Mains Voltage and Frequency
	MIG/MAG Welding	U ₂	Rated Welding Voltage
	Mains Input 3-Phase Alternating Current	I ₁	Rated Mains Current
	Suitable for Operation at Hazardous Environments	I ₂	Rated Welding Current
S/N	Serial Number	S ₁	Rated Power
		IP21	Protection Class

• S / N (Serial Number) Description

Machine ID		Production Year		Week		Sequence Number					
X	X	X	X	X	X	X	X	X	X	X	X
Machine Group	Model Order					Sequence number of the machine produced within that year					



As defined in the standard EN 60974-1, the duty cycle rate includes a time period of 10 minutes. For example, if a machine specified as 250A at %60 is to be operated at 250A, the machine can weld / cut without interruption in the first 6 minutes of the 10 minutes period (zone 1). However, the following 4 minutes should be kept idle for the machine cool down (zone 2).

1.4 Technical Data

TECHNICAL DATA	UNIT	ID 300 MK/MKW PULSE SMART
Mains Voltage (3 phase - 50-60 Hz)	V	400
Rated Power (%40)	kVA	14,7
Power Source Efficiency	%	MMA 86,21 / MIG 87,01
IDLE State Power Consumption	W	23
Welding Current Range	ADC	50 - 300
Rated Welding Current (%40)	ADC	300
Open Circuit Voltage	VDC	82
Dimensions (L x W x H)	MK	1138 x 528 x 837
	MKW	1180 x 528 x 1137
Weight	MK	86
	MKW	110
Protection Class		IP21S

TECHNICAL DATA	UNIT	ID 400 MK/MKW PULSE SMART
Mains Voltage (3 phase - 50-60 Hz)	V	400
Rated Power (%40)	kVA	22,1
Power Source Efficiency	%	MMA 86,61 / MIG 87,07
IDLE State Power Consumption	W	23
Welding Current Range	ADC	50 - 400
Rated Welding Current (%40)	ADC	400
Open Circuit Voltage	VDC	82
Dimensions (L x W x H)	MK	1138 x 528 x 837
	MKW	1180 x 528 x 1137
Weight	MK	86
	MKW	110
Protection Class		IP21S

1.5 Accessories

STANDARD ACCESSORIES	QTY	ID 300 MK/MKW PULSE SMART	ID 400 MK/MKW PULSE SMART
Workpiece Clamp and Cable	1	7905203505 (35 mm ² - 5 m)	7905305005 (50 mm ² - 5 m)
Gas Hose	1	7907000002	
MIG / MAG CO ₂ Accessory Set*	1	-	
MIG/MAG Mix/Argon Accessory Set*	1	-	

* Must be verified during order.

OPTIONAL ACCESSORIES	QTY	ID 300 - 400 MK/MKW PULSE SMART
CO ₂ Heater	1	7020009003
Gas Regulator (CO ₂)	1	7020001005
Gas Regulator (Mix)	1	7020001004
Lava MIG 50W Water Cooled MIG Torch (3 m)	1	7120050003

INSTALLATION

2.1 Delivery Control

Make sure that all the materials you have ordered have been received. If any material is missing or damaged, contact your place of purchase immediately.

The standard box includes the following;

- Welding machine and connected mains cable
- Gas hose
- Welding Wire
- Workpiece clamp and cable
- Warranty certificate
- User manual

In case of a damaged delivery, record a report, take a picture of the damage and report to the transport company together with a photocopy of the delivery note. If the problem persists, contact the customer service.

Symbols and their meanings on the device



Welding may be dangerous. For welding should ensure proper working conditions, and the authorized person should take necessary precautions. Specialists are responsible for the machine and have to be equipped with the necessary equipment and those who are not relevant should be kept away from the welding area.



This device is not compatible with IEC 61000-3-12. If it is desired to connect to the low voltage mains used in homes, it is essential that the installer or the person who will operate the machine to make the electrical connection must have the information on the machine's connectivity. In this case, the person who will perform the installation or the operator will assume responsibility.



The safety symbols and warning notes on the device and in the operating instructions must be observed and the labels must not be removed.



Grids are intended for ventilation. The openings should not be covered to provide good cooling and no foreign objects should be inserted.

2.2 Installation and Operation Recommendations

- Lifting rings or forklifts should be used to move the machine. Do not lift the machine with the gas cylinder. When manually carrying portable welding machines, action must be taken in accordance with Occupational Health and Safety regulations. Necessary arrangements must be made in the workplace to ensure that the transportation process is carried out in accordance with health and safety conditions as much as possible. Precautions should be taken in accordance with the characteristics of the working environment and the requirements of the job. Place the machine on a hard, level, smooth surface where it will not fall or tip over
- If the ambient temperature exceeds 40°C, operate the machine at a lower current or a lower operating cycle.
- Avoid welding outdoors in windy and rainy weather circumstances. If welding is necessary in such cases, protect the welding area and the welding machine with a curtain and canopy.
- When positioning the machine, make sure that materials such as walls, curtains, boards do not prevent easy access to the machine's controls and connections.
- If you weld indoors, use a suitable fume extraction system. Use breathing apparatus if there is a risk of inhaling welding fumes and gas in confined spaces.
- Observe the operating cycle rates specified on the product label. Suspending operating cycle rates can damage the machine and this may invalidate the warranty.
- The supply cable must comply with the specified fuse value.
- Tighten the ground wire as close as possible to the workpiece. Do not allow the welding current to pass through equipment other than the welding cables such as the machine itself, gas cylinder, chain and roller bearing.
- When the gas cylinder is placed on the machine, secure the gas cylinder by connecting the chain immediately. If you will not place the gas cylinder on the machine, secure the gas cylinder to the wall with a chain.
- The electrical outlet on the back of the machine is for the CO₂ heater. Never connect a device to the CO₂ outlet other than the CO₂ heater !

2.3 Connections

2.3.1 Mains Plug Connection



For your safety, never use the mains cord of the machine without a plug.

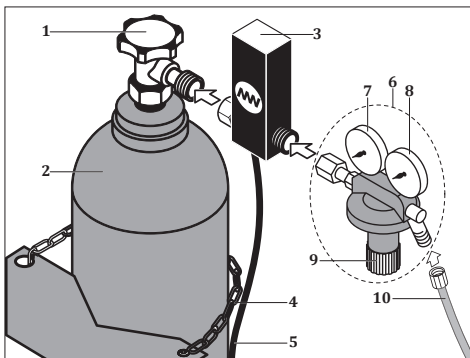
- No plug has been connected to the mains cable since there may different types of outlets available in plants, construction sites and workshops. A suitable plug must be connected by a qualified technician. Make sure that the grounding cable marked with \oplus and a yellow / green color is present.
- After connecting the plug to the cable, do not attach it to the outlet at this stage.

2.3.2 Connecting the Grounding Clamp to the Workpiece

- Firmly connect the grounding clamp to the workpiece as close as possible to the welding area.

2.3.3 Connecting the Gas Cylinder

- Use regulators and heaters that comply with international standards to work safely and achieve the best results. Make sure the size of the hose connection of the gas regulator you are using is 3/8 .
- Open the gas cylinder valve, keeping your head and face away from the outlet of the valve and keep it open for 5 seconds. By this means, possible sediment and impurities will be discharged.
- If the CO₂ heater is to be used, first connect the CO₂ heater to the gas cylinder. After connecting the gas regulator to the CO₂ heater, insert the plug of the CO₂ heater into the CO₂ heater outlet on the back of the machine.
- If the CO₂ heater will not be used, connect the gas regulator directly to the gas cylinder.
- Connect one end of the tube hose to the gas regulator and tighten the clamp. Connect the other end to the gas inlet at the back of the machine and tighten the nut.
- Open the gas cylinder valve to check that the tube is full and that there are no leaks in the gas flow path. If you hear a noise and/or detect a smell of gas as a leak indicator, examine your connections and eliminate leakage.



- | | |
|--|--------------------------|
| 1- Gas Cylinder Valve | 6- Gas Regulator |
| 2- Gas Cylinder | 7- Manometer |
| 3- CO ₂ Heater | 8- Flowmeter |
| 4- Chain | 9- Flow Adjustment Valve |
| 5- CO ₂ Heater Energy Cable | 10- Gas Hose |

Figure 3 : Gas Cylinder - Heater - Regulator Connections

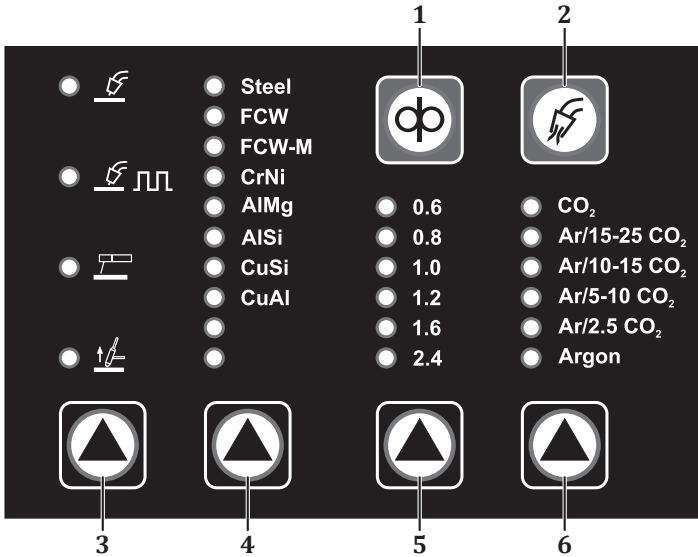
2.3.4 Water Cooling Unit

- Unit the water cooling unit is used to cool the torch. It is a closed circuit system consisting of radiator, fan, pump, coolant reservoir.
- Connect the cold (blue) water hose to the cold water outlet on the water cooling system, and the hot (red) water hose to the hot water inlet on the water cooling system.
- Magmaweld welding machines come with Magmaweld coolant, which is produced to give the best performance. In case of lack of coolant, open the coolant reservoir cap and add Magmaweld coolant suitable for the temperature of the working environment. The coolant must be within the minimum and maximum values shown on the front panel of the unit.
- Different coolant or water should not be added. Different liquid additives can cause chemical reactions or different problems.
- Magmaweld is not responsible for the risks that may arise in case of adding different liquids. All warranty provisions will be void if different coolant or water is added to the Magmaweld coolant.
- If it is desired to use a different brand of coolant, the inside of the coolant tank should be completely empty and there should be no residue or liquid in it.
- It is not suitable to use the water-cooling units with welding machines other than manufactured by Magma Mekatronik Makine ve Sanayi Ticaret A.Ş. Water cooling units cannot be operated with external supply.

✂ OPERATION

EN

3.1 Settings in the Wire Feeder Unit



1-) WIRE FEEDING

As long as the button is pressed, the wire is driven and the gas valve does not work. You can use this button to drive the wire into the torch.








2-) GAS FLOW

As long as the button is pressed, gas flow is ensured and wire feed does not work. You can use this button after gas change.

3-) WELDING METHOD SELECTION

Welding method is selected. Each press of the button enables a transition between the lines in the relevant column. When the welding method is selected, the relevant led will light.

Setting Range

-  • MIG/MAG
-  • Pulse MIG/MAG
-  *Pulse welding method is only available in models with pulse. In no pulse(W/O Pulse) models, when this line is reached, the led will not light and Pulse will not be active.*
- MMA
-   *According to the welding method chosen you need to adjust your connections and accessories. There is a separate outlet for the MMA method in front of the machine.*
- Lift TIG
-   *In Lift TIG welding method, suitable apparatus should be used for torch connector connection. Thanks to the special apparatus, it will be compatible with the Euro connector.*

4-) WIRE TYPE SELECTION

Wire type is selected. The type of wire to be used must be selected correctly. Each press of the button enables a transition between the lines in the relevant column. When the wire type is selected, the corresponding led will light.

Setting Range

- Steel
- FCW
- FCW-M
- CrNi
- AlMg
- AlSi
- CuSi
- CuAl

5-) WIRE DIAMETER SELECTION

Wire diameter is selected. The wire diameter to be used must be selected correctly. Each press of the button enables a transition between the lines in the relevant column. When the wire type is selected, the corresponding led will light.

Setting Range

- 0.6 - 2.4 mm

6-) GAS TYPE SELECTION

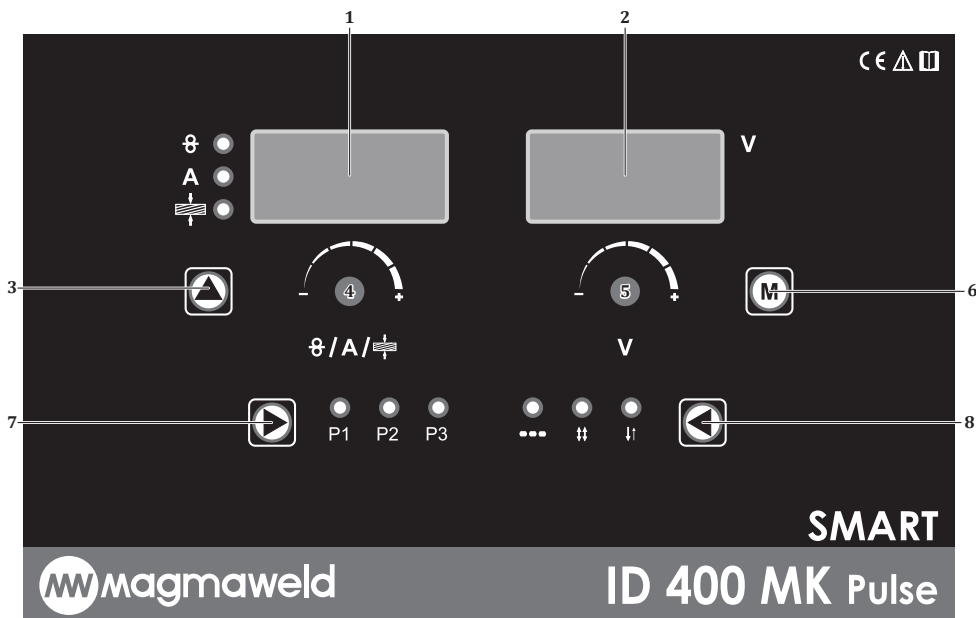
Gas type is selected. The type of gas to be used must be selected correctly. Each press of the button enables a transition between the lines in the relevant column. When the wire type is selected, the corresponding led will light.

Setting Range

- CO₂
- Ar/15-25 CO₂
- Ar/10-15 CO₂
- Ar/5-10 CO₂
- Ar/2.5 CO₂
- Argon

3.2 User Interface

EN



1-) LEFT DISPLAY

It displays the menu content, error messages, wire speed at idle/load time, welding current, thickness value depending on the selected mode. All parameters are displayed on the digital display.

	Idle	Load
Synergic Mode	Material Thickness	Welding Current
Smart Mode	Welding Set Current	Welding Current
Classic Mode	Wire Speed	Welding Current

2-) RIGHT DISPLAY



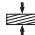
It displays the setting parameters of the functions and the welding voltage at the time of load or idle, depending on the selected mode.

	Idle	Load
Synergic Mode	Welding Set Voltage	Welding Voltage
Smart Mode	Welding Set Voltage	Welding Voltage
Classic Mode	Welding Set Voltage	Welding Voltage

3-) WELDING MODE SELECTION

Welding mode is selected. Each press of the button enables a transition between the lines in the relevant column. When the welding mode is selected, the relevant led will light.

Setting Range

-  • Classic Mode
-  • Smart Mode
-  • Synergic Mode

The choice you make from the method tab in the bag creates a differentiation in the welding mode options. When MIG / MAG welding method is selected as the welding method, the modes are as follows:

CLASSIC MODE


When selected, you can adjust your wire speed and welding voltage in certain tolerance value ranges. Wire speed will be adjusted between 1-24 m/min, welding voltage will be adjusted between 15-40 V.

SMART MODE


When selected, welding parameters such as wire type, wire diameter, gas type must be selected correctly. The machine will automatically adjust the optimum voltage according to the selected welding current. You can adjust the voltage by turning the adjustment knob in the +/- direction within a certain tolerance range.

SYNERGIC MODE

When selected, welding parameters such as wire type, wire diameter, gas type and thickness must be selected correctly. Both the current and the voltage will be automatically adjusted according to the selected welding parameters. The user can navigate both in the current and voltage within a certain tolerance range. The machine will automatically recalculate the voltage according to the current value set at the specified tolerance.

 *If you want to see which value the machine originally recommends and return to that value, simply press the adjustment button once.*

When Pulse MIG / MAG) welding method is selected as the welding method, the modes are as follows:

 *Pulse MIG/MAG welding method is only available in models with pulse.*

CLASSIC MODE

When selected, you can adjust your wire speed and welding voltage in certain tolerance value ranges. Wire speed will be adjusted between 1-24 m/min, welding voltage will be adjusted between 15-40 V.

SMART MODE

When selected, welding parameters such as wire type, wire diameter, gas type must be selected correctly. The machine will automatically adjust the optimum voltage according to the selected welding current. You can adjust the voltage by turning the adjustment knob in the +/- direction within a certain tolerance range.

SYNERGIC MODE

When selected, welding parameters such as wire type, wire diameter, gas type and thickness must be selected correctly. Both the current and the voltage will be automatically adjusted according to the selected welding parameters. The user can navigate both in the current and voltage within a certain tolerance range. The machine will automatically recalculate the voltage according to the current value set at the specified tolerance.

When MMA and Lift TIG welding are selected as welding methods, there is no selection in the mode section.

4-) SETTING POT

Pot (4) is turned right and left for the setting.

- When the MMA welding method is selected, the current is set by the pot.
- When the Lift TIG welding method is selected, the current is set by the pot.
- When the classic mode is selected, the wire speed is set by the pot.
- When the smart mode is selected, the current is set by the pot, the voltage against the adjusted current is automatically calculated.
- When the synergic mode is selected, the thickness of the material to be pot-welded is selected, the voltage is automatically calculated according to the set thickness.
- When you press the menu button (6) and go to the functions section, you need to press the pot once and switch to the other function in order to record in the relevant function.

Example;

When the pre gas (PrE) function is selected; (5) if this value is desired to be saved after setting with the pot (4) it is necessary to press the pot once and switch to the post gas, namely the other function (PoS). If the pot (4) is not pressed and next function (PoS) is not activated, and if you return directly to the main page, there will be no recording.

5-) SETTING POT

Pot (5) is turned right and left for the setting.

- When the classic mode is selected, the voltage value is set.
- When smart mode is selected (4), the voltage is automatically calculated against the current set with the pot. Within certain tolerance range (5) you can set the voltage by turning the pot left and right.
- When synergic mode is selected, voltage is calculated automatically according to set parameters. Within certain tolerance range (5) you can set the voltage by turning the pot left and right.
- When menu button is (6) selected, functions will appear. Pot related functions are set.

6-) FUNCTION SELECTION

When the button (6) is pressed once, functions will appear. To return to the main page, simply press the button again. The selected function (5) is set by turning the pot left or right, when you want to save the selected setting, it is necessary to move to the next function. It is enough to press the pot once to save (4) so, the setting is saved and the next function is activated. The menu section includes the following functions respectively:

PrE

Pre-Gas

Pre-gas time is set.

Setting Range

- 0 - 9.9 sec.

Before starting the welding for the specified time, gas comes in and then the welding starts. It provides protection of the welding pool when the welding starts.

PoS

Post-Gas

Post-gas time is set.

Setting Range

- 0 - 9.9 sec.

After the end of the welding for the specified time, gas comes and the welding ends. It provides protection of the welding pool at the end of the welding.

brn

Burn Back

Burnback adjustment is made.

Setting Range

- + 25 - 25

If the value seen on the screen is "+" in backburning, the wire will come forward for the specified time, if the value on the screen is "-", the wire will continue to burn back for the specified time. When the welding process is completed, it prevents the welding wire from sticking to the contact nozzle.

Pon**Welding Time**

When the method is selected, the welding time is set.

Setting Range

- 0.2 - 9.9 sn.

PoF**Blank Time**

No welding period is set when the method is selected.

Setting Range

- 0.0 - 9.9 sec.

SoS**Soft Start**

Soft start setting is made.

Setting Range

- On - Off

When starting to weld, the wire speed gradually increases from low speed to the set speed. In this way, knocks and splashes at the beginning of the welding are prevented.

Crt**Crater**

Crater function setting is made.

Setting Range

- On - Off

It is the filling process to prevent cracks that will occur at the end of welding. When the crater is active, the welding current is reduced with a certain linearity at the end of the welding and the welding ends.

7-) PROGRAM SELECTION

It is used to record the work done. There are 3 memories. The led of whichever program is processed (7) will burn. To save the program, it is necessary to press the button once and switch to the other program. If you are going to record in the program number 3, it will be enough to press the button once to save your settings after the P3 led is on. Thus, all program leds will be off. After the P3 program, there is an area that allows the program to work without registering. While in this area, the program will not be recorded and the program leds will be off.

Setting Range

- P1 - P2 - P3

8-) TRIGGER MODE SELECTION

Trigger mode selection will be made. Each time the button (8) is pressed, the other trigger mode is switched.

Setting Range

- 2 Trigger
- 4 Trigger
- Method



Press the Trigger



Hold the Trigger Pressed



Release Trigger

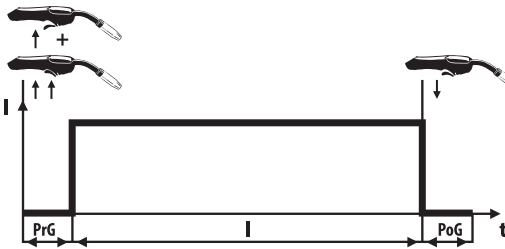
2 TRIGGER MODE : When the torch trigger is pressed, welding starts and the trigger will be held pressed until the welding ends. Releasing the trigger will end the welding.

Welding Start;

- Press and hold the torch trigger.
- Shielding gas flow starts as long as the pre-gas period.
- At the end of the pre-gas period, the wire feed motor runs at a slow speed.
- Welding current increases when the workpiece is reached.

Welding Termination;

- Release the pressed torch trigger.
- The wire feed motor will stop.
- The arc extinguishes after the set burn-back time.
- The process ends after the final gas period.



PrG : Initial Gas Time
 I : Welding Current
 PoG : Final Gas Time

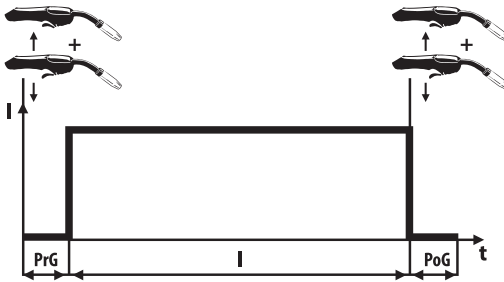
4 TRIGGER MODE : When the torch trigger is pressed and released once, welding starts and there is no need to hold it pressed until the welding ends. Pressing and releasing the trigger again will end the welding process.

Welding Start;

- Press and hold the torch trigger.
- Shielding gas flow starts as long as the pre-gas period.
- At the end of the pre-gas period, the wire feed motor runs at a slow speed.
- Welding current increases when the workpiece is reached.
- Release the pressed torch trigger and the welding will continue.

Welding Termination;

- Release the pressed torch trigger.
- The wire feed motor will stop.
- The arc extinguishes after the set burn-back time.
- The process ends after the final gas period.



PrG : Initial Gas Time
I : Welding Current
PoG : Final Gas Time

METHOD : It is the pnt welding to be mentioned in the mode. The welding continues for the specified welding period and ends at the end of the period. No welding will be performed if as long as the defined void period. This period will continue as long as the trigger is not released.

Welding Time : 0.2-9.9 and void time : It is between 0.0 and 9.9 seconds.

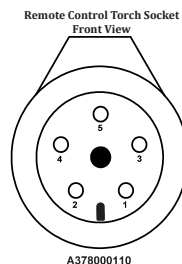
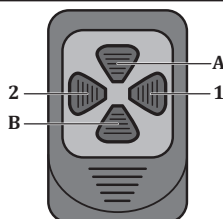


It should be preferred when the same welding seam and penetration are desired every time. The lengths of the welds made in Method mode will be equal.

3.3 Remote Control

With a torch with suitable properties and a connector, you can also change your welding current (wire speed) / welding voltage through the torch without going near your machine. Connect the remote control torch socket. Socket connections are as follows :

TORCH CONTROL - BROWN	_____	A378000110 - 1
TORCH CONTROL - BLACK	_____	A378000110 - 2
TORCH CONTROL - RED	_____	A378000110 - 4
TORCH CONTROL - WHITE	_____	A378000110 - 5
TORCH CONTROL - GREEN	_____	A378000110 - 3

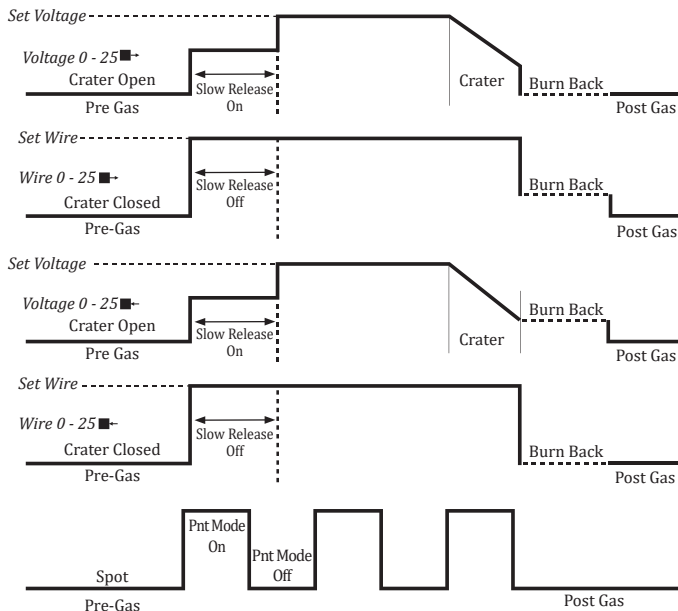


Mode	Button	Position
Classic Mode	1	You can reduce your wire speed to the minimum tolerance value (-10%). Setting Range : 0.5 m/min
	2	You can increase your wire speed up to the maximum tolerance value (+10%). Setting Range : 0.5 m/min
	A	You can increase your welding voltage up to the maximum tolerance value (+10%). Setting Range : 0.5 V
	B	You can reduce your welding voltage up to the minimum tolerance value (-10%). Setting Range : 0.5 V
Smart Mode	1	You can reduce your welding current to the minimum tolerance value (-10%). Setting Range : 5 A
	2	You can increase your welding current up to the maximum tolerance value (+10%). Setting Range : 5 A
	A	You can increase your welding voltage up to the maximum tolerance value (+ 10%). Setting Range : 0.5 V
	B	You can reduce your welding voltage to the minimum tolerance value (-10%). Setting Range : 0.5 V
Synergic Mode	1	You can reduce your welding current to the minimum tolerance value (-10%). Setting Range : 5 A
	2	You can increase your welding current up to the maximum tolerance value (+10%). Setting Range : 5 A
	A	You can increase your welding voltage up to the maximum tolerance value (+10%). Setting Range : 0.5 V
	B	You can reduce your welding voltage to the minimum tolerance value (-10%). Setting Range : 0.5 V

3.4 Arc Length Adjustment (ArC)

When you press and hold the adjustment pot (5) for 3 seconds, the arc length function will be active. The factory setting is 0.0. You can change the arc length adjustment in the range of + 7 / -7 by turning the same pot to the right or left. As it goes towards +7, the wire approaches the nozzle, the arc length increases. As it goes towards -7, the wire approaches the welding metal and the arc length decreases. After the desired setting is made, the setting is exited by pressing the same pot.

3.5 MIG Curve



Parameter	Value Range	Factory Setting	2- Position MIG	4- Position MIG
Pre-Gas	0,0 - 9,9 sec	0,1 sec	✓	✓
Post Gas	0,0 - 9,9 sec	0,1 sec	✓	✓
Burn Back	25 - 0 - 25	0 step	✓	✓
Arc On Time	0,2 - 9,9 sec	0,2 sec	✓	✓
Arc Off Time	0,0 - 9,9 sec	0,0 sec	✓	✓
Wire Diameter	0,6 - 2,4 mm	1,0 mm	✓	✓
Thickness	0,6 - 20,0 mm	1,0 mm	✓	✓
Gas Type	CO ₂ , Ar/5-10 CO ₂ , Ar/15-25 CO ₂ , Ar/2.5 CO ₂ , Ar/10-15 CO ₂ , Argon			
Wire Type	Steel, AlMg, FCW, AlSi, FCW-M, CuSi, CrNi, CuAl			
Crater	Active / Passive	Passive	✓	✓
Mode	Synergic / Smart / Classic			
Trigger	Method / 2 / 4	2	✓	✓
Method	MIG/MAG - MMA - LIFT TIG	MIG / MAG		

3.6 Connection to Mains



Depending on the selected Mode, welding set current adjustment will be done with the help of the pot. The setting will be performed by turning the pot left or right.

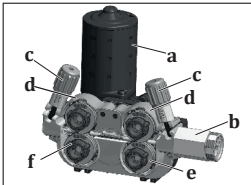


Connect the poles according to the type of the welding process.

- Start the machine with the on/off switch.
- Turn the machine off by turning the on / off switch back to off after hearing the fan noise and seeing the mains lamp is illuminated.

3.7 Selection and Replacement of Wire Feed Rollers

- When you open the cover of the wire feeding section, you can adjust the free gas and wire with the button on the side. You will see the four-roller wire feeding system with an encoder structure. Thanks to its 4 WD system structure, the wire is mechanically driven with the power applied to the four rollers. Even in negativities such as motor heating and increased friction, the wire feed speed will not change, provides excellent arc stability. As soon as the machine is energized, the led inside of the compartment will be active which will make it easier to replace the roller.



- a- Motor
- b- Euro Connector
- c- Pressure Adjustment Screw
- d- Top Wire Feed Rollers
- e- Bottom Wire Feed Reels
- f- Wire Feed Rollers Locking Mechanism

Figure 4 : Wire Feed System

- Use wire feed rollers suitable for the material and diameter of the welding wire you will use. Use V-grooved wire feed rollers for steel and stainless steel, V-grooves type for cored wires and U-grooves type for aluminum.
- If you need to replace the wire feed rollers, pull the pressure adjustment screw toward your side and after lifting the roller covers, remove the existing rollers.



- You must unlock the rollers before you can remove them.
- By reverse-turning the locking direction, the cavities inside the wire feed roller must be overlapped with the protrusions on the wire feed body in order to unlock the lock.



- Both sides of the rollers are marked according to the wire diameter used. Place the rollers on the flange so that the wire diameter value you will use will be on the side facing your side.

- Place the roller to be used so that the cavities inside the wire feed roller overlap the protrusions on the wire feed body. Turn to the right or left to ensure that the locking sound is heard and that the wire feed rollers are in place. Then lower the pressure rollers and lift the pressure roll lever to lock it onto the pressure roller.

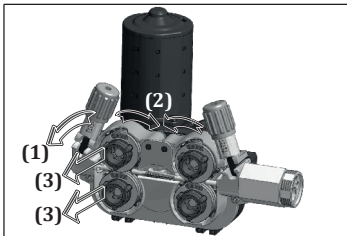


Figure 5 : Wire Feed Roller Removal

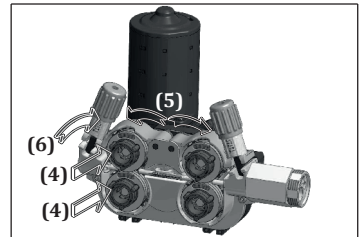
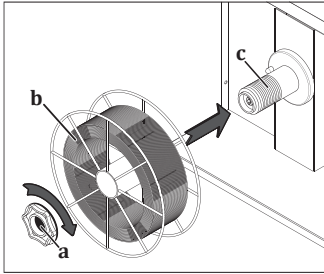


Figure 6 : Wire Feed Roller Placement

3.8 Placing The Wire Spool And Wire Feeding Process

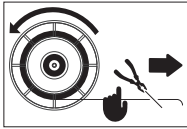
- Unscrew the screw of the wire transport system by turning it. Slide the welding wire roller onto the wire carrier system shaft and re-tighten the screw.



Tightening the screw of the wire transport system prevents the wire from being fed and may cause failures. If the screw has not been tightened adequately this can cause the wire spool to empty after a period of time when the wire feed has stopped. For this reason, do not connect the screw too tightly or too loosely.

Figure 7 : Placement of Wire Spool

- Pull and lower the pressure screw on the wire feed roller, which means bring the pressure rollers to idle position.



- Find and open the welding wire end from the wire spool and cut off the end with a side chisel.



If the end of the wire is missed, the wire can jump like a spring and damage you and others.

- Pass the wire through the wire entry slot without releasing the wire into the rollers and into the torch through the rollers.

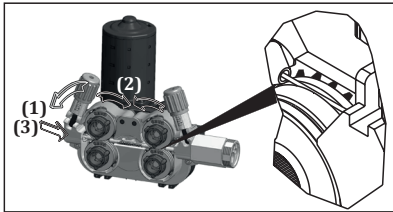
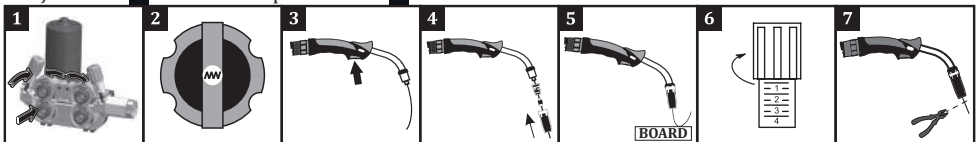


Figure 8 : Feeding the Wire to Rollers

- Pull the pressure adjustment screws towards you and release the pressure on the rollers **1**.
- Turn the on/off switch to position "1" to start the machine **2**.
- Remove the nozzle and the contact nozzle and press the trigger until the wire comes out from the tip of the torch, while observing that the welding wire roller rotates freely then push and release the trigger a few times to check for any loosening of the winding **3**.
- Re-attach the nozzle and contact nozzle to the torch when the wire comes out from the tip of the torch **4**.
- Drive the wire on a non-insulating material **5** such as wood and make the appropriate wire pressure adjustment **6** and cut the tip of the wire **7**.





The following effects will occur if the pressure adjustment screw is overtightened, left loose or if the wrong wire feed roller is used.

- A: Suitable wire pressure and conduit dimensions.
- B: The wire is distorted since the pressure lever is too tight.
- C: The roller surface is deteriorated due to excessive pressure on the pressure lever.
- D: The conduit length of the roller is small for the wire used. Wire form is distorted.
- E: The conduit length of the roller is big for the wire used. The wire cannot be transmitted to the welding area.

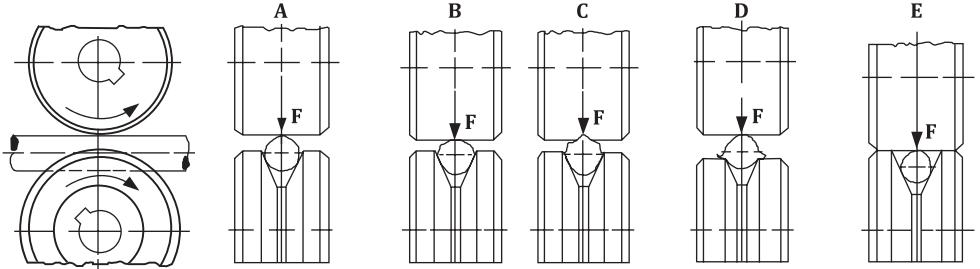


Figure 9 : Pressure Setting and Roller Selection Mistakes

3.9 Adjustment of Gas Flow



Make the gas adjustment and gas test by lifting the wire feed roller pressure lever!

- Adjust the gas flow with the flow control valve.
- Practical gas flow rate (CO₂, Ar, mixture) is 10 times of wire diameter.
For example, if the wire diameter is 0.9 mm, the gas flow rate can be adjusted as 10 x 0.9 = 9 l / min.
- You can use the table on the side for more precise flow adjustment.
- After adjusting the gas flow, lift the thrust bearing arm and close the wire feed unit door.

	Mild Steel and Metal Cored	Flux Cored	Stainless Steel	Aluminium	
Diameter (mm)	0.8	8 lt/min.	7 lt/min.	8 lt/min.	8 lt/min.
0.9	9 lt/min.	8 lt/min.	9 lt/min.	9 lt/min.	
1.0	10 lt/min.	9 lt/min.	10 lt/min.	10 lt/min.	
1.2	12 lt/min.	11 lt/min.	12 lt/min.	12 lt/min.	

3.10 Machine Features

CC / CV Construction

- Allows MIG, MMA and TIG welding.

Memory

- There are 3 job memories that can be saved.

Variety of Usage Functions

- It provides a user-friendly operation with its classic, smart and synergistic MIG / MAG modes.

Soft Start

- Prevents the formation of knocked and jerky start by increasing the wire speed gradually.

Smart Performance

- Thanks to the intelligent performance control, the welding parameters of the machine are continuously monitored and analyzed.
- If compulsory conditions occur, the machine switches to the protection mode in order to extend its life and protect itself against malfunctions.
- This protection is indicated by a thermal led warning on the machine panel.
- The machine is reactivated after 2 minutes of safe time.

Smart Fan

- The internal temperature of the machine is continuously measured. The cooling fan speed is increased or decreased according to the measured temperature. When the temperature is below a certain degree, the phase will be stopped completely. The amount of dust entering the machine is reduced by this function. As the machine life is prolonged, energy will be saved. The fan provides continuous cooling performance during welding.

Current/Voltage Control over the Torch

- With the control connection option, you can also change your welding current / welding voltage through the torch without going near your machine.

Robot Compatibility

- Provides ease of use with its robot compatible structure.

Magnet Compatibility

- Source and media information is stored in real time form thanks to its magNET-ready structure. Some values can be read on the LCD panel on the machine front, while other information (Original Equipment Activity-OEE, Welding Parameters-WR, Quality, etc.) can be stored and monitored or reported on the magNET platform. (Optional)

Operation with generators

- Suitable for operation with generators. The kVA operating value should be determined by referring to the technical specifications.

Protection

- Protected against missing or incorrect phase.

Voltage Protection

- If the mains voltage is too high or too low, the machine automatically protects itself by giving an error code on the display. By this means, no damage is caused to the machine components and long life of the machine is ensured. After the ambient conditions have returned to normal, the machine functions will also be activated.

3.11 Consumption Values

The tables below show average consumption values during welding under ideal conditions. These values may vary depending on usage and ambient conditions.

Average Wire Electrode Consumption During MIG/MAG Welding

Average Wire Electrode Consumption At A Wire Speed Of 5 m/min.

	1 mm Wire Diameter	1,2 mm Wire Diameter	1,6 mm Wire Diameter
Steel Wire Electrode	1,5 (kg/hour)	2,4 (kg/hour)	4,5 (kg/hour)
Aluminium Wire Electrode	0,55 (kg/hour)	0,8 (kg/hour)	1,4 (kg/hour)
CrNi Wire Electrode	1,7 (kg/hour)	2,6 (kg/hour)	4,5 (kg/hour)

Average Wire Electrode Consumption At A Wire Speed Of 10 m/min.

	1 mm Wire Diameter	1,2 mm Wire Diameter	1,6 mm Wire Diameter
Steel Wire Electrode	3,5 (kg/hour)	4,95 (kg/hour)	9,3 (kg/hour)
Aluminium Wire Electrode	1,25 (kg/hour)	1,73 (kg/hour)	3,15 (kg/hour)
CrNi Wire Electrode	3,65 (kg/hour)	5,2 (kg/hour)	9,4 (kg/hour)

Average Shielding Gas Consumption During MIG/MAG Welding

Wire Diameter	0.8 mm	1.0 mm	1.2 mm	1.6 mm	2 mm
Average Consumption	8 l/min.	10 l/min.	12 l/min.	16 l/min.	20 l/min.



MAINTENANCE AND SERVICE

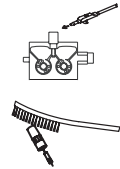
- Maintenance and repairs to the machine must be carried out by qualified persons. Magmaweld is not responsible for accidents that may occur as a result of interventions by unauthorized persons.
- You can obtain the parts to be used in the repairs from our authorized services. The use of original spare parts will extend the life of your machine and prevent performance losses.
- Always contact Magmaweld or an authorized service specified by Magmaweld.
- All warranty provisions will become void due to any interference not authorized by Magmaweld within the warranty period.
- Make sure you comply with the applicable safety rules during maintenance and repair works.
- Disconnect the machine's plugs from the mains before carrying out any repairs and wait for 10 seconds for the capacitors to discharge.

4.1 Maintenance



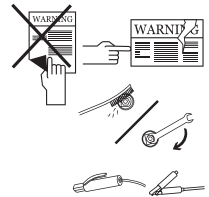
Daily Maintenance

- Wire Feeding Mechanism should be kept clean and roller surfaces should never be oiled. Always clean the residues accumulated on the mechanism with the help of dry air at each welding wire change.
- Consumables on the torch should be cleaned regularly. If necessary, it should be replaced. Make sure that these materials are original products for long-term use.



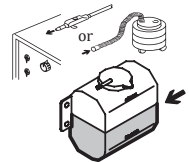
Every 3 Months

- Do not remove the warning labels on the device. Replace worn/torn labels with new ones. You can obtain the labels from the authorized service.
- Check your pliers and cables. Pay attention to the connections and strength of the parts.
- Replace damaged / defective parts with new ones. Never add/repair cables.
- Make sure there is enough space for ventilation. Consumables on the optional TIG torch should be cleaned regularly. If necessary, it should be replaced. Care should be taken to ensure that these materials are original products for long-term use.



Every 6 Months

- Clean and tighten the connecting parts such as bolts and nuts. Check the electrode clamp and earth clamp cables. Open the side covers of the machine and clean it with low pressure dry air. Do not apply compressed air from close distance to electronic components.
- Periodically renew the water in the tank of the water cooling unit with clean, non-hard water and protect it with antifreeze against freezing.



NOTE: The above mentioned periods are the maximum ones that should be applied if no problems are encountered in your device. Depending on the work load and contamination of your work environment, you can repeat the above processes more frequently.



Never operate the machine when covers are open.

4.2 Troubleshooting

The following tables contain possible errors to be encountered and their solutions.

Failure	Reason	Solution
Machine is not operating	<ul style="list-style-type: none"> The machine is not connected to the mains, or the plug is not connected 	<ul style="list-style-type: none"> Make sure that the machine is plugged in
	<ul style="list-style-type: none"> The mains connections are not correct 	<ul style="list-style-type: none"> Check whether the mains connections are correct
	<ul style="list-style-type: none"> The power supply fuses, mains cable or plug are problematic 	<ul style="list-style-type: none"> Check the power supply fuses, mains cable and plug
	<ul style="list-style-type: none"> The fuse has blown 	<ul style="list-style-type: none"> Check the fuse
	<ul style="list-style-type: none"> Contactor failure 	<ul style="list-style-type: none"> Check the contactor
Wire feed motor failure	<ul style="list-style-type: none"> The fuse has blown 	<ul style="list-style-type: none"> Check the fuse
	<ul style="list-style-type: none"> Electronic card failure 	<ul style="list-style-type: none"> Contact the authorized service
The wire feed motor is operating, but the wire is not moving further	<ul style="list-style-type: none"> Wire feed rollers were not chosen to fit the wire diameter 	<ul style="list-style-type: none"> Select the appropriate wire feed roller
	<ul style="list-style-type: none"> The pressure on the wire feed rollers is too minimal 	<ul style="list-style-type: none"> Adjust the pressure roller
Welding quality is not good	<ul style="list-style-type: none"> There is a problem in the connection of grounding clamps of the machine 	<ul style="list-style-type: none"> Make sure that the grounding clamps of the machine is connected to the workpiece
	<ul style="list-style-type: none"> Cables and connection points are worn out 	<ul style="list-style-type: none"> Make sure that the cables are secure and that the connection points are not worn
	<ul style="list-style-type: none"> Parameter and process selection are not correct 	<ul style="list-style-type: none"> Make sure that the parameter and process selection are correct. Follow the steps below according to the process you have selected
	<ul style="list-style-type: none"> Gas flow is not open or faulty 	<ul style="list-style-type: none"> Check that the gas flow is open, ensuring that the flow is correct
	<ul style="list-style-type: none"> Welding torch is damaged 	<ul style="list-style-type: none"> Make sure the welding torch is secure
	<ul style="list-style-type: none"> Consumables were selected incorrectly or damaged 	<ul style="list-style-type: none"> Appropriate consumables should be selected and the consumables on the torch must be cleaned regularly. Improperly selected or worn consumables should be replaced
	<ul style="list-style-type: none"> The pressure adjustment of the rollers is not correct 	<ul style="list-style-type: none"> Pressure roller settings must be made correctly

EN

Failure	Reason	Solution
Fan is not operating	• The fuse has blown	• Check the fuse
	• Fan motor failure	• Contact the authorized service
Machine operates noisily	• Contactor failure	• Contact the authorized service
Unstable and / or non-adjustable welding current	• Diode group failure	• Contact the authorized service
Heater outlet is not operating	• The fuse has blown	• Check the fuse. Contact the authorized service
The value 0000 / NOP will be displayed on the screen	• The welding parameters have not been selected appropriately	• All parameters such as wire type, gas type, etc. must be selected according to your welding method

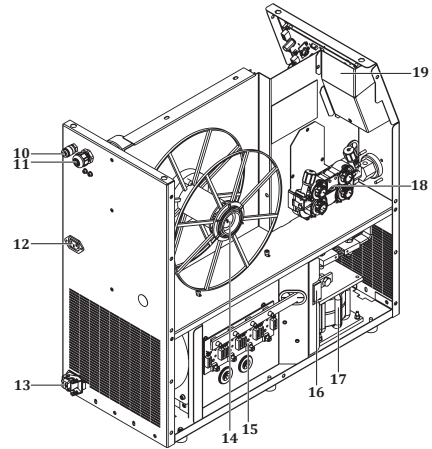
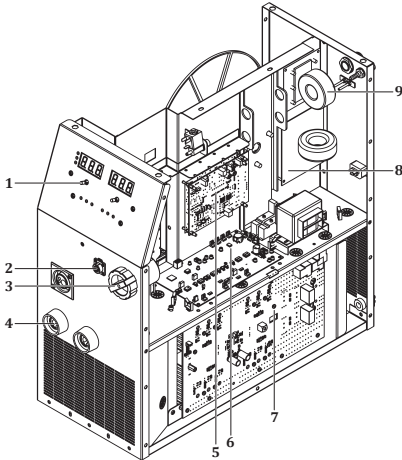
4.3 Error Codes

EN

Error Code	Error	Cause	Solution
E01	Communication Error	<ul style="list-style-type: none"> • There may be problems at different points in the machine 	<ul style="list-style-type: none"> • Contact the authorized service
E02	Thermal Protection	<ul style="list-style-type: none"> • The machine's run time rate may have been exceeded 	<ul style="list-style-type: none"> • Wait for a while to allow the machine to cool down. If the failure disappears, try to run the machine at lower amperage values
		<ul style="list-style-type: none"> • Fan may not be operating 	<ul style="list-style-type: none"> • Visually inspect the fan for proper operation. Please contact the authorized service if it does not operate
		<ul style="list-style-type: none"> • The air inlet and outlet ducts may have been blocked • The machine operating environment can be extremely hot or lack of air 	<ul style="list-style-type: none"> • Open the air ducts • Ensure that the machine is placed in an area where it can work operate comfortably
E03	Overcurrent Failure	<ul style="list-style-type: none"> • The machine may have been overloaded 	<ul style="list-style-type: none"> • Contact the authorized service
		<ul style="list-style-type: none"> • There may be problems at different points in the machine 	<ul style="list-style-type: none"> • Contact the authorized service
E04	Low mains voltage	<ul style="list-style-type: none"> • Mains voltage may have decreased 	<ul style="list-style-type: none"> • Check the mains connection cables and voltage. Make sure that the correct voltage input is provided. If the mains voltage is normal, contact the authorized service
E05	Temperature Sensor Reading Failure	<ul style="list-style-type: none"> • Temperature sensor may have failed or there may be an electrical connection problem 	<ul style="list-style-type: none"> • Contact the authorized service
E06	High mains voltage	<ul style="list-style-type: none"> • Mains voltage may have increased 	<ul style="list-style-type: none"> • Check the mains connection cables and voltage. Make sure that the correct voltage input is provided. If the mains voltage is normal, contact the authorized service

5.1 Spare Parts Lists

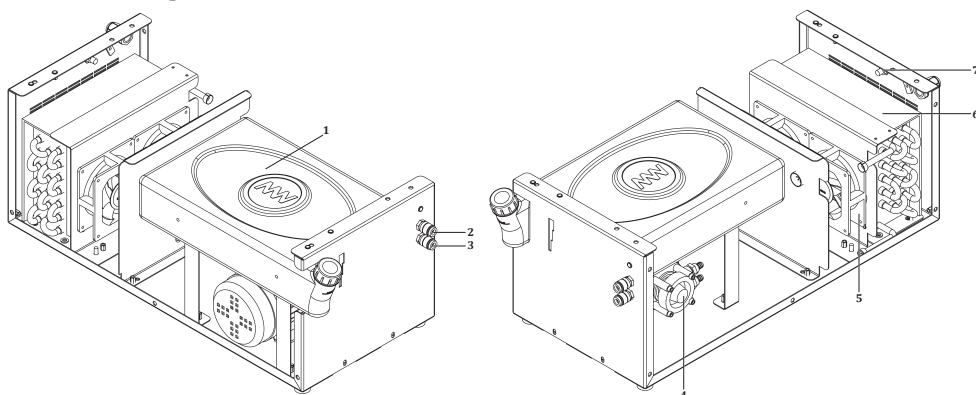
Power Source



NO	DEFINITION	MATERIAL CODE
1	Potency Button	A229500001
2	Connector	A378000103
3	Switch Button	A308900004
4	Welding Socket	A377900106
5	Electronic Card E121A-2	K405000230
6	Electronic Card E206A-CNT3P	K405000324
7	Electronic Card E206A-1	K405000253
8	Electronic Card E202A-FLT4	K405000254
9	Electronic Card Rs Filter	K405000262
10	Gas Valve Sleeve	A256000609
11	Plastic Sleeve	A376400016
12	Power Connector	A378000050
13	Connector	A378002002
14	Wire Carrier Roller System 3-way Connection	A229900003
15	Electronic Card E202A-4A	K405000255
16	Electronic Card E121A-2	K405000230
17	Choke Coil	A421050002
18	Wire Feeding System	K309002213
19	Electronic Card E309A-3A	K405000312
	Electronic Card E309A-3B	K405000313

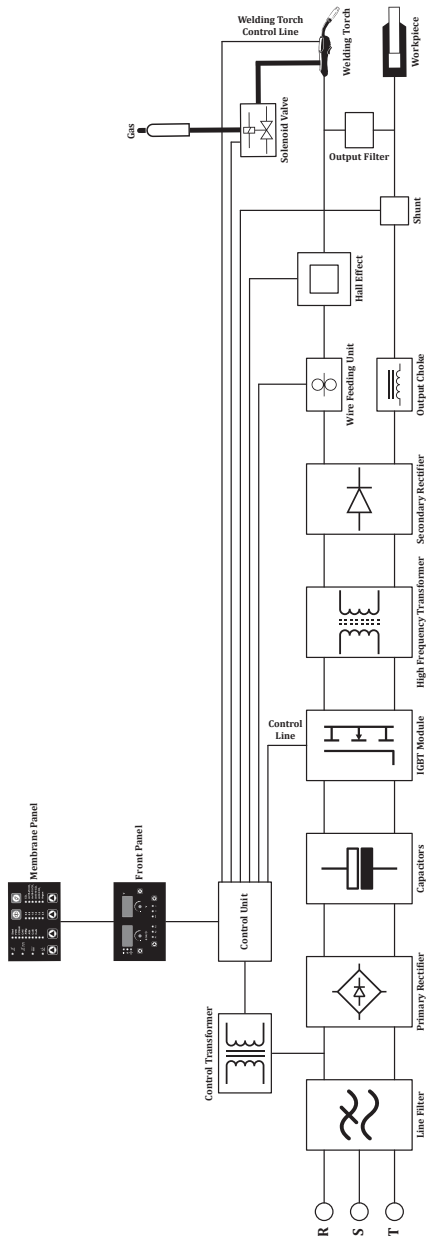
Water Cooling Unit

EN

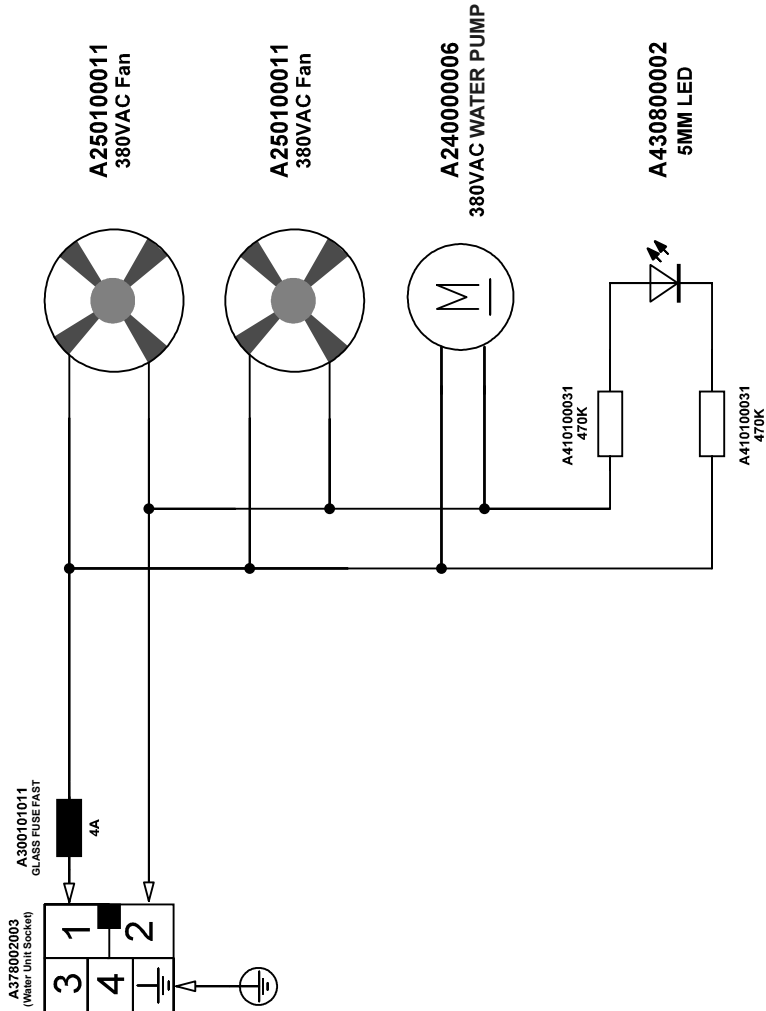


NO	DEFINITION	MATERIAL CODE
1	Water Tank	A249000005
2	Quick Coupling Red	A245700003
3	Quick Coupling Blue	A245700002
4	Water Pump	A240000006
5	Fan	A250001126
6	Radiator	A260000010
7	Glass Fuse Holder	A300190001
8	Glass Fuse Fast	A300101011

5.2 Block Diagram



5.3 Water Unit Circuit Diagram



PRODUCT INFORMATION**Model****Serial Number****MANUFACTURER****Name**

MAGMA MEKATRONİK MAKİNE SANAYİ VE TİCARET A.Ş.

Address

Organize Sanayi Bölgesi 5. Kısım MANİSA

Phone / E-mail

+90 236 226 27 00 / info@magmaweld.com

PURCHASE INFORMATION**Dealer Name****City / Country****Phone / E-mail****Purchase Date****CUSTOMER INFORMATION****Company Name****City / Country****Phone / E-mail****Contact Name****SERVICE INFORMATION (if applicable)****Company Name****Technician's Name****Commissioning Date**
(Warranty Start Date)

Please visit our web site www.magmaweld.com/warranty-terms/wt for warranty terms.


SOMMAIRE

	CONSIGNES DE SÉCURITÉ	46
1	SPÉCIFICATIONS TECHNIQUES	
1.1	Explications Générales	52
1.2	Composants de la Machine	52
1.3	Étiquette du Produit	54
1.4	Caractéristiques Techniques	56
1.5	Accessoires	56
2	INSTALLATION	
2.1	Considérations Relatives à la Réception de la Machine	57
2.2	Conseils d'Installation et de Fonctionnement	57
2.3	Branchements pour le Poste de Soudage	58
2.3.1	Branchements Électriques	58
2.3.2	Connexion de la Pince de Masse à la Pièce à Travailler	58
2.3.3	Connexion de la Bouteille de Gaz	58
2.3.4	Unité de Refroidissement par Eau	59
3	UTILISATION	
3.1	Interface Utilisateur	60
3.2	Structure du Menu	62
3.3	Contrôle à Distance	68
3.4	Réglage de la Longueur de l'Arc (ArC)	69
3.5	Courbe de Soudage MIG	69
3.6	Branchement au Réseau	70
3.7	Choix et Remplacement des Galets de Dévidage	70
3.8	Installation de la Bobine de Fil et Dévidage	71
3.9	Ajustement du Débit de Gaz	72
3.10	Caractéristiques de la Machine	73
3.11	Valeurs de Consommation	74
4	MAINTENANCE ET DÉFAILLANCES	
4.1	Maintenance	75
4.2	Dépannage	76
4.3	Codes d'incident	78
5	ANNEXE	
5.1	Listes des Pièces Détachées	79
5.2	Diagramme	81
5.3	Schéma du circuit de l'unité d'eau	82

✓ CONSIGNES DE SÉCURITÉ

Respectez toutes les consignes de sécurité du manuel!

Informations sur la Sécurité



- Les pictogrammes de sécurité utilisés dans le présent manuel sont destinés à identifier les dangers potentiels.
- Si un pictogramme de sécurité apparaît dans le présent manuel, cela signifie qu'il existe un risque de blessure et que les dangers éventuels doivent être écartés en lisant attentivement les explications fournies.
- Le propriétaire de la machine est responsable d'empêcher les personnes non autorisées d'accéder à l'équipement.
- Toute personne appelée à travailler avec cette machine doit posséder l'expérience en soudage / coupage ou avoir terminé avec succès la formation requise, lire le présent manuel d'utilisation avant de travailler et se conformer à tout moment aux consignes de sécurité.

Pictogrammes de Sécurité



ATTENTION

Indique une situation potentiellement dangereuse qui pourrait causer des blessures ou des dommages. Le fait de ne pas prendre de précautions peut causer des blessures ou des pertes ou dommages matériels.



REMARQUE

Indique des informations et des avertissements concernant l'utilisation de la machine.



DANGER

Indique une situation imminente dangereuse qui, si elle n'est pas évitée, entraînera une blessure grave ou mortelle.

Prise de connaissance des consignes de sécurité



- Veuillez lire attentivement le présent manuel d'utilisation, les étiquettes et les consignes de sécurité se trouvant sur la machine.
- Assurez-vous que les étiquettes d'avertissement sur la machine sont en bon état. Remplacez les étiquettes manquantes ou endommagées.
- Veuillez prendre connaissance des informations concernant l'utilisation et les procédés de vérification de votre machine.
- Utilisez votre machine dans des environnements de travail appropriés.
- Des modifications inappropriées à votre machine peuvent avoir un impact négatif sur la sécurité de fonctionnement et la durée de vie de votre machine.
- Le fabricant ne pourra pas être tenu responsable des conséquences du fonctionnement de l'appareil en dehors des conditions préconisées.

L'électrisation peut entraîner la mort



Veuillez à ce que les procédures d'installation soient conformes aux normes nationales en matière d'électricité et aux autres règlements pertinents. L'installation de la machine doit être effectuée par des personnes autorisées.

- Porter un tablier de travail et des gants de protection secs offrant une bonne isolation. Ne jamais utiliser des gants et des tabliers de travail mouillés ou endommagés.
- Porter des vêtements de protection ignifuges contre le risque de brûlure. Les vêtements utilisés par l'opérateur doivent être protégés contre les étincelles, les projections et le rayonnement d'arc.
- Ne travaillez pas seul. Soyez sûr d'avoir quelqu'un qui peut vous aider en cas de danger dans votre lieu de travail.
- Ne touchez pas l'électrode avec la main nue. Ne laissez pas être en contact la pince d'électrode ou l'électrode avec quelqu'un ou avec un objet alimentaire.
- Ne touchez aucun composant électrique.
- Ne touchez pas l'électrode si vous êtes en contact avec l'électrode reliée à la surface de travail, au plancher ou à une autre machine.
- Vous pouvez vous protéger d'une électrisation potentielle en vous isolant de la surface de travail et du sol. Utilisez un matériau isolant non inflammable, électriquement isolant, sec et non endommagé, suffisamment grand pour couper le contact de l'opérateur avec la surface de travail.
- Ne connectez pas plus d'une électrode au porte-électrode.
- Placez bien la pince de masse métal-sur-métal sur votre objet de travail ou sur la table à souder.

- Vérifiez la torche avant d'utiliser la machine. Assurez-vous que la torche et ses câbles sont en bon état. Assurez-vous de remplacer une torche endommagée ou usée.
- Ne pas laisser toucher les deux pinces de masse connectés à deux différents postes. Ceci est dangereux vu qu'il y aura deux tensions en circuit ouvert.
- Gardez le poste éteint et déconnecter les câbles de soudage quand vous vous ne travaillez pas.
- Avant de réparer la machine, retirez toutes les connexions d'alimentation et / ou les connecteurs ou éteignez la machine.
- Soyez prudent lorsque vous utilisez un long câble secteur.
- Soyez sûr que toutes les connexions sont bien serrées, propres et seches.
- Soyez sûr que les câbles sont secs, sans graisses et protégés du métal chaud et des étincelles.
- Fil dénudé peut tuer. Contrôler fréquemment vos câbles de soudage. S'il y a des câbles endommagés ou non isolés, réparer ou échanger immédiatement les câbles.
- Isoler le câble de masse quand il n'est pas connecté à un objet de travail.
- Assurez-vous que la mise à la terre de la ligne d'alimentation est correctement connectée.
- N'utilisez pas le courant alternatif (AC) dans des endroits humides, mouillés ou confinés. Eviter également les endroits où il y aura un risque de chute.
- Le courant alternatif doit être utilisé uniquement s'il est nécessaire pour le procès de soudage.
- Si le courant alternatif est obligatoire pour votre travail, utilisez (si existe) votre télécommande pour régler votre poste.

Les précautions additionnelles sont nécessaires si une des conditions hasardeuses ci-dessous existe :

- Dans des endroits humides ou si vos habilles sont mouillés,
- Sur les structures métalliques comme les escaliers, les grilles ou les échafauds,
- Dans des positions comme assises, à genoux ou allongées,
- Quand il ya un grand risque d'accident ou d'un contact inévitable avec l'objet de travail ou la masse.

Pour les conditions mentionnées ci-dessus, utilisez les équipements ci-dessous dans l'ordre de présentation :

- Un poste MIG semi-automatique en courant continu (DC),
- Un poste à souder MMA en courant continu (DC),
- Un poste en courant continue ou alternatif avec la tension réduit à circuit ouvert (VRD).

Procédures à suivre en cas de l'électrocution



- Arrêtez le courant électrique.
- Utilisez des matériaux non conductibles comme le bois sec pour couper le contact de la victime avec les câbles ou les endroits alimentés.
- Appelez les services de secours.

Si vous avez suivi une formation aux premiers secours ;

- Si la victime ne respire plus, après avoir coupé le contact de la victime avec le courant, effectuez immédiatement la réanimation cardiorespiratoire (RCP). Continuez la RCP jusqu'au moment où la victime respire de nouveau ou les secours arrivent,
- Utilisez un défibrillateur automatique (DEA) selon les instructions indiquées dessus.
- Traiter une brûlure électrique comme une brûlure thermique. Appliquez des compresses stériles et froides.

Les pièces mobiles peuvent causer des blessures



- Éloignez-vous des objets en mouvement.
- Gardez tous les capots de protection tels que les portes, les panneaux, les portes des machines et des appareils fermés et verrouillés.
- Portez des chaussures à coque métallique à protection contre le risque de chute d'objets lourds.

La fumée et les gaz peuvent être nocifs pour votre santé



L'inhalation prolongée de la fumée et du gaz générés par le soudage / coupage et le découpage est très nocive pour la santé.

- La sensation de brûlure et l'irritation au niveau des yeux, des muqueuses nasales et des voies respiratoires sont des symptômes d'une ventilation inadéquate. Dans ce cas, veuillez augmenter immédiatement le niveau de ventilation de la zone de travail et arrêter le processus de soudage / coupage si le problème persiste.
- Créez un système d'aération naturelle ou artificielle dans la zone de travail.
- Utilisez un système d'absorption de fumée approprié à l'endroit où le soudage / coupage et le découpage sont effectués. Si nécessaire, installez un système adéquat pour éliminer les fumées et les gaz accumulés dans l'ensemble de l'atelier. Utilisez un système de filtration approprié pour éviter de polluer l'environnement lors du rejet.
- Si vous travaillez dans des espaces étroits ou confinés, ou que vous soudez du plomb, du béryllium, du cadmium, du zinc, des matériaux revêtus ou peints, utilisez une protection respiratoire autonome en plus des précautions susmentionnées.

- Si les bouteilles de gaz sont groupées dans une zone séparée, assurez-y une bonne ventilation, gardez les soupapes principales fermées lorsque les bouteilles de gaz ne sont pas utilisées, et surveillez les fuites de gaz éventuelles.
- Les gaz protecteurs tels que l'argon étant plus denses que l'air, ils peuvent être inhalés à la place de l'air s'ils sont utilisés à l'intérieur. Cela présente également un risque pour votre santé.
- Ne soudage / coupage pas dans des environnements contenant des vapeurs d'hydrocarbures chlorés libérées lors de la lubrification ou de la coloration.
- Certaines pièces soudées / coupées nécessitent une ventilation spéciale. Aération spéciale Les règles de sécurité des produits qui le nécessitent doivent être lues attentivement. Le masque à gaz doit être porté Dans de tels cas, un masque à gaz approprié doit être porté.

La lumière émise par l'arc peut endommager vos yeux et votre peau



- Pour protéger vos yeux et votre visage, utilisez un masque et un écran de protection en verre appropriés (4 à 13 selon la norme EN 379).
- Protégez les autres parties nues de votre corps (bras, cou, oreilles, etc.) contre ces rayons à l'aide des vêtements de protection adéquats.
- Munissez votre plan de travail d'écrans anti-flammes au niveau des yeux et accrochez des panneaux d'avertissement afin que les gens autour de vous ne soient pas exposés aux rayons de l'arc et métaux chauds.
- Cette machine n'est pas destinée à chauffer des tuyaux gelés. Ce procédé provoquera une explosion, un incendie ou des dommages à votre installation.

Les étincelles et les protections de pièces peuvent blesser vos yeux



- Les procédés tels que le soudage / coupage, le meulage, le brossage de la surface peuvent générer des étincelles et des projections de particules métalliques. Portez des lunettes de protection homologuées munies de bordures de protection sous le masque de soudeur afin de prévenir les blessures éventuelles.

Les surfaces chaudes peuvent causer de brûlures graves



- Ne touchez pas les pièces chaudes à mains nues.
- Avant d'intervenir sur les pièces de la machine, attendez un certain temps pour les laisser refroidir.
- Si vous devez manipuler les pièces chaudes, portez des outils appropriés, gants de soudage / coupage à isolation thermique et vêtements résistant au feu.

Le bruit peut altérer votre capacité d'ouïe



- Le bruit créé par certains équipements et processus peut altérer l'ouïe.
- Si le niveau de bruit est élevé, portez des protège-oreilles agréés.

Le fil de soudage peut causer des blessures



- Ne maintenez pas la torche contre une partie du corps, d'autres personnes ou tout autre métal lors du dévidage du fil de soudage.
- Lors de l'ouverture manuelle du fil de soudage à partir de la bobine - en particulier pour les diamètres minces - le fil peut être éjecté de votre main comme un ressort, ce qui pourrait vous blesser ou blesser des tiers, protégez particulièrement vos yeux et votre visage lors de cette manipulation.

Le procédé de soudage / coupage peut entraîner des incendies et des explosions



- Ne jamais souder à proximité de matériaux inflammables. Un incendie ou des explosions peuvent se produire.
- Enlevez ces matériaux de l'environnement avant de commencer à soudage / coupage ou couvrez-les avec des couvertures protectrices pour éviter les brûlures.
- Les règles nationales et internationales spécifiques s'appliquent dans ces domaines.

- Ne procédez à aucune opération de soudage / coupage e ni de découpage sur des tubes ou des tuyaux entièrement fermés.
- Avant de soudage / coupage des tubes et des contenants fermés, ouvrez-les, videz-les complètement, ventilez-les et nettoyez-les. Prenez toutes les précautions nécessaires lors d'un soudage / coupage dans ces types d'endroits.
- Ne soudez pas les tubes ou les tuyaux destinés aux substances susceptibles de provoquer une explosion, un incendie ou d'autres réactions, même s'ils sont vides.
- L'équipement de soudage / coupage chauffe. Par conséquent, ne le placez pas sur des surfaces qui peuvent facilement être brûlées ou endommagées !

- Les étincelles générées lors du soudage peuvent provoquer un incendie. Par conséquent, gardez un extincteur, de l'eau, du sable et autres matériaux à portée de la main.
- Utilisez des clapets anti-retour, régulateurs de gaz et vannes sur les circuits de gaz inflammables, explosifs et pressurisés. Assurez-vous de leurs vérifications périodiques soient effectuées et qu'elles fonctionnent correctement.

La maintenance des machines et appareils par des personnes non autorisées peut causer des blessures



- Les équipements électriques ne doivent pas être réparés par des personnes non autorisées. Les erreurs éventuelles peuvent entraîner des blessures graves, voire mortelles, lors de l'utilisation.
- Les éléments du circuit de gaz fonctionnent sous pression; l'intervention de personnes non autorisées peut causer des explosions et des blessures graves pour les utilisateurs.
- Il est recommandé d'effectuer la maintenance technique de la machine et de ses unités auxiliaires au moins une fois par an.

Soudage / Coupage dans des endroits confinés



- Effectuez les opérations de soudage / coupage et de découpage dans des espaces confinés et de petits volumes et en compagnie d'une autre personne.
- Évitez autant que possible le soudage / coupage et le découpage dans des endroits fermés.

Le fait de ne pas prendre les précautions nécessaires lors du transport peut causer des accidents



- Prenez toutes les précautions nécessaires pour le transport de la machine. Les zones à transporter; les équipements à utiliser pour le transport et les conditions physiques et la santé de la personne chargée de la manutention doivent être conformes au processus de transport.
- Certaines machines étant extrêmement lourdes, il est important de veiller à ce que les précautions nécessaires en matière de sécurité environnementale soient prises pour la manutention.
- Si la machine de soudage doit être utilisée sur une plateforme, la capacité de charge de la plateforme doit être vérifiée.
- En cas d'utilisation d'un véhicule (chariot, chariot élévateur à fourche, etc.) lors du transport de la machine, assurez-vous que le véhicule et les accessoires d'élingage et d'arrimage (élingues, sangles d'arrimage, boulons, écrous, roues, etc.) reliant la machine au véhicule sont intacts.
- S'il s'agit d'un transport manuel, assurez-vous que les accessoires d'élingage et d'arrimage (élingues, sangles d'arrimage, etc.) et leurs connexions soient bien fixées.
- Afin de garantir les conditions de transport nécessaires, consultez les règles de l'Organisation Internationale du Travail sur le poids du transport et les réglementations en vigueur dans votre pays.
- Utilisez toujours des poignées ou des anneaux pour le déplacement du bloc d'alimentation. Ne tirez jamais sur les torches, les câbles ou les tuyaux. Transportez toujours les bouteilles de gaz séparément.
- Avant de transporter le matériel de soudage / coupage et de découpe, débranchez toutes les connexions intermédiaires, puis soulevez et transportez les petites pièces séparément en les tenant par leurs poignées, et les grandes à l'aide d'un équipement de manutention approprié tel que des anneaux de transport ou des chariots élévateurs.

La chute de pièces peut causer des blessures



Ne pas positionner correctement l'alimentation électrique ou tout autre équipement peut causer des blessures graves et des dommages matériels.

- Installer votre machine sur des sols et des plateformes avec une inclinaison maximale de 10° pour éviter les chutes et les renversements. Préférez les zones immobiles, mais vastes, facilement ventilées et sans poussière, qui ne génèrent pas le flux de matériaux. Disposez les câbles et tuyaux de telle manière que personne ne puisse les piétiner ou trébucher dessus. Pour éviter que les bouteilles de gaz ne se renversent, fixez-les sur la plate-forme pour les machines équipées d'une plate-forme à gaz adaptée à la bouteille et sur le mur à l'aide une chaîne pour les installations fixes afin d'éviter tout basculement.
- Les opérateurs doivent facilement et rapidement accéder aux paramètres de commande et connexions de la machine.

Une utilisation excessive provoque la surchauffe de la machine"



- Laissez la machine refroidir en fonction des cycles de fonctionnement.
- Réduisez le courant ou le taux de cycle de fonctionnement avant de recommencer le soudage.
- Ne bloquez pas les entrées de ventilation de la machine.
- Ne placez pas de filtre sur les entrées de ventilation de la machine sans l'approbation du fabricant.

Le soudage à l'arc peut causer des interférences électromagnétiques



Cet appareil n'est pas conforme à la norme CEI 61000-312. Si vous souhaitez vous connecter au réseau basse tension utilisé dans les maisons, l'installateur ou la personne qui utilisera la machine doit être familiarisé avec la connexion de la machine, dans ce cas la responsabilité appartient à l'opérateur.

- Assurez-vous que la zone d'exploitation soit conforme à la compatibilité électromagnétique (CEM). Les interférences électromagnétiques qui peuvent se produire lors du soudage / coupage ou du découpage peuvent causer des effets indésirables sur vos appareils électroniques et votre secteur. Les effets qui peuvent se produire au cours du processus sont sous la responsabilité de l'opérateur.
- Si des interférences se produisent, des mesures supplémentaires peuvent être prises pour assurer la conformité, telles que l'utilisation de câbles courts, l'utilisation de câbles blindés, le transport de la machine à souder vers un autre endroit, l'enlèvement des câbles du dispositif et/ou de la zone affectée, l'utilisation de filtres, ou la protection CEM de la zone de travail.
- Effectuez les opérations de soudage / coupage le plus loin possible (100 m) de vos appareils électroniques sensibles pour prévenir les dommages CEM potentiels.
- Assurez-vous que votre machine de soudage et de découpe est installée et placée conformément aux consignes d'utilisation.

Conformément à l'article 5.2 de CEI 60974-9 ;

Évaluation de la compatibilité électromagnétique du champ de fonctionnement



Avant d'installer la machine de soudage / coupage et de découpe, le responsable du site et / ou l'opérateur doit vérifier les interférences électromagnétiques éventuelles dans l'environnement. Les conditions suivantes sont à considérer ;

- Autres câbles d'alimentation, câbles de commande, câbles de signalisation et câbles téléphoniques au-dessus, au-dessous et à côté de la machine et du matériel de soudage / coupage,
- Émetteurs et récepteurs de radio et de télévision,
- Matériel informatique et autre matériel de contrôle,
- Équipements de sécurité critiques, par exemple protection de l'équipement industriel,
- Appareils médicaux des personnes à proximité, tels que stimulateurs cardiaques et appareils auditifs,
- Équipement utilisé pour la mesure ou l'étalonnage,
- Immunité des autres équipements dans l'environnement. L'opérateur doit s'assurer que tout autre matériel utilisé dans l'environnement soit compatible. Cela peut nécessiter des mesures de protection supplémentaires,
- Les limites de la zone d'inspection peuvent se varier en fonction du temps pendant lequel le procédé de soudage / coupage ou d'autres activités seront effectués pendant la journée, de la taille de l'environnement, de la structure du bâtiment et d'autres activités.

En plus de l'évaluation des conditions de la zone, l'évaluation de l'installation des appareils peut également être nécessaire pour résoudre l'effet perturbateur. Si nécessaire, des mesures sur site peuvent également être prises pour confirmer l'efficacité des mesures d'atténuation.

(Source: CEI 60974-9)

Moyens pour réduire les interférences



- La machine doit être branchée à un réseau électrique tel que recommandé et par une personne autorisée. En cas d'interférence, des mesures supplémentaires telles que le filtrage du réseau peuvent être mises en place. L'alimentation d'équipement de soudage à l'arc fixe doit être effectuée à partir du tube métallique ou un câble blindé équivalent. Une connexion et un bon contact électrique doivent être assurés entre le blindage et le boîtier de l'alimentation.
- L'entretien de routine recommandé pour la machine doit être effectué. Lors de l'utilisation de la machine, tous les capots de protection doivent être fermés et / ou consignés. Aucun changement ni modification autre que les réglages standards ne doivent être effectués sur la machine sans l'approbation écrite du fabricant. Sinon, l'opérateur sera responsable de toutes les conséquences.
- Les câbles de soudage / coupage doivent être aussi courts que possible. Le cheminement des câbles sur le sol de la zone de travail doit être parallèle. Les câbles de soudage ne doivent en aucun cas être enroulés autour du corps.
- Un champ magnétique se forme dans la machine lors du soudage / coupage. Cela peut amener la machine à tirer les pièces métalliques sur elle-même. Afin d'éviter ce phénomène, assurez-vous que les matériaux métalliques soient à une distance de sécurité et sécurisés. L'opérateur doit être isolé de tous ces matériaux métalliques interconnectés.

- Toutefois, dans certains pays où la connexion directe n'est pas autorisée, la connexion peut être établie à l'aide d'éléments de capacité appropriés, conformément aux réglementations locales en vigueur. Le blindage et la protection d'autres périphériques et câbles dans la zone de travail peuvent prévenir les effets perturbateurs. Le cas échéant, la connexion entre la pièce à usiner et la terre peut être réalisée sous forme de connexion directe. Toutefois, dans certains pays où la connexion directe n'est pas autorisée, la connexion peut être établie à l'aide d'éléments de capacité appropriés, conformément aux réglementations locales en vigueur.
- Le blindage et la protection d'autres périphériques et câbles dans la zone de travail peuvent prévenir des effets perturbateurs. Le blindage de toute la zone de soudage / coupage peut être évalué pour certaines applications spécifiques.

Magnétique électromagnétique (CEM)



Le courant électrique passant par n'importe quel conducteur crée des champs électriques et magnétiques régionaux (CEM). Les opérateurs doivent suivre les procédures suivantes afin de minimiser les risques engendrés par l'exposition aux CEM du circuit de soudage :

- Afin de réduire le champ magnétique, les câbles de soudage / coupage doivent être rassemblés et fixés autant que possible avec des équipements de fixation (ruban, serre-câbles, etc.).
- Le corps et la tête de l'opérateur doivent être tenus aussi loin que possible de la machine à soudage / coupage et des câbles.
- Les câbles électriques et de soudage / coupage ne doivent jamais être enroulés autour du corps du poste à souder.
- Le corps ne doit pas rester entre les fils de soudage / coupage. Les câbles de soudage doivent être tenus à l'écart du qq corps, côte à côte.
- Le câble de retour doit être connecté à la pièce à usiner aussi près que possible de la zone soudage / coupage.
- Ne vous appuyez pas sur le groupe électrogène de soudage, ne vous asseyez pas dessus et ne travaillez pas trop près.
- Le soudage / coupage ne doit pas être effectué pendant le transport de l'unité d'alimentation en fil de soudage / coupage ou du bloc d'alimentation en courant de soudage.

Les CEM peuvent également perturber le fonctionnement des implants médicaux (substance placée à l'intérieur du corps), tels que les stimulateurs cardiaques. Des mesures de protection doivent être prises pour les personnes portant des implants médicaux. Par exemple, l'accès dans la zone du travail pourraient être restreint pour les passants, ou des évaluations individuelles des risques pourraient être effectuées pour les soudeurs. Une évaluation des risques doit être effectuée par un spécialiste médical pour les utilisateurs d'implants médicaux.



- N'exposez pas la machine à la pluie, empêchez les éclaboussures d'eau ou de la vapeur pressurisée d'y pénétrer.

Efficacité Énergétique



- Choisissez la méthode et la machine de soudage / coupage appropriées pour votre soudage.
- Sélectionnez le courant et/ou la tension de soudage / coupage en fonction du matériau et de l'épaisseur auxquels vous soudez.
- Si vous devez attendre longtemps pour le soudage / coupage, éteignez la machine une fois que le ventilateur l'a refroidie. Nos machines (produits) munies d'un système de ventilateur intelligent s'arrêteront automatiquement.

Procédure relative aux déchets



- Cet appareil n'est pas un déchet ménager. Elle doit être déposée dans un centre de recyclage agréé dans le cadre de la directive de l'Union Européenne et du droit national.
- Renseignez-vous auprès de votre revendeur et des personnes autorisées sur la gestion des déchets de votre machine usagée.

FORMULAIRE DE GARANTIE



Pour le formulaire de garantie, visitez notre site web www.magmaweld.fr/formulaire-de-garantie/wr.

SPÉCIFICATIONS TECHNIQUES

1.1 Explications Générales

ID 300 MK / MKW PULSE SMART, ID 400 MK / MKW PULSE SMART est un poste de soudage MIG / MAG à onduleur industriel triphasé avec technologie Pulse, conçu pour les conditions difficiles. Spécialement conçu pour les conditions difficiles, c'est un poste compacte pour un déplacement facile. Il possède d'excellentes caractéristiques de soudage avec tous les fils pleins et fourrés. L'alimentation CC/CV vous permet de réunir les trois procédés de soudage MIG, TIG, MMA et de découper le carbone avec un seul poste. Grâce à sa fonction synergique, le courant et la tension de soudage sont ajustés automatiquement après la détermination du type de fil, de l'épaisseur et du type de gaz. Les modes classiques et intelligents facilitent l'adaptation de l'utilisateur au mode synergique.

1.2 Composants de la Machine

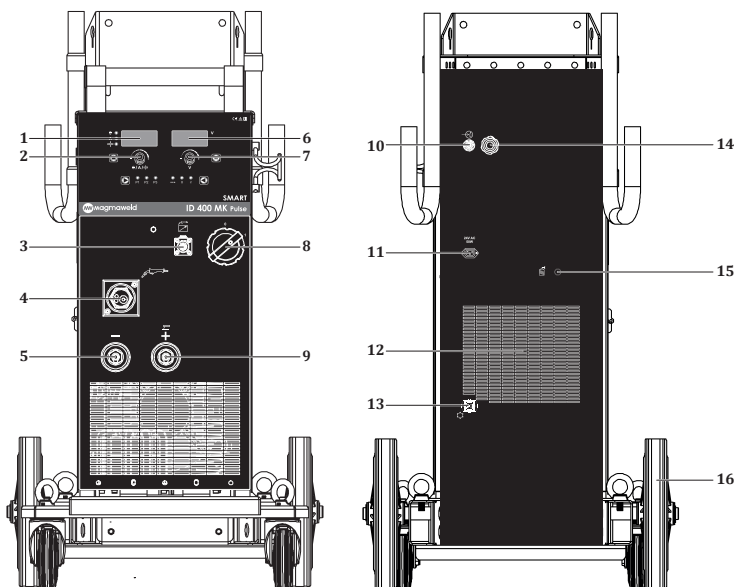


Figure 1 : ID 300 MK PULSE SMART / ID 400 MK PULSE SMART
Vue Avant et Arrière

- | | |
|--------------------------------|--------------------------------------|
| 1- Affichage numérique | 9- Connexion du pôle d'électrode (+) |
| 2- Pot d'ajustement | 10- Entrée de gaz |
| 3- Prise de données | 11- Prise de courant pour chauffage |
| 4- Connexion de la torche | 12- Ventilateur |
| 5- Connexion du pôle | 13- Prise d'énergie de l'unité d'eau |
| 6- Affichage numérique | 14- Câble secteur |
| 7- Pot d'ajustement | 15- Entrée de fil de |
| 8- Interrupteur marche / arrêt | 16- Molette |

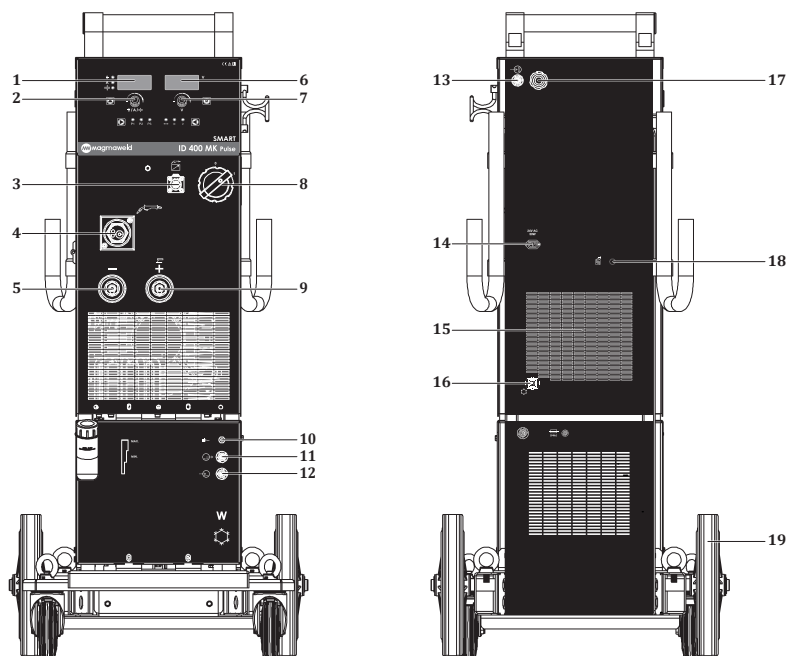


Figure 2 : ID 300 MKW PULSE SMART / ID 400 MKW PULSE SMART
Vue Avant et Arrière

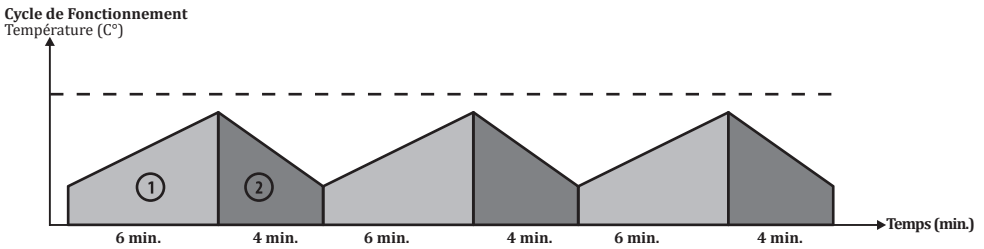
- | | |
|--------------------------------------|--|
| 1- Affichage numérique | 11- Entrée d'eau chaude de l'unité d'eau |
| 2- Pot d'ajustement | 12- Sortie d'eau froide de l'unité d'eau |
| 3- Prise de données | 13- Entrée de gaz |
| 4- Connexion de la torche | 14- Prise de courant pour chauffage |
| 5- Connexion du pôle | 15- Ventilateur |
| 6- Affichage numérique | 16- Prise d'énergie de l'unité hydroélectrique |
| 7- Pot d'ajustement | 17- Câble secteur |
| 8- Interrupteur marche / arrêt | 18- Entrée de fil de |
| 9- Connexion du pôle d'électrode (+) | 19- Molette |
| 10- Unité d'eau led | |

1.3 Étiquette du Produit

MAGMA MEKATRONİK MAKİNE SAN. VE TİC. A.Ş. Organize Sanayi Bölgesi 5.Kısım Manisa-TÜRKİYE											
ID 300MK Pulse SMART					S/N:						
					EN 60974-1 / EN 60974-10 Class A						
	---	50A / 22V - 300A / 32V					---	50A / 16.5V - 300A / 29V			
		X _(40C)	40%	60%	100%			X _(40C)	40%	60%	100%
[S]	U _s =82V	I _s	300A	245A	190A	[S]	U _s =82V	I _s	300A	245A	190A
		U _s	32V	29.8V	27.6V			U _s	29V	26.2V	23.5V
	U _i =400V	I _{max} = 23.2A	I _{ref} = 14.7A		U _i =400V	I _{max} = 21.3A	I _{ref} = 13.5A				
IP21S											
MAGMA MEKATRONİK MAKİNE SAN. VE TİC. A.Ş. Organize Sanayi Bölgesi 5.Kısım Manisa-TÜRKİYE											
ID 300MKW Pulse SMART					S/N:						
					EN 60974-1 / EN 60974-10 Class A						
	---	50A / 22V - 300A / 32V					---	50A / 16.5V - 300A / 29V			
		X _(40C)	40%	60%	100%			X _(40C)	40%	60%	100%
[S]	U _s =82V	I _s	300A	245A	190A	[S]	U _s =82V	I _s	300A	245A	190A
		U _s	32V	29.8V	27.6V			U _s	29V	26.2V	23.5V
	U _i =400V	I _{max} = 23.2A	I _{ref} = 14.7A		U _i =400V	I _{max} = 21.3A	I _{ref} = 13.5A				
IP21S											
MAGMA MEKATRONİK MAKİNE SAN. VE TİC. A.Ş. Organize Sanayi Bölgesi 5.Kısım Manisa-TÜRKİYE											
ID 400MK Pulse SMART					S/N:						
					EN 60974-1 / EN 60974-10 Class A						
	---	50A / 22V - 400A / 36V					---	50A / 16.5V - 400A / 34V			
		X _(40C)	40%	60%	100%			X _(40C)	40%	60%	100%
[S]	U _s =82V	I _s	400A	327A	253A	[S]	U _s =82V	I _s	400A	327A	253A
		U _s	36V	33.1V	30.1V			U _s	34V	30.3V	26.6V
	U _i =400V	I _{max} = 33.5A	I _{ref} = 21.2A		U _i =400V	I _{max} = 32.1A	I _{ref} = 20.3A				
IP21S											
MAGMA MEKATRONİK MAKİNE SAN. VE TİC. A.Ş. Organize Sanayi Bölgesi 5.Kısım Manisa-TÜRKİYE											
ID 400MKW Pulse SMART					S/N:						
					EN 60974-1 / EN 60974-10 Class A						
	---	50A / 22V - 400A / 36V					---	50A / 16.5V - 400A / 34V			
		X _(40C)	40%	60%	100%			X _(40C)	40%	60%	100%
[S]	U _s =82V	I _s	400A	327A	253A	[S]	U _s =82V	I _s	400A	327A	253A
		U _s	36V	33.1V	30.1V			U _s	34V	30.3V	26.6V
	U _i =400V	I _{max} = 33.5A	I _{ref} = 21.2A		U _i =400V	I _{max} = 32.1A	I _{ref} = 20.3A				
IP21S											

	Transformateur Redresseur Triphasé	X	Cycle de Fonctionnement
CC / CV	Courant Constant / Tension Constante	U ₀	Tension de Fonctionnement à Vide
	Courant Continu	U ₁	Tension et Fréquence du Secteur
	Soudage MIG / MAG	U ₂	Tension Nominale de Soudage
	Entrée Secteur - Courant Alternatif Triphasé	I ₁	Courant d'entrée Assigné
	Compatible Pour Travailler dans des Environnements Dangereux	I ₂	Courant d'entrée Nominal
S/N	Numéro de Série	S ₁	Tension d'entrée Assignée
	• S / N Description du (Numéro de Série)	IP21	Classe de Protection

ID de la Machine				Production				Numéro de Séquence				
				Année		Semaine						
X	X	X	X	X	X	X	X	X	X	X	X	X
Groupe de Commande Machines de Modèle								Numéro de séquence de la machine produite dans l'année				



Le taux de cycle de fonctionnement comprend une période de 10 minutes, telle que définie dans l'EN 60974-1. Par exemple, si vous souhaitez travailler à 250 A sur un poste spécifié à 250 A à 60%, le poste peut souder / couper sans arrêt (zone 1) pendant les 6 premières minutes de la période de 10 minutes. Cependant, doit rester inactive pendant les 4 minutes suivantes pour se refroidir.

1.4 Caractéristiques Techniques

SPÉCIFICATIONS TECHNIQUES		UNITÉ	ID 300 MK/MKW PULSE SMART
Alimentation Triphasé 50/60 Hz		V	400
Tension d'entrée assignée		kVA	14,7
Efficacité de la Source d'Alimentation		%	MMA 86,21 / MIG 87,01
Consommation d'Énergie en Veille		W	23
Zone d'ajustement de courant de soudage		ADC	50 - 300
Courant de soudage nominal		ADC	300
Tension en circuit ouvert		VDC	82
Dimensions (L X L X H)	MK	mm	1138 x 528 x 837
	MKW		1180 x 528 x 1137
Poids	MK	kg	86
	MKW		110
Classe de protection			IP21S

SPÉCIFICATIONS TECHNIQUES		UNITÉ	ID 400 MK/MKW PULSE SMART
Alimentation Triphasé 50/60 Hz		V	400
Tension d'entrée assignée		kVA	22,1
Efficacité de la Source d'Alimentation		%	MMA 86,61 / MIG 87,07
Consommation d'Énergie en Veille		W	23
Zone d'ajustement de courant de soudage		ADC	50 - 400
Courant de soudage nominal		ADC	400
Tension en circuit ouvert		VDC	82
Dimensions (L X L X H)	MK	mm	1138 x 528 x 837
	MKW		1180 x 528 x 1137
Poids	MK	kg	86
	MKW		110
Classe de protection			IP21S

1.5 Accessoires

ACCESSOIRES STANDARDS	QUANTITÉ	ID 300 MK/MKW PULSE SMART	ID 400 MK/MKW PULSE SMART
Pince et Câble de Masse	1	7905203505 (35 mm ² - 5 m)	7905305005 (50 mm ² - 5 m)
Tuyau de Gaz	1	7907000002	
Boite d'Accessoire MIG/MAG CO ₂ *	1	-	
Boite d'Accessoire MIG/MAG Mix / Argon*	1	-	

* Doit être vérifié lors de la commande.

ACCESSOIRES EN OPTION	QUANTITÉ	ID 300 - 400 MK/MKW PULSE SMART
Réchauffeur CO ₂ (24V)	1	7020009003
Régulateur de Gaz (CO ₂)	1	7020001005
Régulateur de Gaz (Mix)	1	7020001004
Lava MIG 50W (3 m) Torche MIG Refroidie à l'Eau	1	7120050003

INSTALLATION

2.1 Considérations Relatives à la Réception de la Machine

Assurez-vous que tous les composants que vous avez commandés soient livrés. Si un matériel quelconque est manquant ou endommagé, contactez immédiatement votre revendeur.

La boîte standard comprend les éléments suivants;

- Machine principale et câble secteur connecté
- Certificat de garantie
- Pince et Câble de Masse
- Chaîne de fixation de tube
- Fil de soudage
- Manuel d'utilisation

En cas de réception de la marchandise endommagée, prenez les photos des dégâts constatés et signalez-les au transporteur avec une copie du bon de livraison. Si le problème persiste, contactez le service client.

Symboles se trouvant sur l'appareil et leur signification;



Le procédé de soudage est dangereux. Les conditions de travail appropriées doivent être fournies et les précautions nécessaires doivent être prises. Les experts sont responsables de la machine et doivent fournir le matériel nécessaire. Les personnes non concernées doivent être tenues à l'écart de la zone de soudage.



Cet appareil n'est pas conforme à la norme CEI 61000-3-12. Si vous souhaitez vous connecter au réseau basse tension utilisé dans les résidences, l'installateur ou la personne qui utilisera la machine doit être familiarisé avec la connexion de la machine, dans ce cas la responsabilité appartient à l'opérateur.



Il faut respecter les symboles de sécurité et les avertissements sur l'appareil et dans le manuel d'utilisation et ne pas retirer les étiquettes.



Les grilles sont destinées à la ventilation. Les ouvertures ne doivent pas être recouvertes afin d'assurer un bon refroidissement et aucun corps étranger ne doit être y introduit.

2.2 Conseils d'Installation et de Fonctionnement

- Des anneaux de levage ou des chariots élévateurs doivent être utilisés pour déplacer la machine. Ne soulevez pas la machine avec la bouteille de gaz. Lorsque vous transportez manuellement des machines à souder portatives, des mesures doivent être prises conformément aux réglementations en matière de santé et de sécurité au travail. Les dispositions nécessaires doivent être prises sur le lieu de travail pour garantir que le processus de transport s'effectue dans le plus grand respect des conditions de santé et de sécurité. Des précautions doivent être prises en fonction des caractéristiques de l'environnement de travail et des exigences du travail. Placez la machine sur une surface dure, plane et lisse où elle ne risque pas de tomber ou de se renverser.
- Lorsque la température ambiante dépasse 40 °C, faites fonctionner la machine à un courant plus faible ou à un cycle de fonctionnement plus faible.
- Évitez de souder à l'extérieur lorsqu'il y a du vent et de la pluie. Si le soudage est nécessaire dans de tels cas, protégez la zone de soudage et la machine de soudage avec des rideaux et des auvents.
- Lors de l'installation de la machine, assurez-vous que des éléments tels que des murs, des rideaux, des panneaux, etc. n'empêchent pas l'accès facile aux commandes et aux connexions de la machine.
- Si vous soudez à l'intérieur, utilisez un système approprié d'absorption de fumée. Utilisez un appareil respiratoire s'il y a un risque d'inhalation de fumée et de gaz à l'intérieur.
- Respectez les taux de cycle de fonctionnement spécifiés sur l'étiquette du produit. Dépasser régulièrement le nombre de cycle approprié peut endommager la machine et annuler la garantie.
- Un câble d'alimentation adapté à la valeur de fusible spécifiée doit être utilisé.
- Connectez le fil de masse aussi près que possible de la zone de soudage. Ne laissez pas le courant de soudage traverser des éléments autres que les câbles de soudage, tels que la machine elle-même, la bouteille de gaz, la chaîne et le roulement.


- Lorsque la bouteille de gaz est placée sur la machine, fixez-la immédiatement à l'aide de la chaîne. Si vous ne placez pas la bouteille de gaz sur la machine, fixez-la au mur à l'aide de la chaîne.
- La prise électrique située à l'arrière de la machine est destinée au réchauffeur de gaz CO₂. Ne brancher jamais un appareil autre que le réchauffeur de gaz CO₂ à la prise CO₂.

2.3 Branchements pour le Poste de Soudage

2.3.1 Branchements Électriques



Pour votre sécurité, n'utilisez jamais le câble secteur de la machine sans fiche.

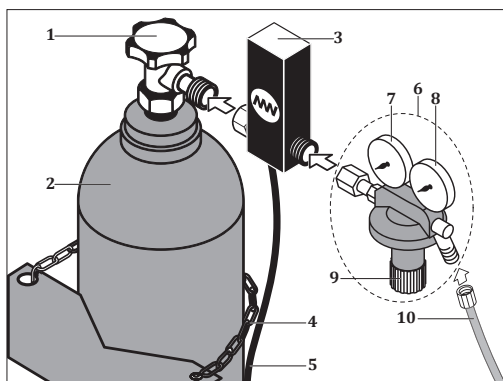
- Puisqu'il peut y avoir différentes prises en fonction de l'usine, des chantiers de construction et des ateliers, le câble d'alimentation est livré sans fiche. Une fiche adaptée à la prise doit être connectée par un électricien qualifié. Assurez-vous que le fil de la mise à la masse jaune / vert, marqué par  est présent.
- Après le raccordement de la fiche au câble, ne pas brancher le câble à la prise à ce stade.

2.3.2 Connexion de la Pince de Masse à la Pièce à Travailler

- Connectez la pince de masse à la pièce le plus près possible de la zone de soudage.

2.3.3 Connexion de la Bouteille de Gaz

- Utilisez des régulateurs et des réchauffeurs conformes aux normes pour travailler en toute sécurité et obtenir des résultats optimaux. Assurez-vous que le raccord du tuyau du régulateur de gaz à utiliser mesure 3/8" (9,5 mm).
- Ouvrez la valve de la bouteille de gaz en gardant la tête et le visage à l'écart de la sortie de la valve de la bouteille et laissez-la ouverte pendant 5 secondes. De cette façon, les éventuels sédiments et saletés seront évacués.
- Si un réchauffeur de CO₂ sera utilisé, connectez d'abord le réchauffeur de CO₂ à la bouteille de gaz. Après avoir connecté le régulateur de gaz au réchauffeur de CO₂, insérez la fiche du réchauffeur de CO₂ dans la prise.
- Si un réchauffeur de CO₂ ne sera pas utilisé, connectez d'abord le régulateur de gaz à la bouteille de gaz.
- Connectez une extrémité du tuyau flexible au régulateur de gaz et serrez le collier. Connectez l'autre extrémité à l'entrée de gaz à l'arrière de la machine et serrez l'écrou.
- Ouvrez la vanne de la bouteille de gaz et vérifiez que la bouteille est pleine et qu'il n'y a pas de fuite dans le circuit de gaz. Si vous percevez des signes de fuite, tels que bruit et / ou odeur de gaz, vérifiez les connexions et remédier au problème.



- 1- Vanne de la Bouteille de Gaz
- 2- Bouteille de Gaz
- 3- Réchauffeur de Gaz CO₂
- 4- Chaîne
- 5- Câble d'Énergie du Réchauffeur de CO₂
- 6- Régulateur de gaz
- 7- Manomètre
- 8- Débitmètre
- 9- Vanne de Régulation de Débit
- 10- Tuyau de gaz

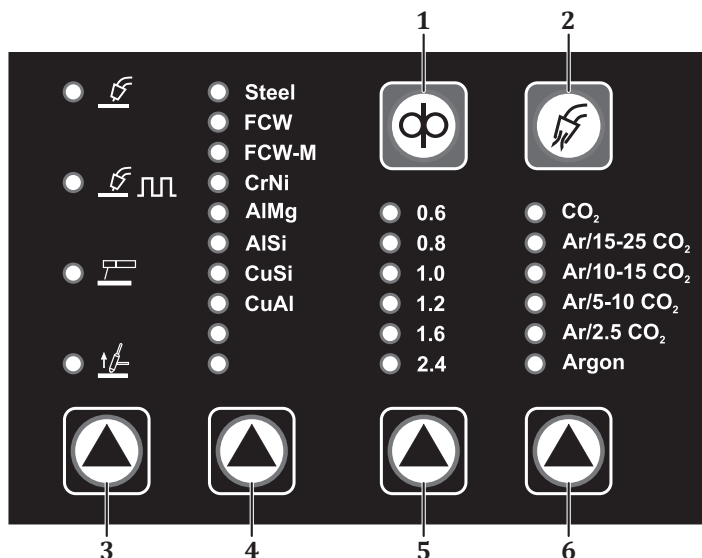
Figure 3 : Branchements de la Bouteille / du Réchauffeur / du Régulateur de Gaz

2.3.4 Unité de Refroidissement Par Eau

- L'unité de refroidissement par eau est utilisée pour refroidir la torche. Il s'agit d'un système en circuit fermé composé d'un radiateur, d'un ventilateur, d'un réservoir de liquide de refroidissement de la pompe.
- Connectez le tuyau d'eau froide (bleu) à la sortie d'eau froide du système de refroidissement par eau et le tuyau d'eau chaude (rouge) à l'entrée d'eau chaude du système de refroidissement par eau.
- Les machines à souder Magmaweld sont livrées avec le liquide de refroidissement Magmaweld, qui est produit pour donner les meilleures performances. En cas de manque de liquide de refroidissement, ouvrez le bouchon du réservoir de liquide de refroidissement et ajoutez du liquide de refroidissement Magmaweld adapté à la température de l'environnement de travail. Le liquide de refroidissement doit être compris dans les valeurs minimales et maximales indiquées sur le panneau avant de l'unité.
- Un autre liquide de refroidissement ou de l'eau ne doit pas être ajouté. Différents additifs liquides peuvent provoquer des réactions chimiques ou différents problèmes.
- Magmaweld n'est pas responsable des risques pouvant survenir en cas d'ajout de liquides différents. Toutes les dispositions de la garantie seront annulées si un liquide de refroidissement ou de l'eau différent est ajouté au liquide de refroidissement Magmaweld.
- Si vous souhaitez utiliser une autre marque de liquide de refroidissement, l'intérieur du réservoir de liquide de refroidissement doit être complètement vide et il ne doit y avoir aucun résidu ou liquide à l'intérieur.
- Il n'est pas approprié d'utiliser les unités de refroidissement par eau avec des machines à souder autres que celles fabriquées par Magma Mekatronik Makine ve Sanayi Ticaret A.Ş. Les refroidisseurs à eau ne peuvent pas fonctionner avec une alimentation externe.

UTILISATION

3.1 Paramètres Dans le Sac



1-) FIL LIBRE

Le fil est entraîné tant que l'on maintient le bouton enfoncé et la vanne de gaz ne fonctionne pas. Vous pouvez utiliser ce bouton pour enfoncer le fil dans la torche.



2-) GAZ LIBRE


Le débit de gaz est assuré tant que le bouton est maintenu enfoncé, le dévidage du fil ne fonctionne pas. Vous pouvez utiliser ce bouton après le changement de gaz.

3-) MENU DE SÉLECTION DE LA MÉTHODE SOURCE

On Effectue le choix de la méthode de soudage. Chaque pression sur le bouton permet une transition entre les lignes de la colonne concernée. Lorsque la méthode de soudage est sélectionnée, le voyant correspondant s'allume.

Plage de Réglage



-  • MIG/MAG
-  • Pulse MIG/MAG

 La méthode de soudage par impulsions n'est disponible que sur les modèles avec Pulse. Dans les modèles non-Pulse, lorsque cette ligne est atteinte, le Voyant ne s'allume pas et Pulse ne sera pas actif.

- MMA

  Vous devez ajuster vos connexions et accessoires en fonction de la méthode de soudage choisie. Il y a une sortie séparée pour la méthode MMA à l'avant de la machine.

- Lift TIG

  Un appareil approprié doit être utilisé pour la connexion du connecteur de torche dans la méthode de soudage Elevage TIG. Grâce à un appareil spécial, elle sera compatible à Euro connectore.

4-) MENU DE SELECTION DU TYPE DE FIL

On effectue le choix du type de fil est effectuée. Le type de fil à utiliser doit être correctement sélectionné. Chaque pression sur le bouton permet une transition entre les lignes de la colonne concernée. Lorsque le type de fil est sélectionné, le voyant correspondant s'allume.

Plage de Réglage

- Steel
- FCW
- FCW-M
- CrNi
- AlMg
- AlSi
- CuSi
- CuAl

5-) MENU DE SELECTION DU DIAMETRE DU FIL

On effectue le choix du diamètre du fil. Le diamètre du fil à utiliser doit être correctement choisi. Chaque pression sur le bouton permet une transition entre les lignes de la colonne concernée. Lorsque le diamètre du fil est sélectionné, le voyant correspondant s'allume.

Plage de Réglage

- 0.6 - 2.4 mm

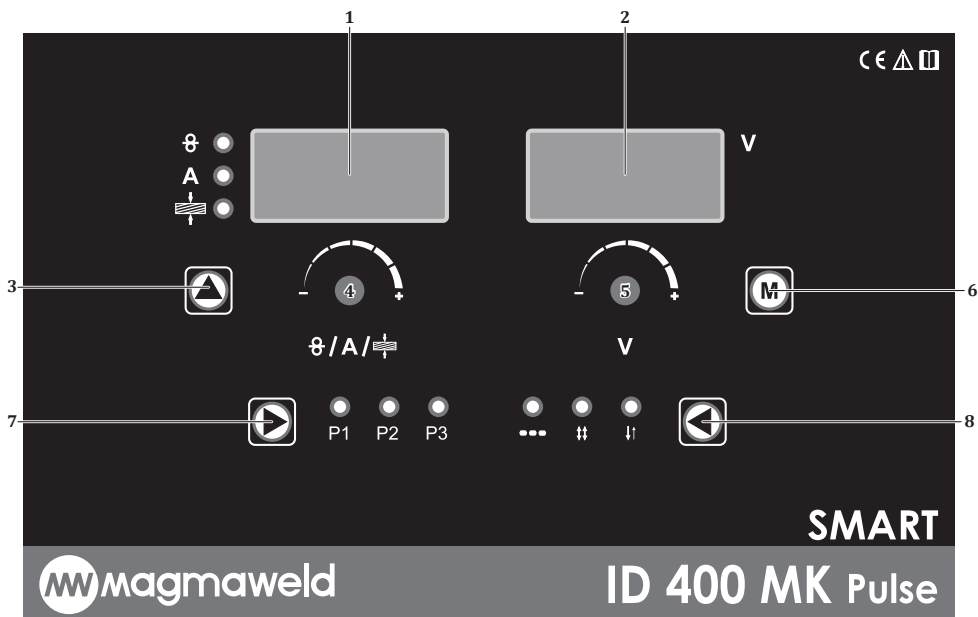
6-) MENU DE SELECTION DU TYPE DE GAZ

On effectue le choix du type de gaz. Le type de gaz à utiliser doit être correctement sélectionné. Chaque pression sur le bouton permet une transition entre les lignes de la colonne concernée. Lorsque le type de gaz est sélectionné, le voyant correspondant s'allume.

Plage de Réglage

- CO₂
- Ar/15-25 CO₂
- Ar/10-15 CO₂
- Ar/5-10 CO₂
- Ar/2.5 CO₂
- Argon

3.2 Interface Utilisateur



1-) AFFICHAGE DIGITAL

Affiche le contenu du menu, les messages d'erreur, la vitesse du fil et le courant de soudage, la valeur d'épaisseur à l'arrêt/temps de chargement en fonction du mode sélectionné. Tous les paramètres sont affichés sur l'écran numérique.

	Sans Charge	Sous Charge
Mode Synergique	Épaisseur de Matériau	Courant de Soudage
Mode Intelligent	Courant de Soudage Réglé	Courant de Soudage
Mode Classique	Vitesse de Fil	Courant de Soudage

2-) AFFICHAGE DIGITAL

Affiche les paramètres de réglage des fonctions et la tension de la source au moment de la charge ou du ralenti, selon le mode sélectionné.

	Sans Charge	Sous Charge
Mode Synergique	Tension de Soudage Réglée	Tension de Soudage
Mode Intelligent	Tension de Soudage Réglée	Tension de Soudage
Mode Classique	Tension de Soudage Réglée	Tension de Soudage

3-) MENU DE SÉLECTION DU MODE DE SOUDAGE

La sélection du mode de soudage est effectuée. Chaque pression sur le bouton permet une transition entre les lignes de la colonne concernée. Lorsque le mode de soudage est sélectionné, le voyant correspondant s'allume.

Plage de Réglage



• Mode Classique



• Mode Intelligent



• Mode Synergique

Le choix que vous faites à partir de l'onglet méthode du sac crée une différenciation dans les options du mode de soudage. Lorsque la méthode de soudage MIG/MAG est sélectionnée comme méthode de soudage, les modes sont les suivants :

MODE CLASSIQUE

Vous pouvez régler vous-même la vitesse du fil et la tension de soudage dans une certaine plage de tolérance. La vitesse du fil est réglée entre 1 et 24 m / min et la tension de soudage entre 15 et 40 V.

MODE INTELLIGENT

Les paramètres de soudage tels que le type de fil, le diamètre du fil, le type de gaz doivent être choisis correctement. La machine ajuste automatiquement la tension optimale en fonction du courant de soudage sélectionné. Vous pouvez régler la tension en tournant le bouton de réglage dans le sens +/- dans une certaine plage de tolérance.

MODE SYNERGIQUE

Les paramètres de soudage tels que le type de fil, le diamètre du fil, l'épaisseur doivent être choisis correctement. Le courant et la tension s'ajustent automatiquement en fonction des paramètres de soudage sélectionnés. L'utilisateur peut modifier le courant et la tension dans une certaine plage de tolérance. La machine recalcule automatiquement la tension en fonction de la valeur de courant définie dans la plage de tolérance spécifique.



Si vous voulez voir quelle valeur la machine a suggérée à l'origine et revenir à cette valeur, il suffit d'appuyer une fois sur le bouton de réglage.

Lorsque la méthode de soudage Pulse MIG / MAG est sélectionnée comme méthode de soudage, les modes sont les suivants:



La méthode de soudage Pulse MIG / MAG n'est disponible que sur les modèles avec impulsion.

MODE CLASSIQUE

Vous pouvez régler vous-même la vitesse du fil et la tension de soudage dans une certaine plage de tolérance. La vitesse du fil est réglée entre 1 et 24 m / min et la tension de soudage entre 15 et 40 V.

MODE INTELLIGENT

Les paramètres de soudage tels que le type de fil, le diamètre du fil, le type de gaz doivent être choisis correctement. La machine ajuste automatiquement la tension optimale en fonction du courant de soudage sélectionné. Vous pouvez régler la tension en tournant le bouton de réglage dans le sens +/- dans une certaine plage de tolérance.

MODE SYNERGIQUE

Les paramètres de soudage tels que le type de fil, le diamètre du fil, l'épaisseur doivent être choisis correctement. Le courant et la tension s'ajustent automatiquement en fonction des paramètres de soudage sélectionnés. L'utilisateur peut modifier le courant et la tension dans une certaine plage de tolérance. La machine recalcule automatiquement la tension en fonction de la valeur de courant définie dans la plage de tolérance spécifique.

Lorsque le soudage MMA et Lift TIG sont sélectionnés comme méthodes de soudage, il n'y a pas de sélection dans la section Mode.

4-) POT DE REGLAGE

Le réglage est réalisé en tournant le pot (4) vers la gauche et la droite.

- Lorsque la méthode de soudage MMA est sélectionnée, le réglage du courant est effectué par le pot.
- Lorsque la méthode de soudage Elevage TIG est sélectionnée, le réglage du courant est effectué avec le pot.
- Lorsque le mode classique est sélectionné, la vitesse du fil est ajustée avec le potentiomètre.
- Lorsque le mode intelligent est sélectionné, le courant est ajusté par le potentiomètre, la tension par rapport au courant est ajustée et calculée automatiquement.
- Lorsque le mode synergique est sélectionné, l'épaisseur du matériau à souder avec le pot est sélectionnée, la tension est automatiquement calculée en fonction de l'épaisseur réglée.
- Lorsque vous appuyez sur le bouton (6) du menu et que vous passez à la section des fonctions, vous devez appuyer une fois sur le bouton et passer à l'autre fonction pour enregistrer dans la fonction correspondante.

Par Exemple;

Si la fonction gaz avant (PrE) est sélectionnée ; si on veut enregistrer cette valeur après le réglage avec le pot (5), il est nécessaire d'appuyer une fois sur le pot (4) et de passer au dernier gaz, qui est l'autre fonction (PoS). Si on n'appuie pas sur pot (4) pour passer à la fonction suivante (PoS) et que l'on retourne directement à la page principale, aucun enregistrement ne sera effectué.

5-) POT DE REGLAGE

Le réglage est effectué en tournant le pot (5) vers la gauche et la droite.

- Lorsque le mode classique est sélectionné, on ajuste la valeur de la tension.
- Lorsque le mode intelligent est sélectionné (4), la tension est automatiquement calculée par rapport au courant réglé par le potentiomètre. Vous pouvez régler la tension en tournant le potentiomètre à gauche et à droite dans une certaine plage de tolérance (5).
- Lorsque le mode synergique est sélectionné, la tension est calculée automatiquement en fonction des paramètres déterminés. Vous pouvez régler la tension en tournant le potentiomètre à gauche et à droite dans une certaine plage de tolérance (5).
- Les fonctions s'ouvriront lorsque le bouton du menu (6) sera sélectionné. On assure le réglage des fonctions liées au pot.

6-) MENU DE SELECTION DES FONCTIONS

Les fonctions seront ouvertes lorsque vous appuierez une fois sur le bouton (6). Pour revenir à la page principale, appuyez de nouveau sur le bouton. La fonction sélectionnée est ajustée en tournant le potentiomètre (5) vers la gauche ou vers la droite, lorsque vous souhaitez sauvegarder le réglage sélectionné, il est nécessaire de passer à la fonction suivante. Pour sauvegarder, il suffit d'appuyer une fois sur le pot (4) pour que le réglage soit sauvegardé et que l'on passe à la fonction suivante. Les fonctions suivantes sont comprises dans le menu :

PrE

Gaz Avant

Réglage du gaz avant.

Plage de Réglage

- 0 - 9,9 sec.

Avant de commencer le soudage durant le temps spécifié, le gaz entre et le soudage démarre. Assure la protection du bassin de soudage avant le démarrage du soudage.

PoS

Dernier Gaz

Réglage de la durée du dernier gaz.

Plage de Réglage

- 0 - 9,9 sec.

Entrée du gaz et fin du soudage après la fin du soudage durant le temps spécifié. Assure la préservation du bassin de soudage à la fin du soudage.

brn

Allumage

Réglage de l'allumage

Plage de Réglage

- + 25 - 25

Si la valeur d'allumage affichée à l'écran est "+", le fil s'avancera pendant le temps spécifié et si la valeur à l'écran est "-", le fil continuera à brûler pendant le temps spécifié. Lorsque le soudage est terminé, il empêche le fil de soudage de se coller à la buse de contact.

Pon

Durée de soudage

Le temps de soudage est réglé lorsque la méthode est choisie.

Plage de Réglage

- 0.2 - 9.9 sec.

PoF

Temps de vide

Le temps de soudage est réglé lorsque la méthode est choisie.

Plage de Réglage

- 0.0 - 9.9 sec.

SoS

Démarrage progressif

Réglage du démarrage progressif.

Plage de Réglage

- On - Off

Lors du commencement du soudage, la vitesse du fil augmente progressivement et lentement à la vitesse réglée. De cette manière, on évite les coups et les éclaboussures au début du soudage.

Crt

Cratère

Réglage de la fonction cratère.

Plage de Réglage

- On - Off

C'est le processus de remplissage pour éviter les fissurations qui se produiront à la fin du soudage. Lorsque le cratère est actif, le courant de soudage est réduit avec une certaine linéarité en fin de soudage.

FR

7-) MENU DE SÉLECTION DES PROGRAMMES

Il est utilisé pour enregistrer le travail effectué. Il y a 3 mémoires. Le LED (7) du programme utilisé s'allumera. Pour enregistrer le programme, il est nécessaire d'appuyer une fois sur le bouton et de passer à l'autre programme. Si vous devez enregistrer sur le programme numéro 3, il suffira d'appuyer une fois sur le bouton pour sauvegarder vos réglages après avoir réalisé les réglages pendant que le led P3 est allumé. Ainsi, tous les leds des programmes seront éteints. Après le programme P3, il y a une zone qui permet de travailler sans enregistrement de programme. Il n'y aura pas d'enregistrement dans cette zone et les leds des programmes seront éteints.

Plage de Réglage

- P1 - P2 - P3

8-) MENU DE SÉLECTION DU MODE DE DÉCLENCHEMENT

Utilisé pour la sélection du mode de déclenchement. Chaque fois que le bouton (8) est enfoncé, l'autre mode de déclenchement est commuté.

Plage de Réglage

- 2 Gâchettes
- 4 Gâchettes
- Méthode



Appuyez sur La Gâchette



Maintenez La Gâchette



Relâchez La Gâchette

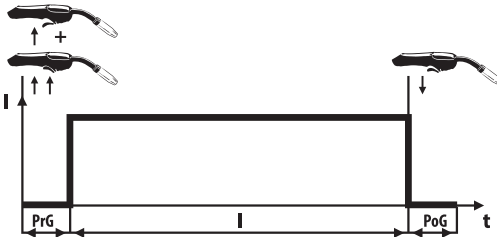
MODE 2 GÂCHETTES : Le soudage commence lorsque la gâchette de la torche est enfoncée et la gâchette est maintenue enfoncée jusqu'à la fin du soudage. Le relâchement de la gâchette met fin au procédé de soudage.

Début du Soudage ;

- Appuyez sur la gâchette de la torche et maintenez-la enfoncée.
- Le flux de gaz de protection commence aussi longtemps que la durée de pré-gaz.
- À la fin de la durée de pré-gaz, le moteur du dévidoir tourne à une vitesse lente.
- Le courant de soudage augmente lorsque la pièce est atteinte.

Fin du Soudage ;

- Relâchez la gâchette
Le moteur du dévidoir s'arrête.
- L'arc s'éteint après la durée du retour de flamme réglée.
- Le processus se termine à la fin de la durée de gaz final.



PrG : Temps de Pré-Gaz

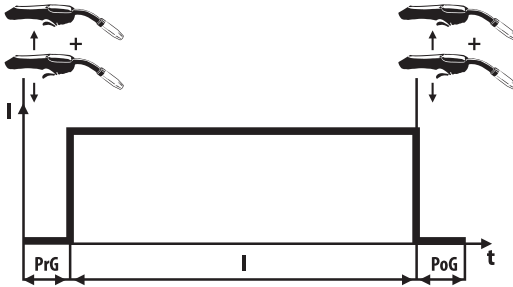
I : Courant de Soudage

PoG : Temps de Gaz Final

4 MODE GÂCHETTE: Le soudage commence une fois que la gâchette de la torche est enfoncée et relâchée, et il n'est pas nécessaire de la maintenir jusqu'à la fin du soudage. Le soudage s'arrêtera lorsque la gâchette sera enfoncée et relâchée à nouveau.

Début du Soudage ;

- Appuyez sur la gâchette de la torche et maintenez-la enfoncée.
- Le flux de gaz de protection commence aussi longtemps que la durée de pré-gaz.
- À la fin de la durée de pré-gaz, le moteur du dévidoir tourne à une vitesse lente.
- Le courant de soudage augmente lorsque la pièce est atteinte.
- Relâchez la gâchette de la torche, le soudage continuera.



Fin du Soudage ;

- Appuyez sur la gâchette de la torche et relâchez-la.
- Le moteur du dévidoir s'arrête.
- L'arc s'éteint après la durée du retour de flamme réglée.
- Le processus se termine à la fin de la durée de gaz final.

PrG : Temps de Pré-Gaz

I : Courant de Soudage

PoG : Temps de Gaz Final

MÉTHODE : Il s'agit du mode ponctuel (soudage par points). Le soudage se poursuit pendant la durée de soudage définie et se termine à la fin de celle-ci. Aucune soudure n'est effectuée pendant le temps inactif défini. Cette période se poursuivra tant que la gâchette n'est pas relâchée. Temps de soudage : 0.2 à 9.9 sec. et Temps inactif : 0.0 à 9.9 sec.



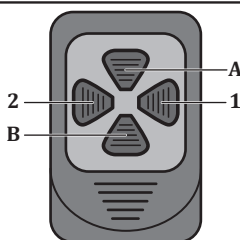
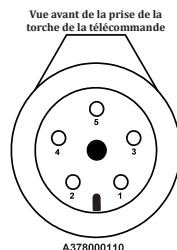
Cette option doit être choisie chaque fois que l'on souhaite obtenir le même cordon de soudage. Les soudures créées en mode "méthode" seront de longueur égale.

3.3 Contrôle à Distance

À l'aide d'une torche et d'un connecteur appropriés, vous pouvez également modifier votre courant de soudage (vitesse du fil) / tension de soudage sur la torche sans vous rendre près de votre machine. Brancher la prise de la torche de la télécommande.

Les connexions de prise sont les suivantes :

COMMANDE DE TORCHE - MARRON	=====	A378000110 - 1
COMMANDE DE TORCHE - NOIR	=====	A378000110 - 2
COMMANDE DE TORCHE - ROUGE	=====	A378000110 - 4
COMMANDE DE TORCHE - BLANC	=====	A378000110 - 5
COMMANDE DE TORCHE - VERT	=====	A378000110 - 3

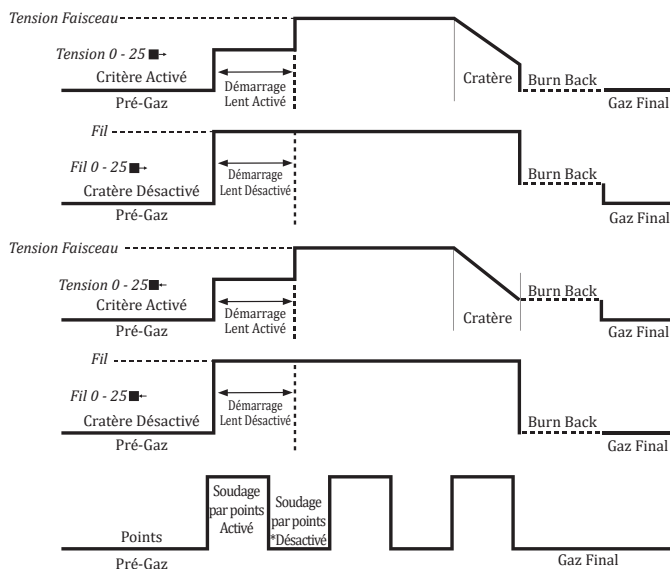


Mode	Touche	Fonction
Mode Classique	1	Vous pouvez réduire la vitesse de votre fil jusqu'à la valeur de tolérance minimale (-10%). Plage de réglage : 0.5 m/min
	2	Vous pouvez augmenter la vitesse de votre fil jusqu'à la valeur de tolérance maximale (+10%). Plage de réglage : 0.5 m/min
	A	Vous pouvez augmenter la tension de soudage jusqu'à la valeur de tolérance maximale (+10%). Plage de réglage : 0.5 V
	B	Vous pouvez réduire la tension de soudage jusqu'à la valeur de tolérance minimale (-10%). Plage de réglage : 0.5 V
Mode Intelligent	1	Vous pouvez réduire le courant de soudage jusqu'à la valeur de tolérance minimale (-10%). Plage de réglage : 5 A
	2	Vous pouvez augmenter le courant de soudage jusqu'à la valeur de tolérance maximale (+10%). Plage de réglage : 5 A
	A	Vous pouvez augmenter la tension de soudage jusqu'à la valeur de tolérance maximale (+10%). Plage de réglage : 0.5 V
	B	Vous pouvez réduire la tension de soudage jusqu'à la valeur de tolérance minimale (-10%). Plage de réglage : 0.5 V
Mode Synergique	1	Vous pouvez réduire le courant de soudage jusqu'à la valeur de tolérance minimale (-10%). Plage de réglage : 5 A
	2	Vous pouvez augmenter le courant de soudage jusqu'à la valeur de tolérance maximale (+10%). Plage de réglage : 5 A
	A	Vous pouvez augmenter la tension de soudage jusqu'à la valeur de tolérance maximale (+10%). Plage de réglage : 0.5 V
	B	Vous pouvez réduire la tension de soudage jusqu'à la valeur de tolérance minimale (-10%). Plage de réglage : 0.5 V

3.4 Réglage de la Longueur de l'Arc (Arc)

Lorsque vous maintenez le bouton de réglage enfoncé pendant 3 secondes, la fonction de longueur d'arc sera active. Le réglage d'usine est de 0,0. Vous pouvez modifier le réglage de la longueur de l'arc dans la plage + 7 / -7 en tournant le même bouton vers la droite ou la gauche. En allant vers +7, le fil s'approche de la buse, la longueur de l'arc augmente. En allant vers -7, le fil s'approche du métal à souder et la longueur de l'arc diminue. Une fois le réglage souhaité effectué, le réglage est quitté en appuyant sur le même bouton.

3.5 Courbe de Soudage MIG



Paramètre	Plage de Valeurs	Réglage d'usine	2- Position MIG	4- Position MIG
Pré-Gaz	0,0 - 9,9 sec	0,1 sec	✓	✓
Gaz Final	0,0 - 9,9 sec	0,1 sec	✓	✓
Burn Back	25 - 0 - 25	0 step	✓	✓
Temps de Soudage	0,2 - 9,9 sec	0,2 sec	✓	✓
Temps Inactif	0,0 - 9,9 sec	0,0 sec	✓	✓
Diamètre du Fil	0,6 - 2,4 mm	1,0 mm	✓	✓
Épaisseur	0,6 - 20,0 mm	1,0 mm	✓	✓
Type du Gaz	CO ₂ , Ar/5-10 CO ₂ , Ar/15-25 CO ₂ , Ar/2.5 CO ₂ , Ar/10-15 CO ₂ , Argon			
Type du Fil	Steel, AlMg, FCW, AlSi, FCW-M, CuSi, CrNi, CuAl			
Cratère	Activé-Désactivé	Désactivé	✓	✓
Mode	Synergique / Intelligent / Classique			
Gâchette	Méthode / 2 / 4	2	✓	✓
Méthode	MIG/MAG - MMA - LIFT TIG	MIG / MAG		

3.6 Branchement au Réseau



Selon le mode sélectionné, la vitesse du fil et le courant de soudage sont définis à l'aide du potentiomètre de réglage de courant. Le réglage se fait en tournant à droite et à gauche le bouton de réglage du potentiomètre.

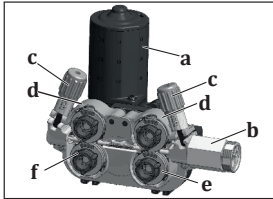


Effectuez les connexions des pôles en fonction du type de soudage que vous allez procéder.

- Allumez la poste à souder en utilisant l'interrupteur Marche / Arrêt.
- Éteignez la machine en remettant l'interrupteur marche / arrêt en position d'arrêt après avoir entendu le bruit du ventilateur et vu que la lampe principale est allumée.

3.7 Choix et Remplacement des Galets de Dévidage

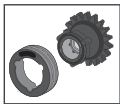
- Lorsque vous ouvrez le couvercle du dévidoir, vous pouvez régler le gaz et le fil à l'aide du bouton se trouvant sur le côté. Dans le dévidoir, vous verrez le système de dévidage composé de 4 poulies encodeurs. Grâce à la structure du système à 4 roues motrices, le fil est entraîné mécaniquement par une puissance appliquée sur les 4 poulies à fois. Ainsi le réchauffement du moteur et l'augmentation de la friction n'affectent pas la vitesse de dévidage du fil. Cela permet également d'obtenir une stabilité d'arc excellente. Dès que la machine est mise sous tension, la led à l'intérieur sera active pour faciliter le remplacement de la poulie.



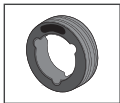
- a- Moteur
- b- Connecteur Euro
- c- Vis de réglage de la pression
- d- Poulie de dévidage supérieure
- e- Poulie de dévidage inférieure
- f- Mécanisme de verrouillage du système de dévidage

Figure 4 : Système du Dévidoir

- **Utilisez des rouleaux de dévidage adaptés au matériau et au diamètre du fil de soudure que vous allez utiliser. Utilisez les poulies à nervures en V pour du fil en acier et acier inoxydable, les poulies dentelées à nervures en V pour du fil fourré et les poulies à nervures en U pour du fil en aluminium.**
- Lorsque vous devez remplacer les poulies de dévidage, tirez la vis de réglage de la pression vers vous pour ensuite retirer les couvercles supérieurs et enlever les poulies présentes.



- **Vous devez déverrouiller les poulies avant de pouvoir les retirer. Tournez la poulie dévidage dans le sens inverse de verrouillage pour que les encoches se trouvant à la partie intérieure de la poulie de dévidage soient chevauchés par les saillies du corps du dévidoir, de sorte que vous déverrouillez.**



- **Les deux côtés des poulies sont marqués en fonction du diamètre du fil utilisé.**
- **Placez les poulies sur la bride de sorte que la valeur du diamètre du fil que vous utiliserez soit du côté qui vous fait face.**

- Placez la poulie que vous allez utiliser de sorte que les encoches se trouvant à la partie intérieure de la poulie de dévidage soient chevauchés par les saillies du corps du dévidoir. Tournez-la vers la droite ou la gauche pour entendre le clic de verrouillage et pour vous assurer la poulie est en place. Abaissez ensuite les rouleaux de pression et soulevez le levier du rouleau de pression pour ensuite le verrouiller sur le rouleau de pression.

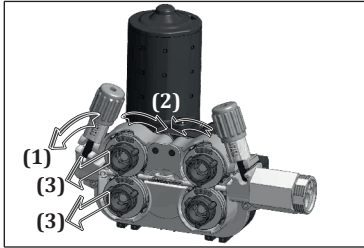


Figure 5 : Retrait des Galets de Dévidage

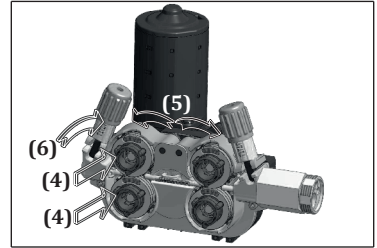
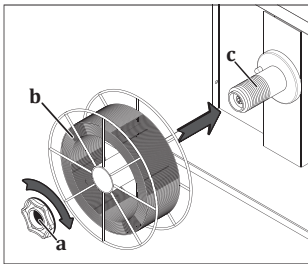


Figure 6 : Installation des Galets de Dévidage

3.8 Installation de la Bobine de Fil et Dévidage

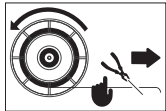
- Dévissez et retirez la vis du système de support de fil. Insérez la bobine de fil à soude sur l'arbre du système de transport de fil et resserrez la vis.



Un serrage excessif de la vis empêchera le fil de passer et pourrait causer des dysfonctionnements. Un serrage insuffisant de la vis peut amener le panier à se vider et à s'emmêler après un certain temps lorsque le fil est arrêté. Par conséquent, le serrage de la vis ne doit être ni trop fort, ni trop lâche.

Figure 7 : Dévidage du Fil vers les Galets

- Tirez et abaissez le levier de pression sur les poulies, c'est-à-dire relâchez les.



- Retirez le fil de soudage de son emplacement sur la bobine et coupez-le avec un burin sans lâcher son extrémité.



Si l'extrémité du fil s'échappe, le fil peut être projeté comme un ressort et provoquer des blessures.

- Faites passer le fil à travers le guide d'entrée de fil sans le relâcher sur les bobines et par-dessus les bobines dans la torche.

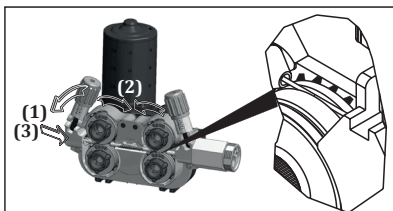
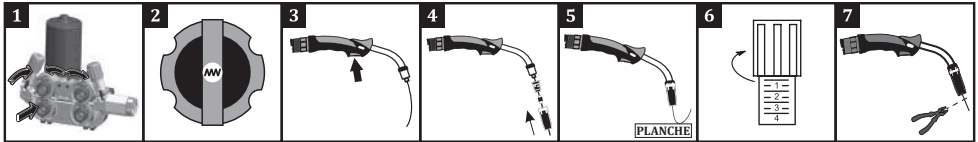


Figure 8 : Dévidage du Fil vers les Galets

- Appuyez sur les galets presseurs et soulevez le levier de pression **1**.
- Démarrez la machine en tournant l'interrupteur marche / arrêté sur la position "1" **2**.
- Appuyez sur la gâchette jusqu'à ce que le fil sorte du bout de la torche tout en observant que la bobine de fil à souder tourne librement, appuyez sur la gâchette et relâchez-la plusieurs fois pour vérifier que le bobinage ne se desserre pas **3**. Si vous observez un desserrage et / ou un rembobinage, serrez un peu plus le vis du système de transport de fil.
- Lorsque le fil sort de la pointe de la torche, attachez à nouveau la buse et le tube contact à la torche **4**.
- Effectuez un réglage de pression de fil approprié **5** en frottant le fil sur une planche en bois **6** et coupez l'extrémité du fil **7**.



Ce qui suit se produit lorsque la vis de réglage de la pression est trop serrée, laissée desserrée ou lorsqu'une poulie non adaptée est utilisée.

A : Pression de fil et dimensions de conduit appropriées

B : Le levier de pression étant trop serré, le fil est déformé.

C : Le levier de pression étant trop serré, la surface de la poulie est déformée.

D : La longueur de canal de la bobine est petite pour le fil utilisé. Des distorsions de fil se produisent.

E : La longueur de canal de la bobine est grande pour le fil utilisé. Le fil ne peut pas être dévidé vers la zone de soudage.

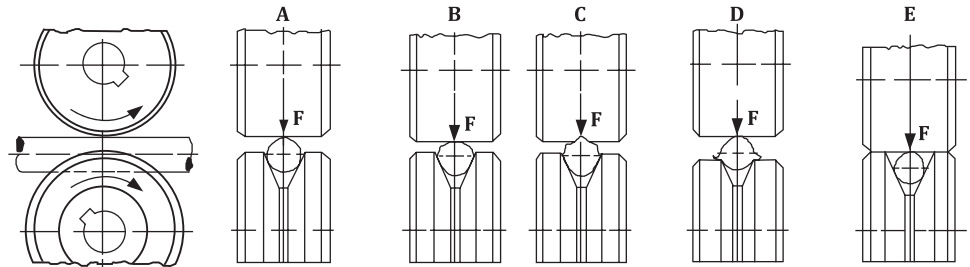


Figure 9 : Pression de réglage et la bobine de sélection erreurs

3.9 Ajustement du Débit de Gaz



Effectuez le réglage du gaz et le test du gaz en levant le levier de pression de la poulie de dévidage !

- Réglez le débit de gaz avec la vanne de régulation de débit.
- Le débit de gaz (CO₂, mixe) utilisé est 10 fois le diamètre du fil. Par exemple, si le diamètre du fil est de 0,9 mm, le débit de gaz peut être réglé à $10 \times 0,9 = 9 \text{ l/min}$
- Vous pouvez vous référer au tableau ci-dessous pour un réglage plus précis du débit.
- Après avoir réglé le débit de gaz, relevez le levier du galet presseur et fermez le capot du dévidoir.

	Fil Fourré En Acier Et Métal Non Allié	Fil Fourré	Acier Inoxydable	Aluminium	
Diamètre du fil (mm)	0.8	8 lt/min.	7 lt/min.	8 lt/min.	8 lt/min.
0.9	9 lt/min.	8 lt/min.	9 lt/min.	9 lt/min.	9 lt/min.
1.0	10 lt/min.	9 lt/min.	10 lt/min.	10 lt/min.	10 lt/min.
1.2	12 lt/min.	11 lt/min.	12 lt/min.	12 lt/min.	12 lt/min.

3.10 Caractéristiques de la Machine

Structure CC/CV

- Permet le soudage MIG, MMA et TIG.

Mémoire

- Il existe 3 mémoires permettant de sauvegarder le travail effectué.

Diversité des Fonctions d'utilisation

- Il offre un fonctionnement convivial avec ses modes MIG / MAG classiques, intelligents et synergiques.

Soft Start

- Empêche la formation de démarrage cogné et saccadé en augmentant progressivement la vitesse du fil.

Smart Performance

- Grâce au contrôle intelligent des performances, permet d'analyser en permanence les paramètres de soudage de la machine.
- En cas de conditions difficiles, la machine se met sous état de protection pour prolonger sa durée de vie et se protéger contre les dysfonctionnements.
- Cette protection est signalée par l'indicateur led thermique se trouvant sur le panneau de la machine.
- À la fin de la période de protection de 2 minutes, la machine est à nouveau allumée.

Smart Fan

- La température interne de la machine est mesurée de manière permanente. La vitesse du ventilateur de refroidissement augmente ou diminue en fonction de la température mesurée. Lorsque la température descend en dessous d'un certain degré, le ventilateur est complètement arrêté. Grâce à cette fonction, la quantité de poussière entrant dans la machine est réduite. Une durée de vie prolongée de la machine et des économies d'énergie sont ainsi assurés. Le ventilateur se met en route pour assurer le refroidissement pendant le soudage.

Contrôle de Courant / Tension Via la Torche

- À l'aide d'une torche appropriée, vous pouvez modifier votre courant de soudage (vitesse du fil) / tension de soudage via la torche sans vous rendre près de votre machine.

Compatibilité avec l'automate

- Offre une facilité d'utilisation grâce à sa structure compatible avec l'automate.

Compatibilité avec Magnet

- Les informations sur le soudage et l'environnement sont conservées en temps réel, grâce à sa structure compatible avec Magnet. Alors que certaines valeurs peuvent être lues à partir du panneau LCD se trouvant devant la machine, d'autres informations (efficacité totale de l'équipement-OEE, paramètres de soudage-WP, qualité, etc.) sont archivées et surveillées sur la plateforme Magnet. (en option)

Fonctionnement avec des Générateurs

- Le poste convient pour travailler avec des générateurs. La valeur en kVA doit être déterminée en consultant les spécifications techniques.

Protection Contre Phase

- La machine est protégée contre les phases manquantes ou erronées.

Protection Contre Tension

- Si la tension secteur est trop élevée ou trop basse, la machine se met automatiquement en état de protection et un code de défaut s'affiche à l'écran. Ainsi les composants de la machine sont protégés contre tout dommage et la longévité de la machine est garantie. Une fois que les conditions ambiantes sont redevenues normales, les fonctions de la machine sont également activées.

3.11 Valeurs de Consommation

Les tableaux ci-dessous montrent les valeurs moyennes de consommation pendant le soudage dans des conditions idéales. Ces valeurs peuvent varier en fonction de l'utilisation et des conditions ambiantes.

Consommation Moyenne de Fil Pendant le Soudage MIG/MAG

Consommation moyenne de fil à une vitesse de fil de 5 m/min.

	Diamètre de fil de 1,0 mm	Diamètre de fil de 1,2 mm	Diamètre de fil de 1,6 mm
Fil en acier	1,5 (kg/heure)	2,4 (kg/heure)	4,5 (kg/heure)
Fil en aluminium	0,55 (kg/heure)	0,8 (kg/heure)	1,4 (kg/heure)
Fil en CrNi	1,7 (kg/heure)	2,6 (kg/heure)	4,5 (kg/heure)

Consommation moyenne de fil à une vitesse de fil de 10 m/min.

	Diamètre de fil de 1,0 mm	Diamètre de fil de 1,2 mm	Diamètre de fil de 1,6 mm
Fil en acier	3,5 (kg/heure)	4,95 (kg/heure)	9,3 (kg/heure)
Fil en aluminium	1,25 (kg/heure)	1,73 (kg/heure)	3,15 (kg/heure)
Fil en CrNi	3,65 (kg/heure)	5,2 (kg/heure)	9,4 (kg/heure)

Consommation Moyenne de Gaz de Protection Pendant le Soudage MIG/MAG

Diamètre du Fil	0.8 mm	1.0 mm	1.2 mm	1.6 mm	2 mm
Consommation Moyenne	8 l/min.	10 l/min.	12 l/min.	16 l/min.	20 l/min.



MAINTENANCE ET DÉFAILLANCES

- L'entretien et la réparation de la machine doivent être effectués par des personnes compétentes. Notre société n'est pas responsable des accidents qui se produisent à la suite d'interventions par des personnes non autorisées.
- Les pièces à utiliser pendant la réparation peuvent être obtenues auprès de nos services autorisés. L'utilisation de pièces détachées d'origine prolongera la durée de vie de votre machine et empêchera les pertes de rendement.
- Contactez toujours le fabricant ou un agent de service autorisé spécifié par le fabricant.
- Toute tentative non autorisée par le fabricant pendant la période de garantie annulera toutes les dispositions de la garantie.
- Respectez scrupuleusement les consignes de sécurité applicables pendant les procédures d'entretien et de réparation.
- Avant toute opération de réparation de la machine, déconnectez la sortie électrique de la machine du secteur et attendez 10 secondes pour que les condensateurs se déchargent.

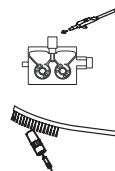
FR

4.1 Maintenance



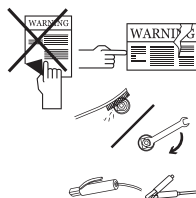
Soins quotidiens

- Le mécanisme d'alimentation du fil doit être maintenu propre et les surfaces des rouleaux ne doivent jamais être huilées. Nettoyez toujours les résidus accumulés sur le mécanisme à l'aide d'air sec à chaque changement de fil de soudure.
- Les consommables de la torche doivent être nettoyés régulièrement. Si nécessaire, il doit être remplacé. Assurez-vous que ces matériaux sont des produits originaux pour une utilisation à long terme.



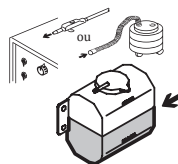
Tous les 3 Mois

- Ne retirez pas les étiquettes d'avertissement sur l'appareil. Remplacez les étiquettes usées/déchirées par des neuves. Vous pouvez obtenir les étiquettes auprès du service agréé.
- Vérifiez vos pinces et câbles. Faites attention aux connexions et à la solidité des pièces.
- Remplacez les pièces endommagées/ défectueuses par des neuves. Ne jamais ajouter/réparer des câbles.
- Assurez-vous qu'il y a suffisamment d'espace pour la ventilation. Les consommables de la torche TIG en option doivent être nettoyés régulièrement. Si nécessaire, il doit être remplacé. Des précautions doivent être prises pour s'assurer que ces matériaux sont des produits originaux pour une utilisation à long terme.



Tous les 6 Mois

- Nettoyez et serrez les pièces de connexion telles que les boulons et les écrous. Vérifiez les câbles du porte-électrode et de la pince de masse. Ouvrez les capots latéraux de la machine et nettoyez-la avec de l'air sec à basse pression. N'appliquez pas d'air comprimé à proximité des composants électroniques.
- Renouvelez périodiquement l'eau du réservoir du groupe de refroidissement par eau avec de l'eau propre et non dure et protégez-la contre le gel avec de l'antigel.



REMARQUE: Les délais mentionnés ci-dessus sont les périodes maximales à appliquer dans le cas où aucun problème ne se produit sur la machine. En fonction de la densité de votre activité et de la pollution de votre environnement de travail, vous pouvez répéter les opérations ci-dessus plus fréquemment.




Ne jamais procéder au soudage lorsque les couvercles du poste de soudage sont ouverts.

4.2 Dépannage

Vous pouvez obtenir les étiquettes des services autorisés.

Incident	Cause	Solution
La machine ne fonctionne pas	• La machine n'est pas connectée au secteur	• Assurez-vous que la machine est correctement branchée
	• Les connexions réseau ne sont pas correctes	• Vérifiez que les connexions secteur sont correctes
	• Les fusibles d'alimentation, le câble secteur ou la fiche sont défectueux	• Vérifiez les fusibles d'alimentation, le câble d'alimentation et la fiche
	• Un (ou plusieurs) fusible a sauté	• Vérifiez les fusibles
	• Le contacteur est défectueux	• Vérifier le contacteur
Le moteur du dévidoir ne fonctionne pas	• Un (ou plusieurs) fusible a sauté	• Vérifiez les fusibles
	• La carte électronique est défectueuse	• Contactez le service agréé
Le moteur d'alimentation de fil fonctionne mais le fil n'avance pas	• Les galets d'entraînement de fil ne conviennent pas au diamètre du fil	• Choisissez des galets d'alimentation de fil appropriées
	• La pression appliquée sur les galets d'alimentation de fil est très faible	• Ajustez le galet presseur
La soudure n'est pas bonne	• La connexion entre la pince de mise à la masse et la pièce est défaillante	• Assurez-vous que la pince de mise à la masse de la machine est connectée à la pièce à travailler
	• Les câbles et les ports de connexion sont usés	• Assurez-vous que les câbles et les ports de connexion sont en bon état
	• La sélection du paramétrage et du processus n'est pas correcte	• Assurez-vous que la sélection du paramètre et du processus est correcte. Suivez les étapes ci-dessous en fonction du processus sélectionné

Incident	Cause	Solution
La soudure n'est pas bonne	<ul style="list-style-type: none"> Le flux de gaz n'est pas ouvert ou défaillant 	<ul style="list-style-type: none"> Vérifiez que le flux de gaz est ouvert, assurez-vous que le flux est correct
	<ul style="list-style-type: none"> La torche de soudage est défectueuse 	<ul style="list-style-type: none"> Assurez-vous que la torche de soudage est en bon état
	<ul style="list-style-type: none"> Les consommables ne sont pas adaptés ou sont endommagés 	<ul style="list-style-type: none"> Sélectionnez le consommable approprié et nettoyez la torche régulièrement. Les consommables inadaptés ou usés doivent être remplacés
	<ul style="list-style-type: none"> Le réglage de pression des galets presseurs n'est pas correct 	<ul style="list-style-type: none"> Les réglages des galets presseurs doivent être effectués correctement
Le ventilateur ne fonctionne pas	<ul style="list-style-type: none"> Un (ou plusieurs) fusible a sauté 	<ul style="list-style-type: none"> Vérifiez les fusibles
	<ul style="list-style-type: none"> Le moteur de ventilateur est défectueux 	<ul style="list-style-type: none"> Contactez le service agréé
La machine est bruyante	<ul style="list-style-type: none"> Le contacteur est défectueux 	<ul style="list-style-type: none"> Contactez le service agréé
Le courant de soudage est instable et / ou ne peut pas être réglé	<ul style="list-style-type: none"> Le groupe de diodes est défectueux 	<ul style="list-style-type: none"> Contactez le service agréé
La prise de chauffage ne fonctionne pas	<ul style="list-style-type: none"> Un (ou plusieurs) fusible a sauté 	<ul style="list-style-type: none"> Vérifiez les fusibles. Contactez le service agréé
La valeur  / NOP apparaît à l'écran	<ul style="list-style-type: none"> Les paramètres de soudage ne sont pas correctement choisis 	<ul style="list-style-type: none"> Tous les paramètres tels que le type de fil, le type de gaz etc. doivent être sélectionnés en fonction de votre méthode de soudage

4.3 Codes d'incident

Code d'incident	Incident	Cause	Solution
E01	Erreur de Communication	<ul style="list-style-type: none"> Il peut y avoir un problème électrique à l'intérieur du poste 	<ul style="list-style-type: none"> Contactez le service agréé
E02	Protection Thermique	<ul style="list-style-type: none"> La durée appropriée pour le fonctionnement de la machine est dépassée 	<ul style="list-style-type: none"> Laissez la machine refroidir pendant un certain temps. Si le défaut disparaît, essayez d'utiliser des ampérages inférieurs
		<ul style="list-style-type: none"> Le ventilateur est en panne 	<ul style="list-style-type: none"> Vérifiez visuellement le fonctionnement du ventilateur. En cas de panne, contactez le service agréé
		<ul style="list-style-type: none"> Les conduits d'entrée et de sortie d'air sont bloqués 	<ul style="list-style-type: none"> Libérez le passage de l'air
		<ul style="list-style-type: none"> L'environnement de travail de la machine n'est pas suffisamment ventilé ou la température ambiante est trop élevée 	<ul style="list-style-type: none"> Assurez-vous que la machine est placée dans un endroit adapté aux conditions d'utilisation
E03	Erreur de Surintensité	<ul style="list-style-type: none"> Il est possible que la machine consomme un courant excessif 	<ul style="list-style-type: none"> Contactez le service agréé
		<ul style="list-style-type: none"> Il peut y avoir un problème électrique à l'intérieur du poste 	<ul style="list-style-type: none"> Contactez le service agréé
E04	Tension Secteur Basse	<ul style="list-style-type: none"> La tension secteur peut être basse 	<ul style="list-style-type: none"> Vérifiez les câbles de raccordement au secteur et la tension. Assurez-vous que la tension fournie est correcte. Avant toute opération de réparation de la machine, déconnectez la sortie électrique de la machine du secteur et attendez 10 secondes pour que les condensateurs se déchargent
E05	Erreur de Capteur de Température	<ul style="list-style-type: none"> Le capteur est en panne ou le branchement électrique est défaillant 	<ul style="list-style-type: none"> Contactez le service agréé
E06	Tension Secteur Élevée	<ul style="list-style-type: none"> La tension secteur peut être élevée 	<ul style="list-style-type: none"> Vérifiez les câbles de raccordement au secteur et la tension. Assurez-vous que la tension fournie est correcte. Avant toute opération de réparation de la machine, déconnectez la sortie électrique de la machine du secteur et attendez 10 secondes pour que les condensateurs se déchargent

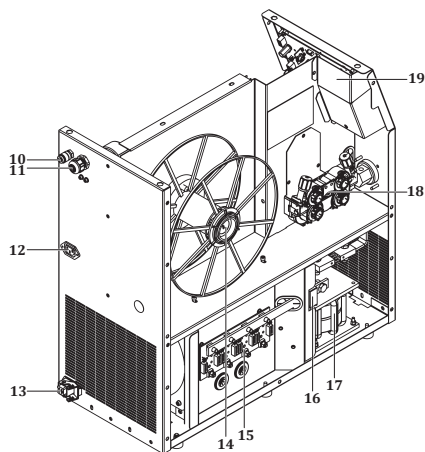
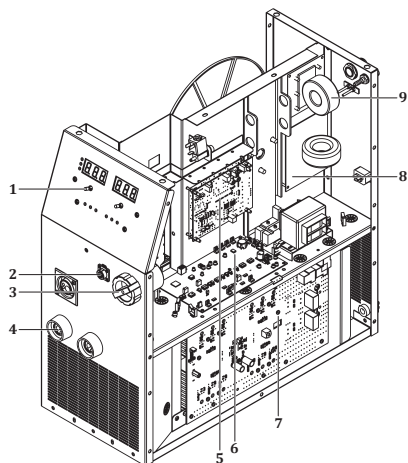


ANNEXE

5.1 Listes des Pièces Détachées

Liste Des Pièces de Remplacement de l'Alimentation

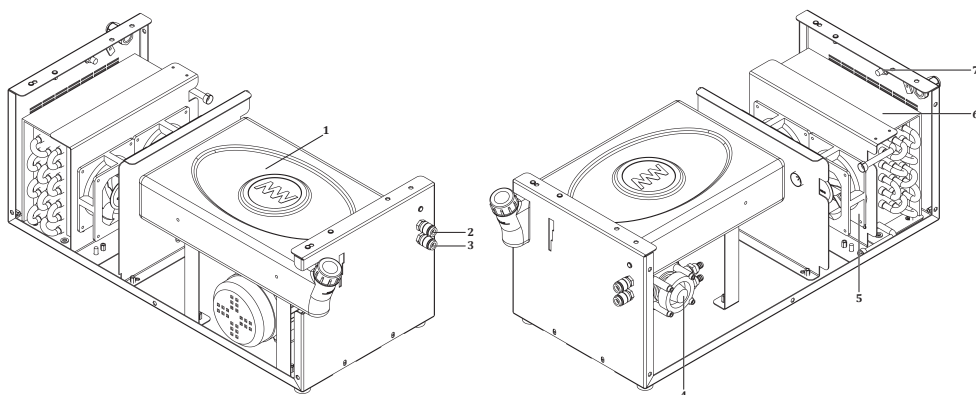
FR



N°	DESCRIPTION	MATERIAL CODE
1	Bouton Potentiel	A229500001
2	Connector	A378000103
3	Interrupteur	A308900004
4	Prise de Soudage	A377900106
5	Carte Électronique E121A-2	K405000230
6	Carte Électronique E206A-CNT3P	K405000324
7	Carte Électronique E206A-1	K405000253
8	Carte Électronique E202A-FLT4	K405000254
9	Carte Électronique Filtre RS	K405000262
10	Glande de Robinet du Gaz	A256000609
11	Union plastique	A376400016
12	Connecteur d'Alimentation	A378000050
13	Connecteur	A378002002
14	Triple Connexion pour Le Système de Dévidage	A229900003
15	Carte Électronique E202A-4A	K405000255
16	Carte Électronique E121A-2	K405000230
17	Self de Choc	A421050002
18	Dévidoir	K3090002213
19	Carte Électronique E309A-3A	K405000312
	Carte Électronique E309A-3B	K405000313

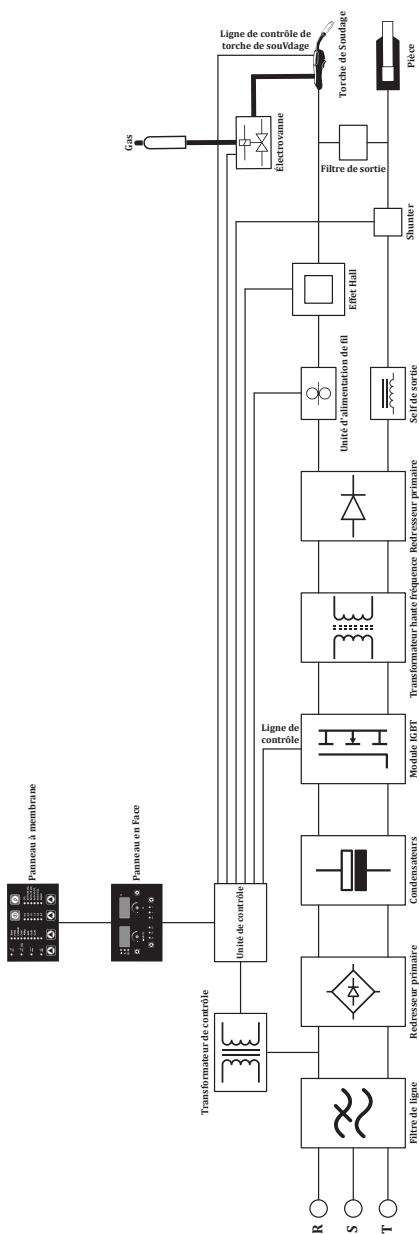
Unité de refroidissement

FR

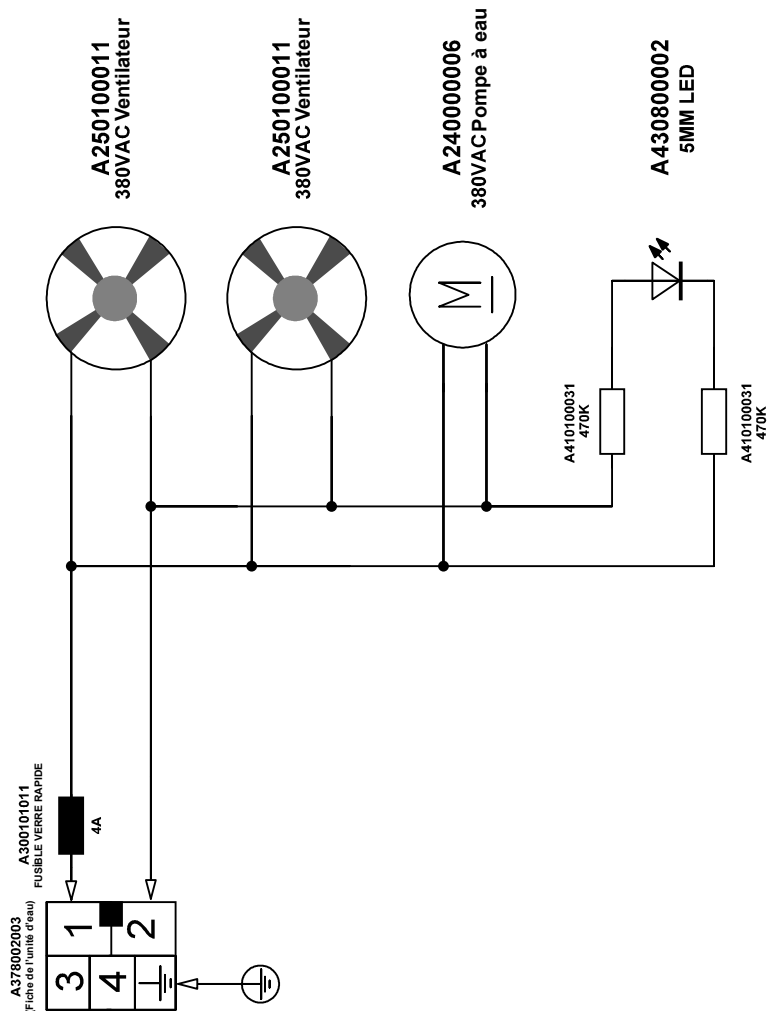


N°	DESCRIPTION	MATERIAL CODE
1	Réservoir d'eau	A249000005
2	Raccord Rapide Rouge	A245700003
3	Raccord Rapide Bleu	A245700002
4	Pompe à Eau	A240000006
5	Ventilateur	A250001126
6	Radiateur	A260000010
7	Porte-fusible en verre	A300190001
8	Fusible en verre rapide	A300101011

5.2 Diagramme



5.3 Schéma du circuit de l'unité d'eau



INFORMATION PRODUIT

Modèle

Numéro de série

FABRICANT

Nom

MAGMA MEKATRONİK MAKİNE SANAYİ VE TİCARET A.Ş.

Adresse

Organize Sanayi Bölgesi 5. Kısım MANİSA

Téléphone / Courriel

+90 236 226 27 00 / info@magmaweld.com

INFORMATIONS D'ACHAT

Nom du revendeur

Ville / Pays

Téléphone / Courriel

Date d'achat

INFORMATIONS CLIENT

Nom de l'entreprise

Ville / Pays

Téléphone / Courriel

Nom du contact

INFORMATIONS SUR LA MISE EN ROUTE (le cas échéant)Nom de l'entreprise de la
mise en route

Nom du technicien

Date de la mise en route
(Date de début de garantie)

Veuillez visiter notre site web www.magmaweld.fr/conditions-de-garantie/wt
pour les conditions de garantie.

 **INHALT**

	SICHERHEITSVORSCHRIFTEN	86
1	TECHNISCHE DATEN	
1.1	Allgemeine Erläuterungen	93
1.2	Maschinenkomponenten	93
1.3	Produktkennzeichnung	95
1.4	Technische Spezifikationen	97
1.5	Zubehör	97
2	INSTALLATIONSHINWEISE	
2.1	Zu beachtende Punkte beim Empfang	98
2.2	Empfehlungen für Installation und Betrieb	98
2.3	Schweißanschlüsse	99
2.3.1	Netzsteckeranschluss	99
2.3.2	Verbinden der Erdungszange mit dem Werkstück	99
2.3.3	Gasanschlüsse	99
2.3.4	Wasserkühleinheit	100
3	NUTZUNGSINFORMATIONEN	
3.1	Einstellungen im Inneren der Tasche	101
3.2	Benutzeroberfläche	103
3.3	Fernsteuerung	108
3.4	Einstellung der Bogenlänge (ArC)	109
3.5	MIG-Kurve	109
3.6	Anschluss an das Stromnetz	110
3.7	Auswahl und Austausch der Drahtvorschubwalze	110
3.8	Positionierung der Drahtspule und Antrieb des Drahtes	111
3.9	Einstellung des Gasflusses	113
3.10	Spezifikationen der Maschine	113
4	WARTUNGS- UND STÖRUNGSINFORMATIONEN	
4.1	Wartung	115
4.2	Fehlersuche	116
4.3	Fehlercodes	118
5	ANHÄNGE	
5.1	Ersatzteillisten	119
5.2	Blockdiagramm	121
5.3	Schaltplan der Wassereinheit	122

SICHERHEITSVORSCHRIFTEN

Befolgen Sie alle Sicherheitsvorschriften in dieser Bedienungsanleitung!

Sicherheitsinformationen Identifizierung



- Die Sicherheitssymbole in dieser Bedienungsanleitung werden verwendet, um potenzielle Gefahren zu identifizieren.
- Bei jedem Sicherheitssymbol in dieser Bedienungsanleitung müssen Sie beachten, dass ein Verletzungsrisiko besteht und die folgenden Erläuterungen sorgfältig lesen, um mögliche Gefahren zu vermeiden.
- Der Maschinenbesitzer ist dafür verantwortlich, dass Unbefugte keinen Zugriff auf das Gerät haben.
- Personen, die diese Maschine benutzen, müssen im Schweißen/Schneiden erfahren oder geschult sein und müssen vor der Arbeit die Bedienungsanleitung lesen und die Sicherheitshinweise beachten.

Sicherheitssymbole Kennzeichnung



VORSICHT

Weist auf eine potenziell gefährliche Situation hin, die zu Verletzungen oder Schäden führen kann. Die Nichtbeachtung von Vorsichtsmaßnahmen kann zu Verletzungen oder Materialverlusten/-schäden führen.



WICHTIG

Weist auf Informationen und Warnungen zur Verwendung hin.



GEFAHR

Zeigt eine ernste Gefahr an. Die Nichtbeachtung kann zum Tod oder zu schweren Verletzungen führen.

Sicherheitshinweise begreifen



- Lesen Sie die Bedienungsanleitung und die Kennzeichnungen und Sicherheitshinweise auf dem Gerät sorgfältig durch.
- Vergewissern Sie sich, dass die Warnschilder an der Maschine in gutem Zustand sind. Ersetzen Sie fehlende oder beschädigte Etiketten.
- Lernen Sie, wie man die Maschine bedient, wie man die Kontrollen richtig vornimmt.
- Verwenden Sie Ihre Maschine in einer geeigneten Arbeitsumgebung.
- Unsachgemäße Änderungen an Ihrer Maschine haben negative Auswirkungen auf den sicheren Betrieb und die Lebensdauer Ihrer Maschine.
- Der Hersteller ist nicht verantwortlich für die Folgen des Betriebs der Maschine außerhalb der angegebenen Bedingungen.

Stromschlag Tödlich



Stellen Sie sicher, dass die Installationsverfahren den nationalen elektrischen Normen und anderen relevanten Vorschriften entsprechen und dass die Maschine von.

- Tragen Sie trockene und robuste isolierte Handschuhe und eine Arbeitsschürze. Verwenden Sie niemals nasse oder beschädigte Handschuhe und Arbeitsschürzen.
- Tragen Sie flammhemmende Schutzkleidung gegen die Gefahr von Verbrennungen. Die vom Bediener getragene Kleidung muss gegen Funken, Spritzer und Lichtbogenstrahlung geschützt sein.
- Arbeiten Sie nicht allein. Vergewissern Sie sich, dass es in Ihrem Arbeitsumfeld jemanden gibt, an den Sie sich im Falle einer Gefahr wenden können.
- Berühren Sie die Elektrode nicht mit bloßen Händen. Achten Sie darauf, dass die Elektrodenklemme oder die Elektrode nicht mit einer Person oder einem geerdeten Gegenstand in Berührung kommt.
- Berühren Sie niemals stromführende Teile.
- Berühren Sie niemals die Elektrode, wenn Sie mit der Elektrode mit der Arbeitsfläche, dem Boden oder einer anderen Maschine verbunden sind.
- Schützen Sie sich vor möglichen elektrischen Schlägen, indem Sie sich von der Arbeitsfläche und dem Boden isolieren. Verwenden Sie nicht brennbares, elektrisch isolierendes, trockenes und unbeschädigtes Isoliermaterial, das groß genug ist, um den Kontakt des Bedieners mit der Arbeitsfläche zu verhindern.
- Schließen Sie nicht mehr als eine Elektrode an die Elektrodenzange an.
- Schließen Sie die Erdungszange so nah wie möglich an das Werkstück oder den Werkstisch an, so dass ein guter Metall-Metall-Kontakt besteht.

- Überprüfen Sie den Brenner, bevor Sie die Maschine starten. Vergewissern Sie sich, dass der Brenner und seine Kabel in gutem Zustand sind. Ersetzen Sie immer einen beschädigten, abgenutzten Brenner.
- Berühren Sie nicht die Elektrodenzange, die an 2 verschiedene Geräte gleichzeitig angeschlossen ist, da sonst ein doppelte Leerlaufspannung entsteht.
- Schalten Sie die Maschine aus, wenn sie nicht benutzt wird, und ziehen Sie die Kabel ab.
- Ziehen Sie alle Stromanschlüsse und/oder Anschlussstecker ab oder schalten Sie die Maschine aus, bevor Sie sie reparieren.
- Seien Sie vorsichtig, wenn Sie ein langes Netzkabel verwenden.
- Stellen Sie sicher, dass alle Anschlüsse fest, sauber und trocken sind.
- Stellen Sie sicher, dass die Kabel trocken, sauber und fettfrei sind. Schützen Sie sich vor heißen Metallteilen und Funken.
- Unisolierte, blanke Kabel stellen eine tödliche Gefahr dar. Überprüfen Sie alle Kabel regelmäßig auf mögliche Schäden. Wenn Sie ein beschädigtes oder nicht isoliertes Kabel finden, reparieren oder ersetzen Sie es sofort.
- Wenn die Erdungszange nicht mit dem Werkstück verbunden ist, isolieren Sie sie, um den Kontakt mit einem Metallgegenstand zu vermeiden.
- Stellen Sie sicher, dass die Stromleitung korrekt geerdet ist.
- Verwenden Sie die AC-Schweißsteckdose nicht in nassen, feuchten oder beengten Räumen und an Orten, an denen die Gefahr eines Sturzes besteht.
- Verwenden Sie den AC-Ausgang nur, wenn er für den Schweißprozess erforderlich ist.
- Wenn Sie einen Wechselstromausgang benötigen, verwenden Sie die Fernbedienung, falls Ihre Maschine mit einer solchen ausgestattet ist.

Treffen Sie besondere Sicherheitsvorkehrungen, wenn eine der folgenden elektrisch gefährlichen Bedingungen vorliegt;

- Wenn Sie sich an feuchten Orten aufhalten oder nasse Kleidung tragen,
- Wenn Sie sich auf Metallböden, Gitterrosten oder Gerüsten befinden,
- In beengten Positionen wie dem Sitzen, Knien oder Liegen,
- Wenn das Risiko eines Kontakts mit dem Werkstück oder dem Boden hoch oder unvermeidbar ist. Die folgenden Geräte können in diesen Fällen verwendet werden;
- Halbautomatisches DC-Konstantspannungs (CV) MIG - Schweißmaschine,
- DC-Handschweißmaschine mit ummantelter Elektrode,
- Gleich- oder Wechselstromschweißmaschine mit niedriger Leerlaufspannung (VRD), falls vorhanden.

Was Sie im Falle eines Stromschlags tun müssen



- Schalten Sie den Strom ab.
- Zur Rettung des Opfers vor einem Stromschlag durch stromführende Kabel oder Teile Verwenden Sie nicht-leitende Materialien wie trockenes Holz.
- Rufen Sie den Notdienst an.

Wenn Sie eine Erste-Hilfe-Ausbildung haben;

- Wenn die Person nicht atmet, führen Sie sofort eine Herz-Lungen-Wiederbelebung (HLW) durch, nachdem der Kontakt mit der Stromquelle unterbrochen ist. Setzen Sie die HLW fort, bis die Atmung einsetzt oder Hilfe eintrifft.
- Wenn ein automatischer elektronischer Defibrillator (AED) zur Verfügung steht, verwenden Sie ihn wie vorgeschrieben.
- Behandeln Sie eine elektrische Verbrennung wie eine thermische Verbrennung, indem Sie eine kalte Kompresse anlegen. Vermeiden Sie eine Infektion und decken Sie sie mit einem sauberen, trockenen Tuch ab.

Bewegliche Teile können Verletzungen verursachen



- Halten Sie sich von sich bewegenden Objekten fern.
- Halten Sie alle Abdeckungen, Verkleidungen, Türen usw. von Maschinen und Geräten geschlossen und verriegelt.
- Tragen Sie Schuhe mit Metallkappen, falls schwere Gegenstände herunterfallen.

Dämpfe und Gase können schädlich für Ihre Gesundheit sein



Längeres Einatmen von Dämpfen und Gasen, die beim Schweißen und Schneiden entstehen, ist sehr gefährlich

- Brennen und Reizungen der Augen, der Nase und des Rachens sind Symptome einer schlechten Belüftung. Erhöhen Sie in einem solchen Fall sofort die Belüftung und stellen Sie das Schweißen/Schneiden ein, wenn das Problem weiterhin besteht.
- Sorgen Sie für ein natürliches oder künstliches Belüftungssystem im Arbeitsbereich.

- Verwenden Sie beim Schweißen/Schneiden ein geeignetes Rauchabzugssystem. Installieren Sie gegebenenfalls ein System, das die in der gesamten Werkstatt angesammelten Dämpfe und Gase absaugen kann. Verwenden Sie ein geeignetes Filtersystem, um eine Verschmutzung der Umwelt beim Ablassen zu vermeiden.
- Wenn Sie in engen und geschlossenen Räumen arbeiten oder Blei, Beryllium, Kadmium, Zink, beschichtete oder lackierte Materialien schweißen, verwenden Sie zusätzlich zu den oben genannten Vorsichtsmaßnahmen Masken, die für frische Luft sorgen.
- Wenn Gasflaschen in einem separaten Bereich untergebracht sind, sorgen Sie dafür, dass diese Bereiche gut belüftet sind, halten Sie die Hauptventile geschlossen, wenn die Gasflaschen nicht in Gebrauch sind, und achten Sie auf Gaslecks.
- Schutzgase wie Argon sind dichter als Luft und können bei der Verwendung in geschlossenen Räumen anstelle von Luft eingeatmet werden. Dies ist gefährlich für Ihre Gesundheit.
- Führen Sie keine Schweiß-/Schneidearbeiten in Gegenwart von Chlorkohlenwasserstoffdämpfen aus Schmier- oder Lackierprozessen durch.
- Einige geschweißte/geschnittene Teile erfordern eine besondere Belüftung. Die Sicherheitsvorschriften für Produkte, die eine besondere Belüftung erfordern, sollten Sie sorgfältig lesen. In Fällen, in denen eine Gasmasken erforderlich ist, muss die entsprechende Gasmasken getragen werden.

Spritzwasser und Lichtbogen können schädlich für Ihre Augen und Haut sein



- Um Ihre Augen und Ihr Gesicht zu schützen, tragen Sie eine standardisierte Schutzmaske und einen geeigneten Glasfilter.
- Schützen Sie andere exponierte Körperteile (Arme, Hals, Ohren usw.) durch geeignete Schutzkleidung vor Spritzern und Lichtbogenstrahlen.
- Schließen Sie Ihren Arbeitsbereich mit flammensicheren Abschirmungen über Augenhöhe ab und hängen Sie Warnschilder auf, um die Menschen in Ihrer Umgebung vor Lichtbögen und heißen Metallen zu schützen.
- Sie wird nicht zum Heizen von gefrorenen Rohren verwendet. Dieses Verfahren mit einem Schweiß-/Schneidegerät kann zu Explosionen, Feuer oder Schäden an Ihrer Anlage führen.

Funken und Spritzer können Ihre Augen verletzen



- Arbeiten wie Schweißen/Schneiden, Oberflächenschleifen, Bürsten usw. verursachen Funken und Spritzer von Metallpartikeln. Tragen Sie eine zugelassene Arbeitsschutzbrille mit Kantenschutz unter der Schutzmaske, um mögliche Verletzungen zu vermeiden.

Heiße Teile können schwere Verbrennungen verursachen



- Berühren Sie heiße Teile nicht mit bloßen Händen.
- Lassen Sie die Maschinenteile abkühlen, bevor Sie an ihnen arbeiten.
- Wenn Sie mit heißen Teilen hantieren müssen, verwenden Sie geeignete Werkzeuge, Schweiß-/Schneidhandschuhe mit hoher Wärmedämmung und feuerfeste Kleidung.

Lärm kann Ihr Gehör schädigen



- Der von einigen Maschinen und Prozessen erzeugte Lärm kann Ihr Gehör schädigen.
- Wenn der Lärmpegel hoch ist, tragen Sie einen zugelassenen Gehörschutz.

Schweißdraht kann zu Verletzungen führen



- Richten Sie den Brenner beim Abwickeln der Schweißdrahtspule nicht auf einen Körperteil, andere Personen oder Metall.
- Wenn Sie den Schweißdraht mit der Hand von der Spule abwickeln, vor allem bei dünnen Durchmessern, kann der Draht wie eine Feder aus Ihrer Hand fliegen und Sie oder andere Personen in Ihrer Umgebung verletzen, schützen Sie dabei besonders Ihre Augen und Ihr Gesicht.

Schweißen / Schneiden kann zu Bränden und Explosionen führen



- Schweißen / schneiden Sie niemals in der Nähe von brennbaren Materialien. Es kann zu Bränden oder Explosionen kommen.
- Bevor Sie mit dem Schweißen/Schneiden beginnen, entfernen Sie diese Materialien aus der Umgebung oder decken Sie sie mit Schutzabdeckungen ab, um zu verhindern, dass sie brennen und sich entzünden.
- In diesen Bereichen gelten besondere nationale und internationale Vorschriften.

- Schweißen/schneiden Sie keine vollständig verschlossenen Rohre oder Leitungen.
- Öffnen, entleeren, belüften und reinigen Sie Rohre und geschlossene Behälter vor dem Schweißen/Schneiden vollständig. Gehen Sie beim Schweißen/Schneiden an solchen Stellen mit größtmöglicher Sorgfalt vor.
- Schweißen / schneiden Sie nicht, auch nicht im leeren Zustand, an Rohren und Schläuchen, die zuvor Stoffe enthielten, die Explosionen, Feuer oder andere Reaktionen verursachen können.
- Während des Schweiß-/Schneidevorgangs entstehen hohe Temperaturen. Stellen Sie es daher nicht auf Oberflächen, die leicht verbrannt oder beschädigt werden können!

- Funken und umherfliegende Splitter können einen Brand verursachen. Bewahren Sie daher Materialien wie Feuerlöschschläuche, Wasser und Sand griffbereit auf.
- Verwenden Sie Rückflussverhinderer, Gasregler und Ventile für entflammbare, explosive und unter Druck stehende Gaskreisläufe. Stellen Sie sicher, dass diese regelmäßig überprüft werden und ordnungsgemäß funktionieren.

Wartung von Maschinen und Geräten durch Unbefugte kann Verletzungen verursachen

- Elektrische Anlagen dürfen nicht von Unbefugten repariert werden. Infolge von hier möglicherweise begangenen Fehlern können Explosionen auftreten und Benutzer können schwer verletzt werden.
- Die Gaskreiselemente arbeiten unter Druck; die Wartung durch Unbefugte kann zu Explosionen und schweren Verletzungen der Benutzer führen.
- Es wird empfohlen, die Maschine und ihre Nebenaggregate mindestens einmal pro Jahr technisch zu warten.



Schweißen / Schneiden in kleinen Räumen mit begrenztem Volumen

- Führen Sie Schweiß-/Schneidearbeiten in kleinen Mengen und engen Räumen immer in Anwesenheit einer anderen Person durch.
- Vermeiden Sie Schweiß- und Schneidarbeiten in solchen geschlossenen Räumen so weit wie möglich.



Die Nichtbeachtung der notwendigen Vorsichtsmaßnahmen beim Transport kann zu Unfällen führen

- Treffen Sie alle notwendigen Vorsichtsmaßnahmen, wenn Sie das Gerät transportieren. Die Bereiche, wohin transportiert wird, die beim Transport eingesetzten Gegenstände und die körperliche Verfassung und Gesundheit der Person, die den Transport durchführt, müssen für den Transportvorgang geeignet sein.
- Einige Maschinen sind extrem schwer, so dass beim Umzug die notwendigen Sicherheitsvorkehrungen für die Umwelt getroffen werden müssen.
- Wenn die Maschine von einer Plattform aus benutzt werden soll, muss geprüft werden, ob die Plattform über geeignete Tragfähigkeitsgrenzen verfügt.
- Wenn die Maschine mit Hilfe eines Fahrzeugs (Wagen, Gabelstapler usw.) transportiert werden soll, vergewissern Sie sich, dass das Fahrzeug und die Verbindungspunkte, die die Maschine mit dem Fahrzeug verbinden (Tragegurt, Gurt, Schraube, Mutter, Rad usw.), stabil sind.
- Wenn Sie die Maschine von Hand transportieren müssen, vergewissern Sie sich, dass die Geräte (Tragegurt, Gürtel usw.) und die Anschlüsse sicher sind.
- Um die notwendigen Transportbedingungen zu gewährleisten, beachten Sie die Regeln der Internationalen Arbeitsorganisation zum Transportgewicht und die in Ihrem Land geltenden Transportvorschriften.
- Benutzen Sie immer die Griffe oder Trageschlaufen, wenn Sie das Netzteil an einen anderen Ort bringen. Ziehen Sie niemals am Brenner, am Kabel oder an den Schläuchen. Tragen Sie Gasflaschen immer separat.
- Entfernen Sie vor dem Transport von Schweiß-/Schneidegeräten alle Verbindungen, heben Sie sie an und transportieren Sie sie einzeln, kleine Geräte an den Griffen, große Geräte an den Trageringen oder mit einem geeigneten Hebezeug wie einem Gabelstapler.



Fallende Bruchstücke können zu Verletzungen führen

Eine unsachgemäße Positionierung des Netzteils oder anderer Geräte kann zu schweren Verletzungen und Sachschäden an anderen Gegenständen führen.

- Stellen Sie Ihre Maschine auf Böden und Plattformen mit einer maximalen Neigung von 10°, damit sie nicht herunterfällt oder umkippt. Bevorzugen Sie Bereiche, die den Materialfluss nicht behindern, in denen keine Gefahr besteht, über Kabel und Schläuche zu stolpern, die unbeweglich sind, sondern große, gut belüftete, staubfreie Bereiche. Um zu verhindern, dass die Gasflaschen umkippen, befestigen Sie sie in Maschinen mit einer für die Flasche geeigneten Gasplattform auf der Plattform und befestigen Sie sie mit einer Kette an der Wand, damit sie bei festem Gebrauch nicht umkippen.
- Ermöglichen Sie den Bedienern einen einfachen Zugriff auf die Einstellungen und Anschlüsse des Geräts.



Übermäßiger Gebrauch führt zur Überhitzung der Maschine



- Lassen Sie das Gerät entsprechend den Betriebszyklen abkühlen.
- Verringern Sie den Strom oder die Einschaltdauer, bevor Sie wieder mit dem Schweißen/Schneiden beginnen.
- Blockieren Sie nicht die Belüftungsöffnungen der Maschine.
- Installieren Sie keine Filter in den Belüftungsöffnungen der Maschine ohne die Genehmigung des Herstellers.

DE

Lichtbogenschweißen kann elektromagnetische Interferenzen verursachen



Diese Maschine entspricht nicht der IEC 61000 -3 - 12. Wenn die Maschine an das in Haushalten verwendete Niederspannungsnetz angeschlossen werden soll, muss der Installateur, der den elektrischen Anschluss vornimmt, oder die Person, die die Maschine benutzen wird, über die Anschlussfähigkeit der Maschine informiert werden; in diesem Fall liegt die Verantwortung beim Benutzer.

- Diese Maschine ist Gruppe 2, Klasse A in den EMV-Tests gemäß der Norm TS EN 55011.
- Diese Maschine der Klasse A ist nicht für die Verwendung in Wohngebieten bestimmt, in denen die Stromversorgung über das Niederspannungsnetz zustande kommt. Möglicherweise gibt es Schwierigkeiten bei der Gewährleistung der elektromagnetischen Kompatibilität aufgrund von Hochfrequenzstörungen, die an solchen Orten übertragen und abgestrahlt werden.
- Stellen Sie sicher, dass der Arbeitsbereich die elektromagnetische Verträglichkeit (EMV) erfüllt. Elektromagnetische Störungen beim Schweißen/Schneiden können unerwünschte Auswirkungen auf Ihre elektronischen Geräte und das Stromnetz haben. Der Benutzer ist für die Auswirkungen verantwortlich, die durch diese Störungen während des Betriebs verursacht werden können.
- Falls Störungen auftreten, können zusätzliche Maßnahmen ergriffen werden, um die Einhaltung der Vorschriften zu gewährleisten, z. B. die Verwendung kurzer Kabel, die Verwendung abgeschirmter (gepanzelter) Kabel, die Verlegung der Maschine, die Entfernung von Kabeln aus dem betroffenen Gerät und/oder Bereich, die Verwendung von Filtern oder der EMV-Schutz des Arbeitsbereichs.
- Um mögliche EMV-Schäden zu vermeiden, sollten Sie Schweiß- und Schneidarbeiten so weit wie möglich (100 m) von Ihren empfindlichen elektronischen Geräten entfernt durchführen.
- Vergewissern Sie sich, dass Ihre Maschine in Übereinstimmung mit der Bedienungsanleitung aufgestellt und positioniert ist.

Bewertung der Gemäß elektromagnetischen Verträglichkeit des Arbeitsbereichs

IEC 60974-9 Abschnitt 5.2.;

Vor der Installation eines Schweiß-/Schneidegeräts muss der Betreiber und/oder der Benutzer eine Prüfung auf mögliche elektromagnetische Störungen in der Umgebung durchführen. Die folgenden Bedingungen müssen beachtet werden.



- Andere Versorgungskabel, Steuerkabel, Signal- und Telefonkabel über, unter und neben dem Schweiß-/Schneidegerät und der Ausrüstung,
- Radio- und Fernsehsender und -empfänger,
- Computer und andere Kontrollgeräte,
- Kritische Sicherheitsausrüstung, z.B. Schutz von Industrieanlagen,
- Medizinische Geräte von Menschen in der Nachbarschaft, z.B. Herzschrittmacher und Hörgeräte,
- Geräte, die zur Messung oder Kalibrierung verwendet werden,
- Störfestigkeit von anderen Geräten in der Umgebung. Der Benutzer muss sicherstellen, dass andere in der Umgebung verwendete Geräte kompatibel sind. Dies kann zusätzliche Schutzmaßnahmen erfordern,
- Die Grenzen des Inspektionsbereichs können je nach Größe der Umgebung, der Gebäudestruktur und anderen Aktivitäten im Gebäude erweitert werden, wobei die Tageszeit, zu der der Schweiß-/Schneidevorgang durchgeführt wird, berücksichtigt wird.

Neben der Bewertung des Gebiets kann auch die Bewertung der Geräteinstallationen für die Behebung der Störung erforderlich sein. Falls erforderlich, können auch Messungen vor Ort durchgeführt werden, um die Effizienz von Minderungsmaßnahmen zu bestätigen.

(Quelle: IEC 60974-9).

Methoden zur Reduzierung von Parasiten



- Das Gerät muss wie empfohlen und von einer autorisierten Person an das Stromnetz angeschlossen werden. Falls Störungen auftreten, können zusätzliche Maßnahmen wie die Filterung des Netzes angewendet werden. Die Versorgung von fest montierten Lichtbogenschweißgeräten muss über ein Metallrohr oder ein gleichwertiges abgeschirmtes Kabel erfolgen. Das Display und das Gehäuse des Netzteils müssen miteinander verbunden sein und es muss ein guter elektrischer Kontakt zwischen den beiden Strukturen bestehen.

- Die empfohlene routinemäßige Wartung des Geräts muss durchgeführt werden. Wenn das Gerät in Gebrauch ist, müssen alle Luken der Motorhaube geschlossen und/oder verriegelt sein. Ohne schriftliche Genehmigung des Herstellers dürfen keine Änderungen oder Modifikationen am Gerät vorgenommen werden, die über die Standardeinstellungen hinausgehen. Andernfalls ist der Benutzer für die Folgen verantwortlich, die daraus entstehen können.
- Schweiß-/Schneidekabel sollten so kurz wie möglich gehalten werden. Sie müssen sich nebeneinander auf dem Boden des Arbeitsbereichs bewegen. Schweiß-/Schneidekabel dürfen in keiner Weise aufgewickelt werden.
- Beim Schweißen/Schneiden wird in der Maschine ein Magnetfeld erzeugt. Dies kann dazu führen, dass das Gerät Metallteile auf sich zieht. Um diese Anziehungskraft zu verhindern, stellen Sie sicher, dass metallische Materialien in einem sicheren Abstand gehalten oder gesichert werden. Der Bediener muss von all diesen miteinander verbundenen Metallmaterialien isoliert sein.
- Wenn das Werkstück aus Gründen der elektrischen Sicherheit oder aufgrund seiner Größe und Lage nicht geerdet ist (z. B. bei der Herstellung von Schiffsrümpfen oder im Stahlbau), kann eine Verbindung zwischen Werkstück und Erde in einigen Fällen die Emissionen verringern. Beachten Sie, dass die Erdung des Werkstücks zu Verletzungen der Benutzer oder zu Fehlfunktionen anderer elektrischer Geräte in der Umgebung führen kann. Wo es erforderlich ist, kann die Verbindung zwischen Werkstück und Erde als Direktverbindung hergestellt werden, aber in einigen Ländern, in denen eine Direktverbindung nicht zulässig ist, kann die Verbindung mit geeigneten Kapazitätselementen gemäß den örtlichen Vorschriften und Bestimmungen hergestellt werden.
- Abschirmung und Umhüllung anderer Geräte und Kabel im Arbeitsbereich können helfen, störende Effekte zu vermeiden. Die Abschirmung der gesamten Schweiß-/Schneidezone kann für einige spezielle Anwendungen in Betracht gezogen werden.

Elektronenmagnetisches Feld (EMF)



Elektrischer Strom, der durch einen Leiter fließt, erzeugt lokalisierte elektrische und magnetische Felder (EMF).

Bediener sollten die folgenden Verfahren befolgen, um das Risiko einer EMF-Exposition zu minimieren;

- Um das Magnetfeld zu reduzieren, sollten Schweiß-/Schneidekabel so weit wie möglich zusammengeführt und mit Verbindungsmaterialien (Kleband, Kabelbinder usw.) gesichert werden.
- Der Oberkörper und der Kopf des Bedieners sollten so weit wie möglich von der Schweiß-/Schneidemaschine und den Kabeln entfernt gehalten werden,
- Schweiß-/Schneide- und Elektrokabel dürfen in keiner Weise um den Körper gewickelt werden,
- Der Körper darf nicht zwischen den Schweiß-/Schneidekabeln eingeklemmt werden. Beide Schweiß-/Schneidekabel sollten nebeneinander und vom Körper entfernt verlegt werden,
- Das Rücklaufkabel muss so nah wie möglich am Schweiß-/Schneidebereich an das Werkstück angeschlossen werden,
- Lehnen Sie sich nicht gegen das Aggregat, setzen Sie sich nicht darauf und arbeiten Sie nicht zu nahe daran,
- Beim Transport des Aggregats oder der Drahtvorschubeinheit darf nicht geschweißt / geschnitten werden.

EMF können auch die Funktion von medizinischen Implantaten (Material, das in den Körper eingesetzt wird) wie Herzschrittmachern beeinträchtigen. Für Menschen mit medizinischen Implantaten müssen Schutzmaßnahmen getroffen werden. So kann beispielsweise der Zugang für Passanten eingeschränkt werden oder es können individuelle Risikobewertungen für die Betreiber vorgenommen werden. Bei Benutzern mit medizinischen Implantaten sollte eine Risikobewertung und Empfehlung durch einen Arzt erfolgen.

Schutz



- Setzen Sie das Gerät nicht Regen, Spritzwasser oder unter Druck stehendem Dampf aus.

Energie-Effizienz



- Wählen Sie die Methode und die Maschine, die für den Schweiß-/Schneidevorgang geeignet sind, den Sie durchführen möchten.
- Wählen Sie den Strom und / oder die Spannung, die für das Material und die Dicke des zu schweißenden / schneidenden Materials geeignet sind.
- Wenn Sie längere Zeit ohne Schweißen/Schneiden warten, schalten Sie die Maschine aus, nachdem der Ventilator die Maschine abgekühlt hat. Unsere Maschinen mit intelligenter Lüftersteuerung stoppen von selbst.

Abfallverfahren

- Diese Maschine ist kein Hausmüll. Sie muss im Rahmen der Richtlinie der Europäischen Union und des nationalen Rechts auf das Recycling ausgerichtet sein.
- Informieren Sie sich bei Ihrem Händler und bei autorisierten Personen über die Entsorgung Ihrer gebrauchten Maschine.

GARANTIEFORMULAR

DE



Bitte besuchen Sie unsere Website www.magmaweld.com/warranty-form/wr für das Garantieformular.

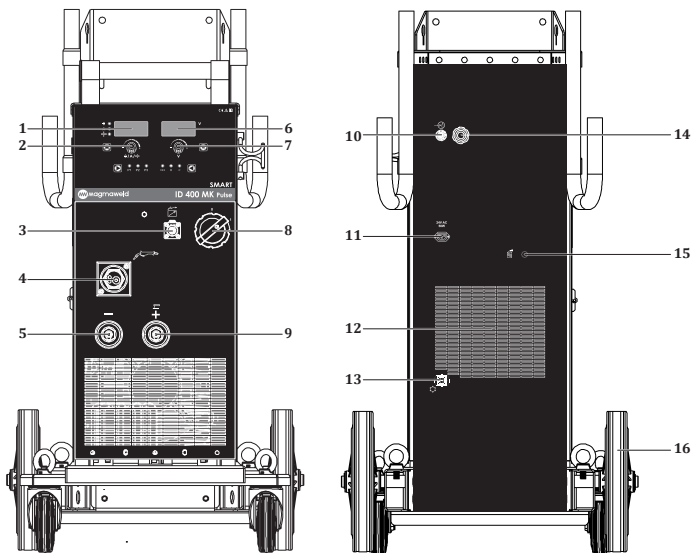
TECHNISCHE DATEN

1.1 Allgemeine Erläuterungen

ID 300 MK / MKW PULSE SMART, ID 400 MK / MKW PULSE SMART ist ein dreiphasiges MIG / MAG- Industrie-Inverter-Schweißgerät mit Pulse-Technologie, das für schwere Bedingungen ausgelegt ist. Es bietet eine einfache Bewegung mit seiner kompakten Struktur. Es hat hervorragende Schweißigenschaften mit allen Massiv- und Fülldrähten. CC/CV-Netzteil; Es ermöglicht Ihnen, MIG-, WIG-, E-Hand-Schweißverfahren und Kohlenstoffschneiden mit einer einzigen Maschine durchzuführen. Dank seiner synergetischen Funktion werden Schweißstrom und -spannung automatisch angepasst, nachdem Drahttyp, Dicke und Gasart bestimmt wurden. Der klassische und der intelligente Modus erleichtern dem Benutzer die Anpassung an den synergetischen Modus.

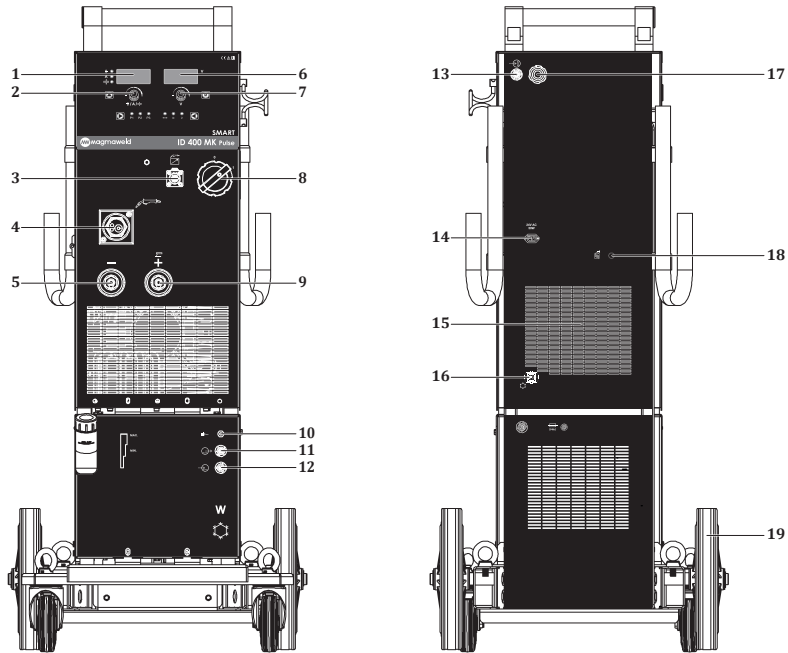
DE

1.2 Maschinenkomponenten



**Figur 1 : ID 300 MK PULSE SMART / ID 400 MK PULSE SMART
Vorder- und Rückansicht**

- | | |
|----------------------|------------------------------------|
| 1- Digitales Display | 9- Elektrode (+) Polanschluss |
| 2- Einstelltopf | 10- Gaseintritt |
| 3- Datenbuchse | 11- Heizungssteckdose |
| 4- Brenneranschluss | 12- Ventilator |
| 5- Polanschluss | 13- Wassereinheit Energiesteckdose |
| 6- Digitales Display | 14- Netzkabel |
| 7- Einstelltopf | 15- Kanister-Drahteintritt |
| 8- Ein/Aus-Schalter | 16- Rad |



**Figur 2 : ID 300 MKW PULSE SMART / ID 400 MKW PULSE SMART
Vorder- und Rückansicht**

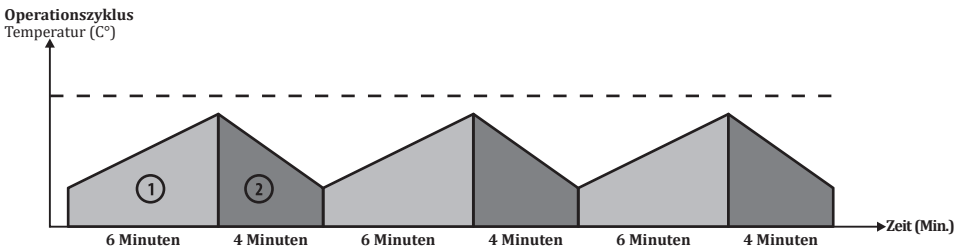
- | | |
|-------------------------------|-------------------------------------|
| 1- Digitales Display | 11- Warmwasserzulauf Wassereinheit |
| 2- Einstelltopf | 12- Kaltwasserausgang Wassereinheit |
| 3- Datenbuchse | 13- Gaseintritt |
| 4- Brenneranschluss | 14- Heizungssteckdose |
| 5- Polanschluss | 15- Ventilator |
| 6- Digitales Display | 16- Wassereinheit Energiesteckdose |
| 7- Einstelltopf | 17- Netzkabel |
| 8- Ein/Aus-Schalter | 18- Kanister-Drahteintritt |
| 9- Elektrode (+) Polanschluss | 19- Rad |
| 10- Wassereinheit-Led | |

1.3 Produktkennzeichnung

MAGMA MEKATRONIK MAKİNE SAN. VE TİC. A.Ş. Organize Sanayi Bölgesi 5.Kısım Manisa-TÜRKİYE											
ID 300MK Pulse SMART					S/N:						
					EN 60974-1 / EN 60974-10 Class A						
	---	50A / 22V - 300A / 32V					---	50A / 16.5V - 300A / 29V			
		X _(400C)	40%	60%	100%			X _(400C)	40%	60%	100%
	U _s =82V	I _s	300A	245A	190A		U _s =82V	I _s	300A	245A	190A
		U _s	32V	29.8V	27.6V			U _s	29V	26.2V	23.5V
	U _i =400V	I _{max} = 23.2A	I _{ref} = 14.7A		U _i =400V	I _{max} = 21.3A	I _{ref} = 13.5A				
IP21S											
MAGMA MEKATRONIK MAKİNE SAN. VE TİC. A.Ş. Organize Sanayi Bölgesi 5.Kısım Manisa-TÜRKİYE											
ID 300MKW Pulse SMART					S/N:						
					EN 60974-1 / EN 60974-10 Class A						
	---	50A / 22V - 300A / 32V					---	50A / 16.5V - 300A / 29V			
		X _(400C)	40%	60%	100%			X _(400C)	40%	60%	100%
	U _s =82V	I _s	300A	245A	190A		U _s =82V	I _s	300A	245A	190A
		U _s	32V	29.8V	27.6V			U _s	29V	26.2V	23.5V
	U _i =400V	I _{max} = 23.2A	I _{ref} = 14.7A		U _i =400V	I _{max} = 21.3A	I _{ref} = 13.5A				
IP21S											
MAGMA MEKATRONIK MAKİNE SAN. VE TİC. A.Ş. Organize Sanayi Bölgesi 5.Kısım Manisa-TÜRKİYE											
ID 400MK Pulse SMART					S/N:						
					EN 60974-1 / EN 60974-10 Class A						
	---	50A / 22V - 400A / 36V					---	50A / 16.5V - 400A / 34V			
		X _(400C)	40%	60%	100%			X _(400C)	40%	60%	100%
	U _s =82V	I _s	400A	327A	253A		U _s =82V	I _s	400A	327A	253A
		U _s	36V	33.1V	30.1V			U _s	34V	30.3V	26.6V
	U _i =400V	I _{max} = 33.5A	I _{ref} = 21.2A		U _i =400V	I _{max} = 32.1A	I _{ref} = 20.3A				
IP21S											
MAGMA MEKATRONIK MAKİNE SAN. VE TİC. A.Ş. Organize Sanayi Bölgesi 5.Kısım Manisa-TÜRKİYE											
ID 400MKW Pulse SMART					S/N:						
					EN 60974-1 / EN 60974-10 Class A						
	---	50A / 22V - 400A / 36V					---	50A / 16.5V - 400A / 34V			
		X _(400C)	40%	60%	100%			X _(400C)	40%	60%	100%
	U _s =82V	I _s	400A	327A	253A		U _s =82V	I _s	400A	327A	253A
		U _s	36V	33.1V	30.1V			U _s	34V	30.3V	26.6V
	U _i =400V	I _{max} = 33.5A	I _{ref} = 21.2A		U _i =400V	I _{max} = 32.1A	I _{ref} = 20.3A				
IP21S											

DE

	Dreiphasen-Transformator-Gleichrichter	X	Operationszyklus
CC / CV	Konstantstrom / Konstantspannung	U₀	Leerlauf-Betriebsspannung
	Gleichstrom	U₁	Netzspannung und -frequenz
	MIG / MAG-Schweißen	U₂	Nennschweißspannung
	Netzeingang - 3-Phasen-Wechselstrom	I₁	Nennstrom aus dem Netz
	Geeignet für Arbeiten in gefährlichen Umgebungen	I₂	Nennschweißstrom
		S₁	Strom aus dem Netz
		IP21S	Schutzklasse



Wie in EN 60974-1 definiert, umfasst die Betriebszyklusrate eine Zeitspanne von 10 Minuten. Wenn Sie beispielsweise mit 250 A in einer Maschine arbeiten möchten, die mit 250 A bei 60% spezifiziert ist, kann die Maschine in den ersten 6 Minuten des 10-minütigen Zeitraums (1 Zone) ohne Unterbrechung schweißen/schneiden. Die Maschine muss jedoch für die nächsten 4 Minuten im Leerlauf bleiben, um abzukühlen (Zone 2).

1.4 Technische Spezifikationen

TECHNISCHE SPEZIFIKATIONEN		EINHEIT	ID 300 MK/MKW PULSE SMART
Netzspannung (3 Phasen 50-60 Hz)		V	400
Bemessungsleistung (%40)		kVA	14,7
Bereich zur Einstellung des Schweißstroms		ADC	50 - 300
Nennschweißstrom (%40)		ADC	300
Leerlaufspannung		VDC	82
Abmessungen (l x b x h)	MK	mm	1138 x 528 x 837
	MKW		1180 x 528 x 1137
Gewicht	MK	kg	86
	MKW		110
Schutzklasse			IP21S

TECHNISCHE SPEZIFIKATIONEN		EINHEIT	ID 400 MK/MKW PULSE SMART
Netzspannung (3 Phasen 50-60 Hz)		V	400
Bemessungsleistung (%40)		kVA	22,1
Bereich zur Einstellung des Schweißstroms		ADC	50 - 400
Nennschweißstrom (%40)		ADC	400
Leerlaufspannung		VDC	82
Abmessungen (l x b x h)	MK	mm	1138 x 528 x 837
	MKW		1180 x 528 x 1137
Gewicht	MK	kg	86
	MKW		110
Schutzklasse			IP21S

1.5 Zubehör

STANDARDZUBEHÖR	ANZAHL	ID 300 MK/MKW PULSE SMART	ID 400 MK/MKW PULSE SMART
Erdungszange und Kabel	1	7905203505 (35 mm ² - 5 m)	7905305005 (50 mm ² - 5 m)
Gasschlauch	1	7907000002	
MIG/MAG CO ₂ -Zubehörsatz*	1	-	
MIG/MAG-Mischung / Argon-Zubehörsatz*	1	-	

* Muss bei der Bestellung angegeben werden.

OPTIONALES ZUBEHÖR	ANZAHL	ID 300 - 400 MK/MKW PULSE SMART
CO ₂ Heizung	1	7020009003
Gasregulator (CO ₂)	1	7020001005
Gasregulator (Mix)	1	7020001004
Lava MIG 50W (3 m) Wassergekühlter MIG-Brenner	1	7120050003

INSTALLATIONSHINWEISE

2.1 Zu beachtende Punkte beim Empfang

Vergewissern Sie sich, dass alle Materialien, die Sie bestellt haben, eingetroffen sind. Wenn Material fehlt oder beschädigt ist, wenden Sie sich sofort an die Verkaufsstelle.

Die Standardbox enthält :

- Hauptgerät und das daran angeschlossene Netzkabel
- Erdungszange und Kabel
- Gasschlauch
- Garantie-Zertifikat
- Gebrauchsanweisung
- Schweißdraht

Im Falle einer beschädigten Lieferung sollten Sie ein Protokoll führen, den Schaden fotografieren und ihn zusammen mit einer Fotokopie des Lieferscheins dem Transportunternehmen melden. Wenn das Problem weiterhin besteht, wenden Sie sich an den Kundendienst.

Symbole auf dem Gerät und ihre Bedeutungen



Der Schweißvorgang birgt Gefahren. Sorgen Sie für geeignete Arbeitsbedingungen und treffen Sie die notwendigen Vorsichtsmaßnahmen. Spezialisierte Personen sind für die Maschine verantwortlich und müssen die notwendige Ausrüstung bereitstellen. Unbeteiligte Personen sollten von der Schweißstelle ferngehalten werden.



Diese Maschine entspricht nicht der IEC 61000-3-12. Wenn die Maschine an das in Haushalten verwendete Niederspannungsnetz angeschlossen werden soll, muss der Installateur, der den elektrischen Anschluss vornimmt, oder die Person, die die Maschine benutzen wird, über die Anschlussfähigkeit der Maschine informiert werden; in diesem Fall liegt die Verantwortung beim Benutzer.



Achten Sie auf die Sicherheitssymbole und Warnhinweise auf der Maschine und in dieser Bedienungsanleitung und entfernen Sie die Aufkleber nicht.



Die Gitter dienen der Belüftung. Die Öffnungen dürfen nicht abgedeckt werden, um eine gute Kühlung zu gewährleisten, und es dürfen keine Fremdkörper hineingelassen werden.

2.2 Empfehlungen für Installation und Betrieb

- Zum Bewegen der Maschine sollten Hebeösen oder Gabelstapler verwendet werden. Heben Sie das Gerät nicht mit der Gasflasche an. Beim manuellen Tragen von tragbaren Schweißgeräten müssen Maßnahmen gemäß den Vorschriften zum Arbeitsschutz ergriffen werden. Am Arbeitsplatz müssen die notwendigen Vorkehrungen getroffen werden, um sicherzustellen, dass der Transportvorgang so weit wie möglich unter Einhaltung der Gesundheits- und Sicherheitsbedingungen durchgeführt wird. Entsprechend den Merkmalen der Arbeitsumgebung und den Anforderungen des Arbeitsplatzes sollten Vorkehrungen getroffen werden. Stellen Sie die Maschine auf eine harte, ebene und glatte Oberfläche, wo sie nicht herunterfallen oder umkippen kann
- Wenn die Umgebungstemperatur 40°C übersteigt, lassen Sie die Maschine mit einem niedrigeren Strom oder einer niedrigeren Taktfrequenz laufen.
- Vermeiden Sie das Schweißen im Freien bei Wind und Regen. Wenn in solchen Situationen geschweißt werden muss, schützen Sie den Schweißbereich und das Schweißgerät mit Vorhängen und Markisen.
- Achten Sie bei der Aufstellung des Geräts darauf, dass Materialien wie Wände, Vorhänge, Verkleidungen usw. den einfachen Zugang zu den Bedienelementen und Anschlüssen der Maschine nicht behindern.
- Wenn Sie in geschlossenen Räumen schweißen, verwenden Sie eine geeignete Rauchabsauganlage. Wenn die Gefahr des Einatmens von Schweißdämpfen und -gasen in geschlossenen Räumen besteht, verwenden Sie ein Atemschutzgerät.
- Beachten Sie die auf dem Produktetikett angegebenen Betriebszyklen. Häufiges Überschreiten der Betriebszyklen kann die Maschine beschädigen und zum Erlöschen der Garantie führen.
- Das Versorgungskabel muss entsprechend dem angegebenen Sicherungswert verwendet werden.
- Schließen Sie das Erdungskabel so nah wie möglich an den Schweißbereich an. Achten Sie darauf, dass der Schweißstrom nicht durch andere Elemente als die Schweißkabel fließt, z. B. durch die Maschine selbst, die Gasflasche, die Kette oder das Lager.

2.3 Schweißanschlüsse

2.3.1 Netzsteckeranschluss



Verwenden Sie zu Ihrer Sicherheit niemals das Netzkabel des Geräts ohne Stecker.

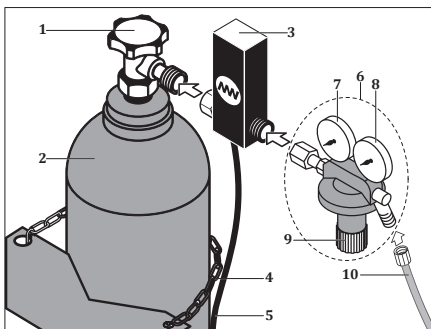
- Ein Stecker ist nicht mit dem Netzkabel verbunden, da in Fabriken, auf Baustellen und in Werkstätten unterschiedliche Steckdosen vorhanden sein können. Ein geeigneter Stecker muss von einem qualifizierten Elektriker an die Steckdose angeschlossen werden. Vergewissern Sie sich, ⚡ dass das Erdungskabel, das mit und in gelber/grüner Farbe markiert ist, vorhanden ist.
- Nachdem Sie den Stecker mit dem Kabel verbunden haben, stecken Sie ihn noch nicht in die Steckdose.

2.3.2 Verbinden der Erdungszange mit dem Werkstück

- Befestigen Sie die Erdungszange fest am Werkstück, so nah wie möglich an der zu schweißenden Stelle.

2.3.3 Gasanschlüsse

- Vergewissern Sie sich, dass der Schlauchanschluss des von Ihnen verwendeten Gasreglers die Größe 3/8 hat.
- Öffnen Sie das Gasflaschenventil, indem Sie Ihren Kopf und Ihr Gesicht vom Auslass des Flaschenventils fernhalten und halten Sie es 5 Sekunden lang geöffnet. Auf diese Weise werden eventuelle Ablagerungen und Schmutz herausgeschleudert.
- Wenn ein CO₂-Heizgerät verwendet werden soll, schließen Sie das CO₂-Heizgerät zunächst an die Gasflasche an. Nachdem Sie den Gasregler an das CO₂-Heizgerät angeschlossen haben, stecken Sie den Stecker des CO₂-Heizgeräts in die CO₂-Heizgerätebuchse an der Rückseite der Maschine.
- Wenn der CO₂-Heizer nicht verwendet werden soll, schließen Sie den Gasregler an die Gasflasche an.
- Schließen Sie das eine Ende des Flaschenschlauchs an den Gasregler an und ziehen Sie die Schelle fest. Schließen Sie das andere Ende an den Gaseinlass auf der Rückseite der Maschine an und ziehen Sie die Mutter fest.
- Öffnen Sie das Ventil der Gasflasche und prüfen Sie, ob die Flasche voll ist und ob es keine Lecks in der Gasleitung gibt. Wenn Sie ein Geräusch hören und/oder einen Gasgeruch riechen, der auf ein Leck hinweist, überprüfen Sie Ihre Anschlüsse und beseitigen Sie das Leck.



- | | |
|--|------------------------------|
| 1- Gasflaschenventil | 6- Gasregulator |
| 2- Gasflasche | 7- Manometer |
| 3- CO ₂ -Heizung | 8- Durchflussmesser |
| 4- Kette | 9- Durchfluss-Einstellventil |
| 5- CO ₂ -Heizungsenergiekabel | 10- Schlauch |

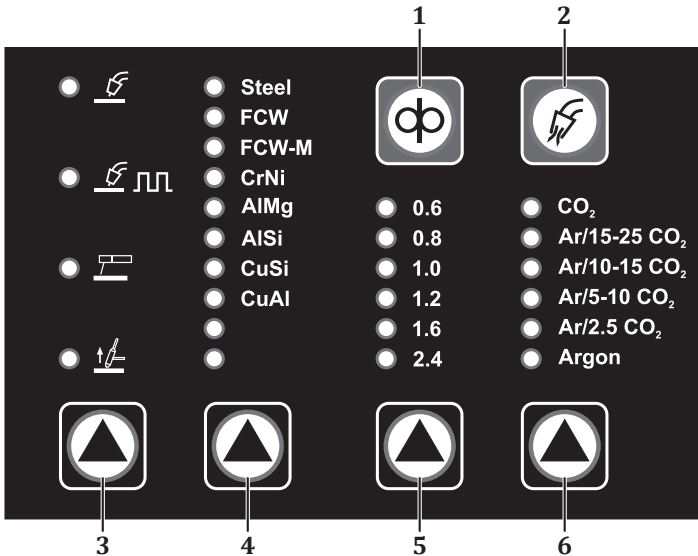
Figur 3 : Anschlüsse zwischen Gasflasche, Heizung und Regler

2.3.4 Wasserkühleinheit

- Die Wasserkühleinheit ist ein geschlossenes Kreislaufsystem, das aus einem Kühler, einem Ventilator, einer Pumpe und einem Kühlmitteltank besteht und zur Kühlung des Brenners dient.
- Verbinden Sie den kalten (blauen) Wasserschlauch des Zwischenpakets mit dem Kaltwasserausgang des Wasserkühlsystems und den heißen (roten) Wasserschlauch mit dem Heißwassereinlass des Wasserkühlsystems.
- Magmaweld-Schweißmaschinen werden mit Magmaweld-Kühlmittel geliefert, das für beste Leistung hergestellt wird. Wenn der Kühlmittelstand niedrig ist, öffnen Sie den Deckel des Kühlmittel tanks und fügen Sie Magmaweld-Kühlmittel hinzu, das für die Temperatur der Arbeitsumgebung geeignet ist. Die Kühlflüssigkeit muss innerhalb der Mindest- und Höchstwerte liegen, die auf der Vorderseite der Maschine angegeben sind.
- Fügen Sie kein anderes Kühlmittel oder Wasser hinzu. Verschiedene flüssige Zusatzstoffe können chemische Reaktionen oder andere Probleme verursachen.
- Magmaweld ist nicht verantwortlich für Risiken, die bei unterschiedlichen Flüssigkeitszusätzen entstehen können. Alle Garantiebestimmungen werden ungültig, wenn dem Magmaweld-Kühlmittel ein anderes Kühlmittel oder Wasser hinzugefügt wird.
- Wenn Sie eine andere Kühlmittelmarke verwenden möchten, muss der Kühlmittelbehälter vollständig entleert sein und es dürfen sich keine Rückstände oder Flüssigkeit darin befinden.
- Wasserkühlgeräte sind nur für Schweißmaschinen der Firma "Magma Mekatronik Makine Sanayi ve Ticaret A.Ş." geeignet. Wasserkühlmaschinen können nicht mit externer Versorgung betrieben werden.

NUTZUNGSINFORMATIONEN

3.1 Einstellungen im Inneren der Tasche



1-) FREIER DRAHT

Solange die Taste gedrückt gehalten wird, wird der Draht angetrieben und das Gasventil funktioniert nicht. Sie können diese Taste verwenden, um den Draht in den Brenner zu treiben.




2-) FREIES GAS


Solange die Taste gedrückt gehalten wird, fließt das Gas, der Drahtantrieb funktioniert nicht. Sie können diese Taste nach dem Gaswechsel verwenden.

3-) AUSWAHL DER SCHWEISSMETHODE



Quellmethode ist ausgewählt. Mit jedem Druck auf die Taste wechseln Sie zwischen den Zeilen der jeweiligen Spalte. Wenn die Quellmethode ausgewählt ist, leuchtet die entsprechende LED.

Einstellbereich



-  • MIG/MAG
-   • Impuls MIG/MAG

 Die Pulserschweißmethode ist nur bei Modellen mit Pulse verfügbar. Bei Modellen ohne Pulse leuchtet die LED nicht, wenn diese Linie erreicht wird und Pulse ist nicht aktiv.

- MMA

  Sie müssen Ihre Anschlüsse und Ihr Zubehör entsprechend der gewählten Schweißmethode anpassen. Vor dem Gerät befindet sich ein separater Anschluss für die MMA-Methode.

- Wolfram-Inertgas-Schweißen

  Bei WIG-Schweißen muss ein geeignetes Gerät für den Anschluss des Brenners verwendet werden. Dank des speziellen Geräts ist es mit dem Euro-Anschluss kompatibel.

4-) AUSWAHL DES DRAHTTYPUS

Die Auswahl des Drahttyps ist getroffen. Der zu verwendende Kabeltyp muss korrekt ausgewählt werden. Mit jedem Druck auf die Taste wechseln Sie zwischen den Zeilen der jeweiligen Spalte. Wenn der Kabeltyp ausgewählt ist, leuchtet die entsprechende LED.

Einstellbereich

- Stahl
- FCW
- FCW-M
- CrNi
- AlMg
- AlSi
- CuSi
- CuAl

5-) AUSWAHL DES DRAHTDURCHMESSERS

Die Auswahl des Drahtdurchmessers ist getroffen. Der zu verwendende Drahtdurchmesser muss richtig gewählt werden. Mit jedem Druck auf die Taste wechseln Sie zwischen den Zeilen der jeweiligen Spalte. Wenn der Drahtdurchmesser ausgewählt ist, leuchtet die entsprechende LED.

Einstellbereich

- 0.6 - 2.4 mm

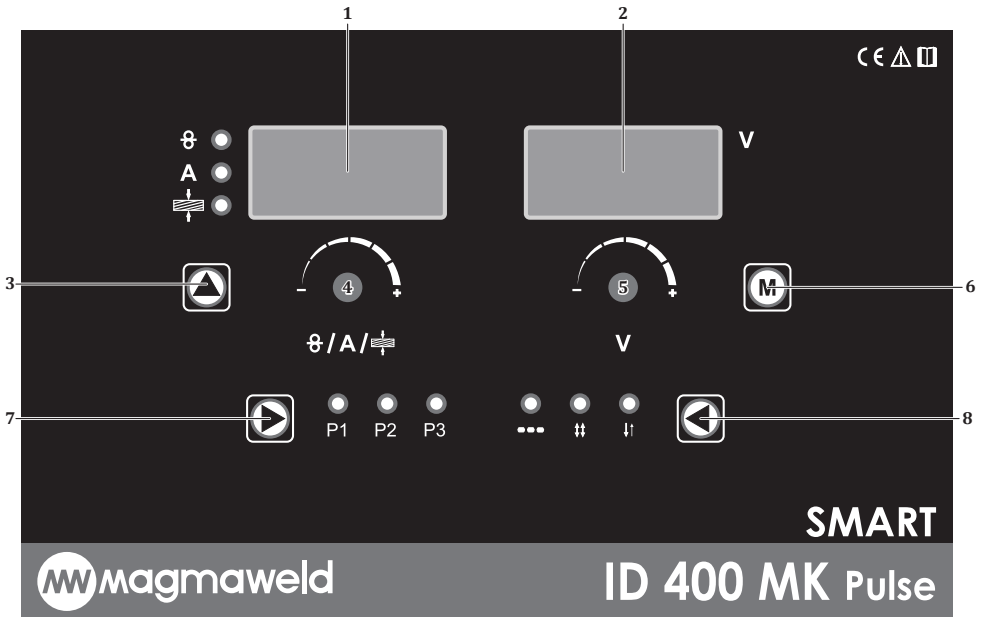
6-) AUSWAHL DES GASTYPUS

Die Auswahl der Gasart ist getroffen. Die zu verwendende Gasart muss korrekt ausgewählt werden. Mit jedem Druck auf die Taste wechseln Sie zwischen den Zeilen der jeweiligen Spalte. Wenn die Gasart ausgewählt ist, leuchtet die entsprechende LED.

Einstellbereich

- CO₂
- Ar/15-25 CO₂
- Ar/10-15 CO₂
- Ar/5-10 CO₂
- Ar/2.5 CO₂
- Argon

3.2 Benutzeroberfläche



1-) DIGITALANZEIGE LINKS

Sie zeigt den Inhalt des Menüs, Fehlermeldungen, die Drahtgeschwindigkeit und den Schweißstrom im Leerlauf/Last, je nach ausgewähltem Modus, sowie die Dicke an. Alle Parameter werden auf dem digitalen Display angezeigt.

	Untätig	Unter Spannung
Synergetischer Modus	Materialstärke	Schweißstrom
Intelligenter Modus	Schweißsetstrom	Schweißstrom
Klassischer Modus	Drahtgeschwindigkeit	Schweißstrom

2-) DIGITALANZEIGE RECHTS

Es zeigt die Einstellparameter der Funktionen und die Quellenspannung im Leerlauf oder unter Last an, je nach gewähltem Modus.

	Untätig	Unter Spannung
Synergetischer Modus	Schweißgerätspannung	Schweißspannung
Intelligenter Modus	Schweißgerätspannung	Schweißspannung
Klassischer Modus	Schweißgerätspannung	Schweißspannung

3-) AUSWAHL DES QUELLENMODUS

Die Auswahl des Quellenmodus wird getroffen. Mit jedem Druck auf die Taste wechseln Sie zwischen den Zeilen der jeweiligen Spalte. Wenn der Quellenmodus ausgewählt ist, leuchtet die entsprechende LED.

Einstellbereich



• Klassischer Modus




• Intelligenter Modus



• Synergetischer Modus

Die Auswahl, die Sie auf der Registerkarte Methode in der Tasche treffen, führt zu einer Unterscheidung in den Schweißmodus-Optionen. Wenn das MIG / MAG-Schweißverfahren als Schweißmethode ausgewählt ist, sind die Modi wie folgt:

<p>KLASSISCHER MODUS</p> <p>Wenn Sie diese Option auswählen, können Sie die Drahtgeschwindigkeit und die Schweißspannung selbst innerhalb eines bestimmten Toleranzbereichs einstellen. Die Drahtgeschwindigkeit wird zwischen 1 - 24 m/min und die Schweißspannung zwischen 15 - 40 V eingestellt.</p>
<p>SMART-MODUS</p> <p>Bei der Auswahl müssen die Schweißparameter wie Drahttyp, Drahtdurchmesser und Gasart korrekt ausgewählt werden. Das Gerät stellt automatisch die optimale Spannung entsprechend dem gewählten Schweißstrom ein. Sie können die Spannung innerhalb eines bestimmten Toleranzbereichs einstellen, indem Sie den Einstellknopf in +/- Richtung drehen.</p>
<p>SYNERGIE-MODUS</p> <p>Bei der Auswahl müssen Schweißparameter wie Drahttyp, Drahtdurchmesser, Gasart und Dicke korrekt ausgewählt werden. Sowohl Strom als auch Spannung passen sich automatisch an die gewählten Schweißparameter an. Der Benutzer kann sowohl den Strom als auch die Spannung innerhalb eines bestimmten Toleranzbereichs steuern. Das Gerät berechnet die Spannung automatisch entsprechend dem eingestellten Stromwert innerhalb einer bestimmten Toleranz neu.</p>

 Wenn Sie sehen möchten, welchen Wert das Gerät ursprünglich vorgeschlagen hat, und zu diesem Wert zurückkehren möchten, drücken Sie einfach einmal die Einstellungstaste.

Wenn das Impuls-MIG/MAG-Schweißverfahren als Schweißmethode ausgewählt ist, sind die Modi wie folgt:

 Es wird in gepulsten Modellen aktiv sein.

<p>KLASSISCHER MODUS</p> <p>Wenn Sie diese Option auswählen, können Sie die Drahtgeschwindigkeit und die Schweißspannung selbst innerhalb eines bestimmten Toleranzbereichs einstellen. Die Drahtgeschwindigkeit wird zwischen 1 - 24 m/min und die Schweißspannung zwischen 15 - 40 V eingestellt.</p>
<p>SMART-MODUS</p> <p>Bei der Auswahl müssen die Schweißparameter wie Drahttyp, Drahtdurchmesser und Gasart korrekt ausgewählt werden. Das Gerät stellt automatisch die optimale Spannung entsprechend dem gewählten Schweißstrom ein. Sie können die Spannung innerhalb eines bestimmten Toleranzbereichs einstellen, indem Sie den Einstellknopf in +/- Richtung drehen.</p>
<p>SYNERGIE-MODUS</p> <p>Bei der Auswahl müssen Schweißparameter wie Drahttyp, Drahtdurchmesser, Gasart und Dicke korrekt ausgewählt werden. Sowohl Strom als auch Spannung passen sich automatisch an die gewählten Schweißparameter an. Der Benutzer kann sowohl den Strom als auch die Spannung innerhalb eines bestimmten Toleranzbereichs steuern. Das Gerät berechnet die Spannung automatisch entsprechend dem eingestellten Stromwert innerhalb einer bestimmten Toleranz neu.</p>

Wenn E-Hand- und Lift-TIG-Schweißen als Schweißverfahren ausgewählt sind, gibt es keine Auswahl im Abschnitt Modus.

4-) EINSTELLMETER

Die Einstellung erfolgt durch Drehen des Potentiometers **(4)** nach links und rechts.

- Wenn die MMA-Schweißmethode ausgewählt ist, wird der Strom mit dem Potentiometer eingestellt.
- Wenn die WIG-Schweißmethode Lift gewählt ist, wird die Stromstärke mit dem Potentiometer eingestellt.
- Wenn der klassische Modus gewählt ist, wird die Drahtgeschwindigkeit mit dem Potentiometer eingestellt.
- Wenn der intelligente Modus ausgewählt ist, wird der Strom mit dem Potentiometer eingestellt, die Spannung wird automatisch anhand des eingestellten Stroms berechnet.
- Wenn der Synergetic-Modus ausgewählt ist, wird die Dicke des zu schweißenden Materials mit dem Potentiometer eingestellt, entsprechend der eingestellten Dicke wird die Spannung automatisch berechnet.
- Wenn Sie die Taste **(6)** drücken und in den Funktionsbereich wechseln, drücken Sie einmal auf das Potentiometer, um die entsprechende Funktion zu speichern, die Sie benötigen, um zur anderen Funktion zu wechseln."

Zum Beispiel;

Wenn Sie diesen Wert nach der Einstellung mit Potentiometer **(5)** speichern möchten, drücken Sie einmal auf Potentiometer **(4)** und wechseln Sie zur nächsten Funktion (PoS). Wenn die Taste **(4)** nicht gedrückt wird und die nächste Funktion (PoS) nicht ausgewählt ist, wird keine Speicherung vorgenommen, wenn Sie direkt zur Hauptseite zurückkehren.

5-) EINSTELLMETER

Die Einstellung erfolgt durch Drehen des Potentiometers **(5)** nach links und rechts.

- Wenn der klassische Modus ausgewählt ist, wird der Spannungswert eingestellt.
- Wenn der Smart-Modus ausgewählt ist, wird die Spannung automatisch anhand des mit Potentiometer **(4)** eingestellten Stroms berechnet. Sie können die Spannung innerhalb eines bestimmten Toleranzbereichs einstellen, indem Sie das Potentiometer **(5)** nach links und rechts drehen.
- Wenn der synergetische Modus ausgewählt ist, wird die Spannung automatisch anhand der eingestellten Parameter berechnet. Sie können die Spannung einstellen, indem Sie das Potentiometer **(5)** innerhalb eines bestimmten Toleranzbereichs nach links und rechts drehen.
- Wenn Sie die Taste **(6)** wählen, werden die Funktionen geöffnet. Mit dem Potentiometer können Sie die entsprechenden Funktionen einstellen.

6-) FUNKTIONSAUSWAHL

Wenn Sie die Taste **(6)** einmal drücken, werden die Funktionen geöffnet. Um zur Hauptseite zurückzukehren, drücken Sie einfach erneut auf die Taste. Durch Drehen des Potentiometers **(5)** nach links und rechts wird die Einstellung in der gewählten Funktion vorgenommen. Wenn Sie die gewählte Einstellung speichern möchten, müssen Sie zur nächsten Funktion wechseln. Um zu speichern, genügt es, einmal auf den Topf **(4)** zu drücken, damit die Einstellung gespeichert und die nächste Funktion gestartet wird. Die folgenden Funktionen stehen Ihnen im Menübereich zur Verfügung:

PrE

Erstes Gas

Die Vordrosselzeit ist eingestellt.

Einstellbereich

- 0 - 9,9 Sek.

Das Gas wird vor Beginn des Schweißens für die angegebene Zeit zugeführt und dann beginnt das Schweißen. Schützt das Schweißbad zu Beginn des Schweißens.

PoS

Letztes Gas

Die letzte Gaszeit wird eingestellt.

Einstellbereich

- 0 - 9,9 Sek.

Nach dem Ende des Schweißens für die angegebene Zeit kommt das Gas und das Schweißen wird beendet. Es bietet Schutz für das Schweißbad am Ende des Schweißens.

brn

Rückwärtsverbrennung

Die Rückbrandeinstellung wird vorgenommen.

Einstellbereich

- + 25 - 25

Wenn der auf dem Display angezeigte Wert "+" ist, kommt der Draht für die angegebene Zeit vorwärts, wenn der auf dem Display angezeigte Wert "-" ist, brennt der Draht für die angegebene Zeit weiter zurück. Wenn der Schweißvorgang beendet ist, wird verhindert, dass der Schweißdraht an der Kontaktdüse festklebt.

Pon

Schweißzeit

Wenn die Methode ausgewählt ist, wird die Schweißzeit eingestellt.

Einstellbereich

- 0.2 - 9.9 Sek.

PoF

Lückenzeit

Wenn die Methode ausgewählt ist, wird die Zeit, die nicht geschweißt werden soll, eingestellt.

Einstellbereich

- 0.0 - 9.9 Sek.

SoS

Soft Start

Die Softstart-Einstellung wird vorgenommen.

Einstellbereich

- Ein - Aus

Zu Beginn des Schweißens erhöht sich die Drahtgeschwindigkeit allmählich von einer niedrigen Geschwindigkeit auf die eingestellte Geschwindigkeit. Auf diese Weise werden Schläge und Spritzer zu Beginn des Schweißens verhindert.

Crt

Krater

Die Kraterfunktion ist eingestellt.

Einstellbereich

- Ein - Aus

Dieses Verfahren dient dazu, Rissbildung am Ende des Schweißvorgangs zu verhindern. Wenn der Krater aktiv ist, wird der Schweißstrom am Ende der Schweißung mit einer gewissen Linearität reduziert und die Schweißung wird beendet.

7-) PROGRAMMAUSWAHL

Es wird zur Aufzeichnung der geleisteten Arbeit verwendet. Es gibt 3 Erinnerungen. Die LED (7) des Programms, in dem der Vorgang ausgeführt wird, leuchtet auf. Um das Programm zu speichern, drücken Sie die Taste einmal und wechseln Sie zum anderen Programm. Wenn Sie das Programm Nummer 3 speichern möchten, reicht es aus, die Taste zum Speichern einmal zu drücken, nachdem Sie Ihre Einstellungen vorgenommen haben, während die LED mit der Nummer P3 leuchtet. Alle Programm-LEDs sind dann ausgeschaltet. Nach dem Programm P3 gibt es einen Bereich, der den Betrieb ohne Programmaufnahme ermöglicht. Während Sie sich in diesem Bereich befinden, erfolgt keine Programmaufnahme und die Programm-LEDs sind ausgeschaltet.

Einstellbereich

- P1 - P2 - P3

8-) AUSWAHL DES TRIGGERMODUS

Wird zur Auswahl des Triggermodus verwendet. Mit jedem Drücken der Taste (8) wird in den anderen Triggermodus gewechselt.

Einstellbereich

- 2 Auslöser
- 4 Auslöser
- Methode

**Drücken Sie den Auslöser****Drücken und halten Sie den Auslöser****Lassen Sie den Auslöser los**

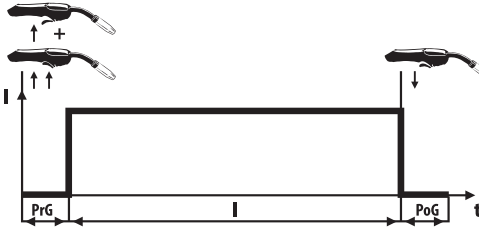
2 AUSLÖSEMODUS : Wenn der Brennerauslöser gedrückt wird, beginnt das Schweißen und der Auslöser wird gedrückt gehalten, bis das Schweißen beendet ist. Das Schweißen endet, wenn der Auslöser losgelassen wird.

Schweißvorgang einleiten;

- Drücken und halten Sie den Auslöser des Brenners,
- Der Schutzgasfluss beginnt so lange wie die Gasvorlaufzeit.
- Am Ende der Gasvorlaufzeit läuft der Drahtvorschubmotor mit langsamer Geschwindigkeit.
- Der Schweißstrom erhöht sich, wenn das Werkstück erreicht ist.

Schweißnahtabschluss;

- Lassen Sie den gedrückten Brennerauslöser los
- und der Drahtvorschubmotor stoppt.
- Der Lichtbogen erlischt nach der eingestellten Rückbrennzeit.
- Der Prozess endet am Ende der Gasnachlaufzeit.



PrG : Gasvorlaufzeit
I : Schweißstrom
PoG : Gasnachlaufzeit

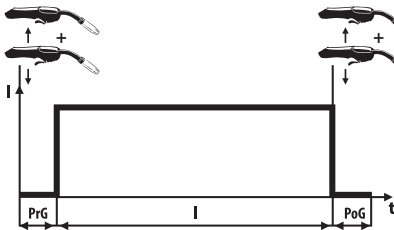
4 AUSLÖSEMODUS : Sobald der Brennerauslöser gedrückt und losgelassen wird, beginnt das Schweißen und Sie brauchen ihn nicht bis zum Ende des Schweißens gedrückt zu halten. Wenn der Auslöser gedrückt und wieder losgelassen wird, wird die Schweißung beendet.

Schweißvorgang einleiten;

- Drücken und halten Sie den Auslöser des Brenners,
- Der Schutzgasfluss beginnt so lange wie die Gasvorlaufzeit.
- Am Ende der Gasvorlaufzeit läuft der Drahtvorschubmotor mit langsamer Geschwindigkeit.
- Der Schweißstrom erhöht sich, wenn das Werkstück erreicht ist.
- Lassen Sie den Brennerauslöser los und das Schweißen wird fortgesetzt.

Schweißnahtabschluss;

- Drücken Sie den Brennerauslöser und lassen Sie ihn los.
- Drahtvorschubmotor stoppt
- Der Lichtbogen erlischt nach der eingestellten Rückbrennzeit.
- Der Prozess endet am Ende der Gasnachlaufzeit.



PrG : Gasvorlaufzeit
I : Schweißstrom
PoG : Gasnachlaufzeit

METHODE: Mit dem Modus ist das Punktschweißen gemeint. Das Schweißen wird für die angegebene Schweißzeit fortgesetzt und am Ende der Schweißzeit beendet. Wenn die angegebene Zeitlücke zu lang ist, wird keine Schweißung durchgeführt. Dieser Zeitraum dauert so lange an, wie der Auslöser nicht betätigt wird.

Schweißzeit : 0,2 - 9,9 und **Zeitlücke :** 0,0 - 9,9 Sekunden.

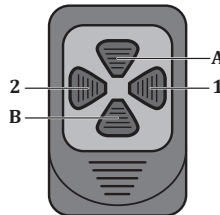
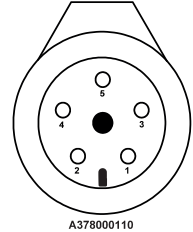
⚠ Diese Methode ist zu bevorzugen, wenn Sie jedes Mal die gleiche Schweißnaht und den gleichen Einbrand erzielen möchten. Schweißnähte, die nach der Methode hergestellt werden, sind gleich lang.

3.3 Fernsteuerung

Mit einem geeigneten Brenner und einem entsprechenden Verbinder können Sie Ihren Schweißstrom (Drahtgeschwindigkeit) / Ihre Schweißspannung am Brenner ändern, ohne in die Nähe Ihrer Maschine zu gehen. Sie müssen die Buchse für die Fernsteuerung der Taschenlampe anschließen. Die Buchsenverbindungen sind unten angegeben:

BRENNERSTEUERUNG - BRAUN	_____	A378000110 - 1
BRENNERSTEUERUNG - SCHWARZ	_____	A378000110 - 2
BRENNERSTEUERUNG - ROT	_____	A378000110 - 4
BRENNERSTEUERUNG - WEISS	_____	A378000110 - 5
BRENNERSTEUERUNG - GRÜN	_____	A378000110 - 3

Vorderansicht der Fernregelbuchse:



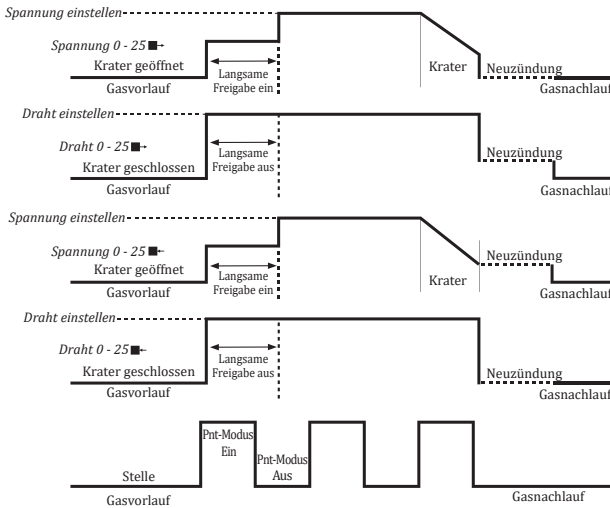
Modus	Taste	Funktion
Klassischer Modus	1	Sie können Ihre Drahtgeschwindigkeit bis zum minimalen Toleranzwert (-10%) reduzieren. Einstellbereich: 0.5 m/Min.
	2	Sie können Ihre Drahtgeschwindigkeit bis zum maximalen Toleranzwert (+10 %) erhöhen. Einstellbereich: 0.5 m/Min.
	A	Sie können Ihre Schweißspannung bis zum maximalen Toleranzwert (+10 %) erhöhen. Einstellbereich: 0.5 V
	B	Sie können Ihre Schweißspannung bis zum minimalen Toleranzwert (-10 %) reduzieren. Einstellbereich: 0.5 V
Intelligenter Modus	1	Sie können Ihren Schweißstrom bis zum minimalen Toleranzwert (-10 %) reduzieren. Einstellbereich: 5 A
	2	Sie können Ihren Schweißstrom bis zum maximalen Toleranzwert (+10%) erhöhen. Einstellbereich: 5 A
	A	Sie können Ihre Schweißspannung bis zum maximalen Toleranzwert (+10 %) erhöhen. Einstellbereich: 0.5 V
	B	Sie können Ihre Schweißspannung bis zum minimalen Toleranzwert (-10 %) reduzieren. Einstellbereich: 0.5 V
Synergistischer Modus	1	Sie können Ihren Schweißstrom bis zum minimalen Toleranzwert (-10 %) reduzieren. Einstellbereich: 5 A
	2	Sie können Ihren Schweißstrom bis zum maximalen Toleranzwert (+10 %) erhöhen. Einstellbereich: 5 A
	A	Sie können Ihre Schweißspannung bis zum maximalen Toleranzwert (+10 %) erhöhen. Einstellbereich: 0.5 V
	B	Sie können Ihre Schweißspannung bis zum minimalen Toleranzwert (-10 %) reduzieren. Einstellbereich: 0.5 V

3.4 Einstellung der Bogenlänge (ArC)

Drücken Sie die Spannungseinstellungstaste für drücken und 3 Sekunden lang gedrückt halten, wird die Funktion Bogenlänge aktiviert. Die Werkseinstellung ist 0.0. Sie können die Einstellung der Bogenlänge im Bereich von +7/-7 ändern, indem Sie den Stromknopf nach rechts und links drehen. Bei der Änderung in Richtung +7 rückt der Drahtkontakt näher an die Düse und die Bogenlänge wird länger. Bei der Veränderung in Richtung -7 nähert sich der Draht dem Schweißgut und die Bogenlänge verkürzt sich. Nachdem Sie die gewünschte Einstellung vorgenommen haben, drücken Sie die aktuelle Taste einmal, um die Einstellung zu verlassen.

IDE

3.5 MIG-Kurve



Parameter	Wertebereich	Werkseinstellung	2- Lokation MIG	4- Lokation MIG
Gasvorlauf	0,0 - 9,9 Sek.	0,1 Sek.	✓	✓
Gasnachlauf	0,0 - 9,9 Sek.	0,1 Sek.	✓	✓
Neuzündung	25 - 0 - 25	0 Schritt	✓	✓
Dauer des Schweißens	0,2 - 9,9 Sek.	0,2 Sek.	✓	✓
Zeitlücke	0,0 - 9,9 Sek.	0,0 Sek.	✓	✓
Draht-Durchmesser	0,6 - 2,4 mm	1,0 mm	✓	✓
Dicke	0,6 - 20,0 mm	1,0 mm	✓	✓
Gasart	82/18, 92/8, %100 Ar, %100 CO2, %97,5/2,5			
Draht-Typ	SG/FE, Flux Rutil, Flux Basic, AIMg 4,5Mn, AIMg5, Aisi 5, AL 99,5			
Krater	Aktiv / Passiv	Passiv	✓	✓
Modus	Synergic / Smart / Classic			
Auslöser	Methode / 2 / 4	2	✓	✓
Methode	MIG / MAG - MMA LIFT TIG	MIG / MAG		

3.6 Anschluss an das Stromnetz



Je nach gewähltem Modus werden die Drahtgeschwindigkeit und der Schweißstrom mit Hilfe des Topfes eingestellt. Die Einstellung erfolgt durch Drehen des Topfes nach links und rechts.

DE

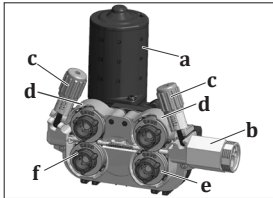


Je nach gewähltem Modus werden die Drahtgeschwindigkeit und der Schweißstrom mit Hilfe des Topfes eingestellt. Die Einstellung erfolgt durch Drehen des Topfes nach links und rechts.

- Schalten Sie das Gerät mit dem Ein/Aus-Schalter ein.
- Wenn Sie das Gebläsegeräusch hören und die Netzlampe leuchtet, schalten Sie das Gerät aus, indem Sie den Ein-/Ausschalter wieder auf die Position "Aus" stellen.

3.7 Auswahl und Austausch der Drahtvorschubwalze

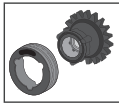
- Wenn Sie die Kappe des Drahtvorschubs öffnen, können Sie mit dem Knopf an der Seite das Gas und den Draht frei einstellen. In dem Drahtvorschubgerät sehen Sie das Vorschubsystem mit einer 4-Rollen-Encoder-Struktur. Dank des 4-WD-Systems wird der Draht mechanisch durch die auf alle 4 Rollen wirkende Kraft angetrieben. Auch unter schwierigen Voraussetzungen wie Motorerwärmung und erhöhter Reibung ändert sich die Drahtvorschubgeschwindigkeit nicht. Die Bogenstabilität ist ausgezeichnet. Wenn das Gerät unter Strom steht, leuchtet die interne LED auf und erleichtert somit das Auswechseln der Rolle.



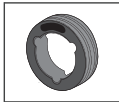
- a- Motor
- b- Euroverbinder
- c- Druckeinstellschraube
- d- Obere Drahtvorschubrollen
- e- Untere Drahtvorschubrollen
- f- Verriegelungsmechanismus für den Drahtvorschub

Figur 4 : Drahtvorschubsystem

- **Verwenden Sie Drahtvorschubrollen, die für das Material und den Durchmesser des Schweißdrahtes geeignet sind, den Sie verwenden. Verwenden Sie die V-Rille für Stahl und Edelstahl, die gerändelte V-Rille für Fülldraht, die U-Rille für Aluminium.**
- Wenn Sie die Drahtvorschubrollen ersetzen müssen, entfernen Sie die vorhandenen Rollen, nachdem Sie die Druckeinstellschraube zu sich gezogen und die oberen Rollenabdeckungen angehoben haben.

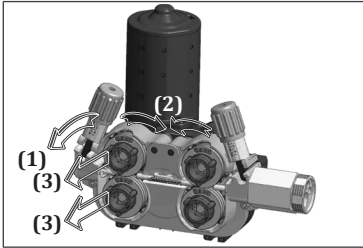


- **Um die Rollen entfernen zu können, müssen Sie sie entriegeln. Durch Drehen in die entgegengesetzte Richtung zur Verriegelungsrichtung müssen die Schlitze an der Innenseite der Drahtvorschubrollee die Aussparungen am Drahtvorschubkörper überlappen, wodurch die Verriegelung aufgehoben wird.**

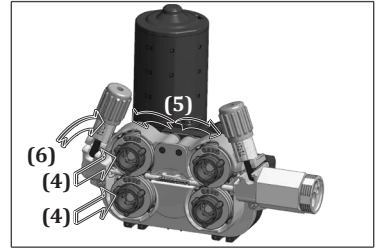


- **Beide Seiten der Rollen sind entsprechend dem Drahtdurchmesser, für den sie verwendet werden, gekennzeichnet.**
- **Legen Sie die Rollen so auf den Flansch, dass der Drahtdurchmesser, den Sie verwenden werden, auf der Ihnen zugewandten Seite liegt.**

- Positionieren Sie die zu verwendende Rolle so, dass die Lücken an der Innenseite der Drahtvorschubrolle die Aussparungen am Drahtvorschubkörper überlappen. Drehen Sie nach rechts oder links und vergewissern Sie sich, dass das Verriegelungsgeräusch zu hören ist und die Drahtantriebsrollen in Position sind. Senken Sie dann die Andruckrollen ab und heben Sie den Andruckrollenhebel an, um ihn an der Andruckrolle zu arretieren.



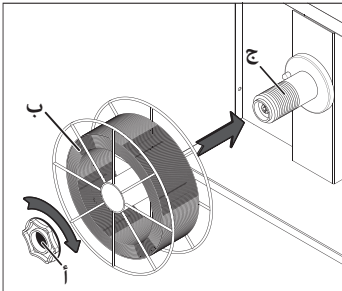
Figur 5 : Entfernen der Drahtantriebswalzen



Figur 6 : Platzierung der Drahtantriebswalzen

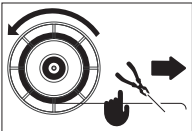
3.8 Positionierung der Drahtspule und Antrieb des Drahtes

- Drehen Sie die Schraube des Drahttransportsystems heraus. Fädeln Sie die Schweißdrahtspule auf die Welle des Drahttransportsystems und ziehen Sie die Schraube wieder fest.



Figur 7 : Platzieren der Drahtspule

- Ziehen Sie den Druckhebel an der Drahtvorschubspule und senken Sie ihn ab, d.h. entlasten Sie die Druckspule.

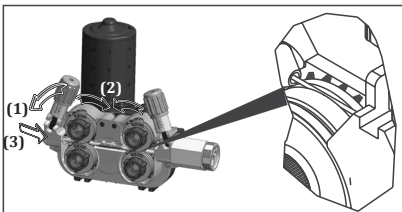


- Entfernen Sie den Schweißdraht von der Stelle, an der die Drahtspule angeschlossen ist, und schneiden Sie das Ende mit einem Seitenmeißel ab, ohne es zu verfehlen.



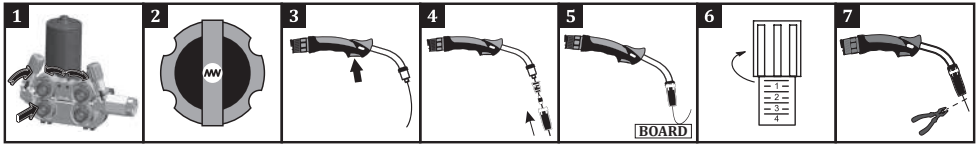
Wenn das Ende des Drahtes verfehlt wird, kann der Draht wie eine Feder herausschießen und Ihnen und anderen in Ihrer Umgebung Schaden zufügen.

- Ohne den Draht loszulassen, führen Sie den Draht durch die Drahteinführung, auf die Spulen und über die Spulen in den Brenner.



Figur 8 : Anbringen des Drahtes auf der Spule

- Drücken Sie die Druckwalzen und heben Sie den Druckhebel **1**.
- Schalten Sie das Gerät ein, indem Sie den Ein/Aus-Schalter auf Position "1" stellen **2**.
- Drücken Sie den Auslöser, bis der Draht aus der Brennerspitze kommt. Achten Sie dabei darauf, dass sich die Schweißdrahtspule gleichmäßig dreht, und prüfen Sie, ob sich die Wicklung lockert, indem Sie den Auslöser mehrmals drücken und wieder loslassen **3**. Wenn Sie eine Lockerung und/oder ein Zurückspulen beobachten, ziehen Sie die Schraube des Drahttransportsystems noch etwas fester an.
- Wenn der Draht aus der Brennerspitze herausgezogen ist, setzen Sie die Düse und die Kontaktdüse wieder auf den Brenner **4**.
- Legen Sie den Draht auf ein Brett, **5** stellen Sie den entsprechenden Drahtdruck ein **6** und schneiden Sie das Drahtende ab **7**.



Wenn die Druckeinstellschraube zu fest angezogen oder zu locker gelassen wird oder die falsche Drahtantriebspule verwendet wird, treten folgende Effekte auf.

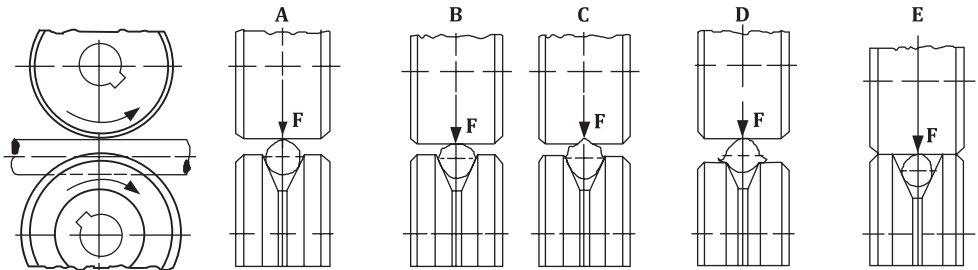
A: Geeignete Drahtstärke und Kanalgröße

B: Wenn der Pressarm zu stark zusammengedrückt wird, wird die Form des Drahtes verzerrt.

C: Wenn der Pressarm zu stark zusammengedrückt wird, entstehen Verformungen auf der Rollenoberfläche.

D: Die Kanallänge der Spule ist zu klein für den verwendeten Draht. Es kommt zu Verzerrungen in der Form des Drahtes.

E: Die Rillengröße der Spule ist groß für den verwendeten Draht. Es kann nicht in den Bereich des Drahtschweißens verschickt werden.



Figur 9 : Fehler bei der Druckanpassung und Rollenauswahl

3.9 Einstellung des Gasflusses



Nehmen Sie die Gaseinstellung und den Gastest vor, indem Sie den Druckhebel der Drahtvorschubwalze absenken !

- Stellen Sie den Gasdurchfluss mit dem Durchflussregelventil ein.
- Der praktische Gasdurchfluss (CO₂ , Ar, Gemisch) beträgt das 10-fache des Drahtdurchmessers. Wenn der Drahtdurchmesser z.B. 1,2 mm beträgt, kann der Gasdurchfluss auf 10 x 1,2 = 12 l/min eingestellt werden.
- Sie können die Tabelle an der Seite verwenden, um die Durchflussmenge genauer einzustellen. Nachdem Sie den Gasdurchfluss eingestellt haben, heben Sie den Hebel der Andruckrolle an und schließen die Abdeckung der Drahtvorschubeinheit.

		Unlegierter Stahl Stahl- und Metall-Fülldraht	Fülldraht	Rostfrei Stahl	Aluminium
Drahtdurchmesser (mm)	0.8	8 lt./min.	7 lt./min.	8 lt./min.	8 lt./min.
	0.9	9 lt./min.	8 lt./min.	9 lt./min.	9 lt./min.
	1.0	10 lt./min.	9 lt./min.	10 lt./min.	10 lt./min.
	1.2	12 lt./min.	11 lt./min.	12 lt./min.	12 lt./min.

DE

3.10 Spezifikationen der Maschine

CC/CV-Struktur

- Sie ermöglicht MIG-, MMA- und TIG-Schweißen.

Speicher

- Es gibt 3 Auftragspeicher, um die geleistete Arbeit aufzuzeichnen.

Vielfältige Nutzungsfunktionen

- Bietet eine benutzerfreundliche Bedienung mit klassischen, intelligenten und synergetischen MIG/MAG-Modi.

Soft Start

- Durch allmähliche Erhöhung der Drahtgeschwindigkeit wird die Entstehung von Klopfen und Spritzern verhindert.

Intelligente Leistung

- Die intelligente Leistungskontrolle überwacht und analysiert kontinuierlich die Schweißparameter der Maschine.
- Bei zwingenden Bedingungen schützt sich die Maschine selbst, um ihre Lebensdauer zu verlängern und sie vor Fehlfunktionen zu bewahren.
- Dieser Schutz wird durch eine thermische LED-Warnung auf dem Bedienfeld des Geräts angezeigt.
- Nach 2 Minuten Schutzzeit schaltet sich die Maschine wieder ein.

Smart Fan

- Die Innentemperatur der Maschine wird kontinuierlich gemessen. Die Geschwindigkeit des Kühlgebläses wird entsprechend der gemessenen Temperatur erhöht oder verringert. Unterhalb einer bestimmten Temperatur wird die Phase vollständig gestoppt. Diese Funktion reduziert die Staubmenge, die in die Maschine gelangt. Die Lebensdauer der Maschine wird verlängert und es wird Energie gespart. Während des Schweißens arbeitet der Ventilator, um für Kühlung zu sorgen.

Strom-/Spannungssteuerung am Brenner

- Mit der Option des Steuerungsanschlusses können Sie den Schweißstrom/die Schweißspannung am Brenner ändern, ohne sich mit einem Brenner geeigneter Spezifikationen in die Nähe Ihrer Maschine zu begeben.

Kompatibilität mit Roboter

- Seine Struktur ist mit dem Roboter kompatibel und ermöglicht eine einfache Handhabung.

Kompatibilität mit Magnet

- Dank der magnetbereiten Struktur werden Schweiß- und Umgebungsinformationen in Echtzeit gespeichert. Einige Werte können auf dem LCD-Panel vor der Maschine abgelesen werden, während andere Daten (Gesamtanlageneffektivität OEE, Schweißparameter-WP, Qualität usw.) auf der Magnet-Plattform gespeichert und überwacht werden. (Optional)

Arbeiten mit Generatoren

- Geeignet für die Arbeit mit Generatoren. Wie viele kVA er leisten kann, sollten Sie anhand der technischen Spezifikationen ermitteln.

Phasenschutz

- Geschützt gegen fehlende oder falsche Phasen.

Spannungsschutz

- Wenn die Netzspannung zu hoch oder zu niedrig ist, schützt sich die Maschine automatisch, indem sie einen Fehlercode auf dem Display anzeigt. Auf diese Weise werden die Maschinenteile nicht beschädigt und eine lange Lebensdauer der Maschine ist gewährleistet. Nachdem sich die Umgebungsbedingungen normalisiert haben, werden auch die Maschinenfunktionen aktiviert.



WARTUNGS- UND STÖRUNGSINFORMATIONEN

- Wartung und Reparaturen an der Maschine müssen von kompetenten Personen durchgeführt werden. Unser Unternehmen haftet nicht für Unfälle, die durch Eingriffe von Unbefugten verursacht werden.
- Die bei der Reparatur zu verwendenden Teile erhalten Sie bei unseren autorisierten Diensten. Die Verwendung von Original-Ersatzteilen verlängert die Lebensdauer Ihrer Maschine und verhindert Leistungsverluste.
- Wenden Sie sich immer an den Hersteller oder eine vom Hersteller angegebene Vertragswerkstatt.
- Jeder nicht vom Hersteller autorisierte Versuch während der Garantiezeit führt zum Erlöschen aller Garantiebestimmungen.
- Beachten Sie bei Wartungs- und Reparaturarbeiten stets die geltenden Sicherheitsvorschriften.
- Bevor Sie Reparaturarbeiten am Gerät durchführen, ziehen Sie den Netzstecker aus der Steckdose und warten Sie 10 Sekunden, bis sich die Kondensatoren entladen haben.

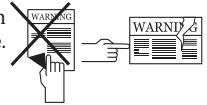
DE

4.1 Wartung



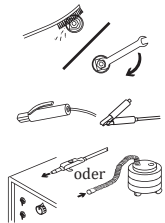
Alle 3 Monate

- Entfernen Sie keine Warnhinweise auf der Maschine. Ersetzen Sie abgenutzte/gerissene Etiketten durch neue. Sie können die Etiketten beim autorisierten Service erhalten.
- Überprüfen Sie den Brenner, die Zange und die Kabel. Achten Sie auf die Verbindungen und die Stabilität der Teile. Ersetzen Sie beschädigte/defekte Teile durch neue. Nehmen Sie keine Spleißungen/Reparaturen an den Kabeln vor.
- Stellen Sie sicher, dass genügend Platz für die Belüftung vorhanden ist.
- Bevor Sie mit dem Schweißen beginnen, überprüfen Sie die Gasdurchflussmenge an der Brennerspitze mit einem Durchflussmesser. Wenn die Gasdurchfluss zu hoch oder zu niedrig ist, bringen Sie sie auf den für das Schweißen geeigneten Wert.



Alle 6 Monate

- Reinigen Sie Verbindungsteile wie Schrauben und Muttern und ziehen Sie sie fest.
- Überprüfen Sie die Kabel der Elektrodenklemme und der Erdungsklemme.
- Öffnen Sie die Seitenabdeckungen der Maschine und reinigen Sie sie mit trockener Niederdruckluft. Wenden Sie Druckluft nicht aus nächster Nähe auf elektronische Bauteile an.
- Füllen Sie das Wasser im Tank des Wasserkühlgeräts regelmäßig mit sauberem, nicht hartem Wasser auf und schützen Sie es mit Frostschutzmittel vor dem Einfrieren.



HINWEIS: Die oben genannten Zeiträume sind die maximalen Zeiträume, die angewendet werden sollten, wenn keine Probleme mit Ihrem Gerät auftreten. Je nach Intensität und Verschmutzung Ihrer Arbeitsumgebung können Sie die oben genannten Vorgänge häufiger wiederholen.



Schweißen Sie niemals bei geöffneten Türen der Schweißmaschine.

4.2 Fehlersuche

Die folgenden Tabellen enthalten mögliche Fehler und Lösungsvorschläge.

Störung	Grund	Lösung
Maschine arbeitet nicht	• Fehlfunktion der Elektronikarte	• Autorisierten Service kontaktieren
	• Der elektrische Anschluss der Maschine ist defekt	• Vergewissern Sie sich, dass das Gerät an das Stromnetz angeschlossen ist
	• Fehlerhafte Netzanschlüsse	• Prüfen Sie, ob die Netzanschlüsse korrekt sind
	• Sicherung der Netzversorgung defekt oder Netzkabel beschädigt	• Prüfen Sie Netzsicherungen, Netzkabel und Stecker
	• Ein/Aus-Schalter funktioniert nicht richtig	• Überprüfen Sie den Ein/Aus-Schalter
Drahtantrieb Motor startet nicht	• Elektronische Karte / Drahtantrieb Motor defekt	• Autorisierten Service kontaktieren
Der Drahtvorschubmotor funktioniert, aber der Draht bewegt sich nicht	• Drahtantriebsrollen nicht entsprechend dem Drahtdurchmesser ausgewählt	• Wählen Sie die passende Drahtvorschubrolle
	• Zu wenig Druck auf die Drahtantriebsrollen	• Stellen Sie die richtige Druckwalzeneinstellung ein
Nicht gut geschweißt	• Kontaktdüsengröße falsch gewählt oder beschädigt	• Ersetzen Sie die Kontaktdüse
	• Niedriger Druck der Druckwalzen	• Stellen Sie die richtige Druckwalzeneinstellung ein
	• Zu viel oder zu wenig Schutzgas	• Überprüfen Sie das verwendete Gas und dessen Einstellung. Wenn das Gas nicht eingestellt werden kann, wenden Sie sich an einen autorisierten Service
	• Schweißparameter nicht richtig ausgewählt	• Ändern Sie die Einstellungen für die Spannung und die Drahtgeschwindigkeit

Störung	Grund	Lösung
Der Schweißstrom ist nicht stabil und/oder nicht reguliert	<ul style="list-style-type: none"> Die Erdungszange des Geräts ist nicht mit dem Werkstück verbunden 	<ul style="list-style-type: none"> Vergewissern Sie sich, dass das Gerät mit dem Teil der Erdungsklemme verbunden ist
	<ul style="list-style-type: none"> Kabel und Verbindungsstellen sind beschädigt 	<ul style="list-style-type: none"> Vergewissern Sie sich, dass die Kabel fest sitzen und die Anschlussstellen nicht korrodiert sind
	<ul style="list-style-type: none"> Falscher Parameter und Prozess ausgewählt 	<ul style="list-style-type: none"> Vergewissern Sie sich, dass die Parameter- und Prozessauswahl korrekt ist
	<ul style="list-style-type: none"> Elektrodenpol und Stromstärke falsch (MMA-Schweißen) 	<ul style="list-style-type: none"> Kontrollieren Sie den Pol, an den die Elektrode angeschlossen werden muss, und den am Gerät einzustellenden Stromwert
	<ul style="list-style-type: none"> Wolframspitze abgenutzt (beim WIG-Schweißen) 	<ul style="list-style-type: none"> Stellen Sie sicher, dass die Wolframspitze sauber ist
	<ul style="list-style-type: none"> Schweißbrenner beschädigt (MIG, WIG-Schweißen) 	<ul style="list-style-type: none"> Stellen Sie sicher, dass der Schweißbrenner sicher ist
	<ul style="list-style-type: none"> Ausfall der Elektronikplatine 	<ul style="list-style-type: none"> Autorisierten Service kontaktieren
Ventilator funktioniert nicht	<ul style="list-style-type: none"> Ausfall der elektronischen Karte / des Lüfters 	<ul style="list-style-type: none"> Autorisierten Service kontaktieren
Das Display zeigt den 0000 Wert an	<ul style="list-style-type: none"> Schweißparameter nicht richtig ausgewählt 	<ul style="list-style-type: none"> Alle Parameter wie Drahttyp, Gastyp, usw. müssen entsprechend Ihrer Schweißmethode ausgewählt werden

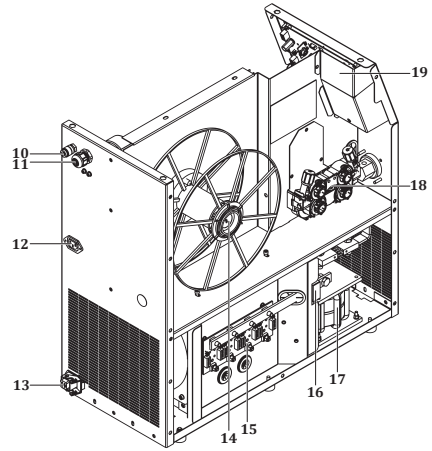
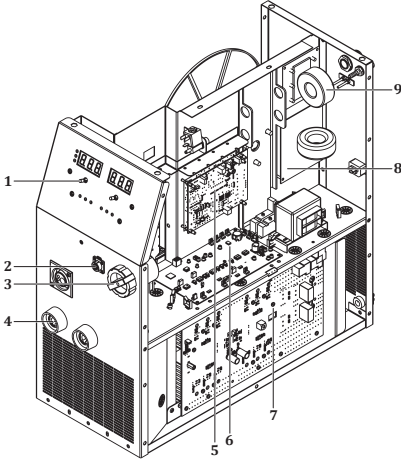
4.3 Fehlercodes

Fehlercode	Fehler	Grund	Lösung
E01	Kommunikationsfehler	<ul style="list-style-type: none"> • Es kann an verschiedenen Stellen der Maschine Probleme geben 	<ul style="list-style-type: none"> • Kontaktieren Sie den autorisierten Service
E02	Thermischer Schutz	<ul style="list-style-type: none"> • Ihre Maschine hat möglicherweise die Aktivierungsrate überschritten 	<ul style="list-style-type: none"> • Lassen Sie die Maschine abkühlen, indem Sie eine Weile warten. Wenn die Störung nicht mehr auftritt, versuchen Sie, niedrigere Stromstärken zu verwenden
		<ul style="list-style-type: none"> • Der Ventilator funktioniert möglicherweise nicht 	<ul style="list-style-type: none"> • Prüfen Sie visuell, dass der Ventilator funktioniert. Im Falle einer Störung wenden Sie sich bitte an den autorisierten Service
		<ul style="list-style-type: none"> • Die Luften- und -auslasskanäle sind möglicherweise blockiert 	<ul style="list-style-type: none"> • Öffnen Sie die Vorderseite der Luftkanäle
		<ul style="list-style-type: none"> • Die Arbeitsumgebung der Maschine kann zu heiß oder stickig sein 	<ul style="list-style-type: none"> • Stellen Sie sicher, dass die Maschine an einem Ort steht, an dem sie bequemer arbeiten kann
E03	Überstrom-Fehler	<ul style="list-style-type: none"> • Die Maschine hat möglicherweise zuviel Strom aufgenommen 	<ul style="list-style-type: none"> • Kontaktieren Sie den autorisierten Service
		<ul style="list-style-type: none"> • Es kann an verschiedenen Stellen der Maschine Probleme geben 	<ul style="list-style-type: none"> • Kontaktieren Sie den autorisierten Service
E04	Netzspannung niedrig	<ul style="list-style-type: none"> • Die Netzspannung ist möglicherweise niedriger geworden 	<ul style="list-style-type: none"> • Überprüfen Sie die Netzanschlusskabel und die Spannung. Vergewissern Sie sich, dass der richtige Spannungseingang vorhanden ist. Wenn die Netzspannung normal ist, wenden Sie sich an den autorisierten Service
E05	Fehler beim Lesen des Temperatursensors	<ul style="list-style-type: none"> • Der Temperatursensor ist möglicherweise defekt oder es liegt ein Problem mit dem elektrischen Anschluss vor 	<ul style="list-style-type: none"> • Kontaktieren Sie den autorisierten Service
E06	Netzspannung Hoch	<ul style="list-style-type: none"> • Die Netzspannung ist möglicherweise höher 	<ul style="list-style-type: none"> • Überprüfen Sie die Netzanschlusskabel und die Spannung. Vergewissern Sie sich, dass der richtige Spannungseingang vorhanden ist. Wenn die Netzspannung normal ist, wenden Sie sich an den autorisierten Service

ANHÄNGE

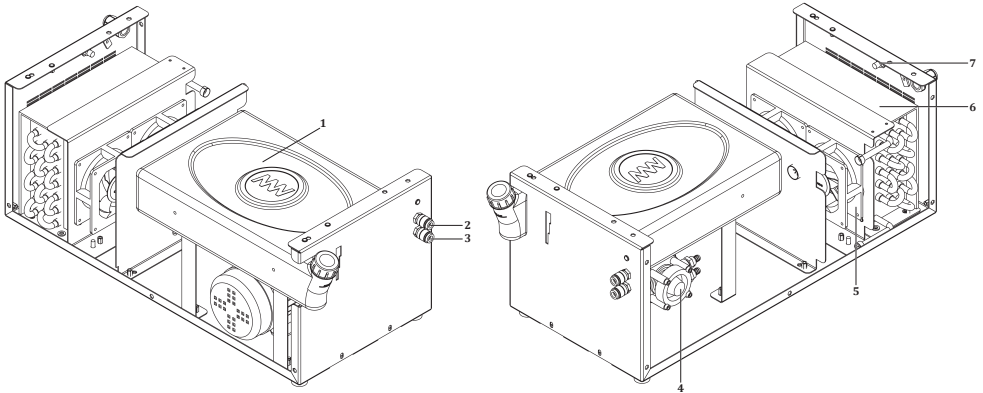
5.1 Ersatzteillisten

Ersatzteilliste für die Stromversorgung



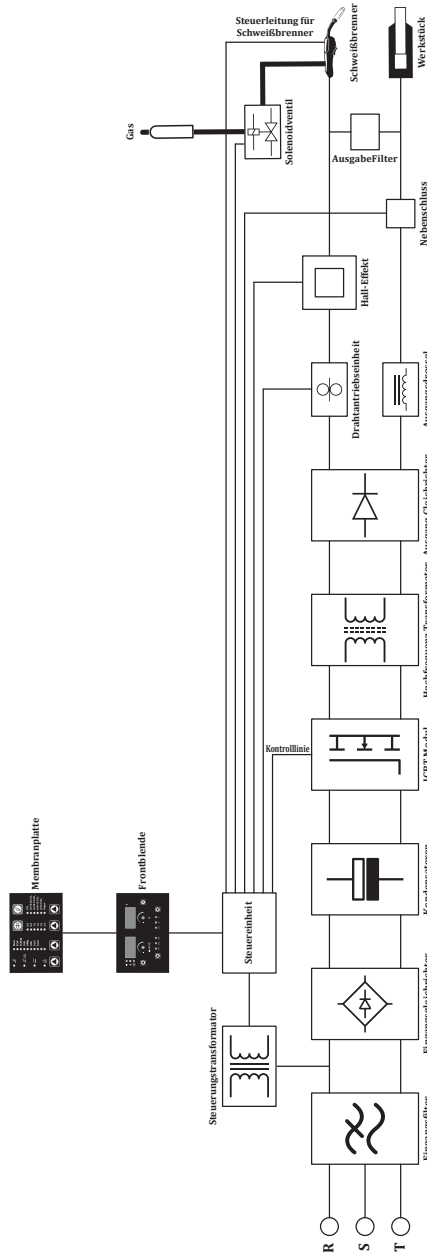
NR	BESCHREIBUNG	MATERIALCODE
1	Potenzschalter	A229500001
2	Verbinder	A378000103
3	Schaltknopf	A308900004
4	Schweißsockel	A377900106
5	Elektronische Karte E121A-2	K405000230
6	Elektronische Karte E206A-CNT3P	K405000324
7	Elektronische Karte E206A-1	K405000253
8	Elektronische Karte E202A-FLT4	K405000254
9	Elektronische Karte Rs-Filter	K405000262
10	Gasventil Stopfbüchse	A256000609
11	Kunststoff-Union	A376400016
12	Stromverbinder	A378000050
13	Verbinder	A378002002
14	Drahttransport Rollensystem Dreifachverbindung	A229900003
15	Elektronische Karte E202A-4A	K405000255
16	Elektronische Karte E121A-2	K405000230
17	Drossel	A421050002
18	Drahtzuführung System	K3090002213
19	Elektronische Karte E309A-3A	K405000312
	Elektronische Karte E309A-3B	K405000313

Wasser-Kühlaggregat Ersatzteilliste



NR	BESCHREIBUNG	MATERIALCODE
1	Wassertank	A249000005
2	Schnellkupplung Rot	A245700003
3	Schnellkupplung Blau	A245700002
4	Wasserpumpe	A240000006
5	Ventilator	A250001126
6	Heizkörper	A260000010
7	Glas-Sicherungsschlitz	A300190001
8	Glasversicherung Schnell	A300101011

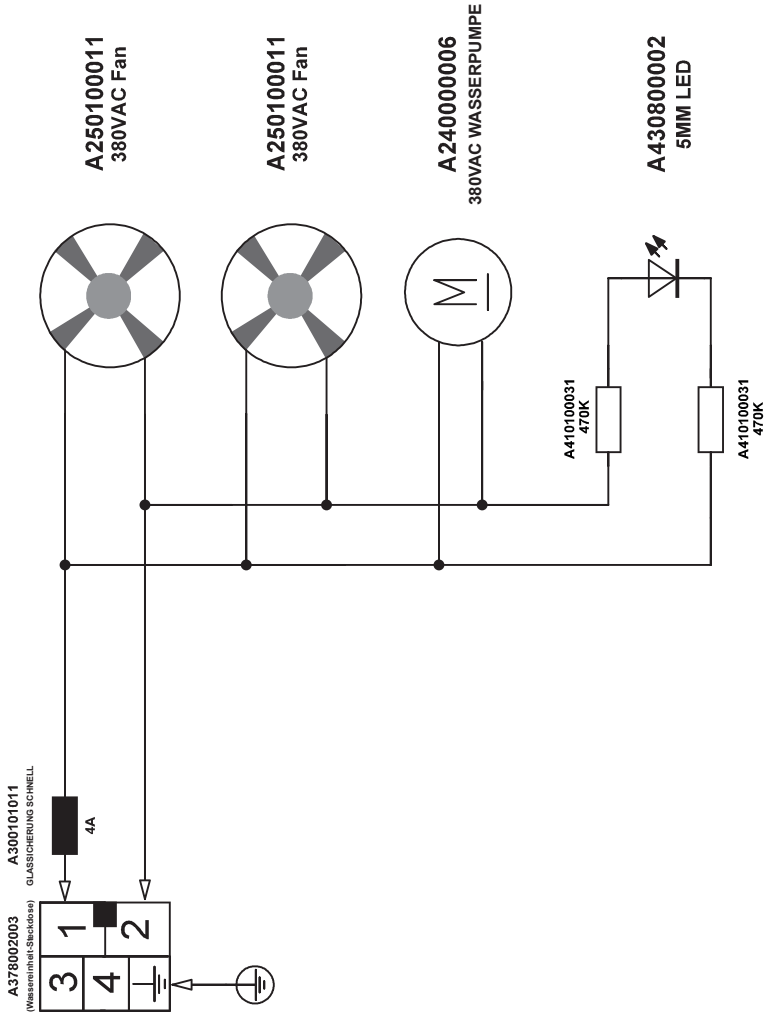
5.2 Blockdiagramm



DE

5.3 Schaltplan der Wassereinheit

DE



PRODUKTINFORMATION**Modell****Seriennummer****HERSTELLER****Name**

MAGMA MEKATRONİK MAKİNE SANAYİ VE TİCARET A.Ş.

Adresse

Organize Sanayi Bölgesi 5. Kısım MANİSA

Telefon / E-Mail

+90 236 226 27 00 / info@magmaweld.com

KAUFINFORMATIONEN**Name des Händlers****Stadt / Land****Telefon / E-Mail****Datum des Kaufs****KUNDENINFORMATIONEN****Name der Firma****Stadt / Land****Telefon / E-Mail****Name der Kontaktperson****SERVICE-INFORMATIONEN (falls zutreffend)****Name der Firma****Name des Technikers****Datum der Inbetriebnahme**
(Datum des Garantiebeginns)

Bitte besuchen Sie unsere Website www.magmaweld.com/warranty-terms/wt für die Garantiebedingungen.

 **СОДЕРЖАНИЕ**

	ПРАВИЛА ТЕХНИКИ БЕЗОПАСНОСТИ	126
1	ТЕХНИЧЕСКАЯ ИНФОРМАЦИЯ	
1.1	1.1 Общее описание	133
1.2	1.2 Комплектующие сварочного аппарата	133
1.3	1.3 Этикетка продукта	135
1.4	1.4 Технические характеристики	137
1.5	1.5 Вспомогательные устройства и приспособления	137
2	ИНФОРМАЦИЯ ПО УСТАНОВКЕ И НАСТРОЙКЕ	
2.1	Контроль доставки	138
2.2	Рекомендации по установке и эксплуатации	138
2.3	Соединения сварочного аппарата	139
2.3.1	Подсоединение электрической вилки	139
2.3.2	Подсоединение клеммы заземления к рабочей заготовке	139
2.3.3	Подсоединение газового баллона	139
2.3.4	Блок водяного охлаждения	140
3	ИНФОРМАЦИЯ ПО ЭКСПЛУАТАЦИИ	
3.1	Настройки В Сумке	141
3.2	Интерфейс Пользователя	143
3.3	Дистанционное управление	150
3.4	Регулировка длины Дуги (ArC)	151
3.5	Кривая изменения сварочного тока в процессе MIG-Сварки	151
3.6	Подсоединение к сетевому электропитанию	152
3.7	Выбор и замена роликов механизма подачи проволоки	152
3.8	Установка катушки сварочной проволоки и протягивание проволоки	153
3.9	Настройка расхода газа	155
3.10	Функциональные особенности сварочного аппарата	155
3.11	Информация о потреблении	157
4	ТЕХОБСЛУЖИВАНИЕ И УСТРАНЕНИЕ НЕИСПРАВНОСТЕЙ	
4.1	Техобслуживание	158
4.2	Устранение неисправностей	159
4.3	Коды неисправностей	161
5	ПРИЛОЖЕНИЕ	
5.1	Списки запасных частей	162
5.2	Блок-схема	164
5.3	Принципиальная схема гидроагрегата	165

ПРАВИЛА ТЕХНИКИ БЕЗОПАСНОСТИ

Соблюдайте все правила техники безопасности, указанные в этом руководстве!

Описание сведений по технике безопасности



- Знаки по технике безопасности, указанные в руководстве, используются для определения потенциальных источников опасности.
- При размещении какого-либо знака по технике безопасности в этом руководстве его следует понимать как указание на наличие риска телесных повреждений и во избежание потенциальной опасности внимательно ознакомиться с предоставленными далее пояснениями.
- Владелец оборудования несёт ответственность за предотвращение доступа посторонних лиц к оборудованию.
- Лица, осуществляющие эксплуатацию оборудования, должны иметь опыт или пройти полную подготовку по вопросу выполнения сварочных сварка / резка; перед работой на оборудовании ознакомьтесь с руководством по эксплуатации и соблюдайте инструкции по технике безопасности.

Описание знаков по технике безопасности

ВНИМАНИЕ



Указывает на потенциально опасную ситуацию, которая может привести к травме или повреждению. Несоблюдение этой меры предосторожности может привести к травме или потере/повреждению имущества.



ВАЖНО

Указывает на информацию и предупреждения, касающиеся эксплуатации.



ОПАСНОСТЬ

Указывает на серьёзную опасность. В случае непринятия мер может привести к смерти или серьёзным травмам.

Понимание предупреждений по технике безопасности



- Внимательно прочитайте руководство по эксплуатации, а также ознакомьтесь с маркировкой (ярлыком) и предупреждениями по технике безопасности, размещёнными на оборудовании.
- Убедитесь, что предупреждающая маркировка находится в надлежащем состоянии. Замените отсутствующие и повреждённые ярлыки.
- Ознакомьтесь со способом эксплуатации оборудования и правильными методами управления оборудованием.
- Осуществляйте эксплуатацию вашего оборудования в соответствующей одежде.
- Несоответствующие изменения, проводимые на вашем оборудовании, негативно скажутся на безопасной эксплуатации и сроке службы оборудования.
- Производитель не несёт ответственности за какие-либо последствия, возникающие в результате эксплуатации устройства за пределами вышеуказанных условий.

Поражение электротоком может привести к летальному исходу



Убедитесь, что процедуры установки соответствуют национальным электрическим стандартам и иным соответствующим нормам, а также обеспечьте установку оборудования компетентными лицами.

- Пользуйтесь сухими и неповреждёнными изолированными перчатками и рабочим фартуком. Запрещается использовать мокрые или повреждённые перчатки и рабочие фартуки.
- Носите огнестойкую защитную одежду, чтобы избежать ожогов. Одежда, используемая оператором, должна защищать от искр, брызг и излучения дуги.
- Не работайте в одиночку. В случае опасности убедитесь, что у вас есть помощник на рабочем месте.
- Не касайтесь электрода голыми руками. Не допускайте контакта держателя электрода или электрода с другими людьми или заземлёнными предметами.
- Никогда не прикасайтесь к частям, которые разносят электричество.
- Не прикасайтесь к электроду при контакте с электродом, подключённым к рабочей поверхности, полу или другому оборудованию.

- Вы можете защитить себя от возможных поражений электрическим током, изолировав себя от рабочей поверхности и пола. Используйте сухой, неповреждённый, невоспламеняющийся электроизоляционный материал таких размеров, чтобы он был пригодным для предотвращения контакта оператора с рабочей поверхностью.
- Не подключайте более одного электрода к держателю электрода.
- Подсоедините зажим заземления к заготовке или рабочему столу как можно ближе, чтобы обеспечить хороший контакт металла с металлом.
- Проверьте горелку перед работой со сварочным аппаратом. Убедитесь, что горелка и его кабели в хорошем состоянии. Обязательно замените поврежденную изношенную горелку.
- Не касайтесь держателей электродов, подключенных к двум сварочным аппаратам одновременно, так как будет присутствовать двойное напряжение холостого хода.
- Держите аппарат выключенным и отсоедините кабели, когда она не используется.
- Перед ремонтом машины отключите все электрические соединения и / или разъёмы или выключите машину.
- Будьте осторожны при использовании длинного сетевого кабеля.
- Убедитесь, что все соединения чистые и сухие.
- Следите за тем, чтобы кабели были сухими, чистыми и обезжиренными, а также защищенными от горячего металла и искр.
- Оголенная проводка может убить. Часто проверяйте все кабели на предмет возможных повреждений. Если обнаружен поврежденный или неизолированный кабель, немедленно отремонтируйте или замените его.
- Если зажим заземления не подключен к заготовке, изолируйте его, чтобы предотвратить контакт с любым металлическим предметом.
- Убедитесь, что заземление линии питания подключено правильно.
- Не используйте источник переменного тока во влажных, сырых или перегруженных местах, а также в местах, где существует опасность падения.
- Используйте источник переменного тока ТОЛЬКО, если это необходимо для процесса сварки.
- Если требуется источник переменного тока, используйте дистанционное управление источником, если оно имеется на устройстве.

Дополнительные меры предосторожности требуются при наличии любого из следующих электрически опасных условий:

- во влажных местах или в мокрой одежде,
- на металлических конструкциях, таких как полы, решетки или строительные леса,
- когда вы находитесь в стесненном положении, например, сидя, на коленях или лежа,
- когда существует высокий риск неизбежного или случайного контакта с заготовкой или землей.

Для этих условий используйте следующее оборудование:

- Полуавтоматический аппарат для сварки MIG постоянного напряжения (CV),
- Ручной сварочный аппарат MMA постоянного тока,
- Сварочный аппарат постоянного или переменного тока с пониженным напряжением холостого хода (VRD), если имеется.

Процедуры при поражении электрическим током



- Отключите электричество.
- Используйте непроводящий материал, например сухую древесину, чтобы освободить пострадавшего от контакта с токоведущими частями или проводами.
- Позвоните в службу экстренной помощи.

Если у вас есть обучение оказанию первой помощи;

- Если пострадавший не дышит, проведите сердечно-легочную реанимацию (СЛР) сразу после разрыва контакта с источником электричества. Продолжайте СЛР (массаж сердца) до тех пор, пока не начнется дыхание или пока не прибудет помощь.
- Если имеется автоматический электронный дефибриллятор (AED), используйте его в соответствии с инструкциями.
- Относитесь к электрическому ожогу как к термическому ожогу, прикладывая стерильные холодные (ледяные) компрессы. Избегайте загрязнения и накройте чистой сухой повязкой.

Движущиеся части могут привести к телесным повреждениям



- Не приближайтесь к движущимся объектам.
- Закрывайте и запирайте все крышки, панели, дверцы и т.п. защитные приспособления оборудования и устройств.
- Носите ботинки с металлическим носком на случай падения тяжёлых предметов.

Дым и газы могут нанести вред вашему здоровью



Во время выполнения сварки / резки и резки чрезвычайно опасно вдыхать дым и газ в течение длительного времени.

- Жжение и раздражение глаз, носа и горла указывают на недостаточность вентиляции. В этом случае необходимо незамедлительно улучшить уровень вентиляции и, если проблема не устранена, остановить сварку / резку.
- Предусмотрите на рабочем участке систему естественной или искусственной вентиляции.
- На участках выполнения сварки / резки или резки используйте соответствующую систему удаления дыма. При необходимости установите систему, которая обеспечит вывод дыма и газов, накапливающихся в цехе в целом. Во избежание загрязнения окружающей среды во время выброса газов используйте соответствующую систему фильтрации.
- При проведении работ в ограниченном пространстве или при выполнении сварки / резки материалов с покрытием из свинца, бериллия, кадмия, цинка, а также окрашенных материалов, помимо вышеуказанных мер предосторожности, используйте маски, обеспечивающие подачу свежего воздуха.
- Если газовые баллоны сгруппированы в отдельной зоне убедитесь в наличии хорошей вентиляции в этом помещении; закрывайте главные клапаны по окончании использования газовых баллонов, проверяйте баллоны на предмет утечки газа.
- Защитные газы (аргон и т.п.) плотнее воздуха и при использовании в помещении могут попадать в дыхательные пути вместо воздуха. Это опасно для вашего здоровья.
- Не проводите сварочные работы при наличии паров хлорированных углеводородов, выделяющихся во время смазочных и покрасочных работ.
- Некоторые сварные / вырезанные детали требуют специальной вентиляции. Следует внимательно прочитать правила безопасности продуктов, требующих специальной вентиляции. В случаях, когда требуется противогаз, следует надеть подходящий противогаз.

Излучение сварочной дуги может нанести вред вашим глазам



- Для защиты глаз и лица используйте соответствующую защитную маску и пригодный для маски стеклянный фильтр.
- Защищайте от этого излучения также другие части тела (руки, шею, уши и т.д.) соответствующей защитной одеждой.
- Для предупреждения возникновения у окружающих повреждений от воздействия сварочной дуги и горячих металлов, оградите ваш рабочий участок огнестойкими экранами высотой на уровне глаз и повесьте предупреждающие знаки.
- Оборудование не предназначено для нагревания замёрзших труб. Проведение таких работ сварочным аппаратом может привести к взрыву, пожару или повреждению вашего оборудования.

Искры и разбрызгивающиеся частицы могут нанести повреждения глазам



- При выполнении таких работ, как сварка, шлифовка или зачистка поверхности, могут образоваться искры и происходить разбрызгивание металлических частиц. Для предупреждения телесных повреждений надевайте под маску утверждённые к применению защитные рабочие очки с боковыми щитками.

Горячие детали могут привести к тяжёлым ожогам



- Не прикасайтесь к горячим деталям голыми руками.
- Перед работой с деталями оборудования подождите некоторое время, пока они остынут.
- При необходимости контакта с горячими деталями, используйте соответствующие инструменты, теплоизоляционные сварочные перчатки и огнеупорную одежду.

Повышенный Уровень Шума Может Нанести Вред Слуху



- Шум, выделяемый некоторым оборудованием и работами, может нанести вред слуху.
- При повышенном уровне шума используйте утверждённые к применению защитные наушники.

Сварочная проволока может нанести телесные повреждения



- При разматывании катушки сварочной проволоки не направляйте горелку на какую-либо часть тела, а также на других людей или какие-либо металлические предметы.
- При разматывании вручную катушки сварочной проволоки, особенно, небольшого диаметра, проволока может выскочить из ваших рук, как пружина, и травмировать вас или окружающих, поэтому при выполнении этих работ особое внимание уделите защите глаз и лица.

Сварка может привести к пожарам и взрывам



- Запрещается производить сварку вблизи легковоспламеняющихся материалов. Это может привести к пожару или взрыву.
- Перед проведением сварочных работ удалите эти предметы с участка или накройте их защитными покрытиями для предупреждения возгораний.
- На этих участках применяются специальные национальные и международные правила.

- Не производите сварку и резку полностью закрытых труб или трубок.
- Перед выполнением сварка / резка труб и закрытых емкостей откройте их, полностью опорожните, проветрите и очистите. Соблюдайте максимальную осторожность при выполнении сварка / резка на таких участках.
- Не производите сварку опорожнённых труб и трубок, которые ранее содержали вещества, способные вызвать взрыв, пожар или другие реакции.
- Сварочное оборудование имеет свойство нагреваться. Поэтому не размещайте его на легко воспламеняемых или легко повреждаемых поверхностях!

- Сварочные искры могут привести к возникновению пожара. По этой причине обеспечьте наличие в легко доступных для вас местах таких материалов, как огнетушители, вода и песок.
- Используйте обратные клапаны, газовые регуляторы и клапаны в сетях горючих, взрывоопасных газов и сжатого газа.

Выполнение технического обслуживания оборудования устройств некомпетентными лицами может привести к телесным повреждениям



- Запрещается привлекать некомпетентных лиц к ремонту оборудования. Ошибки, которые могут быть допущены при нарушении этого требования, могут привести к серьёзным травмам или летальному исходу.
- Элементы газовой сети работают под давлением; в результате манипуляций, производимых некомпетентными лицами, могут возникнуть взрывы, и пользователи могут получить серьёзные травмы.
- Рекомендуется производить обслуживание оборудования и его периферийных устройств не реже одного раза в год.

Сварка / Резка на небольших участках и участках с ограниченным пространством



- Выполняйте сварку/резку на небольших участках и участках с ограниченным пространством в присутствии ещё одного человека.
- По мере возможности избегайте проведения сварочных работ/резки в ограниченных пространствах.

Несоблюдение необходимых мер предосторожности при перемещении оборудования может привести к несчастным случаям



- При перемещении оборудования соблюдайте все необходимые меры предосторожности. Участки, на которых будет производиться перемещение, части, подлежащие перемещению, а также физическое состояние и здоровье людей, вовлечённых в процесс перемещении оборудования, должны соответствовать требованиям процедуры перемещения и транспортировки.
- Некоторое оборудование имеет большую массу, поэтому при перемещении убедитесь в принятии всех мер предосторожности по охране окружающей среды.
- Если сварочный аппарат предполагается использовать на платформе, необходимо убедиться в том, что такая платформа имеет соответствующие пределы нагрузки.
- При перемещении оборудования при помощи какого-либо механизма (тележка, вилочный погрузчик и пр.) убедитесь в надлежащем состоянии точек крепления механизма и оборудования (крепление подвесок, ремней для перемещения, болтов, гаек, колёс и т.п.).
- При выполнении перемещения вручную убедитесь в надлежащем состоянии приспособлений оборудования (подвески, ремни для перемещения и т.п.) и их креплений.

Падение частей оборудования может привести к телесным повреждениям



Неправильное расположение источника питания или иного оборудования может привести к серьёзным травмам и повреждению имущества.

- С целью обеспечения необходимых требований для перемещения соблюдайте правила Международной организации труда в отношении веса перемещаемого оборудования, а также нормативы по перемещению оборудования, действующее в вашей стране.
- При перемещении источника питания используйте специальные приспособления (держатели или проушины). Запрещается перемещать оборудование, удерживая его за горелку, кабель или шланги. Перемещение газовых баллонов осуществляйте отдельно от всего оборудования.
- Перед перемещением сварочного и режущего оборудования демонтируйте все промежуточные соединения, осуществляйте поднятие и перемещение небольших частей посредством ручек, а более крупных частей с помощью соответствующих приспособлений (проушины) или вилочных погрузчиков.
- Во избежание падений и опрокидывания вашего оборудование его необходимо разместить на основании (полу) или платформе с максимальным уклоном 10°. Это предупредит воспрепятствование подаче материала и риск застопоривания в кабелях и шлангах; предпочитайте для установки оборудования неподвижные широкие, не запылённые, легко вентилируемые участки. Во избежание опрокидывания газовых баллонов закрепите их, при наличии, на пригодной для баллонов платформе, находящейся на оборудовании, а при стационарном использовании, зафиксируйте баллон надёжным способом, прикрепив его к стене.
- Обеспечьте операторам лёгкий доступ к настройкам и подключениям на оборудовании.

Чрезмерная эксплуатация приводит к перегреву оборудования



- Обеспечьте остывание оборудования в соответствии с рабочим циклом.
- Перед повторным началом сварочных работ уменьшите коэффициент тока или загрузку рабочего цикла.
- Не закрывайте вентиляционные отверстия оборудования.
- Не устанавливайте фильтры в вентиляционные отверстия оборудования без разрешения производителя.

Дуговая сварка может вызвать электромагнитные помехи



- Данное устройство относится к группе 2, класс А в испытаниях электромагнитной совместимости (ЭМС) в соответствии со стандартом TS EN 55011.
- Данное устройства класса А не предназначено для эксплуатации в жилых помещениях с подачей электроэнергии от низковольтной сети. Возможны затруднения в достижении электромагнитной совместимости в связи с радиочастотными помехами, передача и распространение которых имеют место на таких участках.



Это устройство не соответствует стандарту IEC61000-3-12. При необходимости подключения к низковольтной сети, используемой в бытовых условиях, специалист, который будет осуществлять электрическое подключение, или лицо, которое будет эксплуатировать оборудование, должны быть осведомлены в вопросе особенности подключения оборудования, в этом случае пользователь несёт ответственность за проведение таких работ.

- Убедитесь, что рабочая зона соответствует электромагнитной совместимости (ЭМС). Электромагнитные помехи во время сварка / резка или резки могут вызвать нежелательные воздействия на ваши электронные устройства в вашей сети, и пользователь несёт ответственность за какие-либо помехи, которые могут возникнуть во время проведения работ.
- При возникновении каких-либо помех, могут быть приняты дополнительные меры для обеспечения совместимости в виде использования коротких кабелей, экранированных кабелей, перемещения сварочного аппарата в другое место, отдаления кабеля от оборудования и/или участка, попавшего под воздействие использования фильтров или защиты рабочего участка в аспекте ЭМС.
- Во избежание возможных повреждений в связи с нарушением ЭМС выполняйте сварочные работы как можно дальше (100м) от вашего чувствительного электронного оборудования.
- Убедитесь в установке и размещении вашего сварочного аппарата или газового резака в соответствии с руководством по эксплуатации.

**Оценка
электромагнитной
совместимости
рабочего
участка**



Согласно пункту 5.2 стандарта IEC 60974-9,

Перед установкой сварочного и режущего оборудования уполномоченное лицо предприятия и/ или пользователь должны произвести осмотр участка на предмет возможных электромагнитных помех на прилегающей территории. Необходимо обратить внимание на следующие вопросы:

- a) наличие других кабелей питания, кабелей управления, сигнальных и телефонных кабелей сверху, снизу и рядом со сварочным аппаратом и оборудованием;
- b) наличие радио- и телевизионных передатчиков и приемников;
- c) наличие компьютерного и иного оборудования, используемого для управления;
- d) наличие критического оборудования для обеспечения безопасности, например для защиты промышленного оборудования;
- e) наличие медицинских аппаратов (например, кардиостимуляторов и слуховых аппаратов), используемых населением на прилегающей территории;
- f) наличие оборудования, используемого для измерения или калибровки;
- g) невосприимчивость иного оборудования, находящегося на прилегающей территории. Пользователь должен убедиться, что иное оборудование, используемое на прилегающей территории, является совместимым. Это может потребовать дополнительных мер защиты;
- h) Границы рассматриваемого участка могут быть расширены в соответствии с размерами прилегающей территории, конструкцией зданий и иными работами, выполняемыми в здании, с учётом времени, в течение которого предполагается производить сварочные или иные работы в течение дня.

В дополнение к оценке участка также может потребоваться оценка мест установки устройств с целью устранения нарушающего совместимость воздействия. При необходимости, для подтверждения эффективности мер по снижению воздействия также можно провести измерения на месте. (Источник: МЭК 60974-9).

**Методы снижения
помех**



- Устройство должно быть подключено к источнику питания компетентным специалистом в соответствии с рекомендациями. При возникновении помех могут применяться дополнительные меры, такие как фильтрация сети. Электропитание оборудования для дуговой сварка / резка с фиксированным креплением должно осуществляться при помощи кабеля, проложенного через металлическую трубу или эквивалентного экранированного кабеля. Необходимо подключить экран и корпус источника питания, и между этими двумя конструкциями должен быть обеспечен хороший электрический контакт.
- Необходимо выполнять рекомендуемое плановое обслуживание устройства. При эксплуатации устройства должны быть закрыты и/или заперты все крышки корпуса оборудования. Без письменного разрешения производителя в устройство запрещается вносить какие-либо изменения или модификации, отличные от стандартных настроек. В противном случае вся ответственность за какие-либо последствия возлагается на пользователя.
- Сварочные кабели должны быть максимально короткими. Кабели должны выходить из пола рабочего участка бок о бок. Наматывание сварочных кабелей запрещено.
- Во время сварки / резки в оборудовании генерируется магнитное поле. Это может привести к притяжению оборудования металлическими предметами.
Для предотвращения этого убедитесь в размещении металлических материалов на безопасном расстоянии или в надёжной фиксации таких материалов. Оператор должен быть изолирован от всех таких взаимосвязанных металлических материалов.
- В случае отсутствия заземления обрабатываемого объекта или изделия, по соображениям электрической безопасности или в связи с его габаритными размерами и положением (например, при изготовлении корпуса судна или стальной конструкции), подключение между обрабатываемым объектом или изделием и землёй в некоторых случаях может снизить выбросы, и необходимо помнить, что заземление обрабатываемого объекта или изделия может привести к телесным повреждениям пользователя или неисправностям иного электрического оборудования, находящегося на прилегающей территории. При необходимости, заземление обрабатываемого объекта или изделия может быть выполнено прямым способом, но в некоторых странах, в которых прямое заземление запрещено, подключение может быть создано при помощи соответствующих элементов ёмкости в соответствии с местными нормами и правилами.
- Экранирование и защита других устройств и кабелей на рабочем участке может предотвратить возникновение воздействий, нарушающих совместимость. Для некоторых случаев может рассматриваться полное экранирование участка сварки / резки.

Дуговая сварка может создавать электромагнитное поле (ЭМП)



Электрический ток, проходящий через какой-либо проводник, создаёт локальные электрические и магнитные поля (ЭМП). Все сварщики должны применять следующие процедуры с целью минимизации риска воздействия ЭМП от сварочной цепи:

- Для уменьшения магнитного поля сварочные кабели должны быть объединены и как можно более надёжно закреплены с помощью крепёжных материалов (ленты, кабельные стяжки и т.п.).
- Тело и голова сварщика/рабочего должны находиться как можно дальше от сварочного аппарата и кабелей.
- Сварочные и электрические кабели ни в коем случае нельзя наматывать на корпус аппарата.
- Тело сварщика не должно находиться между сварочными кабелями. Оба сварочных кабеля должны находиться вдали от тела сварщика, рядом друг с другом.
- Обратный кабель должен быть подключён к обрабатываемому объекту или изделию максимально близко к участку сварки / резки.
- Запрещается опираться, садиться на источник питания сварочного аппарата, а также работать в непосредственной близости к нему.
- Запрещается производить сварки / резки во время перемещения устройства подачи сварочной проволоки или источника питания сварочного аппарата.

ЭМП также может нарушать работу медицинских имплантатов (кардиостимуляторы и т.п.). В виду этого для людей с медицинскими имплантатами должны быть приняты отдельные меры предосторожности. Например, введение ограничений на доступ для пересекающих дорогу людей, а также оценка индивидуальных рисков для сварщиков. Оценка рисков и выдача рекомендаций для пользователей с медицинскими имплантатами должна выполняться медицинским работником.

Защита



- Не подвергайте оборудование воздействию дождя, избегайте попадания на оборудование брызг воды или пара под давлением.

Энергоэффективность



- Выберите метод сварка / резка и сварочный аппарат, соответствующий запланированным сварочным работам.
- Установите параметры сварочного тока и/или напряжения, соответствующие материалу, подлежащему сварки / резки, а также его толщине.
- При длительном простое сварочного оборудования выключите оборудование после его охлаждения вентилятором. Наше оборудование (наша продукция), оснащённое вентилятором с интеллектуальным управлением, отключается автоматически.

Процедура утилизации отходов



- Это устройство не является бытовым мусором. Утилизация устройства должна осуществляться в рамках национального законодательства в соответствии с директивой Европейского Союза.
- Получите информацию об утилизации отходов вашего использованного оборудования у вашего дилера и компетентных лиц.

ФОРМА ГАРАНТИИ



Пожалуйста, посетите наш сайт www.magmaweld.ru/гарантийный-малон/wr для формы гарантии.

ТЕХНИЧЕСКАЯ ИНФОРМАЦИЯ

1.1 Общее описание

ID 300 МК / MKW PULSE SMART, ID 400 МК / MKW PULSE SMART — это трехфазный инверторный сварочный аппарат MIG/MAG с технологией Pulse, предназначенный для тяжелых условий эксплуатации. Он предлагает легкое движение с его компактной структурой. Обладает отличными сварочными характеристиками со всеми сплошными и порошковыми проволоками. Блок питания СС/СV; Он позволяет выполнять сварку методами MIG, TIG, MMA и углеродную резку на одном аппарате. Благодаря своей синергетической функции сварочный ток и напряжение регулируются автоматически после определения типа проволоки, толщины и типа газа. Классический и интеллектуальный режимы позволяют пользователю легко адаптироваться к синергетическому режиму.

RU

1.2 Комплектующие сварочного аппарата

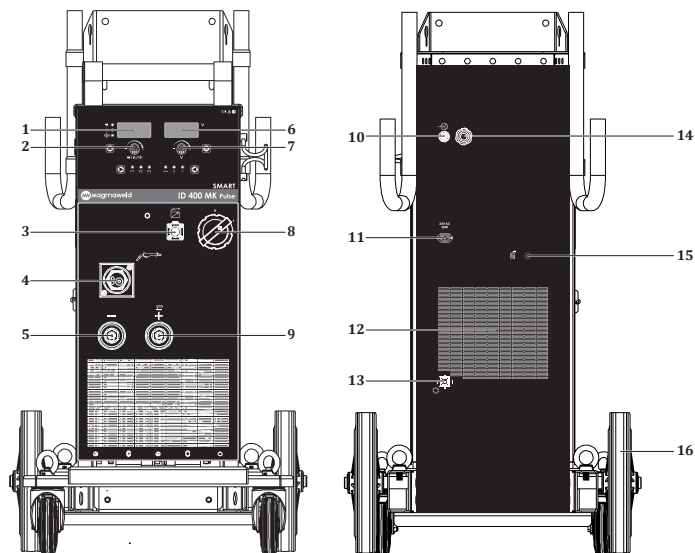


Рисунок 1 : ID 300 МК PULSE SMART / ID 400 МК PULSE SMART

Вид спереди и сзади

- | | |
|---------------------------------------|---|
| 1- Цифровой дисплей | 9- Электрод (+) полюсное соединение |
| 2- Горшок для установки | 10- Вход газа |
| 3- Разъем данных | 11- Нагревательная розетка |
| 4- Подключение горелки | 12- Вентилятор |
| 5- Полюсное соединение | 13- Энергетическая розетка водяного блока |
| 6- Цифровой дисплей | 14- Сетевой кабель |
| 7- Горшок для установки | 15- Вход провода канистры |
| 8- Переключатель включения/выключения | 16- Колесо |

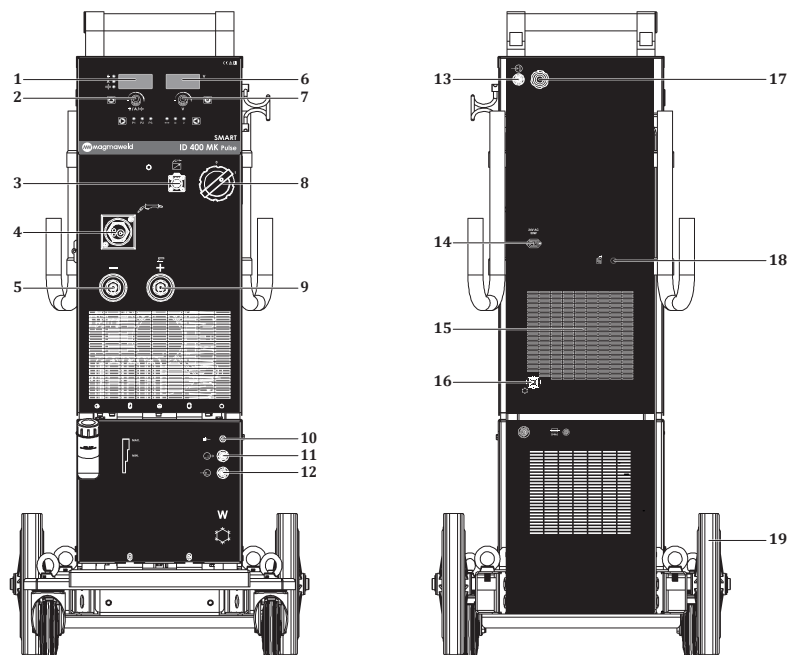


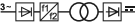




Рисунок 2 : ID 300 MKW PULSE SMART / ID 400 MKW PULSE SMART

Вид спереди и сзади

- | | |
|---------------------------------------|---|
| 1- Цифровой дисплей | 11- Вход горячей воды водяного блока |
| 2- Горшок для установки | 12- Выход холодной воды водяного блока |
| 3- разъем данных | 13- Вход газа |
| 4- Подключение горелки | 14- Нагревательная розетка |
| 5- Полюсное соединение | 15- Вентилятор |
| 6- Цифровой дисплей | 16- Энергетическая розетка водяного блока |
| 7- Горшок для установки | 17- Сетевой кабель |
| 8- Переключатель включения/выключения | 18- Вход провода канистры |
| 9- Электрод (+) полюсное соединение | 19- Колесо |
| 10- Светодиод водяного блока | |

1.3 Этикетка продукта

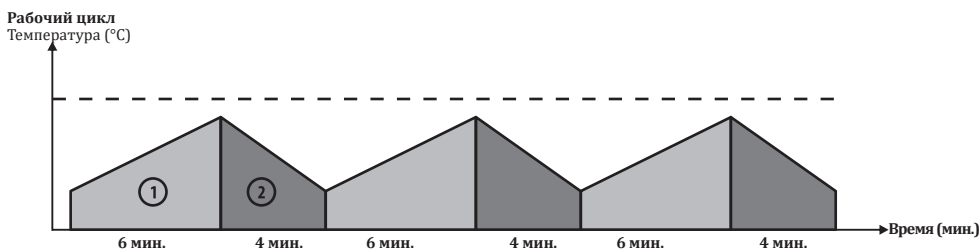
MAGMA MEKATRONİK MAKİNE SAN. VE TİC. A.Ş. Organize Sanayi Bölgesi 5.Kısım Manisa-TÜRKİYE											
ID 300MK Pulse SMART					S/N:						
					EN 60974-1 / EN 60974-10 Class A						
50A / 22V - 300A / 32V					50A / 16.5V - 300A / 29V						
	---	X _(40C)	40%	60%	100%		---	X _(40C)	40%	60%	100%
	U _s =82V	I ₂	300A	245A	190A		U _s =82V	I ₂	300A	245A	190A
	U ₂	32V	29.8V	27.6V		U ₂	29V	26.2V	23.5V		
	U ₁ =400V	I _{1max} = 23.2A	I _{1ref} = 14.7A		U ₁ =400V	I _{1max} = 21.3A	I _{1ref} = 13.5A				
IP21S					CE EAC UK CA						
MAGMA MEKATRONİK MAKİNE SAN. VE TİC. A.Ş. Organize Sanayi Bölgesi 5.Kısım Manisa-TÜRKİYE											
ID 300MKW Pulse SMART					S/N:						
					EN 60974-1 / EN 60974-10 Class A						
50A / 22V - 300A / 32V					50A / 16.5V - 300A / 29V						
	---	X _(40C)	40%	60%	100%		---	X _(40C)	40%	60%	100%
	U _s =82V	I ₂	300A	245A	190A		U _s =82V	I ₂	300A	245A	190A
	U ₂	32V	29.8V	27.6V		U ₂	29V	26.2V	23.5V		
	U ₁ =400V	I _{1max} = 23.2A	I _{1ref} = 14.7A		U ₁ =400V	I _{1max} = 21.3A	I _{1ref} = 13.5A				
IP21S					CE EAC UK CA						
MAGMA MEKATRONİK MAKİNE SAN. VE TİC. A.Ş. Organize Sanayi Bölgesi 5.Kısım Manisa-TÜRKİYE											
ID 400MK Pulse SMART					S/N:						
					EN 60974-1 / EN 60974-10 Class A						
50A / 22V - 400A / 36V					50A / 16.5V - 400A / 34V						
	---	X _(40C)	40%	60%	100%		---	X _(40C)	40%	60%	100%
	U _s =82V	I ₂	400A	327A	253A		U _s =82V	I ₂	400A	327A	253A
	U ₂	36V	33.1V	30.1V		U ₂	34V	30.3V	26.6V		
	U ₁ =400V	I _{1max} = 33.5A	I _{1ref} = 21.2A		U ₁ =400V	I _{1max} = 32.1A	I _{1ref} = 20.3A				
IP21S					CE EAC UK CA						
MAGMA MEKATRONİK MAKİNE SAN. VE TİC. A.Ş. Organize Sanayi Bölgesi 5.Kısım Manisa-TÜRKİYE											
ID 400MKW Pulse SMART					S/N:						
					EN 60974-1 / EN 60974-10 Class A						
50A / 22V - 400A / 36V					50A / 16.5V - 400A / 34V						
	---	X _(40C)	40%	60%	100%		---	X _(40C)	40%	60%	100%
	U _s =82V	I ₂	400A	327A	253A		U _s =82V	I ₂	400A	327A	253A
	U ₂	36V	33.1V	30.1V		U ₂	34V	30.3V	26.6V		
	U ₁ =400V	I _{1max} = 33.5A	I _{1ref} = 21.2A		U ₁ =400V	I _{1max} = 32.1A	I _{1ref} = 20.3A				
IP21S					CE EAC UK CA						

	Трехфазный Трансформатор - Выпрямитель	X	Рабочий Цикл
CC / CV	Стабилизированный Выходной Ток / Стабилизированное Выходное Напряжение	U ₀	Напряжение Работы Без Нагрузки
	Постоянный Ток	U ₁	Напряжение И Частота Сети
	MIG / MAG - Сварка	U ₂	Номинальное Напряжение Сварочного Тока
	Сетевой Вход-3-Фазный Переменный Ток	I ₁	Номинальное Потребление Тока Сети
	Пригоден Для Работы В Опасных Условиях	I ₂	Номинальный Сварочный Ток
S/N	Серийный номер	S ₁	Потребляемая Мощность Сети
	• S / N (Серийный номер) Описание	IP21	Класс Защиты

ID аппарата				Продукция				Порядковый номер				
				Год	Неделя							
X	X	X	X	X	X	X	X	X	X	X	X	X

Группа аппаратов Порядковый номер аппаратов

Порядковый номер машины, произведенной в этом году



Согласно стандарту EN 60974-1, продолжительность рабочего цикла включает период времени 10 минут. Например, если машина, указанная как 250А при% 60, должна работать при 250А, машина может выполнять сварку / резку без перерыва в первые 6 минут из 10-минутного периода (зона 1). Тем не менее, следующие 4 минуты следует оставить без нагрузки для охлаждения машины (зона 2).

1.4 Технические характеристики

ТЕХНИЧЕСКИЕ ХАРАКТЕРИСТИКИ		Ед. изм.	ID 300 МК/МКW PULSE SMART
Сетевое Напряжение (3 фаза - 50-60 Гц)		В	400
Входная Мощность (ММА)		кВА	14,7
Эффективность источника питания		%	ММА 86,21 / MIG 87,01
Потребляемая мощность в режиме ожидания		W	23
Диапазон Настройки Сварочного Тока		А пост.тока	50 - 300
Номинальный сварочный ток		А пост.тока	300
Напряжение открытого контура сварки		В пост.тока	82
Размеры (ДхШхВ)	МК	мм	1138 x 528 x 837
	МКW		1180 x 528 x 1137
Вес	МК	кг	86
	МКW		110
Класс защиты			IP21S

ТЕХНИЧЕСКИЕ ХАРАКТЕРИСТИКИ		Ед. изм.	ID 400 МК/МКW PULSE SMART
Сетевое Напряжение (3 фаза - 50-60 Гц)		В	400
Входная Мощность (ММА)		кВА	22,1
Эффективность источника питания		%	ММА 86,61 / MIG 87,07
Потребляемая мощность в режиме ожидания		W	23
Диапазон Настройки Сварочного Тока		А пост.тока	50 - 400
Номинальный сварочный ток		А пост.тока	400
Напряжение открытого контура сварки		В пост.тока	82
Размеры (ДхШхВ)	МК	мм	1138 x 528 x 837
	МКW		1180 x 528 x 1137
Вес	МК	кг	86
	МКW		110
Класс защиты			IP21S

1.5 Принадлежности

СТАНДАРТНЫЕ АКСЕССУАРЫ	КОЛ-ВО	ID 300 МК/МКW PULSE SMART	ID 400 МК/МКW PULSE SMART
Клемма и кабель заземления	1	7905203505 (35 mm ² - 5 м)	7905305005 (50 mm ² - 5 м)
Газовый шланг	1		7907000002
Набор принадлежностей MIG / MAG CO ₂ *	1		-
Набор принадлежностей MIG / MAG Mix / Аргон *	1		-

* Необходимо уточнять при оформлении заказа.

ДОПОЛНИТЕЛЬНЫЕ АКСЕССУАРЫ	КОЛ-ВО	ID 300 - 400 МК/МКW PULSE SMART
Подогреватель CO ₂ (24V)	1	7020009003
Газовый Регулятор (CO ₂)	1	7020001005
Газовый Регулятор (Mix)	1	7020001004
Горелка MIG Lava MIG 50 Вт (3 м) с водяным охлаждением	1	7120050003

ИНФОРМАЦИЯ ПО УСТАНОВКЕ И НАСТРОЙКЕ

2.1 Контроль доставки

Убедитесь, что вместе со сварочным аппаратом доставлены все заказанные материалы. В случае отсутствия или повреждения какого-либо материала, немедленно свяжитесь с компанией, у которой был приобретён сварочный аппарат.

Стандартная комплектация сварочного аппарата содержит следующее:

- Главный корпус сварочного аппарата и сетевой кабель, подключенный к аппарату
- Клемма и кабель заземления
- Шланг газового баллона
- Руководство по эксплуатации
- Сварочная проволока
- Гарантийный талон

В случае если во время получения аппарата будут выявлены повреждения, составьте протокол и сфотографируйте повреждения. Приложите протокол и фотографии к фотокопии накладной и известите транспортную компанию. В случае отсутствия ответа на ваше обращение в транспортную компанию, обратитесь в службу поддержки клиентов.

Символы и обозначения, установленные на сварочном аппарате:



Процесс сварки представляет опасность для человека и окружающих предметов. Выполнение сварки должно осуществляться в соответствующих условиях с принятием необходимых мер безопасности. Ответственность за сохранность и исправность сварочного аппарата, обеспечение необходимого оснащения возлагается на специалистов. Предупредите нахождение посторонних людей вблизи сварочного аппарата.



Данный сварочный аппарат не соответствует стандарту IEC 61000-3-12. В случае если сварочный аппарат будет подключён к сети низкого напряжения, используемого для электроснабжения жилых помещений, пользователь несёт полную ответственность за обеспечение выполнения работ подключения электрических соединений сварочного аппарата электротехником или пользователем аппарата, имеющим знания и навыки по вопросам подключения сварочного аппарата.



Будьте внимательны и строго соблюдайте все символы и предупреждения безопасности, установленные на сварочном аппарате и указанные в Руководстве по эксплуатации. Запрещается удалять этикетки, установленные на сварочном аппарате.



Решётки предназначены для обеспечения вентиляции внутренних частей сварочного аппарата. С целью обеспечения хорошего охлаждения, запрещается закрывать доступ к открытым частям аппарата и размещать инородные предметы внутри корпуса устройства.

2.2 Рекомендации по установке и эксплуатации

- Для перемещения машины следует использовать подъемные кольца или вилочные погрузчики. Не поднимайте машину с газовым баллоном. При переноске портативных сварочных аппаратов вручную необходимо соблюдать правила техники безопасности и охраны труда. На рабочем месте должны быть приняты необходимые меры для обеспечения того, чтобы процесс транспортировки осуществлялся в максимально возможном соответствии с условиями охраны труда и техники безопасности. Меры предосторожности следует принимать в соответствии с характеристиками рабочей среды и требованиями работы. Установите машину на твердую, ровную и гладкую поверхность, где она не упадет и не опрокинется.
- При работе в среде с температурой воздуха выше 40°C, выполняйте работы на сварочном аппарате при более низком сварочном токе или при более низком уровне продолжительности включения.
- Избегайте выполнения сварочных работ вне помещений при ветре или дожде. Если необходимо выполнение сварочных работ при таких погодных условиях, обеспечьте защиту сварочной зоны и сварочного аппарата завесой или тентом.


- При размещении сварочного аппарата убедитесь, что такие материалы, как стены, шторы, панели не препятствуют лёгкому доступу к органам управления и соединениям сварочного аппарата.
- Если сварка выполняется внутри помещения, обеспечьте достаточную систему вытяжки сварочного дыма. При выполнении сварки в закрытых помещениях, в связи с риском вдыхания сварочного дыма и газов, используйте респираторные системы.
- Соблюдайте уровень продолжительности включения П В сварочного аппарата, указанного на заводской табличке устройства. Частое превышение времени работы под нагрузкой может стать причиной повреждения сварочного аппарата и аннулирования гарантийного срока.
- Используйте кабель электропитания, соответствующие указанным параметрам предохранителя.
- Подключите заземляющий кабель как можно ближе к зоне сварки. Не допускайте, чтобы сварочный ток проходил помимо сварочных кабелей по оборудованию, например, непосредственно по сварочному аппарату, газовому баллону, цепи, подшипнику.
- После установки газового баллона на сварочном аппарате, немедленно установите цепь и зафиксируйте газовый баллон. Если газовый баллон не будет устанавливаться на сварочном аппарате, зафиксируйте газовый баллон цепью к стене.
- Электрическая розетка на задней панели сварочного аппарата предназначена для подогревателя CO₂. Розетка предназначена только для подсоединения подогревателя CO₂. Запрещается подсоединять к розетке для подогревателя CO₂ любые другие устройства!

2.3 Соединения сварочного аппарата

2.3.1 Подсоединение электрической вилки



С целью обеспечения вашей безопасности, категорически запрещается использование сетевого кабеля без вилки.

- В связи с тем, что на заводах, стройплощадках и в цехах могут быть установлены различные виды розеток для подсоединения к сетевому электроснабжению, сетевой кабель поставляется без вилки. Установка вилки на сетевой кабель должна выполняться квалифицированным электриком в зависимости от имеющейся розетки сетевого электроснабжения (Рисунок 3). Убедитесь, что имеется кабель заземления жёлтого/зелёного цвета .
- На этом этапе, не подключайте кабель к розетке сетевого электроснабжения непосредственно сразу после подсоединения вилки к сетевому кабелю.

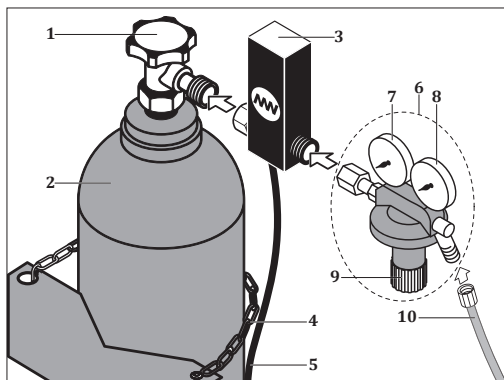
2.3.2 Подсоединение клеммы заземления к рабочей заготовке

- Клемму заземления прочно подсоедините к рабочей заготовке как можно ближе к зоне сварки.

2.3.3 Подсоединение газового баллона

- С целью обеспечения безопасности и получения хороших результатов сварки, используйте регулятор расхода газа, соответствующий стандартам, и подогреватель сварочных газов. Убедитесь, что размеры шланговое соединения регулятора расхода газа 3/8" (9,5 мм).
- Держа голову и лицо вдали от выхода из вентиля газового баллона, откройте вентиль газового баллона и выждите в течение 5 секунд. Таким образом будет обеспечен вывод наружу скоплений и загрязнений.
- Если будет использоваться подогреватель CO₂, вначале подсоедините к газовому баллону подогреватель. После этого подсоедините к подогревателю CO₂ регулятор расхода газа и затем подсоедините вилку подогревателя CO₂ и розетке.
- Если подогреватель CO₂ не будет использоваться, выполните подсоединение регулятора расхода газа непосредственно к газовому баллону.
- Один конец шланга газового баллона подсоедините к регулятору расхода газа и плотно зажмите обжимной хомут. Другой конец шланга подсоедините к входному гнезду для газа на задней панели сварочного аппарата и затяните гайку.

- Откройте вентиль газового баллона и убедитесь, что баллон заполнен и в линии подачи газа отсутствует утечка газа. Если в качестве признаков утечки вы почувствуете запах газа и/или услышите характерный звук, выполните визуальный осмотр соединений и устраните утечку.



- 1- Клапан газового баллона
- 2- Газовый баллон
- 3- Газовый нагреватель CO₂
- 4- Цепь
- 5- Кабель питания нагревателя CO₂
- 6- Газовый регулятор
- 7- Манометр
- 8- Расходомер
- 9- Клапан управления потоком
- 10- Газовая трубка

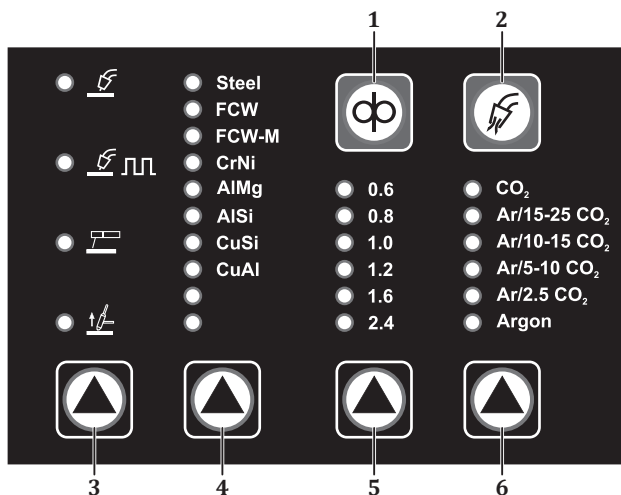
Рисунок 3 : Подсоединение Подогревателя-Регулятора Расхода Газа К Газовому Баллону

2.3.4 Блок водяного охлаждения

- Блок водяного охлаждения, используемый для охлаждения горелки; Это замкнутая система, состоящая из радиатора, вентилятора, помпы бачка охлаждающей жидкости.
- Подсоедините шланг холодной (синий) воды промежуточного блока к выходу холодной воды в системе водяного охлаждения, а шланг горячей (красный) воды к входу горячей воды в системе водяного охлаждения.
- Сварочные аппараты Magmaweld поставляются с охлаждающей жидкостью Magmaweld, которая обеспечивает наилучшую производительность. В случае отсутствия охлаждающей жидкости откройте крышку бачка охлаждающей жидкости и добавьте охлаждающую жидкостью Magmaweld, подходящую для температуры рабочей среды. Уровень охлаждающей жидкости должен находиться в пределах минимальных и максимальных значений, указанных на передней панели агрегата.
- Нельзя добавлять другую охлаждающую жидкостью или воду. Различные жидкие добавки могут вызывать химические реакции или разные проблемы.
- Magmaweld не несет ответственности за риски, которые могут возникнуть в случае добавления других жидкостей. Добавление другой охлаждающей жидкостью или воды в охлаждающую жидкостью Magmaweld аннулирует все гарантийные обязательства.
- Если требуется использовать охлаждающую жидкостью другой марки, внутренняя часть бака охлаждающей жидкостью должна быть полностью пустой и в ней не должно быть остатков или жидкости.
- Установки водяного охлаждения, Машиностроение и торговля Magma Mechatronics. Inc. Он не предназначен для использования в каких-либо иных аппаратах, кроме сварочных. Агрегаты водяного охлаждения не могут работать от внешнего источника питания.

ИНФОРМАЦИЯ ПО ЭКСПЛУАТАЦИИ

3.1 Настройки В Сумке



1-) Подача проволоки без подачи газа

Во время удержания кнопки в нажатом состоянии будет выполняться подача проволоки при закрытом газовом вентиле. Данная кнопка предназначена для подачи проволоки внутрь горелки.


2-) Подача газа без подачи проволоки

Во время удержания кнопки в нажатом состоянии будет выполняться подача газа без подачи проволоки. Данная кнопка может использоваться после перехода на другой газ.


3-) Меню выбора метода сварки

Выполняет выбор методов сварки. Нажатием на кнопку один раз обеспечивается возможность перехода в соответствующем столбце между строками. После выбора метода сварки загорится соответствующий светодиод.



Диапазон настройки

 • MIG/MAG



 • Pulse MIG/MAG

 Импульсный метод сварки доступен только в моделях с Pulse. В моделях без Pulse, когда эта линия будет достигнута, светодиод не загорится, а Pulse не будет активен.

• MMA

  В зависимости от выбранного метода сварки необходимо обеспечить соответствующие соединения и вспомогательные устройства и приспособления. Для выполнения MMA-сварки на передней панели сварочного аппарата имеется отдельный выход.

• Lift TIG

  При методе сварки Lift TIG следует использовать соответствующий адаптер подсоединения коннектора для горелки. Такой специальный адаптер обеспечит возможность использования Евро горелки.

4-) Меню выбора типа сварочной проволоки

Выполняется выбор типа сварочной проволоки. Необходимо правильно выбирать тип сварочной проволоки, которая будет использоваться во время сварки. Нажатием на кнопку один раз обеспечивается возможность перехода в соответствующем столбце между строками. После выбора типа сварочной проволоки загорится соответствующих светодиод.

Диапазон настройки

- Steel
- FCW
- FCW-M
- CrNi
- AlMg
- AlSi
- CuSi
- CuAl

5-) Меню выбора диаметра сварочной проволоки

Выполняется выбор диаметра сварочной проволоки. Необходимо правильно выбирать диаметр сварочной проволоки, которая будет использоваться во время сварки. Нажатием на кнопку один раз обеспечивается возможность перехода в соответствующем столбце между строками. После выбора диаметра сварочной проволоки загорится соответствующих светодиод.

Диапазон настройки

- 0.6 - 2.4 мм

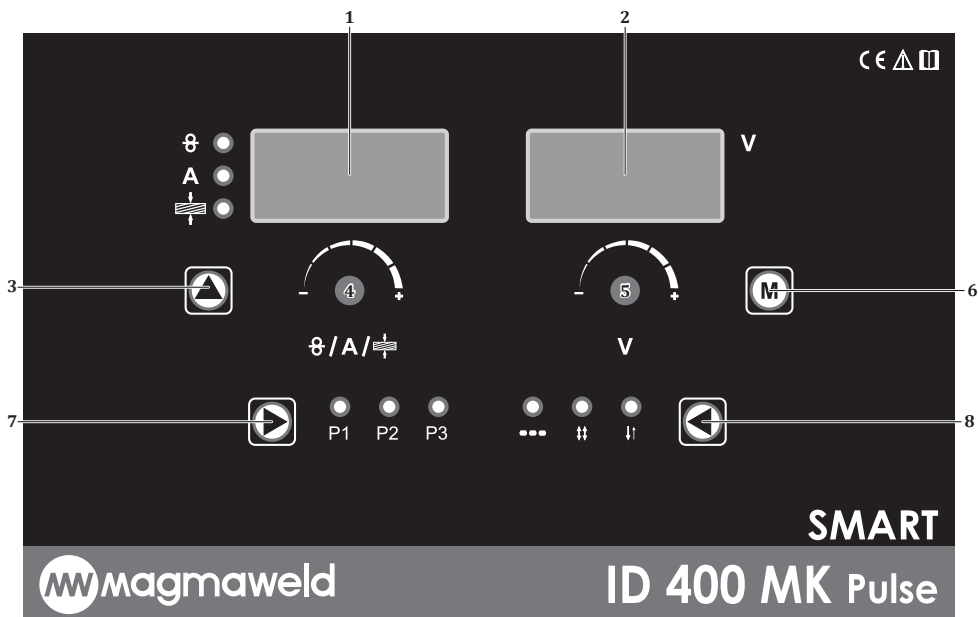
6-) Меню выбора типа газа

Выполняется выбор типа газа. Необходимо правильно выбирать тип газа, который будет использоваться во время сварки. Нажатием на кнопку один раз обеспечивается возможность перехода в соответствующем столбце между строками. После выбора типа газа загорится соответствующих светодиод.

Диапазон настройки

- CO₂
- Ar/15-25 CO₂
- Ar/10-15 CO₂
- Ar/5-10 CO₂
- Ar/2.5 CO₂
- Argon

3.2 Интерфейс Пользователя



1-) Цифровой экран

Показывает содержание меню, сообщения об ошибках, в зависимости от выбранного режима значения сварочного тока во время работы сварочного аппарата без и под нагрузкой, скорость подачи проволоки, толщину свариваемого материала. Все параметры меню выводятся на цифровой экран.

	Работа без нагрузки	Работа под нагрузкой
Синергетический режим	Толщина материала	Сварочный ток
Интеллектуальный режим	Установленный сварочный ток	Сварочный ток
Классический режим	Скорость подачи проволоки	Сварочный ток

2-) Цифровой экран

Показывает параметры настройки функций, в зависимости от выбранного режима сварочное напряжение во время работы сварочного аппарата без и под нагрузкой, толщину.

	Работа без нагрузки	Работа под нагрузкой
Синергетический режим	Установленное сварочное напряжение	Сварочное напряжение
Интеллектуальный режим	Установленное сварочное напряжение	Сварочное напряжение
Классический режим	Установленное сварочное напряжение	Сварочное напряжение

3-) Меню выбора режима сварки

Выполняется выбор режимов сварки. Нажатием на кнопку один раз обеспечивается возможность перехода в соответствующем столбце между строками. После выбора режима сварки загорится соответствующих светодиод.

Диапазон настройки



• Классический режим



• Интеллектуальный режим



• Синергетический режим

После выбора соответствующего метода сварки в меню “МЕТОД”, в меню “РЕЖИМ” изменятся параметры выбора для соответствующего метода сварки. Если в меню “МЕТОД” будет выбран метод MIG/MAG-сварки, режимы сварки будут выглядеть следующим образом:

КЛАССИЧЕСКИЙ РЕЖИМ


Можно самостоятельно установить определённый диапазон погрешности для скорости подачи проволоки и сварочного напряжения. Скорость подачи проволоки может быть установлена в диапазоне 1-24 м/мин., сварочное напряжение - в диапазоне 15 - 40 В

ИНТЕЛЛЕКТУАЛЬНЫЙ РЕЖИМ

Если выбран данный режим, следует убедиться, что правильно выбраны такие параметры сварки, как тип сварочной проволоки, диаметр сварочной проволоки, тип газа. В зависимости от выбранного сварочного тока сварочный аппарат выполнит автоматическую настройку оптимального напряжения. Поворотом кнопки регулятора в сторону +/- можно установить напряжение в определённом диапазоне погрешности.

СИНЕРГЕТИЧЕСКИЙ РЕЖИМ

Необходимо правильно выбрать такие параметры сварки, как тип сварочной проволоки, диаметр сварочной проволоки, тип газа и толщина. В зависимости от выбранных параметров сварки автоматически выполнится настройка сварочного тока и напряжения. Пользователь может немного изменить сварочный ток и напряжение в пределах определённого отклонения. В зависимости от значения сварочного тока, установленного с определённым отклонением, сварочный аппарат автоматически повторно пересчитает сварочное напряжение.

 Для того, чтобы получить информацию об установленном по умолчанию значению параметра и вернуться к данному значению достаточно 1 раз нажать на кнопку регулировки.

Если в качестве метода сварки выбран Pulse MIG / MAG метод сварки, режимы будут следующими:

 Импульсная сварка MIG / MAG доступна только в моделях с импульсной сваркой.

КЛАССИЧЕСКИЙ РЕЖИМ

Можно самостоятельно установить определённый диапазон погрешности для скорости подачи проволоки и сварочного напряжения. Скорость подачи проволоки может быть установлена в диапазоне 1-24 м/мин., сварочное напряжение - в диапазоне 15 - 40 В

ИНТЕЛЛЕКТУАЛЬНЫЙ РЕЖИМ

Если выбран данный режим, следует убедиться, что правильно выбраны такие параметры сварки, как тип сварочной проволоки, диаметр сварочной проволоки, тип газа. В зависимости от выбранного сварочного тока сварочный аппарат выполнит автоматическую настройку оптимального напряжения. Поворотом кнопки регулятора в сторону +/- можно установить напряжение в определённом диапазоне погрешности.

СИНЕРГЕТИЧЕСКИЙ РЕЖИМ

Необходимо правильно выбрать такие параметры сварки, как тип сварочной проволоки, диаметр сварочной проволоки, тип газа и толщина. В зависимости от выбранных параметров сварки автоматически выполнится настройка сварочного тока и напряжения. Пользователь может немного изменить сварочный ток и напряжение в пределах определённого отклонения. В зависимости от значения сварочного тока, установленного с определённым отклонением, сварочный аппарат автоматически повторно пересчитает сварочное напряжение.

Если в качестве методов сварки выбраны сварка MMA и Lift TIG, в разделе режимов нет выбора.

RU

4-) Ручка регулятора

Установка значений настроек выполняется путем поворота ручки регулятора (4) вправо/влево.

- Если выбран метод сварки ММА, при помощи ручки регулятора выполняется установка сварочного тока.
- Если выбран метод Lift TIG, при помощи ручки регулятора выполняется установка сварочного тока.
- Если выбран классический режим сварки, при помощи ручки регулятора выполняется установка скорости подачи сварочной проволоки.
- Если выбран интеллектуальный режим сварки, при помощи ручки регулятора устанавливается значение сварочного тока, в зависимости от установленного значения сварочного тока будет выполнен автоматический расчет напряжения.
- Если выбран синергетический режим сварки, при помощи ручки регулятора устанавливается значение толщины свариваемого материала, в зависимости от установленного значения толщины материала будет выполнен автоматический расчет напряжения.
- Нажатием на кнопку (6) в меню выполняется переход к окну функций, для внесения записи в соответствующую функцию необходимо 1 раз нажать на кнопку и перейти к другим функциям.

Например;

Выбрана функция продувка газа в начале сварки (PrE); при помощи ручки (5) выполняется настройка и для сохранения установленного значения необходимо нажать 1 раз на ручку (4) и перейти к другой функции “продувка газа в конце сварки” (PoS). Если после установки значения не будет выполнено нажатие на ручку (4) и переход к следующей функции (PoS), система выполнит переход на главную страницу и установленное значение не будет сохранено.

5-) Ручка регулятора

Установка значений настроек выполняется путем поворота ручки регулятора (5) вправо/влево.

- Если выбран классический режим сварки, выполняется установка значения напряжения.
- Если выбран интеллектуальный режим сварки, в зависимости от установленного при помощи ручки регулятора (4) значения сварочного тока будет выполнен автоматический расчет напряжения. Поворотом ручки регулятора (5) в определенном диапазоне вправо/влево может быть выполнена установка напряжения.
- Если выбран синергетический режим сварки, в зависимости от установленных параметров значения сварочного тока будет выполнен автоматический расчет напряжения. Поворотом ручки регулятора (5) в определенном диапазоне вправо/влево может быть выполнена установка напряжения.
- Нажатием на кнопку (6) в меню выполняется переход к окну функций. При помощи ручки регулятора выполняется настройка соответствующих функций.

6-) Меню выбора функций

Нажмите 1 раз на кнопку (6) в меню и выполните переход к окну функций. Для возврата на главную страницу повторно нажмите на кнопку. Выбор функций выполняется путем поворота ручки регулятора (5) вправо/влево, для сохранения выбранной настройки необходимо выполнить переход к следующей функции. Для сохранения установленных настроек достаточно 1 раз нажать на ручку регулятора (4), таким образом настройка будет сохранена и выполнен переход к следующей функции. Ниже указаны функции, которые находятся в окне меню в следующей очередности:

PrE

Продувка газа перед сваркой

Устанавливается время предварительной продувки газа.

Диапазон настройки

- 0 - 9,9 сек.

Установленное время определяет продолжительность подачи газа перед началом сварки и после завершения этого времени будет начат сварочный процесс. Обеспечивает защиту сварочной ванны в начале сварки.

PoS

Продувка газа в конце сварки

Устанавливается время завершающей продувки газа.

Диапазон настройки

- 0 - 9,9 сек.

Установленное время определяет продолжительность подачи газа после окончания сварки и после этого сварочный процесс завершается. Обеспечивает защиту сварочной ванны в конце сварки.

brn

Растяжка дуги в конце сварки

Предназначен для установки параметров растяжки длины дуги (отжига проволоки) в конце сварки.

Диапазон настройки

- + 25 - 25

Если во время растяжки дуги (отжига проволоки) на экране символ "+", сварочная проволока на указанное время выйдет вперед. Если на экране символ "-", растяжка дуги (отжиг проволоки) будет продолжаться в течение установленного времени. Предотвращает прилипание проволоки к контактному соплу по окончании процесса сварки.

Pon

Время горения дуги

Вместе с выбором режима Метод выполняется настройка времени сварки.

Диапазон настройки

- 0,2 - 9,9 сек.

PoF

Время паузы

Вместе с выбором режима Метод выполняется настройка времени паузы в процессе сварки.

Диапазон настройки

- 0,0 - 9,9 сек.

SoS

Время паузы

Вместе с выбором режима Метод выполняется настройка времени паузы в процессе сварки.

Диапазон настройки

- 0,0 - 9,9 сек.

Crt

Заварка кратера

Устанавливает параметры настройки для функции заварки кратера.

Диапазон настройки

- Вкл.(On) - Выкл.(Off)

Заполнение кратера применяется для предупреждения образований трещин в конце сварки. Если функция заполнения кратера активна, в конце сварки выполняется линейное снижение сварочного тока и сварка заканчивается.

7-) Меню выбора программ

Используется для сохранения в памяти параметров сварки. Память системы предоставляет возможность сохранить 3 программы. Светодиод (7) соответствующей программы будет светиться в зависимости от того, в какой программе выполняется ввод параметров. Для сохранения программы нажмите 1 раз на кнопку и перейдите к другой программе. Например, если введение параметров будет выполняться в программе № 3, в то время, как РЗ светодиод будет светиться, выполните введение параметров настройки и затем достаточно нажать 1 раз на кнопку для сохранения настроек программы. После этого все светодиоды программ погаснут. После РЗ программы предусмотрено поле, обеспечивающее работу без внесения записей в программу. В этом поле запись программы не выполняется и программные светодиоды не горят.

Диапазон настройки

- P1 - P2 - P3

8-) Меню Выбора Режима Триггера

Используется для выбора режима триггера. Каждый раз при нажатии кнопки (8) переключается другой режим триггера.

Диапазон настройки

- 2 триггера
- 4 триггера
- Метод



Нажмите на триггер



Удерживайте триггер в нажатом состоянии



Отпустите триггер

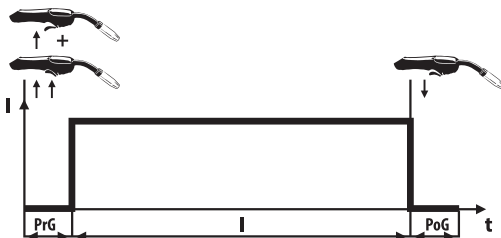
2-ТАКТОВЫЙ РЕЖИМ РАБОТЫ ТРИГГЕРА; Сварка начинается вместе с нажатием на триггер горелки и продолжается до тех пор, пока триггер остаётся в нажатом состоянии. После отпускания триггера сварка завершается.

Начало сварки;

- Нажмите на триггер и удерживайте в нажатом состоянии
- В течение установленного времени предварительной продувки газа начнётся подача защитного газа
- В конце времени предварительной продувки газа на малой скорости оборотов начнёт работать электромотор механизма подачи сварочной проволоки
- После контакта с рабочей заготовкой сварочный ток увеличится

Конец сварки;

- Отпустите нажатый триггер горелки
- Остановится электромотор механизма подачи сварочной проволоки
- В конце установленного времени растяжки, дуга погаснет
- После окончания времени конечной продувки газа сварка завершается



PrG: Время предварительной продувки газа

I : Сварочный ток

PoG: Время конечной продувки газа

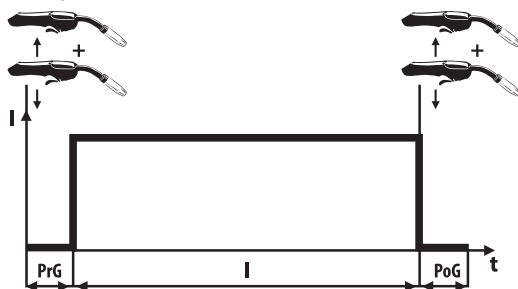
4-ТАКТОВЫЙ РЕЖИМ РАБОТЫ ТРИГГЕРА; Сварка начинается, если 1 раз нажать и отпустить триггер горелки, не требуется удерживать триггер в нажатом состоянии до конца сварки. Если повторно нажать и отпустить триггер, сварка закончится.

Начало сварки;

- Нажмите на триггер и удерживайте в нажатом состоянии
- В течение установленного времени предварительной продувки газа начнётся подача защитного газа
- В конце времени предварительной продувки газа на малой скорости оборотов начнёт работать электродвигатель механизма подачи сварочной проволоки
- После контакта с рабочей заготовкой сварочный ток увеличится

Конец сварки;

- Нажмите и отпустите триггер горелки
- Электродвигатель механизма подачи сварочной проволоки не будет работать
- В конце установленного времени растяжки, дуга погаснет
- После окончания времени конечной продувки газа сварка завершается



PrG: Время предварительной продувки газа

I : Сварочный ток

PoG: Время конечной продувки газа

МЕТОД: В этом режиме выполняется точечная сварка. Сварка будет продолжаться в течение указанного времени и закончится в конце этого времени. В течение установленного времени паузы сварка выполняться не будет. Данный период будет продолжаться до тех пор, пока триггер не будет отпущен. Время сварки может быть установлено в диапазоне: 0.2- 9.9 сек., Время паузы: 0.0- 9.9 сек.



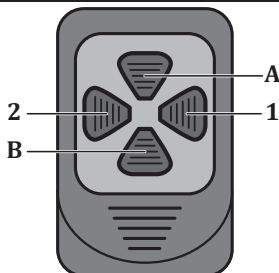
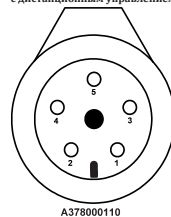
Данный режим сварки предпочтителен в случаях, когда требуется получение одинаковых сварочных швов и глубины проплавления. Сварочные швы, выполняемые в режиме Метод, будут иметь одинаковую длину.

3.3 Дистанционное Управление

При наличии соответствующей горелки и коннектора сварочный ток (скорость подачи проволоки) / сварочное напряжение можно изменять непосредственно на горелке без необходимости подходить к сварочному аппарату. Подключите разъем горелки с дистанционным управлением. Подключение разъема горелки с дистанционным управлением производится следующим образом :

УПРАВЛЕНИЕ ФАКЕЛОМ - КОРИЧНЕВЫЙ	_____	A378000110 - 1
УПРАВЛЕНИЕ ФАКЕЛОМ - ЧЕРНЫЙ	_____	A378000110 - 2
УПРАВЛЕНИЕ ФАКЕЛОМ - КРАСНЫЙ	_____	A378000110 - 4
УПРАВЛЕНИЕ ФАКЕЛОМ - БЕЛЫЙ	_____	A378000110 - 5
УПРАВЛЕНИЕ ФАКЕЛОМ - ЗЕЛЕНый	_____	A378000110 - 3

вид сверху разъема горелки с дистанционным управлением

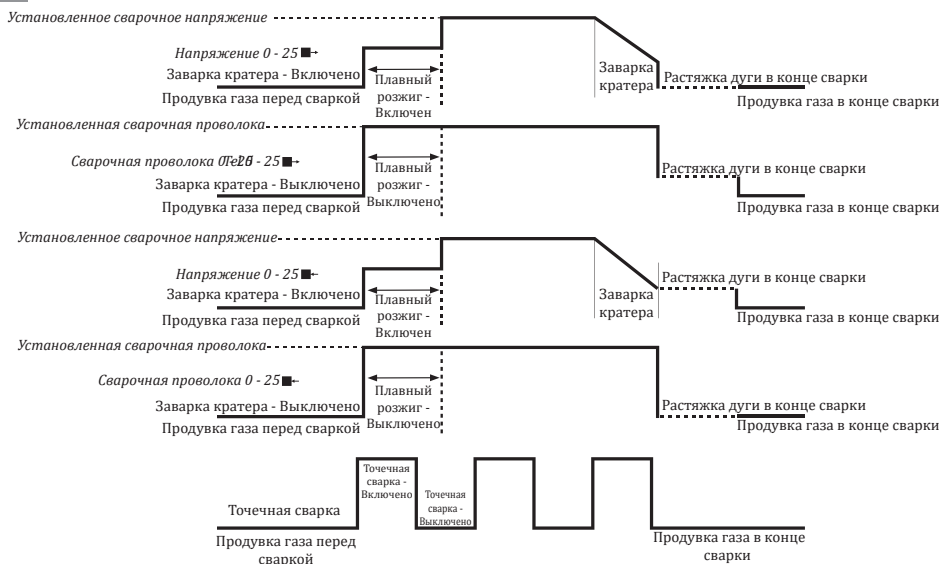


Режим	Клавиша	Функция
Классический Режим	1	Уменьшает скорость подачи проволоки до минимального допуска значения (-10%). Диапазон настройки: 0.5 м/мин.
	2	Увеличивает скорость подачи проволоки до максимального допуска значения (+10%). Диапазон настройки: 0.5 м/мин.
	A	Увеличивает значение сварочного напряжения до максимального допуска значения (+10%). Диапазон настройки: 0.5 В
	B	Уменьшает значение сварочного напряжения до минимального допуска значения (-10%). Диапазон настройки: 0.5 В
Интеллектуальный режим	1	Уменьшает значение сварочного тока до минимального допуска значения (-10%). Диапазон настройки: 5 А
	2	Увеличивает значение сварочного тока до максимального допуска значения (+10%). Диапазон настройки: 5 А
	A	Увеличивает значение сварочного напряжения до максимального допуска значения (+10%). Диапазон настройки: 0.5 В
	B	Уменьшает значение сварочного напряжения до минимального допуска значения (-10%). Диапазон настройки: 0.5 В
Синергетический Режим	1	Уменьшает значение сварочного тока до минимального допуска значения (-10%). Диапазон настройки: 5 А
	2	Увеличивает значение сварочного тока до максимального допуска значения (+10%). Диапазон настройки: 5 А
	A	Увеличивает значение сварочного напряжения до максимального допуска значения (+10%). Диапазон настройки: 0.5 В
	B	Уменьшает значение сварочного напряжения до минимального допуска значения (-10%). Диапазон настройки: 0.5 В

3.4 Регулировка Длины Дуги (ArC)

Функция длины дуги будет активирована при нажатии и удержании переключателя номер 9 в течение 3 секунд. Заводская настройка составляет 0.0. Вы можете изменить настройку длины дуги в диапазоне +7/-7, повернув переключатель влево или вправо. При переключении на +7 проволока приближается к контактному наконечнику и длина дуги увеличивается. При изменении на -7 проволока приближается к металлу шва и длина дуги становится короче. После того, как желаемая настройка выполнена, выход из нее осуществляется однократным нажатием соответствующей кнопки.

3.5 Кривая Изменения Сварочного Тока В Процессе MIG-Сварки



Параметры	Диапазон значений	Параметр заводской настройки по умолчанию	2-тактный режим триггера MIG	4-тактный режим триггера MIG
Продувка газа перед сваркой	0,0 - 9,9 сек.	0,1 сек.	✓	✓
Продувка газа в конце сварки	0,0 - 9,9 сек.	0,1 сек.	✓	✓
Растяжка дуги в конце сварки	25 - 0 - 25	0 шаг	✓	✓
Время горения дуги	0,2 - 9,9 сек.	0,2 сек.	✓	✓
Время паузы	0,0 - 9,9 сек.	0,0 сек.	✓	✓
Диаметр сварочной проволоки	0,6 - 2,4 мм	1,0 мм	✓	✓
Толщина	0,6 - 20,0 мм	1,0 мм	✓	✓
Тип газа	CO ₂ , Ar/5-10 CO ₂ , Ar/15-25 CO ₂ , Ar/2.5 CO ₂ , Ar/10-15 CO ₂ , Argon			
Тип сварочной проволоки	Steel, AlMg, FCW, AlSi, FCW-M, CuSi, CrNi, CuAl			
Кратер	Активный / Пассивный	Пассивный	✓	✓
Режим	Синергетический / Интеллектуальный / Классический			
Триггер	Метод / 2 / 4	2	✓	✓
Метод	MIG/MAG - MMA - LIFT TIG	MIG / MAG		

3.6 Подсоединение К Сетевому Электропитанию



В зависимости от выбранного режима, при помощи кнопки регулятора устанавливаются значения скорости подачи проволоки и сварочного тока. Установка значения настроек выполняется путём поворота кнопки регулятора вправо/влево.



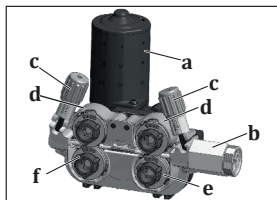
Выполните подсоединения к полюсам в зависимости от вида сварки.

RU

- Включите сварочный аппарат при помощи переключателя Включ./Выключ.
- После того, как вы услышите звук вентилятора и увидите, что загорелся индикатор сетевого питания, повторно переведите переключатель Включ./Выкл. в положение Выключено.

3.7 Выбор И Замена Роликов Механизма Поддачи Проволоки

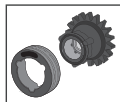
- Если открыть крышку секции подачи проволоки, на боковой стороне находится кнопка, предназначенная для выполнения настройки расхода газа и процесса подачи сварочной проволоки. Блок механизма подачи проволоки представлен системой подачи с 4 роликами позиционирования сварочной проволоки. Конструкция системы 4 WD обеспечивает механическую подачу сварочной проволоки путём протягивания через 4 ролика, работающими от привода. Такая система обеспечивает неизменную скорость подачи проволоки даже в случае возникновения таких негативных факторов, как нагрев мотора, повышение трения. Равномерная подача проволоки обеспечивает превосходную стабильность дуги. После включения электропитания сварочного аппарата загорится светодиод, установленный внутри блока. Это позволит легко выполнить замену роликов механизма.



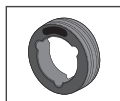
- a - Электродвигатель
- b - Европейский разъем
- c - Винт регулировки прижима
- d - Верхний ролик механизма подачи проволоки
- e - Нижний ролик механизма подачи проволоки
- f - Механизм блокировки роликов

Рисунок 4 : Система подачи проволоки

- Используйте ролики для механизма подачи проволоки, соответствующие диаметру и материалу сварочной проволоки. Для сварочной проволоки из стальных сплавов и нержавеющей стали используйте ролики с V-образными канавками, для сварочной проволоки с порошковым сердечником - с V-образными канавками с насечками, для алюминиевой сварочной проволоки - с U-образными канавками.
- Для замены роликов механизма подачи проволоки потяните на себя винт регулировки прижима, поднимите крышку верхнего ролика и выньте установленные ролики.



- Перед тем, как вынуть ролики, необходимо разблокировать механизм блокировки роликов. Поверните механизм блокировки в обратную сторону, зазоры на внутренней части ролика должны соответствовать выступам на корпусе механизма подачи проволоки, таким образом механизм блокировки будет разблокирован.



- На обеих сторонах роликов имеется маркировка диаметра сварочной проволоки, для которой они используются.
- Поместите ролики на фланец таким образом, чтобы вы видели значение диаметра проволоки.

- Поместите ролик, который вы собираетесь использовать, таким образом, чтобы зазоры на внутренней стороне ролика подачи проволоки соответствовали выступам на корпусе механизма подачи проволоки. Поверните ролик вправо или влево до тех пор, пока вы не услышите звук блокировки, убедитесь, что ролики прочно установлены на местах. Затем опустите прижимные ролики, поднимите рычаг прижимного ролика и зафиксируйте его на прижимном ролике.

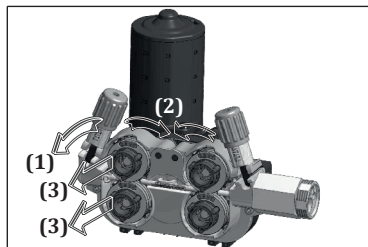


Рисунок 5 : Демонтаж роликов механизма подачи проволоки

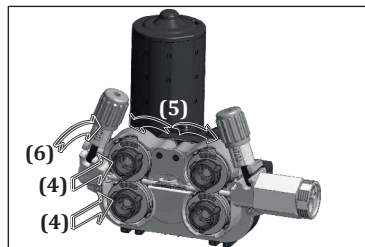
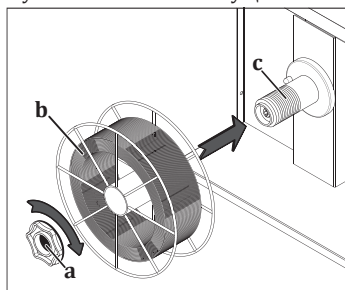


Рисунок 6 : Установка роликов механизма подачи проволоки

3.8 Установка Катушки Сварочной Проволоки И Протягивание Проволоки

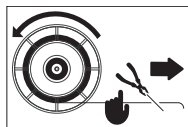
- Открутите винт несущей системы для размотки проволоки. Катушку со сварочной проволокой установите на вал несущей системы и повторно затяните винт.



Избегайте очень сильного затягивания винта несущей системы, это может вызвать затруднения для протягивания проволоки и возникновение неисправностей. Вместе с этим, слабое затягивание винта может стать причиной выпадения сварочной проволоки из корзины катушки в моменты, когда механизм подачи проволоки не работает. По этой причине, следует предупреждать слишком сильное и слишком слабое затягивание винта.

Рисунок 8 : Установка катушки сварочной проволоки

- На ролике механизма подачи проволоки потяните и опустите вниз прижимной рычаг, то есть освободите прижимной ролик.



- Выньте сварочную проволоку из места соединения с катушкой сварочной проволоки и, удерживая конец проволоки, обрежьте конец с помощью бокореза.



Будьте осторожны, если вы упустили конец проволоки, проволока может подпрыгнуть как пружина и стать причиной ранений вас и окружающих людей.

- Продолжая удерживать проволоку в руке, пропустите проволоку через направляющую для ввода проволоки, протяните проволоку между роликами и затем в горелку.

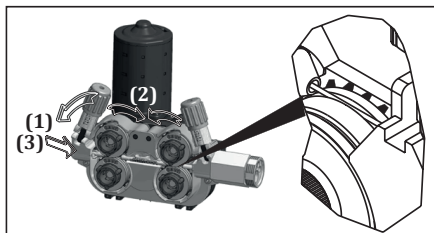
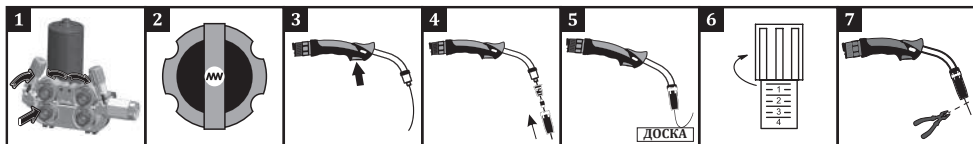


Рисунок 8 : Протягивание проволоки между роликами

- Нажмите на прижимные валики и поднимите прижимной рычаг **1**.
- Включите аппарат, переведя выключатель в положение “1” **2**.
- Нажатиями на курок обеспечьте выход проволоки из наконечника горелки, убедитесь в свободном вращении катушки сварочной проволоки, нажмите и отпустите курок несколько раз для выявления какого-либо ослабления в обмотке **3**. При выявлении ослабления и/или разматывания обмотки, немного затяните винт системы подачи проволоки.
- После выхода проволоки из наконечника горелки повторно установите в горелку форсунку и контактное сопло **4**.
- Протяните проволоку на доску **5**, выполните регулировку прижатия проволоки **6** и обрежьте конец проволоки **7**.



В случае если винт регулировки прижима проволоки будет слишком сильно или слишком слабо затянут, либо в случае использования неправильного ролика механизма подачи, это станет причиной возникновения следующего.

A: Соответствующее прижатие проволоки и размер канала

B: Чрезмерное зажатие прижимного рычага приводит к нарушениям формы проволоки.

C: Чрезмерное зажатие прижимного рычага приводит к повреждению поверхности ролика.

D: Размер канала ролика слишком мал для диаметра проволоки. Деформация формы проволоки.

E: Недостаточный размер канала катушки для используемой проволоки. Подача проволоки в зону сварки невозможна.

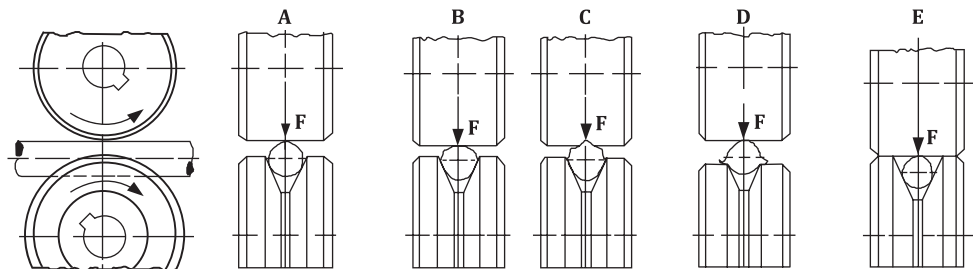


Рисунок 9 : Настройка прижима и ошибки выбора катушки

3.9 Регулировка расхода газа



Поднимите рычаг прижима ролика подачи проволоки и выполните регулировку газа и проверьте подачу газа!

- При помощи регулятора расхода газа отрегулируйте количество подаваемого газа.
- Практический метод: расход газа (CO₂, Ar, смесь) должен быть в 10 раз больше диаметра проволоки. Например, если диаметр проволоки составляет 0,9 мм, расход газа можно установить из расчета $10 \times 0,9 = 9$ л/мин.
- Более точная регулировка расхода газа может быть выполнена в соответствии с данными, указанными в таблице.
- После настройки расхода газа поднимите прижимной рычаг ролика и закройте крышку блока подачи проволоки.

Диаметр сварочной проволоки (мм)	Проволока из не легированной стали и с металлическим сердечником	Сварочная проволока с порошковым сердечником	Нержавеющая сталь	Алюминий
	0.8	8 л/мин.	7 л/мин.	8 л/мин.
0.9	9 л/мин.	8 л/мин.	9 л/мин.	9 л/мин.
1.0	10 л/мин.	9 л/мин.	10 л/мин.	10 л/мин.
1.2	12 л/мин.	11 л/мин.	12 л/мин.	12 л/мин.

RU

3.10 Функциональные Особенности Сварочного Аппарата

Режимы стабилизации СС/СV

- Обеспечивает возможность выполнения MIG, MMA и TIG-сварки.

Память

- Имеются 3 рабочих памяти, которые позволяют записывать выполненные операции.

Разнообразие функций эксплуатации

- Обеспечивает удобную работу с классическим, интеллектуальным и синергетическим режимами MIG/MAG.

Плавный розжиг

- Постепенно увеличивая скорость подачи проволоки, предотвращает образование стуков и разбрызгивания.

Интеллектуальный режим управления рабочими параметрами

- Система интеллектуального управления обеспечивает постоянное наблюдение и анализ параметров сварочного процесса, выполняемого сварочным аппаратом.
- В случае возникновения неблагоприятных условий, система автоматически активирует функции защиты, предупреждая возможные неисправности и обеспечивая продолжительный срок эксплуатации сварочного аппарата.
- В случае срабатывания защитной функции системы на панели аппарата загорается светодиод, предупреждающий о перегреве аппарата.
- После окончания 2-х минутного периода действия защитной функции, система автоматически производит включение сварочного аппарата.

Интеллектуальное управление вентилятора

- Система выполняет постоянное измерение температуры во внутренней части сварочного аппарата. В зависимости от измеренной температуры система автоматически увеличивает или снижает скорость оборотов вентилятора. При температуре ниже установленного значения работа вентилятора полностью останавливается. Данная функция обеспечивает снижение количества пыли, которая попадает во внутреннюю часть корпуса сварочного аппарата. Наряду с продлением срока службы сварочного аппарата, обеспечивает энергосбережение. Работа вентилятора во время сварки обеспечивает эффективное охлаждение.

Контроль тока/напряжения в горелке

- Опциональная функция контроля, используемая при наличии соответствующей горелки и коннектора, обеспечивает возможность изменять сварочный ток / сварочное напряжение непосредственно на горелке без необходимости подходить к сварочному аппарату.

Совместимость со сварочными роботами

- Возможность использования в системе роботизированной сварки обеспечивает лёгкость эксплуатации.

Совместимость с Magnet

- Система, поддерживаемая MagNET, обеспечивает сохранение параметров сварки и окружающей среды в режиме реального времени. Некоторые значения можно считывать с LCD-экрана на передней панели аппарата, другие сведения (Общая эффективность оборудования-OEE, Параметры сварки-WR, «Качество» и т. п.) хранятся и могут отслеживаться на платформе magNET. (Опционально)

Работа от генератора тока

- Сварочный аппарат пригоден для работы от генератора тока. Рабочие параметры кВА определяются в соответствии с техническими характеристиками.

Защита от обрыва фазы питающего напряжения

- Защиты от обрыва или неправильного подсоединения фазы.

Защита от перепадов напряжения

- В случае возникновения перепадов сетевого напряжения (слишком высокое или низкое) на экране сварочного аппарата автоматически появится код ошибки и сработает устройство защиты. Таким образом предупреждается риск какого-либо повреждения составных частей сварочного аппарата и обеспечивается продление срока службы. После возврата напряжения в нормальное состояние, активизируются функции сварочного аппарата.

3.11 Информация о потреблении

В таблицах ниже показаны средние значения расхода при сварке в идеальных условиях. Эти значения могут меняться в зависимости от использования и условий окружающей среды.

Средний расход сварочной проволоки при сварке MIG/MAG

Средний расход сварочной проволоки при скорости подачи проволоки 5 м/мин.

	Диаметр сварочной проволоки 1,0 мм	Диаметр сварочной проволоки 1,2 мм	Диаметр сварочной проволоки 1,6 мм
Стальная проволока	1,5 (кг/час)	2,4 (кг/час)	4,5 (кг/час)
Алюминиевая проволока	0,55 (кг/час)	0,8 (кг/час)	1,4 (кг/час)
CrNi проволока	1,7 (кг/час)	2,6 (кг/час)	4,5 (кг/час)

Средний расход сварочной проволоки при скорости подачи проволоки 10 м/мин.

	Диаметр сварочной проволоки 1,0 мм	Диаметр сварочной проволоки 1,2 мм	Диаметр сварочной проволоки 1,6 мм
Стальная проволока	3,5 (кг/час)	4,95 (кг/час)	9,3 (кг/час)
Алюминиевая проволока	1,25 (кг/час)	1,73 (кг/час)	3,15 (кг/час)
CrNi проволока	3,65 (кг/час)	5,2 (кг/час)	9,4 (кг/час)

Средний расход защитного газа при сварке MIG/MAG

Диаметр проволоки	0.8 мм	1.0 мм	1.2 мм	1.6 мм	2 мм
Среднее потребление	8 л/мин	10 л/мин	12 л/мин	16 л/мин	20 л/мин



ТЕХОБСЛУЖИВАНИЕ И УСТРАНЕНИЕ НЕИСПРАВНОСТЕЙ

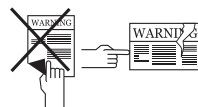
- Техобслуживание и ремонт сварочного аппарата должны выполняться только квалифицированными специалистами. Компания не несёт ответственности в связи с аварийными ситуациями, возникающими в результате выполнения техобслуживания и ремонта лицами без соответствующей квалификации.
- Запасные части, используемые во время ремонта, можно приобрести в авторизованных техслужбах. Использование оригинальных запасных частей обеспечит продление срока эксплуатации и предупредит снижение рабочих показателей сварочного аппарата.
- Обращайтесь только к производителю или в авторизованные техслужбы, указанные производителем.
- В течение гарантийного срока выполнение любых вмешательств в конструкцию сварочного аппарата без предварительного согласия производителя может стать причиной аннулирования всех гарантийных обязательств производителя.
- Во время выполнения любых процедур техобслуживания и ремонта обязательно соблюдайте правила техники безопасности.
- Перед началом выполнения любых видов процедур техобслуживания или ремонта отсоедините вилку сетевого кабеля сварочного аппарата и выждите 10 секунд для разряда напряжения на конденсаторах.

4.1 Техобслуживание



Один раз в 3 месяцев

- Запрещается удалять этикетки с поверхности сварочного аппарата. Изношенные/повреждённые этикетки замените на новые. Этикетки можно приобрести в авторизованных техслужбах.
- Проверьте горелку, зажимы и кабели. Обратите внимание на состояние и прочность соединенных частей. Повреждённые/неисправные части замените на новые. Категорически запрещается выполнять ремонт/удлинение кабеля.
- Убедитесь, что имеется достаточная площадь для обеспечения вентиляции.
- Перед началом сварки проверьте расходомером скорость расхода газа на конце горелки. Если расход газа высокий или низкий, установите уровень расхода в соответствии со сварочным процессом.



Один раз в 6 месяцев

- Очистите и затяните крепежные детали (болты, гайки т.п.).
- Проверьте кабели зажима электрода и зажима заземления.
- Откройте боковые крышки оборудования и очистите их сухим воздухом под низким давлением. Не подавайте сжатый воздух на электронные компоненты с близкого расстояния.
- Регулярно меняйте воду в емкости для воды блока водяного охлаждения, используя нежесткую, чистую воду с добавлением антифриза для защиты от замерзания.



ПРИМЕЧАНИЕ: Вышеуказанные периоды являются максимальными периодами для выполнения техобслуживания в случаях, если сварочный аппарат работает без каких-либо сбоев. В зависимости от интенсивности работ и загрязнения рабочей среды, процедуры техобслуживания, указанные выше, должны выполняться с более частой периодичностью



Категорически запрещается выполнять сварочные работы при демонтированных крышках корпуса сварочного аппарата.

4.2 Устранение неисправностей

В таблицах ниже показаны возможные неисправности и рекомендуемые способы их устранения.

Неисправность	Причина Неисправности	Необходимые Действия
Аппарат не работает	• Аппарат не подключен к сети или вилка не вставлена в розетку	• Убедитесь, что вилка вставлена в розетку
	• Неправильно выполнено подключение к сети	• Проверьте правильность подключения к сети
	• Неисправность в предохранителях сети питания, сетевом кабеле или вилке	• Проверьте предохранители сети питания, сетевой кабель и вилку
	• Сработал предохранитель	• Проверьте предохранитель
	• Неисправен разъем	• Проверьте разъем
Не работает двигатель подачи проволоки	• Сработал предохранитель	• Проверьте предохранитель
	• Неисправность электронной платы	• Свяжитесь с уполномоченным сервисным центром
Двигатель подачи проволоки работает, но проволока не продвигается	• Неправильно подобраны катушки подачи проволоки для диаметра проволоки	• Выберите подходящую катушку подачи проволоки
	• Слишком слабый прижим в катушке подачи проволоки	• Отрегулируйте прижимной ролик
Плохая сварка	• Проблема в соединении зажима заземления аппарата и заготовки	• Проверьте крепко ли держит зажим заземления заготовку
	• Изношены кабели и точки подключения	• Убедитесь в том, что целостность кабелей не нарушена и точки подключения не подверглись износу
	• Ошибочно выбраны параметры и процесс	• Проверьте правильность выбора параметров и процесса. Выполните следующие действия в отношении выбранного процесса
Плохая сварка	• Неоткрытая или неправильная подача газа	• Убедитесь, что подача газа открыта, убедитесь, что подача газа осуществляется правильным образом
	• Повреждена сварочная горелка	• Убедитесь в исправности сварочной горелки

RU

Неисправность	Причина Неисправности	Необходимые Действия
Плохая сварка	<ul style="list-style-type: none"> Сварочные материалы выбраны неправильно или подверглись износу 	<ul style="list-style-type: none"> Необходимо выбрать правильные сварочные материалы и регулярно очищать горелку от остатков сварочных материалов. Ошибочно выбранные или износившиеся сварочные материалы необходимо заменить
	<ul style="list-style-type: none"> Неправильные настройки параметра прижатия прижимных валиков 	<ul style="list-style-type: none"> Необходимо выполнить настройку параметра прижимного валика в правильной форме
Не работает вентилятор	<ul style="list-style-type: none"> Сработал предохранитель 	<ul style="list-style-type: none"> Проверьте предохранитель
	<ul style="list-style-type: none"> Неисправен двигатель вентилятора 	<ul style="list-style-type: none"> Свяжитесь с уполномоченным сервисным центром
Аппарат шумит при работе	<ul style="list-style-type: none"> Неисправен разъем 	<ul style="list-style-type: none"> Свяжитесь с уполномоченным сервисным центром
Сварочный ток нестабилен и/или не отрегулирован	<ul style="list-style-type: none"> Неисправность диодной группы 	<ul style="list-style-type: none"> Свяжитесь с уполномоченным сервисным центром
Не работает розетка подогревателя	<ul style="list-style-type: none"> Сработал предохранитель 	<ul style="list-style-type: none"> Проверьте предохранитель. Свяжитесь с уполномоченным сервисным центром
На экран выведено значение.  / POP	<ul style="list-style-type: none"> Неправильно выбраны параметры сварки 	<ul style="list-style-type: none"> Вид сварочной проволоки, тип газа и т.п. параметры должны выбираться в зависимости от метода сварки

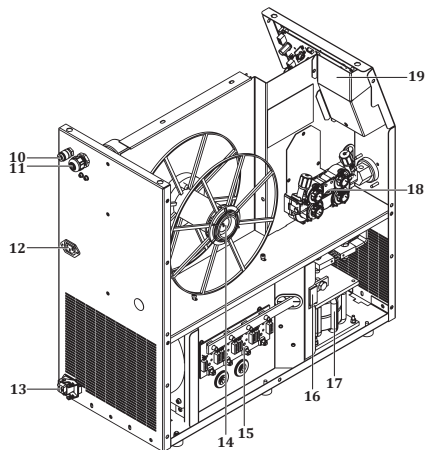
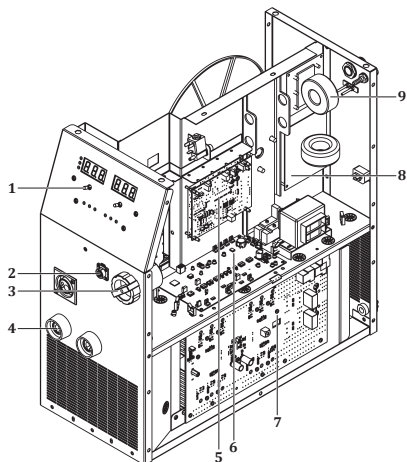
4.3 Коды неисправностей

Код неисправности	Неисправность	Причина	Устранение
E01	Неисправность передачи данных.	<ul style="list-style-type: none"> • Могут быть проблемы в различных частях сварочного аппарата 	<ul style="list-style-type: none"> • Свяжитесь с авторизованной техслужбой
E02	Термальная защита	<ul style="list-style-type: none"> • Возможно превышена продолжительность работы под нагрузкой 	<ul style="list-style-type: none"> • Выждите некоторое время, позволив охладиться сварочному аппарату. Если неисправность исчезла, попробуйте работать при более низкой силе тока
		<ul style="list-style-type: none"> • Возможно не работает вентилятор 	<ul style="list-style-type: none"> • Визуально проверьте работу вентилятора. В случае если вентилятор не работает, свяжитесь с авторизованной службой
		<ul style="list-style-type: none"> • Возможно имеются преграды перед каналами подачи и выхода воздуха 	<ul style="list-style-type: none"> • Удалите преграды, закрывающие каналы для циркуляции воздуха вентилятора сварочного аппарата
		<ul style="list-style-type: none"> • Возможно температура рабочей среды слишком высокая или отсутствует достаточная вентиляция помещения 	<ul style="list-style-type: none"> • Обеспечьте размещение сварочного аппарата в более подходящей среде
E03	Перегрузка по току	<ul style="list-style-type: none"> • Возможно в сети возник ток, по величине превышающий максимальный рабочий ток 	<ul style="list-style-type: none"> • Свяжитесь с авторизованной техслужбой
		<ul style="list-style-type: none"> • Могут быть проблемы в различных частях сварочного аппарата 	<ul style="list-style-type: none"> • Свяжитесь с авторизованной техслужбой
E04	Низкое сетевое напряжение	<ul style="list-style-type: none"> • Возможно произошло снижение сетевого напряжения 	<ul style="list-style-type: none"> • Проверьте соединения сетевого кабеля и напряжение сети. Убедитесь, что обеспечено правильное входящее напряжение. Если сетевое напряжение нормальное, свяжитесь с авторизованной техслужбой
E05	Неисправность температурного датчика	<ul style="list-style-type: none"> • Возможно неисправен температурный датчик или проблема в электрических соединениях 	<ul style="list-style-type: none"> • Свяжитесь с авторизованной техслужбой
E06	Высокое сетевое напряжение	<ul style="list-style-type: none"> • Возможно произошло повышение сетевого напряжения 	<ul style="list-style-type: none"> • Проверьте соединения сетевого кабеля и напряжение сети. Убедитесь, что обеспечено правильное входящее напряжение. Если сетевое напряжение нормальное, свяжитесь с авторизованной техслужбой

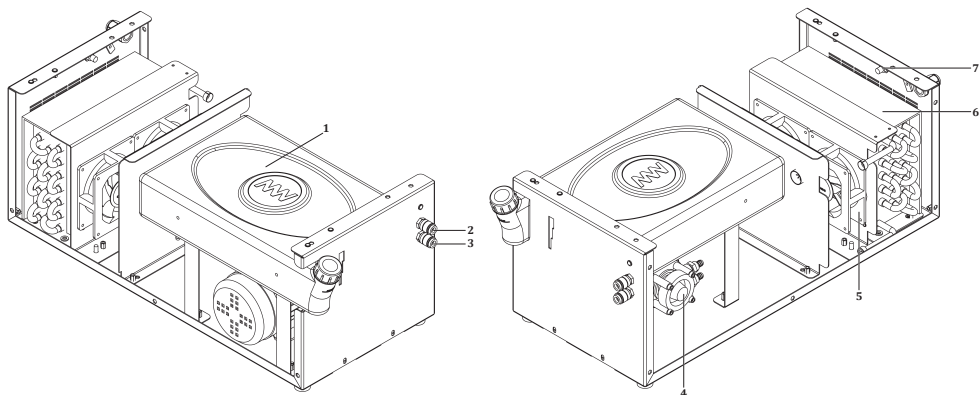
ПРИЛОЖЕНИЯ

5.1 Списки запасных частей

Источник питания

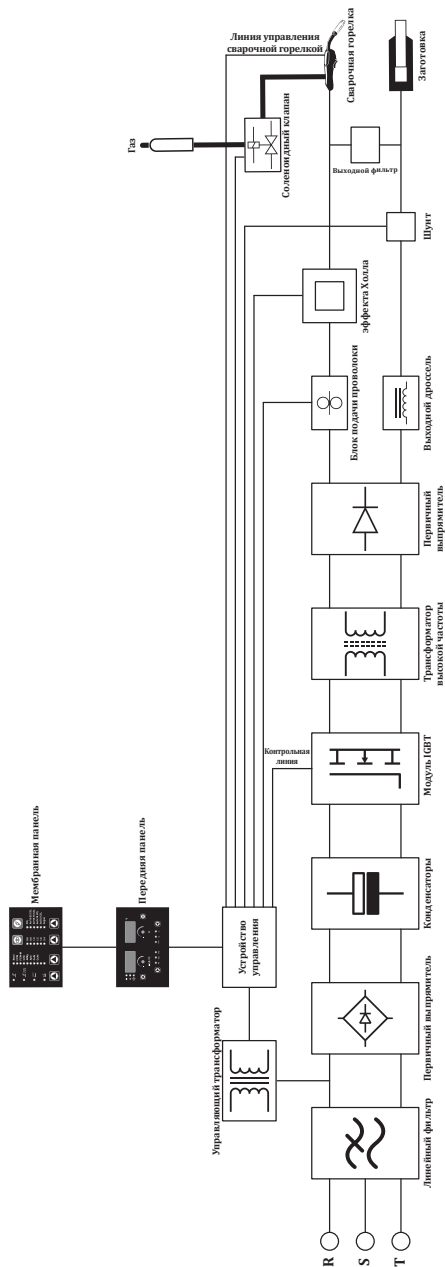


NO	ОПИСАНИЕ	КОД МАТЕРИАЛА
1	Кнопка потенции	A229500001
2	Разъем	A378000103
3	Кнопка переключения	A308900004
4	Сварочная муфта	A377900106
5	Электронная плата E121A-2	K405000230
6	Электронная плата E206A-CNT3P	K405000324
7	Электронная плата E206A-1	K405000253
8	Электронная плата E202A-FLT4	K405000254
9	Электронная плата RS-фильтр	K405000262
10	Сальник газового клапана	A256000609
11	Пластиковый союз	A376400016
12	Разъем питания	A378000050
13	Разъем	A378002002
14	Несущая система катушки сварочной проволоки с 3-я соединениями	A229900003
15	Электронная плата E202A-4A	K405000255
16	Электронная плата E121A-2	K405000230
17	Дроссельная катушка	A421050002
18	Система подачи проволоки	K309002213
19	Электронная плата E309A-3A	K405000312
	Электронная плата E309A-3B	K405000313

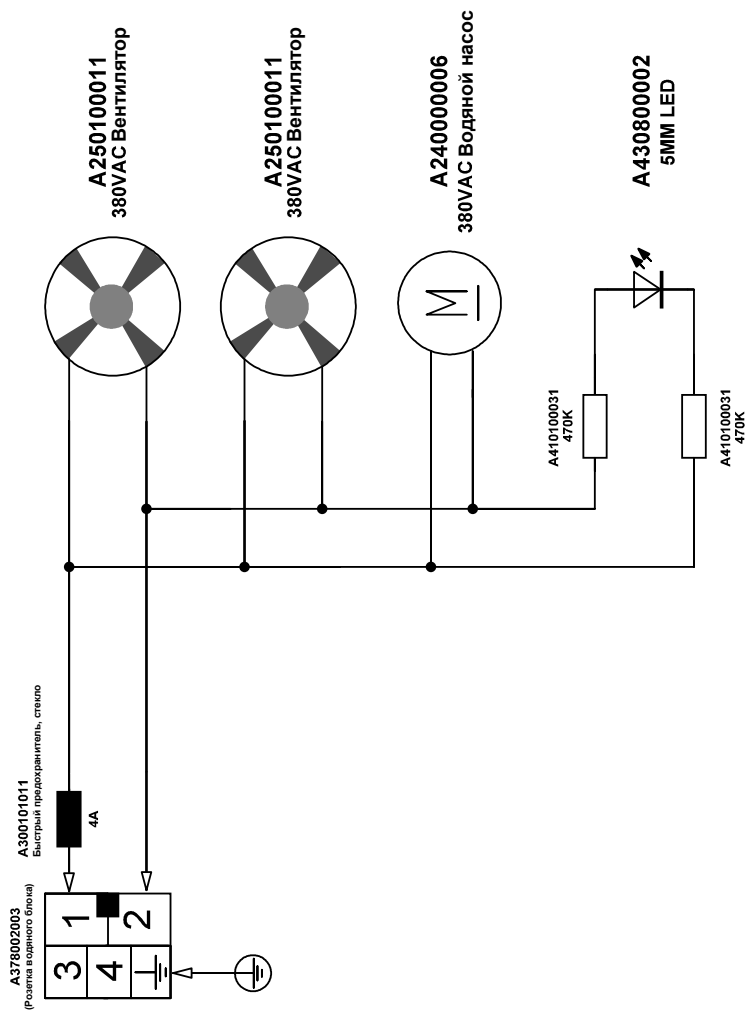
Блок охлаждения

NO	ОПИСАНИЕ	КОД МАТЕРИАЛА
1	Водный танк	A249000005
2	Быстроразъемное соединение - красный	A245700003
3	Быстроразъемное соединение - синий	A245700002
4	Помпа	A240000006
5	Вентилятор	A250001126
6	Радиатор	A260000010
7	Стеклоный держатель предохранителя	A300190001
8	Стеклоный предохранитель Быстро	A300101011

5.2 Блок-схема



5.3 Принципиальная схема гидроагрегата



ИНФОРМАЦИЯ О ТОВАРЕ

Модель	
Серийный номер	

ПРОИЗВОДИТЕЛЬ

Имя	MAGMA MEKATRONİK MAKİNE SANAYİ VE TİCARET A.Ş.
Адрес	Organize Sanayi Bölgesi 5. Kısım MANİSA
Телефон / Электронная почта	+90 236 226 27 00 / info@magmaweld.com

ИНФОРМАЦИЯ О ПОКУПКЕ

Имя дилера	
Город / Страна	
Телефон / Электронная почта	
Дата покупки	

ИНФОРМАЦИЯ О КЛИЕНТЕ

Название компании	
Город / Страна	
Телефон / Электронная почта	
Имя контакта	

СЕРВИСНАЯ ИНФОРМАЦИЯ (если применимо)

Название компании	
Имя техника	
Дата сдачи (дата начала гарантии)	



Пожалуйста, посетите наш веб-сайт www.magmaweld.ru/условия-гарантии/wt чтобы ознакомиться с условиями гарантии.

 **CONTEÚDO**

	PRECAUÇÕES DE SEGURANÇA	170
1	INFORMAÇÃO TÉCNICA	
1.1	Informações gerais	176
1.2	Componentes da máquina	176
1.3	Placa de identificação do produto	178
1.4	Dados técnicos	180
1.5	Acessórios	180
2	INSTALAÇÃO	
2.1	Verificação da entrega	181
2.2	Recomendações de instalação e operação	181
2.3	Ligações	182
2.3.1	Ligação da ficha de rede	182
2.3.2	Ligação do grampo de aterramento à peça de trabalho	182
2.3.3	Ligação da garrafa de gás	182
2.3.4	Unidade de refrigeração a água	183
3	OPERAÇÃO	
3.1	Configurações	184
3.2	Interface do utilizador	186
3.3	Comando à distância	191
3.4	Ajuste do comprimento do arco (ArC)	192
3.5	Curva MIG	192
3.6	Ligação à alimentação principal	193
3.7	Seleção e substituição de rolos de avanço de fio	193
3.8	Colocação da bobine de fio e processo de alimentação de fio	194
3.9	Ajuste do fluxo de gás	195
3.10	Funcionalidades da máquina	196
4	MANUTENÇÃO E REPARAÇÃO	
4.1	Manutenção	197
4.2	Resolução de problemas	198
4.3	Códigos de erro	199
5	ANEXO	
5.1	Listas de peças de substituição	200
5.2	Diagrama de blocos	202
5.3	Diagrama do circuito da unidade de água	203

PRECAUÇÕES DE SEGURANÇA

Certifique-se de que cumpre todas as regras de segurança indicadas neste manual!

Explicação sobre instruções de segurança



- Os símbolos de segurança apresentados no manual identificam potenciais perigos.
- A existência de um símbolo de segurança neste manual indica que existe perigo de ferimento e que as instruções de segurança seguintes devem ser lidas atentamente de modo a evitar potenciais perigos.
- O proprietário da máquina é responsável por evitar o acesso ao equipamento por parte de pessoas não autorizadas.
- As pessoas que utilizam esta máquina devem possuir experiência ou formação em soldadura/corte, devem ter lido o manual do utilizador antes da operação e cumprir as instruções de segurança.

Explicação sobre símbolos de segurança



ATENÇÃO

Indica uma situação de perigo potencial que pode resultar em ferimento ou danos. Caso não sejam adotadas precauções, pode resultar em ferimentos ou perdas/danos materiais.



IMPORTANTE

Especifica notificações e alertas sobre a operação da máquina.



PERIGO

Indica um perigo grave. Caso não seja evitado, podem ocorrer ferimentos graves ou fatais.

Compreender precauções de segurança



- Leia atentamente o manual do utilizador, a etiqueta na máquina e as instruções de segurança.
- Certifique-se de que as etiquetas de aviso presentes na máquina estão em bom estado. Substitua etiquetas em falta e danificadas.
- Aprenda a utilizar adequadamente a máquina e a proceder corretamente a verificações.
- Utilize a sua máquina em ambientes de trabalho adequados.
- As alterações indevidas efetuadas na sua máquina afetarão negativamente a segurança do funcionamento e a durabilidade da mesma.
- O fabricante não se responsabiliza pelas consequências decorrentes da operação do dispositivo em condições que não as previstas.

Os choques elétricos podem ser fatais



Certifique-se de que os procedimentos de instalação cumprem as normas elétricas nacionais e demais normas relevantes e garanta que a máquina é instalada por pessoas autorizadas.

- Use luvas secas e resistentes e um avental de trabalho. Nunca use luvas e aventais de trabalho molhados ou danificados.
- Contra o risco de queimaduras, use vestuário de proteção à prova de fogo. O vestuário usado pelo operador deve proteger contra faíscas, salpicos e radiação do arco.
- Não trabalhe sozinho. Em caso de perigo, certifique-se de que pode pedir ajuda a alguém no seu local de trabalho.
- Não toque no eletrodo com as mãos desprotegidas. Não permita que o suporte do eletrodo ou o eletrodo entrem em contacto com outra pessoa ou objeto com ligação à terra.
- Nunca toque em peças com carga elétrica.
- Nunca toque no eletrodo quando se encontra em contacto com o eletrodo ligado à superfície de trabalho, o chão ou outra máquina.
- Ao isolar-se da superfície de trabalho e do chão, estará a proteger-se de possíveis choques elétricos. Use material isolante não inflamável, isolado, seco, não danificado e com largura suficiente para interromper o contacto do utilizador com a superfície de trabalho.
- Não ligue mais do que um eletrodo ao suporte do eletrodo.
- Fixe o cabo de trabalho com contacto metal/metal adequado à peça de trabalho ou à mesa de trabalho, o mais próximo da soldadura possível.
- Verifique a tocha, antes de operar a máquina. Certifique-se de que a tocha e respetivos cabos estão em boas condições. Substitua a tocha sempre que apresente danos e/ou desgaste.
- Não toque em suportes de eletrodo ligados a duas máquinas em simultâneo, pois estará presente dupla tensão de circuito aberto.
- Mantenha a máquina desligada e desligue os cabos quando esta não estiver a ser utilizada.

- Antes de reparar a máquina, remova todas as ligações de energia e/ou fichas de ligação ou desligue a máquina.
- Mantenha-se atento aquando da utilização de cabo principal longo.
- Certifique-se de que todas as ligações estão firmes, limpas e secas.
- Mantenha os cabos secos, sem óleo e gordura, e protegidos contra metal seco e faíscas.
- Os cabos descarnados podem ser fatais. Verifique frequentemente todos os cabos quanto a possíveis danos. Caso detete um cabo danificado ou não isolado, repare-o ou substitua-o de imediato.
- Isole o grampo de trabalho quando este não esteja ligado à peça de trabalho, a fim de evitar o contacto com objetos metálicos.
- Certifique-se do aterramento adequado da linha de alimentação.
- Não utilize saída de soldadura AC em espaços húmidos, molhados ou confinados ou caso exista perigo de queda.
- Utilize a saída AC APENAS se necessário para o processo de soldadura.
- Caso seja necessária a saída AC, utilize o comando à distância de saída, se disponível na unidade.

São necessárias precauções de segurança adicionais, caso se verifique qualquer uma das seguintes de risco elétrico:

- em locais húmidos ou durante a utilização de vestuário molhado,
- em estruturas metálicas, tais como pisos, grades ou andaimes,
- em posições limitadoras, tais como sentado, ajoelhado ou deitado,
- quando existe o risco de contacto inevitável ou accidental com a peça de trabalho ou o chão.

Nestas condições, utilize o seguinte equipamento pela ordem apresentada:

- Máquina de soldar MIG semiautomática tensão constante DC (CV)
- Máquina de soldar MMA manual DC,
- Máquina de soldar DC ou AC com tensão reduzida em circuito aberto (VRD), se disponível.

Procedimentos em caso de choque elétrico



- Desligue a energia elétrica.
- Use material não condutor, por exemplo, madeira seca, para libertar a vítima do contacto com peças ou cabos sob tensão.
- Ligue para o serviço de emergência.

Caso possua formação em primeiros socorros;

- Caso a vítima não esteja a respirar, depois de interromper o contacto com a fonte elétrica, proceda de imediato à ressuscitação cardiopulmonar (RCP). Prossiga com a RCP (massagem cardíaca) até que a respiração seja retomada ou até à chegada de ajuda.
- Caso esteja disponível um desfibrilador eletrónico automático (DEA), utilize-o de acordo com as instruções.
- Trate as queimaduras elétricas como queimaduras térmicas, aplicando compressas esterilizadas e frias (geladas). Previna a contaminação e aplique um meio de cobertura limpo e seco.

As peças móveis podem causar ferimentos



- Mantenha-se afastado de peças em movimento.
- Mantenha todos os dispositivos de proteção, tais como coberturas, painéis, abas, etc., da máquina e do equipamento fechados e bloqueados.
- Use calçado com biqueira de aço para efeitos da possível queda de objetos pesados sobre os pés.

Os fumos e os gases podem ser prejudiciais para a sua saúde



A inalação prolongada de fumos e gases de soldadura/corte é muito perigosa.

- A sensação de queimadura e a irritação dos olhos, do nariz e da garganta são sintomas de ventilação inadequada. Neste caso, aumente de imediato a ventilação da área de trabalho e, caso o problema persista, interrompa o processo de soldadura/corte imediatamente.
- Instale um sistema de ventilação natural ou forçada na área de trabalho.
- Use um sistema de extração de fumos adequado nas zonas em que são executados trabalhos de soldadura/corte. Se necessário, instale um sistema capaz de expelir os fumos e os gases acumulados em toda a área de trabalho. Use um sistema de filtração adequado para evitar a poluição ambiental durante a descarga.
- Se estiver a trabalhar em espaços confinados ou se estiver a soldar chumbo, berílio, cádmio, zinco, materiais revestidos ou pintados, use máscaras que forneçam ar fresco em complemento às precauções indicadas.
- Caso as garrafas de gás estejam agrupadas numa zona separada, certifique-se de que estão bem ventiladas, mantenha as válvulas principais fechadas em caso de não utilização e atente a possíveis fugas de gás.
- Os gases de proteção como o argón são mais densos do que o ar e podem ser inalados se utilizados em espaços confinados. Tal também constitui perigo para a sua saúde.

- Não execute operações de soldadura/corte na presença de vapores de hidrocarboneto clorado libertados durante as operações de lubrificação ou pintura.
- Certas peças soldadas/cortadas requerem ventilação especial. As regras de segurança dos produtos que requerem ventilação especial devem ser lidas atentamente. Deve ser utilizada uma máscara antigás adequada, quando necessário.

A luz do arco pode ferir os olhos e a pele



- Use uma máscara protetora comum e um filtro de vidro adequado para proteger os olhos e o rosto.
- Proteja destes raios outras partes expostas do seu corpo (braços, pescoço, ouvidos, etc.) com vestuário de proteção adequado.
- Isole a sua zona de trabalho com telas à prova de fogo dobráveis e afixe sinais de aviso ao nível dos olhos, evitando que as pessoas ao seu redor sofram ferimentos provocados pelos raios do arco e pelos metais quentes.
- Esta máquina não é utilizada para o aquecimento de tubos gelados. Esta operação, quando efetuada com a máquina de soldar/corte, provoca explosão, incêndio ou danos nas suas instalações.

As faíscas e os salpicos podem entrar nos olhos e ferir



- A execução de tarefas como soldadura/corte, desbaste e escorvamento provoca faíscas e salpicos de partículas metálicas. Sob a máscara de soldadura, use óculos de proteção aprovados com abas para prevenir possíveis ferimentos.

As peças quentes podem provocar queimaduras graves



- Não toque nas peças quentes com as mãos desprotegidas.
- Antes de tocar nas peças, aguarde o tempo previsto para o arrefecimento da máquina.
- Se for necessário segurar em peças quentes, use as ferramentas adequadas, luvas de soldadura/corte com isolamento térmico elevado e vestuário à prova de fogo.

O ruído pode prejudicar a sua capacidade auditiva



- O ruído gerado por certos equipamentos e durante certas operações pode prejudicar a sua capacidade auditiva.
- Caso o nível de ruído seja elevado, use a proteção de ouvidos adequada.

Os fios de soldar podem provocar ferimentos



- Quando do desenrolamento do fio de soldar/corte, não aponte a tocha na direção do corpo, de outras pessoas ou de qualquer metal.
- Quando do desenrolamento manual do fio de soldar, especialmente com diâmetros reduzidos, o fio pode saltar da sua mão, como uma mola, ferindo-o ou a pessoas ao seu redor; assim, deve proteger os seus olhos e rosto.

As operações de soldadura podem provocar fogo e explosão



- Nunca proceda a operações de soldadura/corte em locais próximos de materiais inflamáveis. Podem ocorrer incêndios ou explosões.
- Antes de começar a soldar/cortar, remova estes materiais ou cubra-os com coberturas de proteção para evitar combustões.
- Neste contexto, aplicam-se normas específicas nacionais e internacionais.
- Não proceda a soldadura/corte em depósitos ou tubos totalmente fechados.
- Antes de soldar depósitos e recipientes fechados, abra-os, esvazie-os totalmente e limpe-os. Preste toda a atenção possível às operações de soldadura/corte a realizar nestes espaços.
- Não proceda à soldadura em depósitos e tubos que, anteriormente, possam ter contido substâncias suscetíveis de provocar explosões, incêndios ou outras reações.
- O equipamento de soldadura/corte aquece. Por este motivo, não o coloque sobre superfícies que possam aquecer/queimar ou danificar-se facilmente!
- As faíscas e os salpicos de peças podem provocar incêndio. Por este motivo, mantenha materiais como extintores, água e areia em locais facilmente acessíveis.
- Utilize válvulas de segurança, reguladores e válvulas de gás em circuitos de gás inflamáveis, explosivos e comprimidos. Certifique-se de que estes são periodicamente inspecionados e que funcionam de forma fiável.

A manutenção de máquinas e aparelhos efetuada por pessoas não autorizadas pode originar ferimentos



- Os equipamentos elétricos não devem ser reparados por pessoas não autorizadas. Os erros ocorridos por incumprimento desta regra podem resultar em ferimento grave ou morte aquando da utilização do equipamento.
- Os elementos do circuito de gás funcionam sob pressão; aquando da realização de serviços por pessoas não autorizadas, podem ocorrer explosões e os utilizadores podem sofrer ferimentos graves.
- Recomenda-se a realização da manutenção técnica da máquina e das respetivas unidades auxiliares, no mínimo, anualmente.

Soldar/cortar em espaços pequenos e confinados



- Em espaços pequenos e confinados, certifique-se de que executa as operações de soldadura/corte acompanhado por outra pessoa.
- Evite, tanto quanto possível, soldar/cortar em espaços fechados.

A inobservância das precauções durante o transporte pode causar acidentes



- Adote todas as precauções necessárias ao movimentar a máquina. As áreas para onde a máquina será transportada, as peças a usar no transporte e as condições físicas e de saúde da pessoa responsável pelo transporte devem ser adequadas ao processo em causa.
- Certas máquinas são extremamente pesadas; assim, aquando da movimentação das mesmas, certifique-se de que são adotadas as medidas de segurança necessárias.
- Se a máquina de soldar for utilizada numa plataforma, é necessário verificar se esta possui os limites de carga adequados.
- Em caso de transporte da máquina através de veículo (carro de transporte, empilhadora, etc.), certifique-se da resistência do mesmo e dos pontos de conexão (suspensores de carga, cintas, parafusos, porcas, rodas, etc.) que ligam a máquina ao veículo.
- Em caso de transporte manual da máquina, certifique-se da resistência dos elementos da mesma (suspensores de carga, cintas, etc.) e conexões.
- Cumpra as normas da Organização Internacional do Trabalho relativas a pesos e regras de transporte em vigor no seu país, de modo a assegurar as condições de transporte necessárias.
- Para movimentar fontes de alimentação de energia, utilize sempre cabos ou olhais de transporte. Nunca puxe por tochas, cabos ou tubos. Certifique-se de que transporta as garrafas de gás em separado.
- Antes de transportar o equipamento de soldar/cortar, remova todas as interligações separadamente, eleve e transporte os mais pequenos pelos cabos e os maiores pelos olhais ou utilizando o equipamento de transporte adequado, tal como empilhadoras.

A queda de peças pode causar ferimentos



O posicionamento incorreto de fontes de alimentação ou de outro equipamento pode causar ferimentos graves às pessoas ou danificar objetos.

- Posicione a sua máquina sobre o chão e plataformas com uma inclinação máxima de 10°, de modo a que não caia nem deslize. Opte por espaços que não interfiram com o fluxo dos materiais e onde não exista risco de tropeçar em cabos e mangueiras; não obstante, estas áreas devem ser espaçosas, de fácil ventilação e sem poeiras. Para prevenir a queda das garrafas de gás, fixe-as à respetiva plataforma, caso se trate de máquinas em que esta esteja disponível; em caso de utilização estática, fixe-as à parede com uma corrente, de modo a que não caiam.
- Permita o fácil acesso às configurações e conexões da máquina por parte dos utilizadores.

O uso prolongado da máquina provoca sobreaquecimento



- Permita que a máquina arrefeça, de acordo com os níveis do ciclo de operação.
- Reduza a corrente ou o nível do ciclo de operação antes de retomar a soldadura/corte.
- Não obstrua as entradas de ar da máquina.
- Nas entradas de ventilação da máquina, não coloque filtros que não possuam aprovação do fabricante.

O uso prolongado da máquina provoca sobreaquecimento



- De acordo com os testes de compatibilidade eletromagnética, este dispositivo possui classificação grupo 2, classe A, nos termos da norma TS EN 55011.
- Este dispositivo de classe A não se destina a ser utilizado em áreas domésticas com alimentação elétrica de baixa tensão. Podem verificar-se potenciais dificuldades em termos de compatibilidade eletromagnética devido à interferência por radiofrequência transmitida e emitida nesses locais.



Este dispositivo não é compatível nos termos da norma IEC 61000-3-12. Caso pretenda ligar a máquina à rede de baixa tensão utilizada em ambiente doméstico, o instalador responsável pela ligação elétrica ou a pessoa que utilizará a máquina deve ter conhecimento de que a mesma foi ligada naqueles termos; neste caso, a responsabilidade incumbe totalmente ao utilizador.

- Certifique-se de que a área de trabalho cumpre a compatibilidade eletromagnética (CEM). As interferências eletromagnéticas durante as operações de soldadura/corte podem causar efeitos indesejados nos seus dispositivos e redes eletrónicos. Estes efeitos são da responsabilidade do utilizador.
- Em caso de tais interferências, a fim de garantir a conformidade, devem ser adotadas medidas extraordinárias, tais como a utilização de cabos curtos, de cabos blindados, mudança de localização da máquina de soldar, remoção dos cabos do dispositivo e/ou área afetados, utilização de filtros ou proteção da área de trabalho em termos de CEM.
- De modo a evitar possíveis danos resultantes da CEM, proceda à soldadura em local o mais afastado possível (100 metros) de equipamentos eletrónicos sensíveis.
- Certifique-se de que a sua máquina de soldar e/ou de corte foi instalada e está situada nas condições previstas no manual do utilizador.

PT

Avaliação de compatibilidade eletromagnética da área de trabalho



De acordo com o Art.º 5.2 da IEC 60974-9;

Antes de instalar o equipamento de soldar/corte, o responsável pela operação e/ou o utilizador devem proceder à verificação da existência de possível interferência eletromagnética. Devem ser observados os seguintes aspetos:

- a) Outros cabos de alimentação, cabos de controlo, cabos de sinal e de telefone por cima e por baixo da máquina de soldar/corte e respetivo equipamento,
- b) Transmissores e recetores de rádio e televisão,
- c) Computadores e outros equipamentos de controlo,
- d) Equipamento crítico de segurança, tal como proteção de equipamento industrial,
- e) Dispositivos médicos pessoais, tais como pacemakers e aparelhos auditivos,
- f) Equipamento utilizado para medição ou calibração,
- g) A imunidade de outros equipamentos circundantes. O utilizador deve assegurar a compatibilidade de outros equipamentos circundantes. Tal pode significar medidas de proteção adicionais;
- h) Atendendo ao período durante o qual as operações de soldadura/corte ou outras atividades ocorrem durante o dia, os limites das áreas podem ser aumentados de acordo com a dimensão do edifício, a sua estrutura e outras atividades que sejam realizadas no mesmo.

Para além da avaliação do espaço, pode também ser necessária a avaliação das instalações de dispositivos para prevenir o efeito de interferência. Caso se considere necessário, podem também ser aplicadas medições para confirmar a eficácia das medidas de redução aplicadas.

(Fonte: IEC 60974-9).

Métodos de redução da interferência eletromagnética



- O dispositivo deve ser ligado à fonte de alimentação elétrica por pessoa competente e conforme recomendado. Em caso de interferência, é possível adotar medidas adicionais, tais como o filtro da rede. A utilização de equipamento de soldadura por arco fixo deve ocorrer com tubo metálico ou com um cabo blindado afim. O alojamento da alimentação de energia deve estar ligado e, entre ambas as estruturas, deve existir um bom contacto elétrico.
- Deve ser executada a manutenção de rotina recomendada do equipamento. Todas as coberturas da máquina devem estar fechadas e/ou bloqueadas aquando da utilização do dispositivo. Estão interditas quaisquer alterações às configurações padrão sem o consentimento prévio por escrito do fabricante. Caso tais alterações sejam efetuadas, o utilizador é responsável pelas possíveis consequências.
- Os cabos de soldar/cortar devem manter-se o mais curtos possível. Devem ser dispostos no chão e alinhados lado a lado no chão da área de trabalho. Os cabos de soldar/cortar não devem emaranhar-se.
- Durante a soldadura/corte, é gerado um campo magnético na máquina. Tal pode fazer com que a máquina atraia peças metálicas. Para evitar esta situação, certifique-se de que os materiais metálicos estão a uma distância segura ou fixos. O operador deve encontrar-se isolado quanto a todos os objetos metálicos interligados.

- Nos casos que não seja possível o aterramento da peça de trabalho devido à segurança elétrica ou à sua dimensão e posição (por exemplo, na construção de navios ou na produção para construção em aço), a ligação entre a peça de trabalho e a ligação à terra pode, em certos casos, reduzir as emissões. Note-se que o aterramento da peça de trabalho pode resultar em ferimentos no utilizador ou em avaria do equipamento elétrico circundante. Se necessário, é possível proceder ao aterramento da peça de trabalho na forma de ligação direta. Nos países em que a mesma não é permitida, é possível proceder à ligação utilizando os elementos com a capacidade adequada, de acordo com as normas e legislação locais.
- A proteção e blindagem de outros dispositivos e cabos na área de trabalho evita efeitos de “aliasing”. Para aplicações específicas, é possível adotar a proteção com tela de toda a área de soldadura/corte.

Campo eletromagnético (CEM)



A corrente elétrica que passa por um condutor é passível de formar campos eletromagnéticos (EMF) a nível local.

Todos os operadores devem cumprir os seguintes procedimentos, a fim de minimizar o risco de exposição ao CEM:

- Para reduzir o campo eletromagnético, é necessário instalar e fixar os cabos de soldadura/corte o mais afastados possível dos materiais de união (fita, uniões de cabo, etc.).
- O corpo e cabeça do operador devem estar o mais afastados possível da máquina de soldar/cortar e dos cabos,
- Os cabos de soldar/cortar não devem embrulhar-se ao corpo nem à máquina,
- Os cabos de soldar/cortar não devem ser embrulhar-se à estrutura da máquina. Os cabos de alimentação devem manter-se afastados da estrutura da máquina e colocados lado a lado,
- O cabo de retorno deve estar ligado à peça de trabalho o mais próximo possível da área a soldar,
- A máquina de soldar/cortar não deve estar encostada, integrada ou demasiado próxima da fonte de alimentação,
- As operações de soldadura/corte não devem ser executadas aquando do transporte da unidade de alimentação do fio de soldar ou da fonte de alimentação.

Os EMF podem também interferir com o funcionamento de implantes médicos (materiais no interior do corpo humano), tais como pacemakers. Na presença de portadores de tais dispositivos médicos, devem ser implementadas medidas preventivas. Por exemplo, limitações de acesso para terceiros ou avaliações de risco individual para operadores. Devem ser realizadas avaliações de riscos e prestado aconselhamento por especialistas médicos a portadores de dispositivos médicos.

Proteção



- Não exponha a máquina à chuva e proteja-a quanto a água e vapores pressurizados.

Eficiência energética



- Selecione o método e a máquina de soldar/cortar para a soldura que pretende executar.
- Selecione a corrente e/ou tensão de soldadura/corte correspondente ao material e espessura que vai soldar.
- Se necessitar de aguardar muito tempo antes de começar a soldar/cortar, desligue a máquina depois de a ventoinha a ter arrefecido. As nossas máquinas com controlo inteligente da ventoinha desligam-se automaticamente.

Eliminação



- Este dispositivo não deve ser eliminado com os resíduos domésticos. Deve ser encaminhado para reciclagem nos termos da diretiva europeia e da legislação nacional.
- Informe-se junto do seu revendedor e pessoas autorizadas sobre a gestão de resíduos das suas máquinas usadas.

FORMULÁRIO DE GARANTIA



Para consultar o formulário de garantia, visite a nossa página
www.magmaweld.com/warranty-form/wr.

INFORMAÇÃO TÉCNICA

1.1 Informações gerais

ID 300 MK / MKW PULSE SMART, ID 400 MK / MKW PULSE SMART é uma máquina de solda inversora MIG / MAG trifásica industrial com tecnologia Pulse, projetada para condições pesadas. Oferece fácil movimentação com sua estrutura compacta. Possui excelentes características de soldagem com todos os fios sólidos e tubulares. Fonte de alimentação CC/CV; Permite executar métodos de soldagem MIG, TIG, MMA e corte de carbono com uma única máquina. Graças à sua característica sinérgica, a corrente e a tensão de soldagem são ajustadas automaticamente após a determinação do tipo de fio, espessura e tipo de gás. Os modos clássico e inteligente facilitam a adaptação do usuário ao modo sinérgico.

1.2 Componentes da máquina

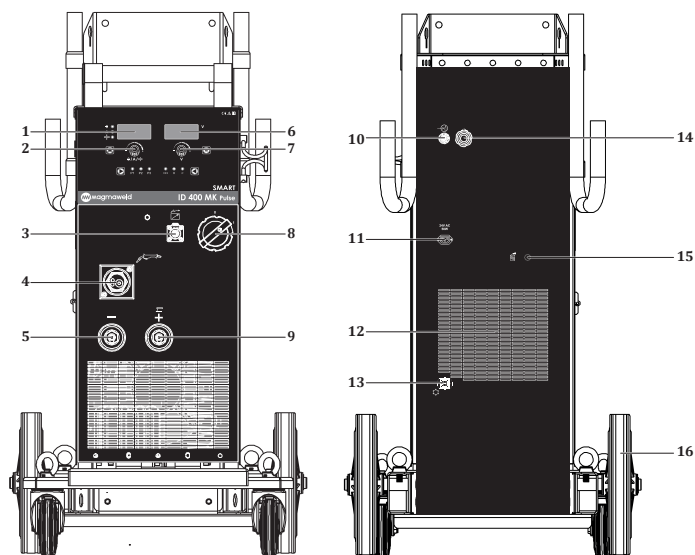


Figura 1 : ID 300 MK PULSE SMART / ID 400 MK PULSE SMART Vista frontal e traseira

- | | |
|-----------------------|--|
| 1- Mostrador Digital | 9- Conexão de pinos de elétrodo (+) |
| 2- Botão de ajuste | 10- Entrada de gás |
| 3- Tomada de dados | 11- Tomada de aquecedor |
| 4- Ligação da tocha | 12- Ventilador |
| 5- Conexão de pinos | 13- Ligação de sistema de refrigeração |
| 6- Mostrador Digital | 14- Cabo principal |
| 7- Botão de ajuste | 15- Entrada de fio da caixa |
| 8- Interruptor ON/OFF | 16- Roda |

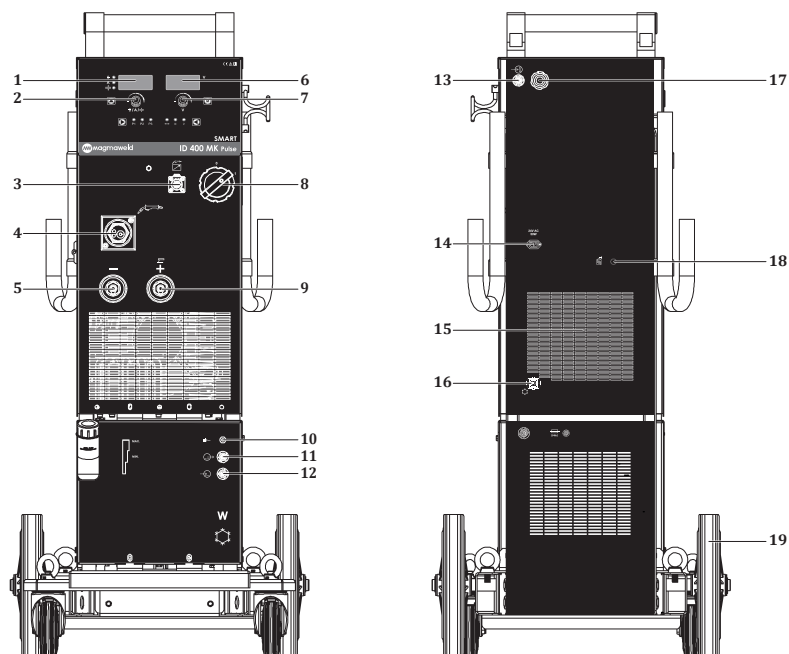







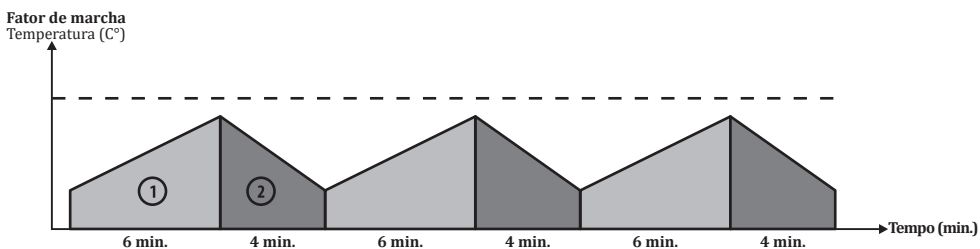
Figura 2 : ID 300 MKW PULSE SMART / ID 400 MKW PULSE SMART Vista frontal e traseira

- | | |
|--------------------------------------|---|
| 1- Mostrador Digital | 11- Entrada de água quente de unidade de água |
| 2- Botão de ajuste | 12- Saída de água fria de unidade de água |
| 3- Tomada de dados | 13- Entrada de gás |
| 4- Ligação da tocha | 14- Tomada de aquecedor |
| 5- Conexão de pinos | 15- Ventilador |
| 6- Mostrador Digital | 16- Ligação de sistema de refrigeração |
| 7- Botão de ajuste | 17- Cabo principal |
| 8- Interruptor ON/OFF | 18- Entrada de fio da caixa |
| 9- Conexão de pinos de eléctrodo (+) | 19- Roda |
| 10- LED de unidade de água | |

1.3 Placa de identificação do produto

MAGMA MEKATRONİK MAKİNE SAN. VE TİC. A.Ş. Organize Sanayi Bölgesi 5.Kısım Manisa-TÜRKİYE											
ID 300MK Pulse SMART					S/N:						
					EN 60974-1 / EN 60974-10 Class A						
	---	50A / 22V - 300A / 32V					---	50A / 16.5V - 300A / 29V			
		X _(40C)	40%	60%	100%			X _(40C)	40%	60%	100%
	U _s =82V	I _s	300A	245A	190A		U _s =82V	I _s	300A	245A	190A
		U _s	32V	29.8V	27.6V			U _s	29V	26.2V	23.5V
	U _i =400V	I _{imax} = 23.2A	I _{ier} = 14.7A		U _i =400V	I _{imax} = 21.3A	I _{ier} = 13.5A				
IP21S						CE EAC UK CA					
MAGMA MEKATRONİK MAKİNE SAN. VE TİC. A.Ş. Organize Sanayi Bölgesi 5.Kısım Manisa-TÜRKİYE											
ID 300MKW Pulse SMART					S/N:						
					EN 60974-1 / EN 60974-10 Class A						
	---	50A / 22V - 300A / 32V					---	50A / 16.5V - 300A / 29V			
		X _(40C)	40%	60%	100%			X _(40C)	40%	60%	100%
	U _s =82V	I _s	300A	245A	190A		U _s =82V	I _s	300A	245A	190A
		U _s	32V	29.8V	27.6V			U _s	29V	26.2V	23.5V
	U _i =400V	I _{imax} = 23.2A	I _{ier} = 14.7A		U _i =400V	I _{imax} = 21.3A	I _{ier} = 13.5A				
IP21S						CE EAC UK CA					
MAGMA MEKATRONİK MAKİNE SAN. VE TİC. A.Ş. Organize Sanayi Bölgesi 5.Kısım Manisa-TÜRKİYE											
ID 400MK Pulse SMART					S/N:						
					EN 60974-1 / EN 60974-10 Class A						
	---	50A / 22V - 400A / 36V					---	50A / 16.5V - 400A / 34V			
		X _(40C)	40%	60%	100%			X _(40C)	40%	60%	100%
	U _s =82V	I _s	400A	327A	253A		U _s =82V	I _s	400A	327A	253A
		U _s	36V	33.1V	30.1V			U _s	34V	30.3V	26.6V
	U _i =400V	I _{imax} = 33.5A	I _{ier} = 21.2A		U _i =400V	I _{imax} = 32.1A	I _{ier} = 20.3A				
IP21S						CE EAC UK CA					
MAGMA MEKATRONİK MAKİNE SAN. VE TİC. A.Ş. Organize Sanayi Bölgesi 5.Kısım Manisa-TÜRKİYE											
ID 400MKW Pulse SMART					S/N:						
					EN 60974-1 / EN 60974-10 Class A						
	---	50A / 22V - 400A / 36V					---	50A / 16.5V - 400A / 34V			
		X _(40C)	40%	60%	100%			X _(40C)	40%	60%	100%
	U _s =82V	I _s	400A	327A	253A		U _s =82V	I _s	400A	327A	253A
		U _s	36V	33.1V	30.1V			U _s	34V	30.3V	26.6V
	U _i =400V	I _{imax} = 33.5A	I _{ier} = 21.2A		U _i =400V	I _{imax} = 32.1A	I _{ier} = 20.3A				
IP21S						CE EAC UK CA					

	Transformador retificador trifásico	X	Fator de marcha
CC / CV	Corrente constante/tensão constante	U ₀	Tensão em circuito aberto
	Corrente contínua	U ₁	Tensão de rede e frequência
	Soldadura MIG/MAG	U ₂	Tensão nominal de soldadura
	Corrente alternada trifásica de entrada	I ₁	Corrente de rede nominal
	Adequada para operação em ambientes perigosos	I ₂	Corrente nominal de soldadura
		S ₁	Potência nominal
		IP21S	Classe de proteção



Como definido na norma EN 60974-1, o nível do fator de marcha inclui um período de 10 minutos. Por exemplo, se uma máquina de 250 A a 60% for operada a 250 A, a máquina pode soldar/cortar sem interrupção nos primeiros 6 minutos do período de 10 minutos (zona 1). Contudo, os 4 minutos seguintes devem manter-se inativos, para que a máquina arrefeça (zona 2).

1.4 Dados técnicos

DADOS TÉCNICOS		UNIDADE	ID 300 MK/MKW PULSE SMART
Tensão de rede (trifásica, 50-60 Hz)		V	400
Potência nominal (%40)		kVA	14,7
Amplitude da corrente de soldadura		ADC	50 - 300
Corrente nominal de soldadura (%40)		ADC	300
Tensão em circuito aberto		VDC	82
Dimensões (c x l x a)	MK	mm	1138 x 528 x 837
	MKW		1180 x 528 x 1137
Peso	MK	kg	86
	MKW		110
Classe de proteção			IP21S

DADOS TÉCNICOS		UNIDADE	ID 400 MK/MKW PULSE SMART
Tensão de rede (trifásica, 50-60 Hz)		V	400
Potência nominal (%40)		kVA	22,1
Amplitude da corrente de soldadura		ADC	50 - 400
Corrente nominal de soldadura (%40)		ADC	400
Tensão em circuito aberto		VDC	82
Dimensões (c x l x a)	MK	mm	1138 x 528 x 837
	MKW		1180 x 528 x 1137
Peso	MK	kg	86
	MKW		110
Classe de proteção			IP21S

1.5 Acessórios

ACESSÓRIOS PADRÃO	QUANT.	ID 300 MK/MKW PULSE SMART	ID 400 MK/MKW PULSE SMART
Grampo da peça de trabalho e cabo	1	7905203505 (35 mm ² - 5 m)	7905305005 (50 mm ² - 5 m)
Mangueira de gás	1	7907000002	
Conjunto de acessórios MIG/MAG CO ₂ *	1	-	
Conjunto de acessórios MIG/MAG Mix/árgon *	1	-	

* A verificar no ato de encomenda.

ACESSÓRIOS OPCIONAIS	QUANT.	ID 300 - 400 MK/MKW PULSE SMART
Aquecedor de CO ₂	1	7020009003
Regulador do gás (CO ₂)	1	7020001005
Regulador do gás (mix)	1	7020001004
Tocha Lava MIG 50 W refrigerada a água (3 m)	1	7120050003

INSTALAÇÃO

2.1 Verificação da entrega

Verifique se foram recebidos todos os materiais encomendados. Em caso de falta ou danificação de material, contacte imediatamente o ponto de venda.

A caixa padrão inclui:

- Máquina de soldar e cabo principal ligado
- Certificado de garantia
- Grampo da peça de trabalho e cabo
- Manual do Utilizador
- Mangueira de gás
- Fio de soldar

Em caso de entrega com danos, registo um relatório, fotografe os danos e envie à transportadora em conjunto com uma cópia da guia de remessa. Caso o problema persista, contacte o serviço de apoio ao cliente.

PT

Símbolos e seu significado no dispositivo



Soldar pode ser perigoso. Devem estar previstas as condições de trabalho adequadas e as precauções necessárias. Os especialistas são responsáveis pela máquina e devem dispor do equipamento necessário. Os demais devem manter-se afastados da área de soldadura.



Este dispositivo não é compatível nos termos da norma IEC 61000-3-12. Caso pretenda ligar à rede de baixa tensão utilizada nos meios domésticos, é essencial que o instalador ou a pessoa que operará a máquina execute a ligação elétrica e possua informação sobre a conectividade da mesma. Neste caso, a responsabilidade será assumida pela pessoa que realizará a instalação ou pelo operador.



Os símbolos de segurança e as notas de aviso no dispositivo e nas instruções de operação devem ser cumpridos. As etiquetas não devem ser removidas.



As grelhas destinam-se à ventilação. As aberturas devem manter-se descobertas, a fim de permitir a refrigeração adequada e a impedir a entrada de objetos estranhos.

2.2 Recomendações de instalação e operação

- Anéis de elevação ou empilhadeiras devem ser usados para movimentar a máquina. Não levante a máquina com o cilindro de gás. Ao transportar manualmente máquinas de solda portáteis, ações devem ser tomadas de acordo com os regulamentos de Saúde e Segurança Ocupacional. As providências necessárias devem ser tomadas no local de trabalho para garantir que o processo de transporte seja realizado de acordo com as condições de saúde e segurança, tanto quanto possível. As precauções devem ser tomadas de acordo com as características do ambiente de trabalho e os requisitos do trabalho. Coloque a máquina sobre uma superfície dura, nivelada e lisa, onde ela não caia ou tombe
- Caso a temperatura ambiente seja superior a 40 °C, opere a máquina com uma corrente inferior ou um ciclo de operação inferior.
- Evite soldar no exterior, em circunstâncias de vento ou chuva. Caso seja necessário soldar em tais circunstâncias, proteja a área de soldadura e a máquina de soldar com uma cortina e capota.
- Ao posicionar a máquina, certifique-se de que o acesso aos controles e conexões da máquina não é dificultado por materiais como paredes, cortinas, placas.
- Em caso de soldadura no interior, use um sistema de extração de fumos adequado. Use um aparelho de respiração, caso, em espaços confinados, exista o risco de inalação de fumos de soldadura e gás.
- Cumpra os níveis do ciclo de operação previstos na etiqueta do produto. A suspensão dos níveis do ciclo de operação podem danificar a máquina e, por sua vez, anular a garantia.
- O cabo de alimentação deve respeitar o valor do fusível especificado.
- Ligue o cabo de terra o mais próximo possível da peça de trabalho. Não permita que a corrente de soldadura atravesse equipamento que não os cabos de soldadura, tais como a própria máquina, a garrafa de gás, corrente e rolamento.
- Quando as garrafas de gás estão posicionadas na máquina, imobilize-as imediatamente com a corrente. Caso não coloque a garrafa de gás na máquina, fixe-a à parede com uma corrente.
- A tomada elétrica na traseira da máquina destina-se ao aquecedor de CO₂. Nunca ligue outro dispositivo à tomada de CO₂ para além do aquecedor de CO₂!

2.3 Ligações

2.3.1 Ligação da ficha de rede



Para sua segurança, nunca use o cabo principal da máquina sem ficha.

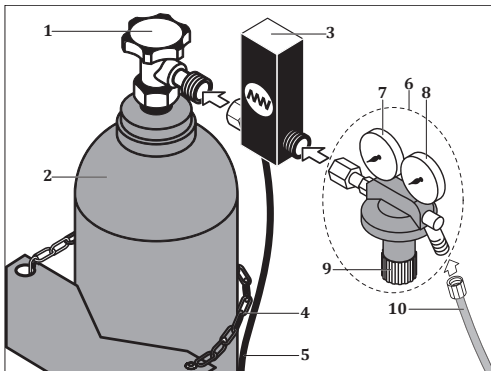
- Não foi ligada nenhuma ficha ao cabo principal, pois, nas fábricas, estaleiros e oficinas, existem vários tipos diferentes de tomadas. A ligação de uma ficha adequada deve ser realizada por um técnico qualificado. Certifique-se de que o cabo de aterramento assinalado com ⚡ e cor amarela/verde está presente.
- Depois de ligar a ficha ao cabo, não a ligue à tomada para já.

2.3.2 Ligação do grampo de aterramento à peça de trabalho

- Ligue firmemente o grampo de aterramento à peça de trabalho o mais próximo possível da área de soldadura.

2.3.3 Ligação da garrafa de gás

- Para efeitos de segurança e para obter os melhores resultados, use reguladores e aquecedores que cumpram as normas internacionais. Garanta que o tamanho da ligação da mangueira do regulador do gás que está a utilizar é 3/8.
- Abra a válvula da garrafa de gás, mantendo a cabeça e o rosto afastados da saída da válvula, e mantenha-a aberta durante 5 segundos. Deste modo, serão drenados possíveis sedimentos e impurezas.
- Caso seja utilizado o aquecedor de CO₂, ligue-o primeiro à garrafa de gás. Depois de ligar o regulador do gás ao aquecedor de CO₂, introduza a ficha deste último na tomada do aquecedor de CO₂, na traseira da máquina.
- Caso não seja utilizado o aquecedor de CO₂, ligue o regulador do gás diretamente à garrafa de gás.
- Ligue uma extremidade da mangueira ao regulador do gás e aperte o grampo. Ligue a outra extremidade à entrada de gás, na traseira da máquina, e aperte a porca.
- Abra a válvula da garrafa de gás, para verificar se tubo está cheio e se há fugas no trajeto do fluxo de gás. Caso oia ruído e/ou detete cheiro a gás (indicadores de fuga), verifique as ligações e elimine a fuga.



- 1- Válvula da garrafa de gás
- 2- Garrafa de gás
- 3- Aquecedor de CO₂
- 4- Corrente
- 5- Cabo do aquecedor de CO₂
- 6- Regulador do gás
- 7- Manómetro
- 8- Fluxómetro
- 9- Válvula de ajuste do fluxo
- 10- Mangueira de gás

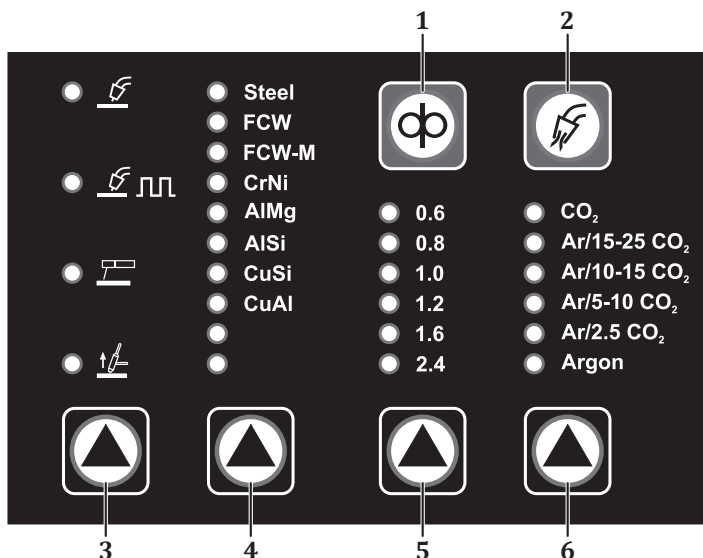
Figura 3 : Ligações garrafa de gás-aquecedor-regulador

2.3.4 Unidade de refrigeração a água

- A unidade de refrigeração a água é utilizada para refrigerar a tocha. Trata-se de um sistema de circuito fechado composto por radiador, ventoinha, bomba, refrigerador e depósito.
- Ligue a mangueira de água fria (azul) à saída de água fria e a mangueira de água quente (vermelha) à entrada de água quente, no sistema de refrigeração a água.
- As máquinas de soldar Magmaweld são fornecidas com refrigerador Magmaweld, que é concebido para o melhor desempenho. Em caso de falta de refrigerador, abra a tampa do depósito de refrigerador e adicione o refrigerador Magmaweld adequado à temperatura do ambiente de trabalho. O refrigerador deve estar entre os valores mínimo e máximo apresentados no painel frontal da unidade.
- Não deve ser adicionado um refrigerador diferente ou água. Os aditivos líquidos diferentes podem provocar reações químicas ou outros problemas.
- A Magmaweld não se responsabiliza pelos possíveis riscos decorrentes da adição de líquidos diferentes. Todas as disposições da garantia serão consideradas nulas, caso seja adicionado um refrigerador diferente ou água ao refrigerador Magmaweld.
- Caso pretenda utilizar uma marca diferente de refrigerador, o interior do depósito de refrigerador deve ser totalmente esvaziado, eliminando quaisquer resíduos ou líquido.
- Não é adequado utilizar as unidades de refrigeração a água com máquinas de soldar não fabricadas pela Magma Mekatronik Makine ve Sanayi Ticaret A.Ş. As unidades de refrigeração a água não podem ser operadas com alimentação externa.

OPERAÇÃO

3.1 Configurações



1-) ALIMENTAÇÃO DE FIO

Enquanto manter o botão premido, o fio é alimentado e a válvula de gás não funciona. Pode utilizar este botão para conduzir fio à tocha.






2-) FLUXO DE GÁS

Assim que premir o botão, é assegurado o fluxo de gás e a alimentação de gás não funciona. Pode utilizar este botão após a troca de gás.

3-) SELEÇÃO DO MÉTODO DE SOLDADURA

Permite selecionar o método de soldadura. Cada pressão do botão alterna entre as linhas da respetiva coluna. Ao selecionar o método de soldadura, acende-se o respetivo LED.

Opções de configuração

-  • MIG/MAG
-  • Pulse MIG/MAG
 -  *O método de soldadura pulsada só está disponível em modelos com modo pulsado. Em modelos sem esta funcionalidade ("W/O Pulse"), quando esta linha é alcançada, o LED não acende e o modo pulsado não estará ativo.*
- MMA
 -  *De acordo com o método de soldadura selecionado, é necessário ajustar as ligações e acessórios. Na parte da frente da máquina, existe uma tomada específica para o método MMA.*
- Lift TIG
 -  *No método de soldadura TIG "lift", deve ser utilizado um aparelho adequado para ligar o conector da tocha. O aparelho especial permite a compatibilidade com conectores europeus.*

4-) SELEÇÃO DO TIPO DE FIO

Permite selecionar o tipo de fio. O tipo de fio a utilizar deve ser corretamente selecionado. Cada pressão do botão alterna entre as linhas da respetiva coluna. Depois de selecionar o tipo de fio, acende-se o respetivo LED.

Opções de configuração

- Aço
- FCW
- FCW-M
- CrNi
- AlMg
- AlSi
- CuSi
- CuAl

5-) SELEÇÃO DO DIÂMETRO DO FIO

Permite selecionar o diâmetro do fio. O diâmetro do fio a utilizar deve ser corretamente selecionado. Cada pressão do botão alterna entre as linhas da respetiva coluna. Depois de selecionar o tipo de fio, acende-se o respetivo LED.

Opções de configuração

- 0.6 - 2.4 mm

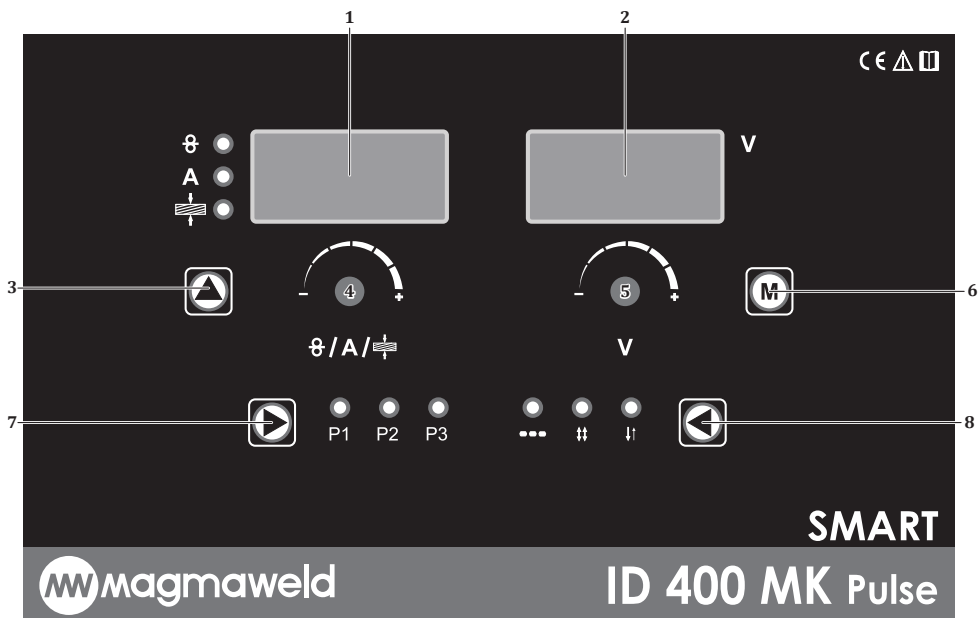
6-) SELEÇÃO DO TIPO DE GÁS

Permite selecionar o tipo de gás. O tipo de gás a utilizar deve ser corretamente selecionado. Cada pressão do botão alterna entre as linhas da respetiva coluna. Depois de selecionar o tipo de fio, acende-se o respetivo LED.

Opções de configuração

- CO₂
- Ar/15-25 CO₂
- Ar/10-15 CO₂
- Ar/5-10 CO₂
- Ar/2.5 CO₂
- Argon

3.2 Interface do utilizador



1-) ECRÃ ESQUERDO

Apresenta o conteúdo do menu, mensagens de erro, velocidade do fio em inatividade/carga, corrente de soldadura, valor da espessura, em função do modelo. Todos os parâmetros são apresentados no ecrã digital.

	Inatividade	Carga
M. sinérgico	Espessura do material	Corrente sold.
M. inteligente	Corrente sold.def.	Corrente sold.
M. clássico	Velocidade do fio	Corrente sold.

2-) ECRÃ DIREITO

Apresenta os parâmetros de configuração das funções e a tensão de soldadura em carga ou inatividade, em função do modelo.

	Inatividade	Carga
M. sinérgico	Tensão sold. def.	Tensão sold.
M. inteligente	Tensão sold. def.	Tensão sold.
M. clássico	Tensão sold. def.	Tensão sold.

3-) SELEÇÃO DO MODO DE SOLDADURA

Permite selecionar o modo de soldadura. Cada pressão do botão alterna entre as linhas da respetiva coluna. Ao selecionar o modo de soldadura, acende-se o respetivo LED.

Opções de configuração



• Modo clássico



• Modo inteligente



• Modo sinérgico

A seleção de método estabelece diferentes opções do modo de soldadura. Ao selecionar o método de soldadura MIG/MAG, os modos são os seguintes:

MODO CLÁSSICO

Quando selecionado, pode ajustar a velocidade do fio e tensão de soldadura entre determinados intervalos. A velocidade do fio será ajustada entre 1-24 m/min. e a tensão de soldadura será ajustada entre 15-40 V.

MODO INTELIGENTE

Quando selecionado, os parâmetros de soldadura como tipo e diâmetro de fio e tipo de gás devem ser selecionados corretamente. A máquina ajustará automaticamente a tensão otimizada em função da corrente de soldadura definida. Ajustar a tensão, rodando o manípulo para a direção +/- dentro de um determinado intervalo.

MODO SINÉRGICO

Quando selecionado, os parâmetros de soldadura como tipo e diâmetro de fio, tipo de gás e espessura devem ser selecionados corretamente. A corrente e a tensão serão ajustadas automaticamente em função dos parâmetros de soldadura selecionados. Pode ajustar a corrente e a tensão dentro de determinado intervalo. A máquina recalculará automaticamente a tensão em função da corrente definida.



Caso pretenda visualizar e regressar ao valor recomendado originalmente pela máquina, basta premir uma vez o botão de ajuste.

Ao selecionar o método de soldadura MIG/MAG pulsada, os modos são os seguintes:



O método de soldadura MIG/ MAG soldadura pulsada só está disponível em modelos com modo pulsado.

MODO CLÁSSICO

Quando selecionado, pode ajustar a velocidade do fio e tensão de soldadura entre determinados intervalos. A velocidade do fio será ajustada entre 1-24 m/min. e a tensão de soldadura será ajustada entre 15-40 V.

MODO INTELIGENTE

Quando selecionado, os parâmetros de soldadura como tipo de fio, diâmetro do fio e tipo de gás devem ser selecionados corretamente. A máquina ajustará automaticamente a tensão otimizada em função da corrente de soldadura selecionada. Pode ajustar a tensão, rodando o manípulo de ajuste para direção +/- dentro de um determinado intervalo.

MODO SINÉRGICO

Quando selecionado, os parâmetros de soldadura como tipo de fio, diâmetro do fio, tipo de gás e espessura devem ser selecionados corretamente. A corrente e a tensão serão ajustadas automaticamente em função dos parâmetros de soldadura selecionados. O utilizador pode ajustar a corrente e a tensão dentro de um determinado intervalo. A máquina recalculará automaticamente a tensão em função da corrente definida dentro do intervalo previsto.

Ao selecionar o método de soldadura MMA e TIG "lift", não existe seleção de modo.

4-) BOTÃO DE AJUSTE

Para configurar, rode o botão **(4)** para a esquerda ou para a direita.

- No método de soldadura MMA, o botão permite configurar a corrente.
- No método de soldadura TIG “lift”, o botão permite configurar a corrente.
- No modo clássico, o botão permite configurar a velocidade do fio.
- No modo inteligente, o botão permite configurar a corrente e a tensão correspondente é calculada automaticamente.
- No modo sinérgico, a espessura do material a soldar é selecionada e a tensão é automaticamente calculada em função da espessura definida.
- Ao aceder à secção de funções, premindo o botão de menu **(6)**, é necessário premir o botão uma vez e alterar para a outra função, para registar a função relevante.

Exemplo:

Sendo selecionada a função de pré-gás (PrE) **(5)**, caso pretenda guardar este valor após configurar através do botão **(4)**, é necessário premir o botão uma vez e alterar para pós-gás, ou seja, a outra função (PoS). Caso o botão **(4)** não seja premido e a função seguinte (PoS) não seja ativada e caso regresse diretamente à página principal, nada será guardado.

5-) BOTÃO DE AJUSTE

Para configurar, rode o botão **(5)** para a esquerda ou para a direita.

- No modo clássico, é configurado o valor de tensão.
- No modo inteligente **(4)**, a tensão é automaticamente calculada face à corrente definida através do botão. Dentro de um determinado intervalo **(5)**, pode configurar a tensão, rodando o botão para esquerda ou para a direita.
- No modo sinérgico, a tensão é calculada automaticamente em função dos parâmetros definidos. Dentro de um determinado intervalo **(5)**, pode configurar a tensão, rodando o botão para esquerda ou para a direita.
- Ao selecionar o botão de menu **(6)**, serão apresentadas as funções. São configuradas as funções relacionados com o botão.

6-) SELEÇÃO DE FUNÇÃO

Premindo uma vez o botão **(6)**, são apresentadas as funções. Para regressar à página principal, basta premir novamente o botão. A função selecionada **(5)** é configurada rodando o botão para a esquerda ou para a direita. Caso pretenda guardar a configuração selecionada, avance para a função seguinte. Para guardar **(4)**, basta premir uma vez o botão: a configuração é guardada e a função seguinte é ativada. A secção de menu inclui as seguintes funções:

PrE

Pré-gás

Configuração do tempo de pré-gás.

Opções de configuração

- 0 - 9.9 segundos

Antes de iniciar a soldadura durante o tempo definido, o gás entra e depois inicia-se a soldadura. Protege a poça de fusão ao iniciar a soldadura.

PoS

Pós-gás

Configuração do tempo de pós-gás.

Opções de configuração

- 0 - 9.9 segundos

Depois de concluída a soldadura durante o tempo definido, o gás entra e a soldadura termina. Protege a poça de fusão ao concluir a soldadura.

brn

Burn back

Ajuste do burn back.

Opções de configuração

- + 25 - 25

Caso, em “burn back”, o valor apresentado no ecrã seja “+”, o fio avançará durante o tempo especificado. Caso o valor seja “-”, o fio continuará em “burn back” durante o tempo especificado. Ao concluir o processo de soldadura, impede que o fio de soldar adira ao bico de contacto.

Pon

Tempo de soldadura

Quando selecionado, permite configurar o tempo de soldadura.

Opções de configuração

- 0.2 - 9.9 segundos

PoF

Tempo vazio

Quando selecionado, não é configurado nenhum tempo de soldadura.

Opções de configuração

- 0.0 - 9.9 segundos

SoS

Arranque progressivo

Permite configurar o arranque progressivo.

Opções de configuração

- Ligado - desligado (On - Off)

Ao iniciar a soldadura, a velocidade do fio aumenta gradualmente até à velocidade configurada. Deste modo, previne-se a ocorrência de embates e salpicos, no início da soldadura.

Crt

Depressão

Permite configurar a função de depressão.

Opções de configuração

- Ligado - desligado (On - Off)

Trata-se do processo de preenchimento que previne a ocorrência de fissuras no final da soldadura. Quando a depressão está ativada, no final da soldadura, a corrente de soldadura é reduzida dentro de determinada linearidade e a soldadura termina.

PT

7-) SELEÇÃO DE PROGRAMA

Destina-se guardar o trabalho realizado. Existem 3 memórias. Acender-se-á o LED do programa processado (7). Para guardar o programa, é necessário premir o botão uma vez e alternar para o outro programa. Caso pretenda guarda no programa 3, bastará premir uma vez o botão, para guardar as suas configurações, depois do LED P3 acender. Deste modo, todos os LED serão desligados. Após o programa P3, existe uma área que permite que o programa seja executado sem gravação. Nesta área, o programa não será guardado e os LED de programa desligar-se-ão.

Opções de configuração

- P1 - P2 - P3

8-) SELEÇÃO DO MODO DO GATILHO

Permite selecionar o modo do gatilho. A cada pressão do botão (8), alterna entre modos do gatilho.

Opções de configuração

- 2 passos
- 4 passos
- Método



Premir gatilho



Manter o gatilho pressionado



Libertar gatilho

MODO 2 PASSOS: Ao premir o gatilho da tocha, a soldadura inicia e o gatilho manter-se-á premido até ao final da soldadura. A libertação do gatilho terminará a soldadura.

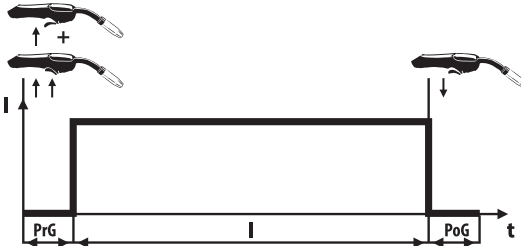
Iniciar a soldadura:

- Prima e mantenha premido o gatilho da tocha.
- O fluxo de gás de proteção inicia aquando do pré-gás.
- No final do pré-gás, o motor de avanço do fio entra modo lento.
- A corrente de soldadura aumenta quando a peça de trabalho é alcançada.

Concluir a soldadura:

- Liberte o gatilho da tocha premido.
- O motor de avanço do fio parará.
- O arco extingue-se, após o tempo de “burn back” definido.
- O processo está concluído após o período de gás final.

PT



PrG : Período de gás inicial

I : Corrente de soldadura

PoG : Período de gás final

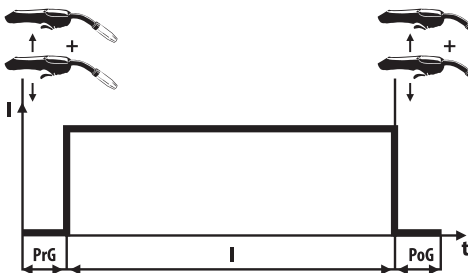
MODO 4 PASSOS: Ao premir e soltar o gatilho da tocha uma vez, a soldura inicia e não é necessário manter o gatilho premido até ao final da soldadura. Voltando a premir e a soltar o gatilho, concluirá o processo de soldadura.

Iniciar a soldadura:

- Prima e mantenha premido o gatilho da tocha.
- O fluxo de gás de proteção inicia aquando do pré-gás.
- No final do pré-gás, o motor de avanço do fio entra modo lento.
- A corrente de soldadura aumenta quando a peça de trabalho é alcançada.
- Liberte o gatilho da tocha premido e a soldadura continuará.

Concluir a soldadura:

- Liberte o gatilho da tocha premido.
- O motor de avanço do fio parará.
- O arco extingue-se, após o tempo de “burn back” definido.
- O processo está concluído após o período de gás final.



PrG : Período de gás inicial

I : Corrente de soldadura

PoG : Período de gás final

MÉTODO: Trata-se da soldadura pnt a mencionar no modo. A soldadura continua durante o tempo de soldadura previsto e termina no final do mesmo. Não será realizada qualquer soldadura, em caso de configuração de período vazio. Este período continuará enquanto não libertar o gatilho.

Tempo de soldadura: 0,2-9,9 e tempo vazio: entre 0,0 e 9,9 segundos.



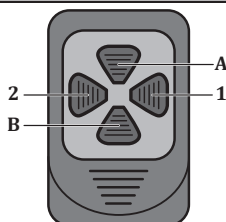
Deve ser preferido, caso pretenda sempre o mesmo cordão de soldadura e penetração. Os comprimentos de soldadura definidos no modo de Método serão iguais.

3.3 Comando à distância

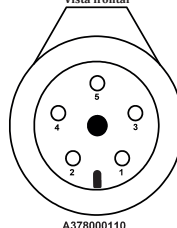
Com uma tocha com as propriedades adequadas e um conector, poderá também alterar a corrente de soldadura (velocidade do fio)/tensão de soldadura através da tocha sem ter de se aproximar da máquina. Ligue a tomada do comando à distância da tocha.

As conexões da tomada são as seguintes:

COM. TOCHA - CASTANHO	_____	A378000110 - 1
COM. TOCHA - PRETO	_____	A378000110 - 2
COM. TOCHA - VERMELHO	_____	A378000110 - 4
COM. TOCHA - BRANCO	_____	A378000110 - 5
COM. TOCHA - VERDE	_____	A378000110 - 3



Tomada do comando à distância da tocha
Vista frontal



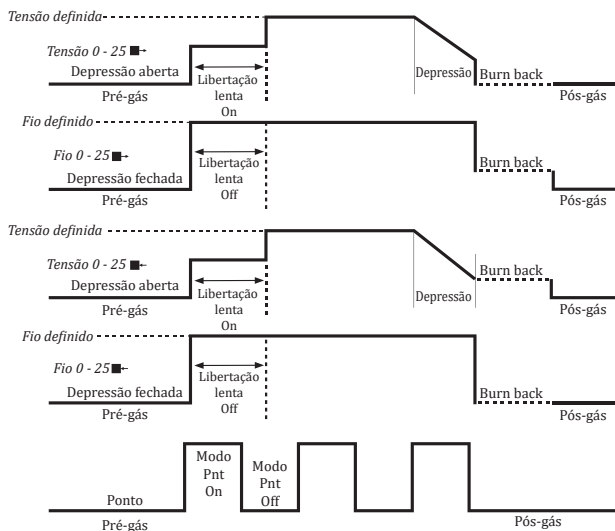
PT

Modo	Botão	Posição
Modo clássico	1	Permite reduzir a velocidade do fio para o valor mínimo admissível (-10%). Opções de configuração: 0,5 m/min
	2	Permite aumentar a velocidade do fio para o valor máximo admissível (+10%). Opções de configuração: 0,5 m/min
	A	Permite aumentar a tensão de soldadura para o valor máximo admissível (+10%). Opções de configuração: 0,5 V
	B	Permite reduzir a tensão de soldadura para o valor mínimo admissível (-10%). Opções de configuração: 0,5 V
Modo inteligente	1	Permite reduzir a corrente do fio para o valor mínimo admissível (-10%). Opções de configuração: 5 A
	2	Permite aumentar a corrente de soldadura para o valor máximo admissível (+10%). Opções de configuração: 5 A
	A	Permite aumentar a tensão de soldadura para o valor máximo admissível (+10%). Opções de configuração: 0,5 V
	B	Permite reduzir a tensão de soldadura fio para o valor mínimo admissível (-10%). Opções de configuração: 0,5 V
Modo sinérgico	1	Permite reduzir a corrente do fio para o valor mínimo admissível (-10%). Opções de configuração: 5 A
	2	Permite aumentar a corrente de soldadura para o valor máximo admissível (+10%). Opções de configuração: 5 A
	A	Permite aumentar a tensão de soldadura para o valor máximo admissível (+10%). Opções de configuração: 0,5 V
	B	Permite reduzir a tensão de soldadura fio para o valor mínimo admissível (-10%). Opções de configuração: 0,5 V

3.4 Ajuste do comprimento do arco (Arc)

Quando o botão 9 é pressionado por 3 segundos, a função de comprimento do arco estará ativa. A configuração de fábrica é 0,0. Você pode alterar a configuração do comprimento do arco na faixa de +7/-7 girando o botão existente para a esquerda e para a direita. Na mudança feita para +7, o contato do arame se aproxima do bocal e o comprimento do arco se torna maior. Na mudança feita para -7, o fio aproxima-se do metal de solda e o comprimento do arco torna-se mais curto. Depois que a configuração desejada é feita, o botão atual é pressionado uma vez para sair da configuração.

3.5 Curva MIG



Parâmetro	Intervalo	Definição de fábrica	MIG 2 posições	MIG 4 posições
Pré-gás	0,0 - 9,9 s	0,1 s	✓	✓
Pós-gás	0,0 - 9,9 s	0,1 s	✓	✓
Burn back	25 - 0 - 25	0	✓	✓
Tempo de arco On	0,2 - 9,9 s	0,2 s	✓	✓
Tempo de arco Off	0,0 - 9,9 s	0,0 s	✓	✓
Diâmetro do fio	0,6 - 2,4 mm	1,0 mm	✓	✓
Espessura	0,6 - 20,0 mm	1,0 mm	✓	✓
Tipo de gás	CO ₂ , Ar/5-10 CO ₂ , Ar/15-25 CO ₂ , Ar/2.5 CO ₂ , Ar/10-15 CO ₂ , Árgon			
Tipo de fio	Steel, AlMg, FCW, AlSi, FCW-M, CuSi, CrNi, CuAl			
Depressão	Ativo/passivo	Passivo	✓	✓
Modo	Sinérgico/inteligente/clássico			
Gatilho	Método/2/4	2	✓	✓
Método	MIG/MAG - MMA - TIG LIFT	MIG / MAG		

3.6 Ligação à alimentação principal



Dependendo do modo, o ajuste da corrente de soldadura definida será realizado através do botão de ajuste. Para configurar, rode o botão para esquerda ou para a direita.

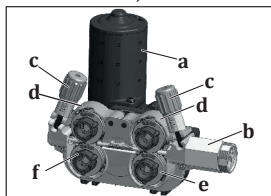


Ligue os polos de acordo com o tipo de processo de soldadura.

- Ligue a máquina através do interruptor ON/OFF.
- Desligue a máquina rodando o interruptor ON/OFF para a posição OFF, depois de ouvir o ruído da ventoinha e ver a luz principal acesa.

3.7 Seleção e substituição de rolos de avanço de fio

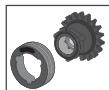
- Ao abrir a cobertura da secção do alimentador de fio, poderá ajustar o gás livre e o fio com o botão na lateral. Verá o sistema de alimentação de fio de 4 rolos com a estrutura de um codificador. Graças à estrutura do sistema, o fio é mecanicamente conduzido através da potência aplicada aos 4 rolos. Mesmo em caso de aquecimento do motor e aumento da fricção, a velocidade de avanço do fio não mudará, proporcionado uma excelente estabilidade do arco. Assim que a máquina é ligada, o LED no interior do compartimento acender-se-á, facilitando a substituição do rolo.



- a- Motor
- b- Conector europeu
- c- Parafuso de ajuste da pressão
- d- Rolos de avanço de fio superiores
- e- Rolos de avanço de fio inferiores
- f- Mecanismo de bloqueio dos rolos de avanço de fio

Figura 5 : Sistema de alimentação de fio

- Utilize rolos de avanço de fio adequados ao material e ao diâmetro do fio de soldar a utilizar. Utilize rolos de avanço de fio com ranhuras em V para aço e aço inoxidável, ranhuras tipo V para fios fluxados e ranhuras em U para alumínio.
- Caso necessite substituir os rolos de avanço de fio, puxe o parafuso de ajuste da pressão para si e, depois de levantar as coberturas dos rolos, remova-os.



- Antes de remover os rolos, deve desbloqueá-los. Invertendo a rotação no sentido do bloqueio, as cavidades no interior do rolo de avanço de fio devem estar sobrepostas nas saliências da estrutura de avanço de fio para desbloquear.



- Ambos os lados dos rolos estão assinalados com o diâmetro do fio utilizado.
- Posicione os rolos na flange com o valor do diâmetro do fio a utilizar virado para si.

- Posicione o rolo a utilizar de tal modo que as cavidades no interior do rolo de avanço de fio se sobreponham às saliências na estrutura de avanço de fio. Rode para direita ou para a esquerda até ouvir um estalido de encaixe e os rolos de avanço de fio estarem posicionados. Depois, desça os rolos de pressão e levante a alavanca do rolo de pressão para bloqueá-la no rolo de pressão.

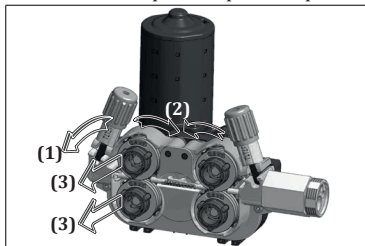


Figura 6: Remoção do rolo de avanço de fio

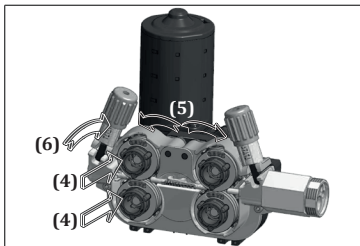
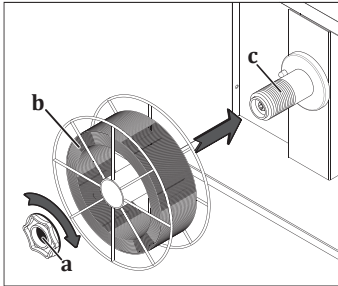


Figura 7: Posicionamento do rolo de avanço de fio

3.8 Colocação da bobine de fio e processo de alimentação de fio

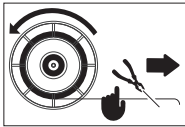
- Desaperte o parafuso do sistema de transporte de fio, rodando. Empurre o rolo de fio de soldar na haste do sistema de suporte do fio e volte a apertar o parafuso.



Apertar o parafuso do sistema de transporte de fio impede o avanço do fio e pode provocar avarias. Caso o parafuso não tenha sido adequadamente apertado, pode fazer com que a bobine de fio, aquando da paragem do avanço de fio, fique vazia após um certo período. Por isso, não aperte o parafuso em excesso ou de modo insuficiente.

Figura 8 : Colocação da bobine de fio

- Puxe e desça o parafuso de pressão no rolo de avanço de fio, para colocar os rolos de pressão em posição inativa.



- Procure e abra a extremidade do fio de soldar na bobine e corte a extremidade com um alicate.



Caso a extremidade não seja encontrada, o fio pode saltar como uma mola e causar ferimentos.

- Sem soltar o fio, passe-o através da entrada até aos rolos e através destes até à tocha.

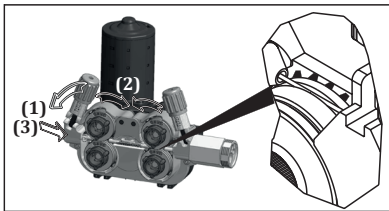
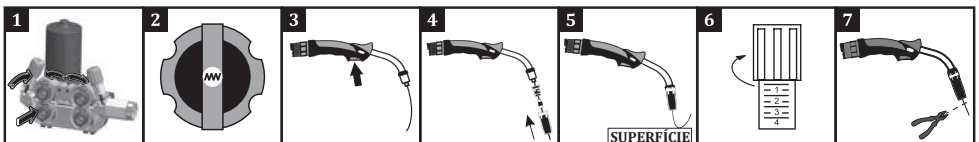


Figura 9 : Alimentação do fio até aos rolos

- Puxe os parafusos de ajuste da pressão para si e liberte a pressão nos rolos **1**.
- Coloque o interruptor ON/OFF na posição "1", para iniciar a máquina **2**.
- Remova o bico e o bico de contacto e prima o gatilho até que o fio saia da ponta da tocha, observando se o rolo de avanço de fio roda livremente. Depois, prima e solte o gatilho algumas vezes, para verificar se existe folga no enrolamento **3**.
- Quando o fio sair da ponta da tocha, volte a fixar o bico e o bico de contacto à tocha **4**.
- Acione o fio sobre um material não isolante **5**, como madeira, e proceda ao ajuste adequado da pressão do fio **6** e corte a ponta do fio **7**.





O excesso de aperto ou frouxidão do parafuso de ajuste da pressão ou a utilização do rolo de avanço de fio incorreto resultarão os efeitos seguintes.

- A: Pressão de fio e dimensões de condutas adequadas.
 B: Distorção do fio, uma vez que a alavanca de pressão está demasiado apertada.
 C: Deterioração da superfície do rolo, devido a excesso de pressão na alavanca de pressão.
 D: O comprimento da conduta do rolo é pequeno para o fio utilizado. Distorção da forma do fio.
 E: O comprimento da conduta do rolo é grande para o fio utilizado. Impossibilidade de transmissão do fio à área de soldadura.

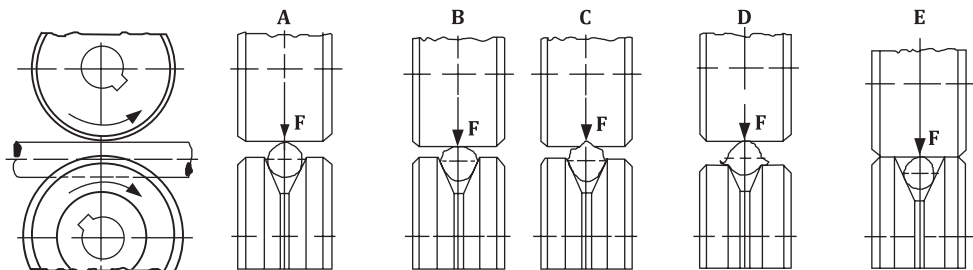


Figura 10 : Erros de configuração da pressão e de seleção de rolo

3.9 Ajuste do fluxo de gás



Para o ajuste e ao ensaio do gás, suba a alavanca de pressão do rolo de avanço de fio!

- Ajuste o fluxo de gás através da válvula de controlo do fluxo.
- A razão do fluxo de gás adequado (CO₂, Ar, mistura) é 10 vezes o diâmetro do fio.
Por exemplo, caso o fio possua um diâmetro de 0,9 mm, o fluxo de gás pode ser ajustado para $10 \times 0,9 = 9 \text{ l/min}$.
- Para um ajuste de fluxo mais preciso, pode recorrer à tabela aqui disponibilizada.
- Após o ajuste do fluxo de gás, suba o braço do mancal de impulso e feche a porta do alimentador de fio.

		Aço macio e metálico	Fluxado	Aço inoxidável	Alumínio
Diâmetro (mm)	0.8	8 lt/min.	7 lt/min.	8 lt/min.	8 lt/min.
	0.9	9 lt/min.	8 lt/min.	9 lt/min.	9 lt/min.
	1.0	10 lt/min.	9 lt/min.	10 lt/min.	10 lt/min.
	1.2	12 lt/min.	11 lt/min.	12 lt/min.	12 lt/min.

3.10 Funcionalidades da máquina

Construção CC/CV

- Permite soldadura MIG, MMA e TIG.

Memória

- Existem 3 memórias que podem ser guardadas.

Variedade de funções de utilização

- Permite uma operação fácil, com os modos clássico, inteligente e sinérgico MIG/MAG.

Arranque progressivo

- Impede a formação de arranque brusco, aumentando gradualmente a velocidade do fio.

Desempenho inteligente

- Graças ao controlo de desempenho inteligente, os parâmetros da máquina são continuamente monitorizados e analisados.
- Em caso de condições anómalas, a máquina altera para o modo de proteção, de modo a aumentar a sua durabilidade e a proteger-se contra avarias.
- Esta proteção é indicada por um LED de aviso térmico no painel da máquina.
- A máquina é reativada após 2 minutos de tempo de segurança.

Ventoinha inteligente

- A temperatura interna da máquina é medida em modo permanente. A velocidade da ventoinha de refrigeração aumenta ou diminui de acordo com a temperatura medida. Quando a temperatura está abaixo de determinado valor, a fase é totalmente interrompida. Esta função reduz a quantidade de poeiras que ingressam na máquina. Assim, é possível uma maior durabilidade da máquina, bem como poupança energética. A ventoinha permite a refrigeração contínua durante a soldadura.

Controlo de corrente/tensão através da tocha

- Com a opção de ligação do comando, é possível alterar a corrente/tensão de soldadura através da tocha sem ter de se aproximar da máquina.

Compatibilidade com robô

- Permite uma fácil utilização, graças à estrutura compatível com robô.

Compatibilidade magnética

- A informação relativa à fonte e aos meios é armazenada em tempo real, graças à estrutura “magNET-ready”. É possível ler alguns valores no painel LCD, na parte da frente da máquina. Outras informações (OEE do equipamento original, parâmetros de soldadura, qualidade, etc.) podem ser armazenados e monitorizados ou comunicados na plataforma magNET. (Opcional)

Operação com geradores

- Adequada para operação com geradores. O valor de operação kVA deve ser determinado de acordo com as especificações técnicas.

Proteção

- Protegida contra ausência de fase ou fase incorreta.

Proteção de tensão

- Caso a tensão de rede seja demasiado elevada ou demasiado baixa, a máquina protege-se automaticamente apresentando um código de erro no ecrã. Desta forma, os componentes da máquina não sofrem danos e garante-se a durabilidade da mesma. Uma vez restauradas as condições normais, as funções da máquina serão reativadas.



MANUTENÇÃO E REPARAÇÃO

- A manutenção e reparação da máquina devem ser realizadas por pessoas qualificadas para o efeito. A nossa empresa não se responsabiliza por quaisquer acidentes que possam ocorrer na sequência de intervenções não autorizadas.
- É possível adquirir as peças a utilizar durante a reparação junto dos nossos serviços autorizados. A utilização de peças de substituição originais prolongará a durabilidade da sua máquina e evitará perdas de desempenho.
- Contacte sempre o fabricante ou um serviço autorizado especificado pelo fabricante.
- Nunca proceda a intervenções por si próprio. Caso o faça, a garantia do fabricante perde a validade.
- Durante a manutenção e reparação, cumpra sempre todas as normas de segurança aplicáveis.
- Antes de efetuar qualquer reparação na máquina, desligue a ficha de alimentação da mesma e aguarde durante 10 segundos pela descarga dos condensadores.

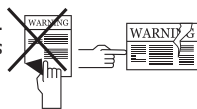
PT

4.1 Manutenção



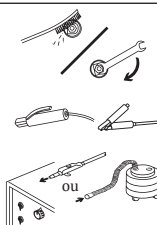
A cada 3 meses

- Não remova as etiquetas de aviso do dispositivo. Substitua as etiquetas usadas/danificadas por etiquetas novas. É possível adquirir etiquetas junto do serviço autorizado.
- Verifique a tocha, grampos e cabos. Preste atenção às ligações e à resistência das peças. Substitua as peças usadas/danificadas por peças novas. Nunca acrescente/repare os cabos.
- Garanta o espaço adequado para ventilação.
- Antes de iniciar a soldadura, verifique, com um fluxómetro, o fluxo de gás da ponta da tocha. Caso o fluxo de gás seja demasiado elevado ou demasiado baixo, corrija o nível para o processo de soldadura.



A cada 6 meses

- Limpe e aperte elementos de fixação, tais como parafusos e porcas.
- Verifique os grampos do eletrodo e de aterramento.
- Abra as coberturas laterais da máquina e limpe com ar seco. Não utilize ar comprimido muito próximo de componente eletrónicos..
- Periodicamente, substitua a água no depósito da unidade de refrigeração a água por água fresca e dura e proteja-a com anticongelante.



NOTA: os intervalos acima indicados são os períodos máximos a aplicar caso não sejam detetados problemas no seu dispositivo. Dependendo da carga de trabalho e da contaminação do seu ambiente de trabalho, é possível repetir os processos com maior frequência.



A operação da máquina nunca deve ocorrer com coberturas abertas.

4.2 Resolução de problemas

As tabelas seguintes indicam erros possíveis e respetivas soluções.

Falha	Motivo	Solução
A máquina não funciona	• Falha da placa eletrónica	• Contacte o serviço de assistência autorizado
	• A conexão elétrica da máquina é problemática	• Certifique-se de que a máquina esteja conectada à eletricidade
	• As ligações à rede estão incorretas	• Verifique o fusível, cabo principal e ficha
	• O fusível, cabo principal ou ficha apresentam problemas	• Verifique o botão liga/desliga (on/off)
	• O botão liga/desliga não está funcionando corretamente	• Contacte o serviço de assistência autorizado
Falha do motor de avanço de fio	• Cartão eletrônico / motor do alimentador de arame está com defeito	• Contacte o serviço de assistência autorizado
O motor de avanço de fio está a funcionar, mas o fio não avança	• Os rolos de avanço de fio não correspondem ao diâmetro do fio	• Selecione o rolo de avanço de fio adequado
	• A pressão nos rolos de avanço de fio é demasiado baixa	• Ajuste o rolo de pressão
Fraca qualidade de soldadura	• O tamanho do bico de contato está selecionado incorretamente ou danificado	• Substitua o bocal de contato
	• O ajuste da pressão dos rolos está incorreto	• A configuração do rolo de pressão deve ser correta
	• O gás de proteção está entrando muito ou pouco	• Verifique o gás usado e sua configuração. Caso não seja possível fazer o ajuste do gás, consulte o serviço autorizado
	• Os parâmetros de soldagem não foram selecionados corretamente	• Altere as configurações de tensão e velocidade do fio
Corrente de soldadura instável e/ou não ajustável	• O alicate de aterramento da máquina não está conectado à peça de trabalho	• Certifique-se de que a máquina esteja conectada à parte do grampo de aterramento
	• Os cabos e os pontos de conexão estão desgastados	• Certifique-se de que os cabos estão protegidos e de que os pontos de conexão não apresentam desgaste
	• Seleção incorreta de parâmetros e de processo	• Certifique-se de que a seleção de parâmetros e de processo está correta
	• Os valores de pólo e amperagem do eletrodo estão errados (na soldagem MMA)	• Verifique o pólo ao qual o eletrodo deve ser conectado e o valor da corrente a ser ajustada na máquina
	• Ponta de tungstênio desgastada (em soldagem TIG)	• Certifique-se de que a ponta de tungstênio esteja limpa
	• A tocha de soldagem está danificada (em soldagem MIG, TIG)	• Certifique-se de que a tocha de soldagem esteja sólida
	• Falha da placa eletrónica	• Contacte o serviço de assistência autorizado

Falha	Motivo	Solução
A ventoinha não funciona	<ul style="list-style-type: none"> Falha no cartão eletrônico/ventilador 	<ul style="list-style-type: none"> Contacte o serviço de assistência autorizado
O valor 0000 será apresentado no ecrã	<ul style="list-style-type: none"> Os parâmetros de soldadura não foram selecionados adequadamente 	<ul style="list-style-type: none"> Todos os parâmetros, tais como tipo de fio, tipo de gás, etc., devem ser selecionados de acordo com o método de soldadura

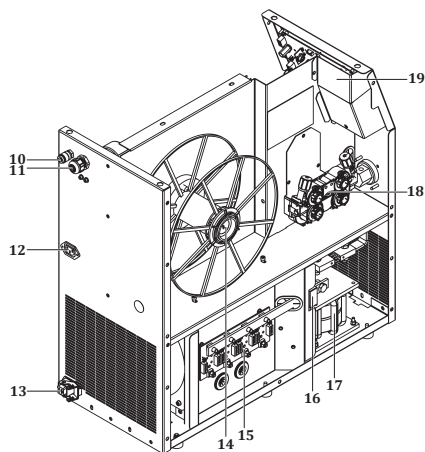
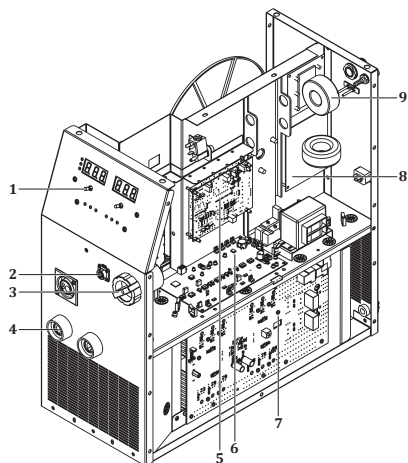
4.3 Códigos de erro

Código de erro	Erro	Causa	Solução
E01	Erro de comunicação	<ul style="list-style-type: none"> Podem existir problemas em diferentes pontos da máquina 	<ul style="list-style-type: none"> Contacte o serviço de assistência autorizado
E02	Proteção térmica	<ul style="list-style-type: none"> O tempo de operação da máquina foi excedido 	<ul style="list-style-type: none"> Aguarde um pouco até que a máquina arrefeça. Caso a falha desapareça, tente ligar a máquina com valores de amperagem mais baixos
		<ul style="list-style-type: none"> A ventoinha pode não estar a funcionar 	<ul style="list-style-type: none"> Verifique visualmente a operação adequada da ventoinha. Caso não funcione, contacte o serviço de assistência autorizado
		<ul style="list-style-type: none"> Os canais de entrada e de saída de ar podem estar obstruídos 	<ul style="list-style-type: none"> Abra os canais de ar
E03	Falha de sobretensão	<ul style="list-style-type: none"> Possível sobrecarga da máquina 	<ul style="list-style-type: none"> Contacte o serviço de assistência autorizado
		<ul style="list-style-type: none"> Podem existir problemas em diferentes pontos da máquina 	<ul style="list-style-type: none"> Contacte o serviço de assistência autorizado
E04	Tensão de rede reduzida	<ul style="list-style-type: none"> Possível redução da tensão de rede 	<ul style="list-style-type: none"> Verifique os cabos de ligação à rede e tensão. Certifique-se de que está disponível a tensão correta de entrada. Caso a tensão de rede esteja normal, contacte o serviço de assistência autorizado
E05	Falha na leitura do sensor térmico	<ul style="list-style-type: none"> Possível falha do sensor térmico ou problema de ligação elétrica 	<ul style="list-style-type: none"> Contacte o serviço de assistência autorizado
E06	Tensão de rede elevada	<ul style="list-style-type: none"> Possível aumento da tensão de rede 	<ul style="list-style-type: none"> Verifique os cabos de ligação à rede e tensão. Certifique-se de que está disponível a tensão correta de entrada. Caso a tensão de rede esteja normal, contacte o serviço de assistência autorizado

ANEXO

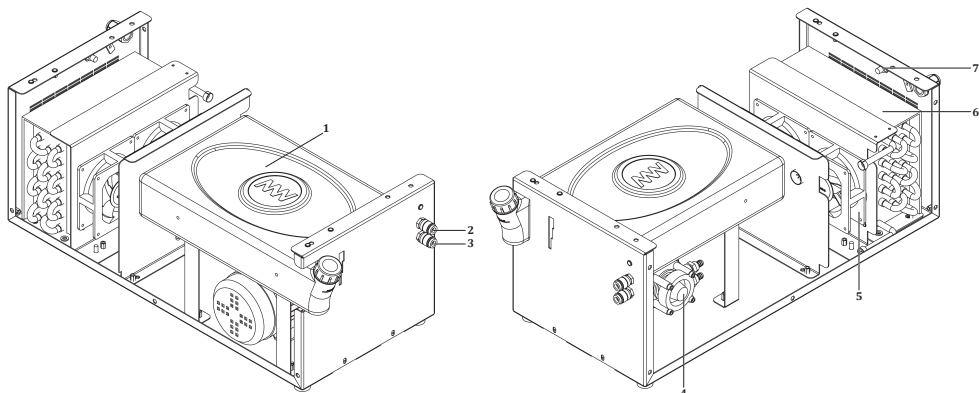
5.1 Listas de peças de substituição

Lista de peças de substituição da fonte de alimentação



N.º	DEFINIÇÃO	CÓDIGO MATERIAL
1	Potenciômetro	A229500001
2	Conector	A378000103
3	Botão de Interruptor	A308900004
4	Tomada de soldadura	A377900106
5	Placa eletrónica E121A-2	K405000230
6	Placa eletrónica E206A-CNT3P	K405000324
7	Placa eletrónica E206A-1	K405000253
8	Placa eletrónica E202A-FLT4	K405000254
9	Placa eletrónica RS Filtro	K405000262
10	Glândula da Válvula de Gás	A256000609
11	União Plástica	A376400016
12	Conector de alimentação	A378000050
13	Conector	A378002002
14	Sistema sup. fio, ligação 3 vias	A229900003
15	Placa eletrónica E202A-4A	K405000255
16	Placa eletrónica E121A-2	K405000230
17	Bobina	A421050002
18	Sistema de avanço de fio processado	K309002213
19	Placa eletrónica E309A-3A	K405000312
	Placa eletrónica E309A-3B	K405000313

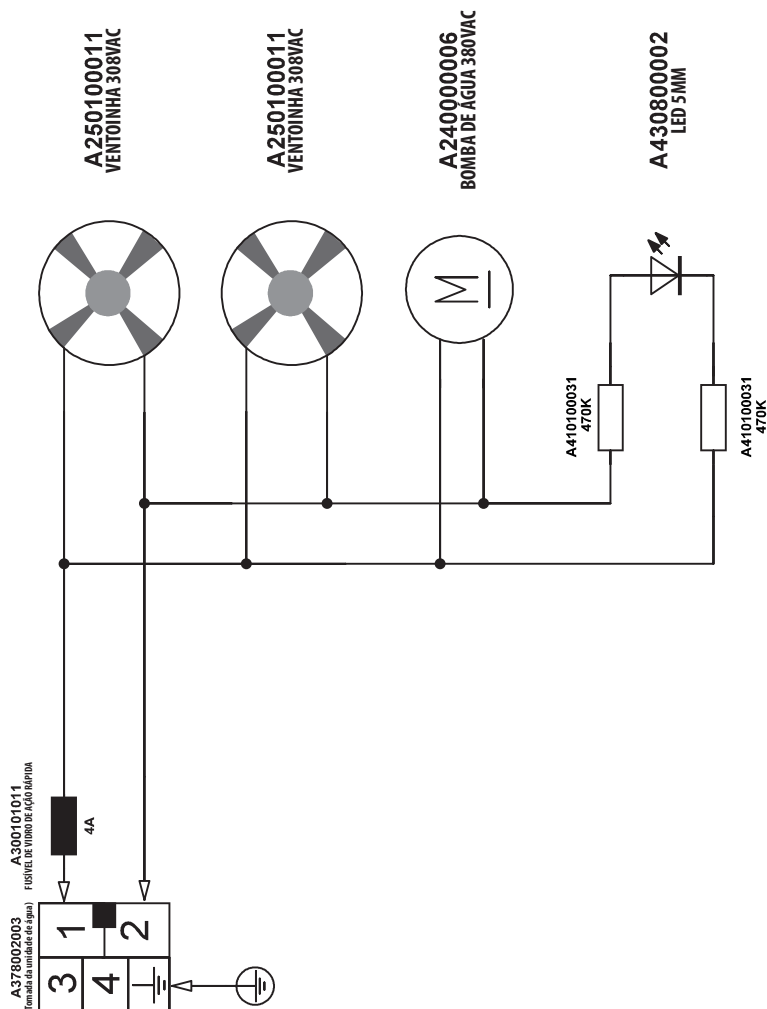
Lista de peças de substituição da unidade de refrigeração a água



PT

N.º	DEFINIÇÃO	CÓDIGO MATERIAL
1	Reservatório de água	A249000005
2	União rápida vermelha	A245700003
3	União rápida azul	A245700002
4	Bomba de água	A240000006
5	Ventoinha	A250001126
6	Radiador	A260000010
7	Porta-fusíveis de vidro	A300190001
8	Fusível de vidro de ação rápida	A300101011

5.3 Diagrama do circuito da unidade de água



INFORMAÇÃO DO PRODUTO**Modelo****Número de série****FABRICANTE****Nome**

MAGMA MEKATRONİK MAKİNE SANAYİ VE TİCARET A.Ş.

Morada

Organize Sanayi Bölgesi 5. Kısım MANİSA

Telefone/e-mail

+90 236 226 27 00 / info@magmaweld.com

DADOS DA AQUISIÇÃO**Nome do distribuidor****Cidade/país****Telefone/e-mail****Data de aquisição****DADOS DO CLIENTE****Nome da empresa****Cidade/país****Telefone/e-mail****Nome de contacto****DADOS DE ASSISTÊNCIA (se aplicável)****Nome da empresa****Nome do técnico****Data de entrada em funcionamento**
(data de início da garantia)

Para consultar os termos da garantia, visite a nossa página
www.magmaweld.com/warranty-terms/wt.


ÍNDICE

	NORMAS DE SEGURIDAD	208
1	INFORMACIÓN TÉCNICA	
1.1	Descripciones generales	214
1.2	Componentes de la máquina	214
1.3	Etiqueta del producto	216
1.4	Especificaciones técnicas	218
1.5	Accesorios	218
2	INSTALACIÓN	
2.1	Consideraciones al recibir	219
2.2	Recomendaciones de instalación y funcionamiento	219
2.3	Conexiones de soldadura	220
2.3.1	Conexión de enchufe eléctrico	220
2.3.2	Conexión de las pinzas de tierra a la pieza de trabajo	220
2.3.3	Conexiones de gas	220
2.3.4	Unidad de refrigeración por agua	221
3	INFORMACIÓN DE USO	
3.1	Configuraciones en la Bolsa	222
3.2	Interfaz de usuario	224
3.3	Control Remoto	229
3.4	Ajuste de longitud de arco (ArC)	230
3.5	Curva MIG	230
3.6	Conexión a la red eléctrica	231
3.7	Selección y reemplazo del rodillo alimentador de alambre	231
3.8	Inserción del rodillo de alambre y manejo del alambre	232
3.9	Ajuste del flujo de gas	233
3.10	Características de la máquina	234
4	MANTENIMIENTO Y FALLAS	
4.1	Mantenimiento	235
4.2	Reparación de averías	236
4.3	Códigos de error	237
5	ANEXOS	
5.1	Listas de repuestos	238
5.2	Diagrama de bloques	240
5.3	Diagrama del circuito de la unidad de agua	241

NORMAS DE SEGURIDAD

Siga todas las normas de seguridad incluidas en el manual!

Definición de información de seguridad



- Los símbolos de seguridad del manual se utilizan para identificar peligros potenciales.
- Cuando aparezca cualquier símbolo de seguridad en este manual, debe entenderse que existe un riesgo de lesiones y los peligros potenciales deben evitarse leyendo atentamente las siguientes explicaciones.
- El propietario de la máquina es responsable de evitar que personas no autorizadas accedan al equipo.
- Las personas que utilizan la máquina tienen experiencia o están completamente capacitadas en soldadura/corte, debe leer el manual del usuario y seguir las advertencias de seguridad antes de comenzar el trabajo.

Definición de símbolos de seguridad



ATENCIÓN

Indica una situación potencialmente peligrosa que podría provocar lesiones o daños. En caso de no tomar precauciones, se pueden producir lesiones o pérdidas/daños materiales.



IMPORTANTE

Indica información y advertencias de uso.



PELIGRO

Indica peligro grave. Cuando no proceda, puede provocar la muerte o lesiones graves.

Comprender las advertencias de seguridad



- Lea atentamente el manual de usuario, las etiquetas y las advertencias de seguridad de la máquina.
- Asegúrese de que las etiquetas de advertencia de la máquina estén en buen estado. Reemplace las etiquetas faltantes o dañadas.
- Aprenda cómo se opera la máquina y cómo hacer debidamente los controles.
- Utilice la máquina en entornos de trabajo adecuados.
- Los cambios inapropiados que se puedan realizar en su máquina afectarán negativamente la operación segura y la vida útil de su máquina.
- El fabricante no asume responsabilidad de las consecuencias de operar el dispositivo fuera de las condiciones especificadas.

Peligro de muerte por descarga eléctrica!



Asegúrese de que los procedimientos de instalación cumplan con los estándares eléctricos nacionales y otras regulaciones pertinentes, y haga que personas autorizadas instalen la máquina.

- Use guantes y delantal secos y bien aislados. Nunca use guantes y delantales mojados o dañados.
- Lleve ropa protectora ignífuga contra el riesgo de quemaduras. La ropa utilizada por el operario debe ser protectora contra chispas, salpicaduras y radiación de arco.
- No trabaje solo. En caso de peligro, asegúrese de que haya alguien en su entorno que pueda informarle.
- No toque el electrodo con las manos desprotegidas. Evite que los alicates o electrodos del electrodo entren en contacto con cualquier persona u objeto conectado a tierra.
- Nunca toque partes con acumulación de cargas eléctricas.
- Si está en contacto con un electrodo conectado a la superficie de trabajo, piso u otra máquina, nunca toque el electrodo.
- Puede protegerse de posibles descargas eléctricas aislándose de la superficie de trabajo y del suelo. Utilice un material aislante no inflamable, eléctricamente aislante, seco y sin daños lo suficientemente grande como para eliminar el contacto entre la superficie de trabajo y el operario.
- No conecte más de un electrodo al portaelectrodos.
- Fije las pinzas de puesta a tierra a la pieza de trabajo o a la mesa de trabajo lo más cerca posible para garantizar un buen contacto de metal con metal.
- Verifique la antorcha antes de operar la máquina. Asegúrese de que la antorcha y sus cables estén en buenas condiciones. Asegúrese de reemplazar una antorcha dañada y desgastada.
- No toque los portaelectrodos conectados a 2 máquinas diferentes al mismo tiempo ya que habrá doble tensión de circuito abierto.
- Mantenga la máquina apagada cuando no esté en uso y desconecte los cables.
- Desconecte todas las conexiones de alimentación y/o enchufes o apague la máquina antes de repararla.

- Tenga cuidado al utilizar un cable de red largo.
- Asegúrese de que todas las conexiones estén apretadas, limpias y secas.
- Asegúrese de que los cables estén secos, limpios y sin aceite. Proteja de piezas de metal calientes y chispas.
- Los cables pelados sin aislamiento representan un peligro mortal. Compruebe con frecuencia todos los cables para detectar posibles daños. Si detecte un cable dañado o sin aislamiento, repárelo o reemplácelo de inmediato.
- Si las pinzas de puesta a tierra no están conectadas a la pieza de trabajo, aisléla para evitar el contacto con cualquier objeto metálico.
- Asegúrese de que la conexión a tierra de la línea eléctrica se realice correctamente.
- No use la salida de soldadura de CA en áreas mojadas, húmedas o congestionadas y donde haya peligro de caída.
- Use la salida de CA solo cuando sea necesario para el proceso de soldadura.
- Cuando se requiera salida de CA, use la unidad de control remoto si está disponible en su máquina.

cuando exista una de las siguientes situaciones eléctricamente peligrosas, tome precauciones de seguridad adicionales;

- Cuando esté en lugares húmedos o con ropa mojada,
- Cuando se encuentre en pisos de metal, estructuras de rejilla o andamios,
- Cuando esté en posiciones estrechas, como sentarse, arrodillarse o acostarse,
- Cuando el riesgo de contacto con la pieza o el suelo sea alto o inevitable.

Se pueden utilizar los siguientes equipos:

- Máquina de soldadura MIG de tensión constante (CV) CC semiautomática,
- Máquina de soldadura MMA manual de CC,
- Máquina de soldar CC o CA con bajo tensión de circuito abierto (VRD), si corresponde.

Cosas que hacer en caso de descarga eléctrica



- Apague la eléctrica.
- Utilice materiales no conductores, como madera seca, para liberar a la víctima de la descarga eléctrica de cables o piezas con corriente.
- Llame a los servicios de emergencia.

Si tiene formación en primeros auxilios;

- Si la víctima no respira, realice la RCP inmediatamente después de perder el contacto con la fuente eléctrica. Continúe con la RCP hasta que comience a respirar o llegue la ayuda.
- Utilícelo según las indicaciones cuando haya disponible un desfibrilador electrónico automático (DEA).
- Trate una quemadura eléctrica, por ej. una quemadura térmica, por medio de compresa fría. Prevenga la infección y cubra con un paño limpio y seco.

Las piezas móviles pueden causar lesiones



- Manténgase alejado de los objetos en movimiento.
- Mantenga todas las cubiertas, paneles, puertas, etc. de la máquina y los dispositivos cerrados y bloqueados.
- Use zapatos con punta de metal con el fin de evitar la posibilidad de que se caigan objetos pesados.

El humo y los gases pueden ser perjudiciales para la salud



Es muy peligroso respirar el humo y el gas que se liberan durante la soldadura y el corte durante mucho tiempo.

- Sensaciones de ardor e irritación en ojos, nariz y garganta señalan una ventilación insuficiente. En tal caso, aumente inmediatamente la ventilación; si el problema persiste, pare de soldar/cortar.
- Cree un sistema de ventilación natural o artificial en el área de trabajo.
- Utilice un sistema de extracción de humos adecuado en los puntos de soldadura/corte. Si es necesario, instale un sistema que pueda expulsar los humos y gases acumulados en todo el taller. Durante la descarga, utilice un sistema de filtración adecuado para evitar contaminar el medio ambiente.
- En espacios confinados o soldando plomo, berilio, cadmio, zinc, materiales revestidos o pintados, además de las precauciones anteriores, use respiradores que proporcionen aire fresco.
- Si los cilindros de gas están agrupados en un área separado, asegure una buena ventilación de estas áreas, mantenga las válvulas principales cerradas cuando los cilindros de gas no estén en uso, preste atención a las fugas de gas.
- Los gases protectores como el argón son más densos que el aire y existe la posibilidad de inhalarlos en lugar de aire en espacios confinados.

- No realice operaciones de soldadura/corte en presencia de vapores de hidrocarburos clorados liberados durante los procesos de lubricación o pintura.
- Algunas piezas soldadas/cortadas requieren ventilación particular. Se deben leer con atención las normas de seguridad de los productos que requieran una ventilación particular. En los casos en que se requiera, se debe usar una máscara antigás adecuada.

Las salpicaduras y la luz del arco pueden dañar los ojos y la piel



- Use una máscara protectora estándar y un filtro de vidrio adecuado para proteger sus ojos y su cara.
- Proteja demás partes expuestas de su cuerpo (brazos, cuello, orejas, etc.) de salpicaduras y rayos de arco con ropa protectora adecuada.
- Rodee su área de trabajo con pantallas a prueba de llamas más altas que el nivel de los ojos y cuelgue carteles de advertencia para que las personas a su alrededor no sufran daños por los rayos del arco y los metales calientes.
- No se utiliza para calentar tuberías heladas. Operar con una máquina de soldar/cortar provocará una explosión, un incendio o daños en su instalación.

Las chispas y las piezas que salpican pueden dañar sus ojos



- Operaciones como soldadura/corte, esmerilado de superficies, cepillado provocan chispas y salpicaduras de partículas metálicas. Para evitar posibles lesiones, use gafas de seguridad aprobadas con protectores laterales debajo de la máscara protectora.

Las piezas calientes pueden causar quemaduras graves



- No toque las piezas calientes con las manos desprotegidas.
- Antes de trabajar en las piezas de la máquina deje que se enfríen.
- Cuando necesite manipular piezas calientes, utilice herramientas adecuadas, guantes de soldadura/corte con alto aislamiento térmico y ropa ignífuga.

El ruido puede dañar su audición



- El ruido generado por algunos equipos y procesos puede afectar su audición.
- Si el nivel de ruido es alto, use protectores auditivos aprobados.

El alambre de soldadura puede causar lesiones



- No apunte el soplete a ninguna parte del cuerpo, a otras personas ni a ningún metal mientras desenrolla el alambre de soldadura.
- Cuando desenrolle manualmente el alambre de soldadura, el alambre delgado puede saltar de su mano como un resorte y dañar a usted o a otras personas a su alrededor. Al hacer esto, protéjase los ojos y la cara.

La soldadura/corte puede provocar incendios y explosiones



- Nunca suelde/corte cerca de materiales inflamables. Puede haber incendio o explosiones.
- Antes de comenzar el proceso de soldadura/corte, retire estos materiales del ambiente o cúbralos con fundas protectoras para evitar que se quemen y escalden.
- En estas áreas se aplican normas particulares nacionales e internacionales.

- No suelde/corte tubos o tuberías completamente cerrados.
- Antes de soldar/cortar tubos y recipientes cerrados, ábralos, vacíelos completamente, ventílelos y límpielos. Tenga el mayor cuidado posible cuando suelde/corte en tales lugares.
- No suelde/corte tubos o tuberías que contengan sustancias que puedan causar explosión, incendio u otras reacciones, incluso si están vacíos.
- Se producen altas temperaturas durante el proceso de soldadura/corte. ¡Debido a esto, no se debe colocar sobre superficies inflamables o dañadas.

- Las chispas y salpicaduras pueden provocar un incendio. Mantenga materiales como tubos de extintores, agua y arena al alcance de la mano.
- Utilice válvulas de retención, reguladores de gas y válvulas en circuitos de gases inflamables, explosivos y válvulas de gas. Asegúrese de que se revisen periódicamente y de que funcionen de una manera correcta.

El mantenimiento de maquinaria y la tensión por parte de personas no autorizadas puede causar lesiones



- Los dispositivos eléctricos no deben ser reparados por personas no autorizadas. Los errores cometidos aquí pueden provocar lesiones graves o la muerte durante el uso.
- Los elementos del circuito de gas funcionan bajo presión; los servicios por personas no autorizadas pueden resultar con explosiones y lesiones graves de los usuarios.
- Se recomienda realizar el mantenimiento técnico de la máquina y sus periféricos al menos una vez al año.

Soldadura/Corte en Espacios Confinados de Pequeño Volumen



- Asegúrese de realizar operaciones de soldadura/corte con otra persona en pequeños volúmenes y áreas cerradas.
- Evite en la medida de lo posible las operaciones de soldadura/corte en lugares tan cerrados.

No tomar las precauciones requeridas durante el transporte puede causar accidentes



- Tome todas las precauciones requeridas durante el transporte de la máquina. Las áreas a transportar, las partes que se utilizarán en el transporte y las condiciones físicas y de salud de la persona que realizará el transporte deben ser adecuadas para el proceso de transporte.
- Algunas máquinas son extremadamente pesadas, por lo que al trasladarlas se debe asegurarse de que se toman las precauciones de seguridad ambiental requeridas.
- Si la máquina se utilizará en una plataforma, se debe verificar que ésta soporta los límites de carga adecuados.
- En caso de transportar con el medio de un vehículo (carro de transporte, carretilla elevadora, etc.), asegúrese de que el vehículo y los puntos de conexión que conectan la máquina a eso (gancho de transporte, correa, tornillo, tuerca, rueda, etc.) están intactos.
- Si se va a realizar un transporte manual, asegúrese de que los la tensiones de la máquina (correa de transporte, cinturón, etc.) y las conexiones estén intactos.
- Para garantizar las condiciones de transporte necesarias, respetad las normas de la Organización Internacional del Trabajo relativas al peso de transporte y las normas de transporte de su país.
- Utilice siempre las asas o las agarraderas de transporte en el momento de reubicar la fuente de alimentación. Nunca tire de sopletes, cables o mangueras. Lleve siempre los cilindros de gas por separado.
- Antes de transportar el equipo de soldadura/corte, retire todas las interconexiones, levante y transporte las pequeñas por sus asas, las más grandes por las agarraderas de transporte o utilizando equipos de elevación adecuados, como carretillas elevadoras.

ES

Las piezas que caen pueden causar lesiones



La colocación incorrecta de la fuente de alimentación u otro equipo puede provocar lesiones graves a las personas y daños materiales a otros objetos.

- Coloque su máquina sobre pisos y plataformas con una pendiente máxima de 10° para que no se caiga ni vuelque. Prefiera áreas libres de polvo, bien ventiladas, anchas, inmóviles, en los que no interferirá con el flujo de material, no se producirá el riesgo de engancharse en cables y mangueras. Para evitar que las botellas de gas vuelquen, fijelas a la plataforma en máquinas con plataforma de gas adecuada para la botella, y a la pared con una cadena para que no vuelquen en usos estacionarios.
- Proporcione a los operarios un fácil acceso a las configuraciones y conexiones en la máquina.

El uso excesivo provoca el sobrecalentamiento de la máquina



- Deje que la máquina se enfríe de acuerdo con los ciclos de trabajo.
- Disminuya la relación del ciclo de trabajo o corriente antes de comenzar a soldar/cortar nuevamente.
- No bloquee las aberturas de ventilación de la máquina.
- No coloque filtros en las entradas de ventilación de la máquina sin la aprobación del fabricante.

La soldadura por arco puede causar interferencias electromagnéticas



- Este dispositivo es del grupo 55011 clase A en las pruebas de EMC según la norma TS EN 2,
- Este dispositivo de clase A no está diseñado para usarse en áreas residenciales donde la energía eléctrica proviene de una red de bajo tensión. En tales lugares, puede haber dificultades potenciales para garantizar la compatibilidad electromagnética debido a la interferencia de radiofrecuencia transmitida y radiada.



Este dispositivoV no cumple con IEC 61000 -3 - 12 Si se desea conectarse a la red de baja tensión que se utiliza en el hogar, el instalador que realizará la conexión eléctrica o la persona que utilizará la máquina debe tener conocimiento de la conectividad de la máquina, en este caso es bajo la responsabilidad del usuario .ir.

- Asegúrese de que el área de operación cumpla con la compatibilidad electromagnética (EMC). Las interferencias electromagnéticas que pueden ocurrir durante el proceso de soldadura/corte pueden causar efectos no deseados en sus dispositivos electrónicos y en su red. Cualquier efecto causado por estas interferencias durante el funcionamiento es bajo la responsabilidad del usuario.
- En caso de alguna interferencia, para garantizar el cumplimiento; se pueden tomar medidas adicionales, como usar cables cortos, usar cables blindados, reubicar la máquina, quitar cables del dispositivo y/o área afectada, usar un filtro o proteger el área de trabajo en términos de EMC.
- Realice sus operaciones de soldadura/corte lo más lejos posible (100 m) de sus dispositivos electrónicos sensibles para evitar posibles daños EMC.
- Asegúrese de que su máquina esté instalada y colocada de acuerdo con el manual de instrucciones.

**Evaluación de la
Compatibilidad
Electromagnética del
Área de Estudio**



Según IEC 60974-9 cláusula 5.2

Antes de instalar equipos de soldadura/corte, el operario y/o el usuario deben realizar una investigación de posibles interferencias electromagnéticas en el entorno. Deben tenerse en cuenta las siguientes situaciones:

- Otros cables de alimentación, cables de control, cables de señal y telefónicos arriba, abajo y junto a la máquina de soldar/cortar y sus equipos;
- Transmisores y receptores de radio y televisión;
- Ordenadores y otros equipos de control;
- Equipos críticos de seguridad, por ejemplo, la protección de equipos industriales;
- la tensiones médicos de personas cercanas, por ejemplo, marcapasos y audífonos;
- Equipos utilizados para la medición o calibración;
- Inmunidad de otro equipo en el entorno. El usuario debe asegurarse de que otros equipos que se utilicen en el entorno sean compatibles. Esto puede requerir medidas de protección suplementarias,
- Los límites del área de estudio se pueden ampliar de acuerdo con el tamaño del entorno, la estructura del edificio y otras actividades que se llevan a cabo en el edificio, teniendo en cuenta el tiempo de la operación de soldadura/corte a lo largo del día.

Además de la evaluación del área, también puede exigirse la evaluación de las instalaciones del dispositivo para resolver el solapamiento. Cuando sea necesario, las mediciones in situ también se pueden utilizar con el fin de confirmar la eficiencia de las medidas de mitigación.

(Fuente: IEC 60974-9).

**Métodos de reducción
de ruidoV**



- El dispositivo debe ser conectado a la red eléctrica según las recomendaciones y por una persona autorizada. En caso de interferencias, se pueden aplicar medidas adicionales, como filtrar la red. El suministro de equipos de soldadura por arco montados permanentemente debe ser a través de un conducto metálico o un cable blindado equivalente. El blindaje y la carcasa de la fuente de alimentación deben estar conectados y se debe mantener un buen contacto eléctrico entre las dos estructuras.
- Se debe realizar el mantenimiento periódico recomendado del dispositivo. Todas las escotillas deben estar cerradas y/o bloqueadas cuando el la tensión está en uso. No se pueden realizar cambios o modificaciones en el dispositivo que no sean sus configuraciones estándar; sin la aprobación por escrito del fabricante. En caso contrario, el usuario será responsable de toda la consecuencia que pudiera derivarse.
- Los cables de soldadura/corte deben mantenerse lo más cortos posible. Deben correr uno al lado del otro desde el piso del área de trabajo. Los cables de soldadura/corte no deben enrollarse.
- Se forma un campo magnético en la máquina durante la soldadura/corte. Esto puede hacer que la máquina tire de las piezas de metal sobre sí misma. Para evitar este disparo, asegúrese de que los materiales metálicos estén a una distancia segura o fijos. El operario debe estar aislado de todos estos materiales metálicos interconectados.
- En los casos en que la pieza de trabajo no esté conectada a tierra por motivos de seguridad eléctrica o debido a su tamaño y posición (p. ej., casco de barco o fabricación de construcciones de acero), una conexión entre la pieza de trabajo y tierra puede reducir las emisiones en algunos casos. Debe tenerse en cuenta que conectar a tierra la pieza de trabajo puede causar lesiones a los usuarios o el mal funcionamiento de otros equipos eléctricos en el entorno. Cuando sea necesario, la conexión a tierra y la pieza de trabajo se pueden realizar como una conexión directa, pero en algunos países donde la conexión directa no está permitida, la conexión se puede establecer utilizando elementos de capacidad adecuados de acuerdo con las normas y reglamentos locales.
- El blindaje y la protección de otros dispositivos y cables en el área de trabajo pueden evitar efectos disruptivos. Se puede considerar el blindaje de toda la zona de soldadura/corte para algunas aplicaciones específicas.

Campo electromagnético (CEM)

La corriente eléctrica que pasa a través de cualquier conductor crea campos eléctricos y magnéticos (CEM) locales.

Los operarios deben seguir los procedimientos a continuación con el fin de minimizar el riesgo que representa la exposición a CEM;

- Los cables de soldadura/corte deben juntarse y asegurarse con materiales de unión (cinta, bridas, etc.) tanto como sea posible, para reducir el campo magnético.
- El cuerpo y la cabeza del operario deben mantenerse lo más alejados posible de las máquinas de soldar/cortar y los cables;
- Los cables de soldadura/corte y eléctricos no deben enrollarse alrededor del cuerpo;
- El cuerpo no debe quedar atrapado entre los cables de soldadura/corte. Los cables de soldadura/corte deben mantenerse alejados del cuerpo, ambos uno al lado del otro;
- El cable de retorno debe conectarse a la pieza de trabajo lo más cerca posible del área de soldadura / corte;
- No debe apoyarse en la unidad de potencia, no debe sentirse ni trabajar muy cerca de esa;
- No se debe soldar/cortar mientras se transporta la unidad de potencia o el alimentador de alambre.

Los CEM también pueden afectar el funcionamiento de los implantes médicos (material implantado) como los marcapasos. Se deben tomar medidas de protección para las personas con implantes médicos. Por ejemplo, se puede restringir el acceso a los transeúntes o se pueden realizar evaluaciones de riesgo individuales para los operarios. Un profesional médico debe realizar una evaluación de riesgos y una recomendación para los usuarios con implantes médicos..

ES

- Protección** • No exponga la máquina a la lluvia, salpicaduras de agua o vapor a presión.

**Eficiencia Energética**

- Prefiera el método y la máquina adecuados para el proceso de soldadura/corte.
- Seleccione la corriente y/o tensión adecuado para el material y espesor que de soldadura/corte.
- Si el período de inactividad será largo, deje que el ventilador enfríe la máquina y apague. Las máquinas con control inteligente de ventiladores se detendrán automáticamente.

**Procedimiento de Residuos**

- Este dispositivo no es basura doméstica. Debe estar dirigido al reciclaje según la legislación nacional con la directiva de la Unión Europea.
- Obtenga información de su distribuidor y personas autorizadas sobre la gestión de residuos de su máquina.

**FORMULARIO DE GARANTÍA**

Para obtener el formulario de garantía, visite nuestro sitio web www.magmaweld.com/warranty-form/wr.

INFORMACIÓN TÉCNICA

1.1 Descripciones generales

ID 300 MK / MKW PULSE SMART, ID 400 MK / MKW PULSE SMART es una soldadora industrial inverter MIG / MAG trifásica con tecnología Pulse, diseñada para condiciones duras. Ofrece fácil movimiento con su estructura compacta. Tiene excelentes características de soldadura con todos los alambres sólidos y tubulares. Fuente de alimentación CC/CV; Le permite realizar métodos de soldadura MIG, TIG, MMA y corte de carbono con una sola máquina. Gracias a su función sinérgica, la corriente y el voltaje de soldadura se ajustan automáticamente después de determinar el tipo de alambre, el grosor y el tipo de gas. Los modos clásico e inteligente facilitan la adaptación del usuario al modo sinérgico.

1.2 Componentes de la máquina

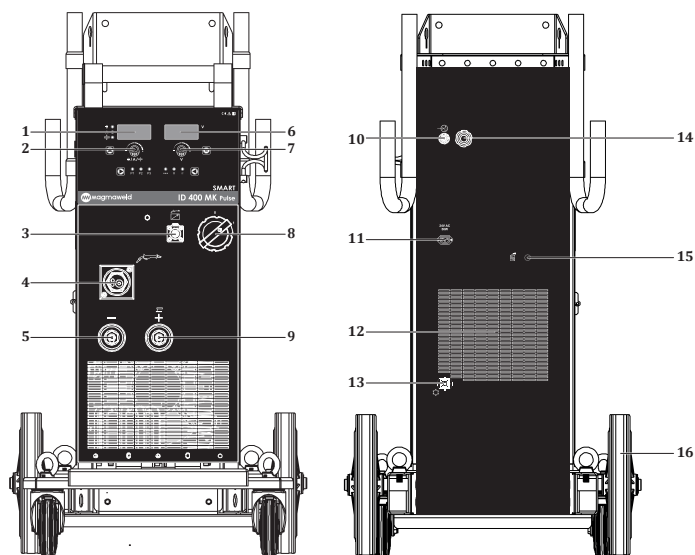


Figura 1 : ID 300 MK PULSE SMART / ID 400 MK PULSE SMART
Vista frontal y trasera

- | | |
|-------------------------------------|------------------------------------|
| 1- Pantalla digital | 9- Electrodo (+) Conexión Polo |
| 2- Potenciómetro | 10- Entrada de gas |
| 3- Toma de datos | 11- Zócalo de calefacción |
| 4- Conexión antorcha | 12- Admirador |
| 5- Conexión de polos | 13- Unidad de agua Toma de energía |
| 6- Pantalla digital | 14- Cable de red |
| 7- Potenciómetro | 15- Entrada de cables |
| 8- Interruptor de encendido/apagado | 16- Rueda |

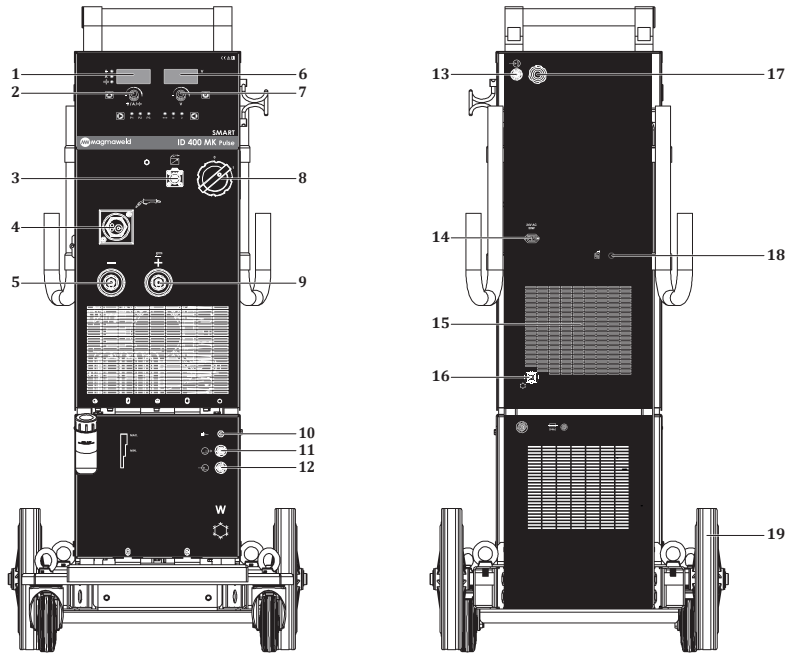


Figura 2 : ID 300 MKW PULSE SMART / ID 400 MKW PULSE SMART

Vista frontal y trasera

- | | |
|--|---|
| <ul style="list-style-type: none"> 1- Pantalla digital 2- Potenciómetro 3- Toma de datos 4- Conexión antorcha 5- Conexión de polos 6- Pantalla digital 7- Potenciómetro 8- Interruptor de encendido/apagado 9- Electrodo (+) Conexión Polo 10- Led Unidad Agua | <ul style="list-style-type: none"> 11- Unidad de agua Entrada de agua caliente 12- Unidad de agua Salida de agua fría 13- Entrada de gas 14- Zócalo de calefacción 15- Admirador 16- Unidad de agua Toma de energía 17- Cable de red 18- Entrada de cables 19- Rueda |
|--|---|

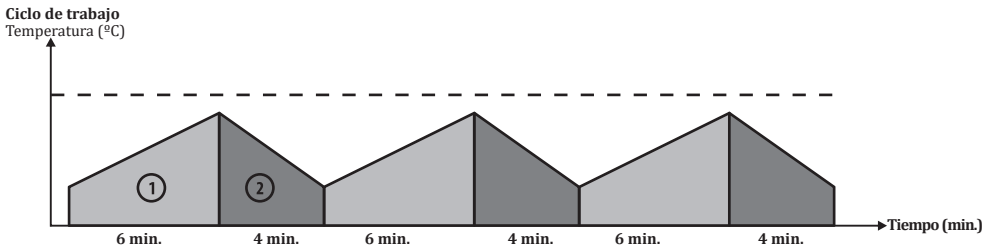
ES

1.3 Etiqueta del producto

MAGMA MEKATRONİK MAKİNE SAN. VE TİC. A.Ş. Organize Sanayi Bölgesi 5.Kısım Manisa-TÜRKİYE											
ID 300MK Pulse SMART					S/N:						
					EN 60974-1 / EN 60974-10 Class A						
	---	50A / 22V - 300A / 32V					---	50A / 16.5V - 300A / 29V			
		X _(40C)	40%	60%	100%			X _(40C)	40%	60%	100%
	U _s =82V	I ₂	300A	245A	190A		U _s =82V	I ₂	300A	245A	190A
		U ₂	32V	29.8V	27.6V			U ₂	29V	26.2V	23.5V
	U _i =400V	I _{max} = 23.2A	I _{ref} = 14.7A		U _i =400V	I _{max} = 21.3A	I _{ref} = 13.5A				
IP21S											
MAGMA MEKATRONİK MAKİNE SAN. VE TİC. A.Ş. Organize Sanayi Bölgesi 5.Kısım Manisa-TÜRKİYE											
ID 300MKW Pulse SMART					S/N:						
					EN 60974-1 / EN 60974-10 Class A						
	---	50A / 22V - 300A / 32V					---	50A / 16.5V - 300A / 29V			
		X _(40C)	40%	60%	100%			X _(40C)	40%	60%	100%
	U _s =82V	I ₂	300A	245A	190A		U _s =82V	I ₂	300A	245A	190A
		U ₂	32V	29.8V	27.6V			U ₂	29V	26.2V	23.5V
	U _i =400V	I _{max} = 23.2A	I _{ref} = 14.7A		U _i =400V	I _{max} = 21.3A	I _{ref} = 13.5A				
IP21S											
MAGMA MEKATRONİK MAKİNE SAN. VE TİC. A.Ş. Organize Sanayi Bölgesi 5.Kısım Manisa-TÜRKİYE											
ID 400MK Pulse SMART					S/N:						
					EN 60974-1 / EN 60974-10 Class A						
	---	50A / 22V - 400A / 36V					---	50A / 16.5V - 400A / 34V			
		X _(40C)	40%	60%	100%			X _(40C)	40%	60%	100%
	U _s =82V	I ₂	400A	327A	253A		U _s =82V	I ₂	400A	327A	253A
		U ₂	36V	33.1V	30.1V			U ₂	34V	30.3V	26.6V
	U _i =400V	I _{max} = 33.5A	I _{ref} = 21.2A		U _i =400V	I _{max} = 32.1A	I _{ref} = 20.3A				
IP21S											
MAGMA MEKATRONİK MAKİNE SAN. VE TİC. A.Ş. Organize Sanayi Bölgesi 5.Kısım Manisa-TÜRKİYE											
ID 400MKW Pulse SMART					S/N:						
					EN 60974-1 / EN 60974-10 Class A						
	---	50A / 22V - 400A / 36V					---	50A / 16.5V - 400A / 34V			
		X _(40C)	40%	60%	100%			X _(40C)	40%	60%	100%
	U _s =82V	I ₂	400A	327A	253A		U _s =82V	I ₂	400A	327A	253A
		U ₂	36V	33.1V	30.1V			U ₂	34V	30.3V	26.6V
	U _i =400V	I _{max} = 33.5A	I _{ref} = 21.2A		U _i =400V	I _{max} = 32.1A	I _{ref} = 20.3A				
IP21S											

	Rectificador de transformador trifásico	X	Ciclo de trabajo
CC / CV	Corriente constante/tensión constante	U ₀	Tensión de funcionamiento inactivo
	Corriente directa	U ₁	Tensión y frecuencia de red
	Soldadura MIG/MAG	U ₂	tensión de fuente nominal
	Entrada de red-3 fase de corriente alterna	I ₁	Corriente nominal extraída de la red
	Adecuado para trabajar en entornos peligrosos	I ₂	Corriente de soldadura nominal
		S ₁	Potencia extraída de la red eléctrica
		IP21S	Clase de Protección

ES



Tal como se define en la norma EN 60974-1 el ciclo de trabajo incluye un período de 10 minutos. Por ejemplo, si se desea operar a 250A en una máquina especificada como %60A / 250A, la máquina puede soldar/cortar sin parar en los primeros 10 minutos del tiempo de 6 minutos (zona 1). No obstante, la máquina debe dejarse inactiva durante los siguientes 4 minutos para que se enfríe (zona 2).

1.4 Especificaciones técnicas

ESPECIFICACIONES TÉCNICAS	UNIDAD	ID 300 MK/MKW PULSE SMART
Voltaje de red (trifásico (3 Hz))	V	400
Potencia extraída de la red eléctrica	kVA	14,7
Corriente de soldadura Rango de ajuste	ADC	50 - 300
Corriente de soldadura nominal (%40)	ADC	300
Abra el circuito de voltaje	VDC	82
Tamaños (Largo ancho alto)	MK	1138 x 528 x 837
	MKW	1180 x 528 x 1137
Peso	MK	86
	MKW	110
Clase de Protección		IP21S

ESPECIFICACIONES TÉCNICAS	UNIDAD	ID 400 MK/MKW PULSE SMART
Voltaje de red (trifásico (3 Hz))	V	400
Potencia extraída de la red eléctrica	kVA	22,1
Corriente de soldadura Rango de ajuste	ADC	50 - 400
Corriente de soldadura nominal (%40)	ADC	400
Abra el circuito de voltaje	VDC	82
Tamaños (Largo ancho alto)	MK	1138 x 528 x 837
	MKW	1180 x 528 x 1137
Peso	MK	86
	MKW	110
Clase de Protección		IP21S

1.5 Accesorios

ACCESORIOS ESTÁNDAR	CANTIDAD	ID 300 MK/MKW PULSE SMART	ID 400 MK/MKW PULSE SMART
Alicates y cable de puesta a tierra	1	7905203505 (35 mm ² - 5 m)	7905305005 (50 mm ² - 5 m)
Manguera de gasolina	1	7907000002	
MIG/MAG CO ₂ Kit de accesorios*	1	-	
MIG/MAG Mix / Argon kit de accesorios*	1	-	
* Debe especificarse al realizar el pedido.			
ACCESORIOS OPCIONALES	CANTIDAD	ID 300 - 400 MK/MKW PULSE SMART	
CO ₂ Calentador (24V)	1	7020009003	
Regulador de gas (CO ₂)	1	7020001005	
Regulador de gas (mezcla)	1	7020001004	
Lava MIG 50W (3 m) Antorcha MIG enfriada por agua	1	7120050003	

INSTALACIÓN

2.1 Consideraciones al recibir

Asegúrese de que hayan llegado todos los materiales pedidos. Si falta algún material o está dañado, comuníquese con el punto de venta de inmediato.

La caja estándar debe contener;

- La máquina principal y cable de red conectado a esa
- Alicates y cable de puesta a tierra
- Manguera de gasolina
- Certificado de garantía
- Manual de usuario
- Alambre de soldadura

En caso de entrega dañada, lleve un registro, tome una fotografía del daño y notifique a la compañía de envío con una fotocopia de la hoja de ruta. En el caso de que el problema persista, póngase en contacto con el servicio de atención al cliente.

Símbolos en el dispositivo y sus significados;



La soldadura es peligrosa. Deben proporcionarse condiciones de trabajo apropiadas y deben tomarse las medidas necesarias. Los expertos son responsables de la máquina y deben proporcionar el equipo requerido. Las personas no encargadas deben mantenerse alejadas del área de soldadura.



Este dispositivo no cumple con IEC 61000-3-12 Si se desea conectarse a la red de baja tensión que se utiliza en el hogar, el instalador que realizará la conexión eléctrica o la persona que utilizará la máquina debe tener conocimiento de la conectividad de la máquina, en este caso es bajo la responsabilidad del usuario.



Se debe prestar atención a los símbolos de seguridad y las notas de advertencia en el dispositivo y en el manual del usuario, y no se deben quitar las etiquetas.



Las parrillas son para la ventilación. Para garantizar un buen enfriamiento, las aberturas no deben cubrirse y no se deben insertar objetos.

2.2 Recomendaciones de instalación y funcionamiento

- Para mover la máquina se deben utilizar anillas de elevación o carretillas elevadoras. No levante la máquina con la bombona de gas. Cuando se transporten manualmente máquinas de soldar portátiles, se debe actuar de acuerdo con las normas de Seguridad y Salud Ocupacional. Se deben tomar las medidas necesarias en el lugar de trabajo para garantizar que el proceso de transporte se lleve a cabo de acuerdo con las condiciones de salud y seguridad en la medida de lo posible. Se deben tomar precauciones de acuerdo con las características del entorno de trabajo y los requisitos del puesto. Coloque la máquina sobre una superficie dura, nivelada y lisa donde no se caiga ni se vuelque.
- En los casos en que la temperatura ambiente supere los 40 °C, opere la máquina a una corriente más baja o a una velocidad de ciclo más alta.
- Evite soldar al aire libre en presencia de viento y lluvia. Si es necesario soldar en tales casos, proteja el área de soldadura y la máquina de soldar con cortinas y toldos.
- Al colocar la máquina, asegúrese de que los materiales como paredes, cortinas y paneles no interfieran con el fácil acceso a los controles y conexiones de la máquina.
- Si suelda en interiores, utilice un sistema de extracción de humos adecuado. Si existe el riesgo de respirar humos y gases de soldadura en interiores, utilice un respirador.
- Cumplase con las tasas de ciclo de operación indicadas en la etiqueta. La superación frecuente de las tasas del ciclo de funcionamiento puede dañar la máquina, lo que puede anular la garantía.
- Se debe utilizar un cable de alimentación adecuado para el valor de seguro especificado.
- Conecte el cable de tierra firmemente lo más cerca posible del área de soldadura. No permita que la corriente de soldadura atraviese elementos que no sean los cables de soldadura, la propia máquina, el cilindro de gas, la cadena, el rodamiento.

- En el momento de colocar el cilindro de gas en la máquina, fíjelo inmediatamente atando la cadena. Si no va a colocar el cilindro de gas en la máquina, fije el cilindro a la pared con una cadena.
- El enchufe eléctrico en la parte posterior de la máquina es para el calentador CO₂. Nunca conecte un dispositivo que no sea un calentador de CO₂ a la toma de CO₂!

2.3 Conexiones de soldadura

2.3.1 Conexión de enchufe eléctrico



Por motivos de seguridad, nunca utilice el cable de alimentación de la máquina sin enchufe.

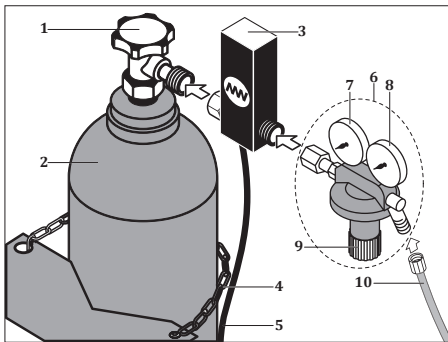
- El enchufe no está conectado al cable de alimentación, ya que puede haber diferentes enchufes en fábricas, obras de construcción y talleres. Un enchufe adecuado para la toma de corriente debe ser conectado por un electricista calificado. Asegúrese de que el cable de tierra marcado con amarillo/verde y \perp esté presente.
- Después de conectar el enchufe al cable, no lo enchufe en esta etapa.

2.3.2 Conexión de las pinzas de tierra a la pieza de trabajo

- Fije firmemente los alicates de conexión a tierra a la pieza de trabajo lo más cerca posible del área a soldar.

2.3.3 Conexiones de gas

- Asegúrese de que el tamaño de la conexión de la manguera del regulador de gas que utilizará sea de 3/8.
- Abra la válvula del cilindro de gas manteniendo la cabeza y la cara alejadas de la salida de la válvula del cilindro y manténgala abierta durante 5 segundos. De esta forma, se expulsarán posibles sedimentos y suciedad.
- Si se va a utilizar un calentador de CO₂, primero conéctelo al cilindro de gas. Una vez conectado el regulador de gas al calentador de CO₂, enchufe el calentador de CO₂ en el zócalo del calentador de CO₂ en la parte posterior de la máquina.
- Si no se utilizará el calentador de CO₂, conecte el regulador de gas al cilindro de gas.
- Conecte un extremo de la manguera del cilindro al regulador de gas y apriete la abrazadera. Conecte el otro extremo a la entrada de gas en la parte trasera de la máquina y apriete la tuerca.
- Abra la válvula del cilindro de gas y verifique que el cilindro esté lleno y que no haya fugas en la ruta del gas. En caso de oír un sonido y/o holer a gas que indica una fuga, inspeccione sus conexiones y elimine la fuga.



- 1- Válvula de cilindro de gas
- 2- Cilindro de gas
- 3- Calentador CO₂
- 4- Cadena
- 5- Cable de energía del calentador de CO₂
- 6- Regulador de Gas
- 7- Manómetro
- 8- Caudalímetro
- 9- Válvula reguladora de caudal
- 10- Manguera de tubo

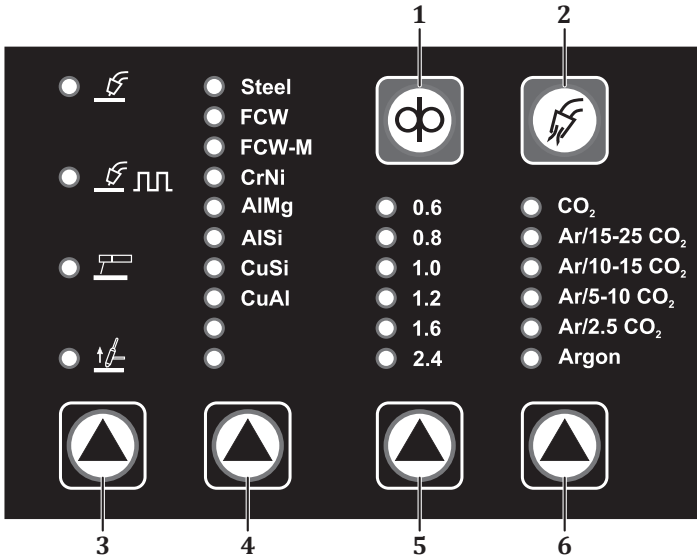
Figura 3 : Cilindro de gas - Calentador - Conexiones del regulador

■ 2.3.4 Unidad de refrigeración por agua

- La unidad de refrigeración por agua es un sistema de circuito cerrado que consta de radiador, ventilador, depósito de refrigerante de la bomba.
- Conecte la manguera de agua fría (azul) del paquete intermedio a la salida de agua fría del sistema de refrigeración por agua y la manguera de agua caliente (roja) a la entrada de agua caliente del sistema de refrigeración por agua.
- Las máquinas de soldar Magmaweld vienen con refrigerante Magmaweld que se produce para brindar el mejor rendimiento. En caso de falta de refrigerante, abra la tapa del depósito y agregue refrigerante Magmaweld adecuado para la temperatura del entorno de trabajo. El refrigerante debe estar dentro de los valores mínimos y máximos que se muestran en el panel frontal de la unidad.
- No se debe agregar otro refrigerante o agua. Otros aditivos líquidos pueden causar reacciones químicas o diferentes problemas.
- Magmaweld no se hace responsable de los riesgos que puedan surgir en caso de diferentes fluidos. Si se agrega un refrigerante diferente o agua al refrigerante Magmaweld, todas las disposiciones de la garantía quedarán anuladas.
- Si se desea utilizar una marca diferente de refrigerante, el interior del tanque de refrigerante debe estar completamente vacío y no debe haber residuos ni líquidos en eso.
- El uso de las unidades de refrigeración por agua no es adecuado para un uso distinto de las máquinas de Magma Mekatronik Makine Sanayi ve Ticaret. A.Ş. Las unidades de refrigeración por agua no pueden funcionar con una fuente de alimentación externa.

INFORMACIÓN DE USO

3.1 Configuraciones en la Bolsa



1-) ALAMBRE LIBRE

Mientras se presiona el botón, el alambre se introduce, la válvula de gas no funciona. Puede utilizar este botón para introducir el alambre en la antorcha.



2-) GAS LIBRE


Al presionar el botón, se proporciona flujo de gas, la alimentación de alambre no funciona. Puede utilizar este botón después del cambio de gas.

3-) SELECCIÓN DEL MÉTODO DE SOLDADURA


Se realiza la selección del método de soldadura. Cada pulsación del botón cambia entre las líneas de la columna correspondiente. Cuando se seleccione el método de soldadura, se encenderá el led correspondiente.

Rango de ajuste


-  • MIG/MAG
-  • Pulso MIG/MAG

 El método de soldadura por pulsos solo está disponible en modelos con pulso. En los modelos sin pulsos, cuando se alcance esta línea, el led no se encenderá y el pulso no se activará.

- MMA

 Debe ajustar sus conexiones y accesorios de acuerdo con el método de soldadura seleccionado. Hay una salida separada para el método MMA delante de la máquina.

- Lift TIG

 Se debe usar un aparato adecuado para la conexión del conector de la antorcha en el método de soldadura Lift TIG. Por medio del aparato especial, será compatible con el euroconector.

4-) SELECCIÓN DEL TIPO DE ALAMBRE

Se selecciona el tipo de alambre. El tipo de alambre a utilizar debe seleccionarse de una manera correcta. Cada pulsación del botón cambia entre las líneas de la columna correspondiente. Cuando se selecciona el tipo de alambre, se encenderá el led correspondiente.

Rango de ajuste

- Steel
- FCW
- FCW-M
- CrNi
- AlMg
- AlSi
- CuSi
- CuAl

5-) SELECCIÓN DEL DIÁMETRO DEL ALAMBRE

Se selecciona el diámetro del alambre. El tipo de alambre a utilizar debe seleccionarse de una manera correcta. Cada pulsación del botón cambia entre las líneas de la columna correspondiente. Una vez seleccionado el diámetro del alambre, se encenderá el led correspondiente.

Rango de ajuste

- 0.6 - 2.4 mm

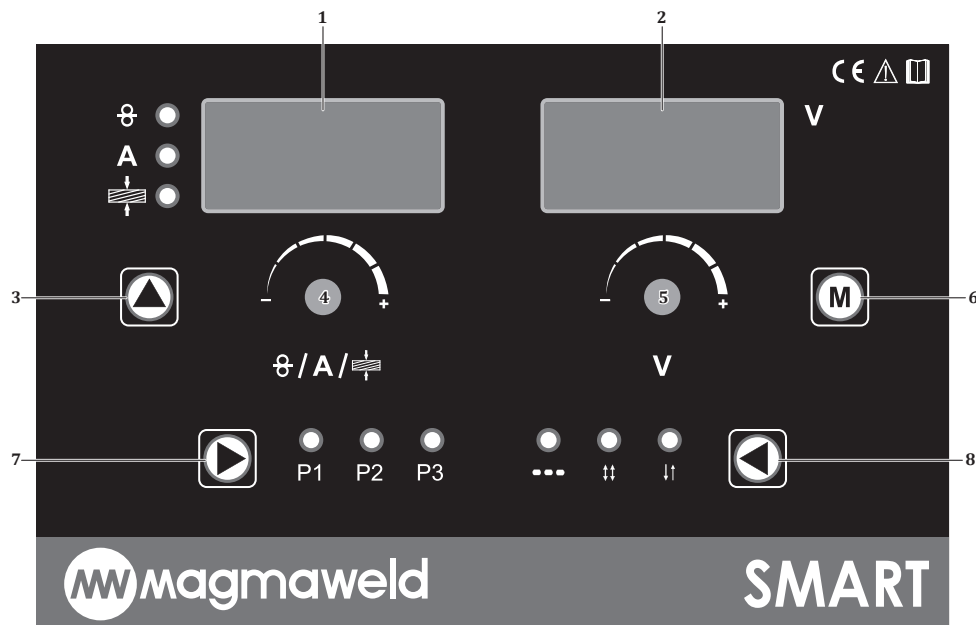
6-) SELECCIÓN DEL TIPO DE GAS

Se realiza la selección del tipo de gas. El tipo de gas a utilizar debe elegirse correctamente. Cada pulsación del botón cambia entre las líneas de la columna correspondiente. Una vez seleccionado el tipo de gas, se encenderá el led correspondiente.

Rango de ajuste

- CO₂
- Ar/15-25 CO₂
- Ar/10-15 CO₂
- Ar/5-10 CO₂
- Ar/2.5 CO₂
- Argón

3.2 Interfaz de usuario



1-) PANTALLA DIGITAL IZQUIERDA

Muestra el contenido del menú, los mensajes de error, la velocidad del alambre y la corriente de soldadura, el valor del espesor en el tiempo de inactividad/carga según el modo seleccionado. Todos los parámetros se ven en la pantalla digital.

	Libre	En carga
Modo sinérgico	Espesor del material	Corriente de soldadura
Modo inteligente	Soldadura	Corriente establecida
Modo Clásico	Velocidad de cable	Corriente de soldadura

2-) PANTALLA DIGITAL DERECHA

Muestra los parámetros de configuración de las funciones y el voltaje de la soldadura en reposo o carga según el modo seleccionado.

	Libre	En carga
Modo sinérgico	Voltaje de ajuste de soldadura	Voltaje de soldadura
Modo inteligente	Voltaje de ajuste de soldadura	Voltaje de soldadura
Modo Clásico	Voltaje de ajuste de soldadura	Voltaje de soldadura

3-) SELECCIÓN DEL MODO DE SOLDADURA

Se selecciona el modo de soldadura. Cada pulsación del botón cambia entre las líneas de la columna correspondiente. Cuando se selecciona el modo de fuente, el led correspondiente se encenderá.

Rango de ajuste



• Modo clásico



• Modo inteligente



• Modo sinérgico

La selección que realiza en la pestaña de método en la bolsa crea una diferenciación en las opciones del modo de soldadura. Cuando se selecciona el método de soldadura MIG/MAG como método de soldadura, los modos son los siguientes:

<p>MODO CLÁSICO Cuando seleccionado, puede ajustar la velocidad del alambre y el voltaje de soldadura dentro de un cierto rango de tolerancia. La velocidad del alambre se ajusta entre 1 y 24 m/min, la tensión de soldadura entre 15 y 40 V.</p>
<p>MODO INTELIGENTE Cuando seleccionado, los parámetros de soldadura como el tipo de alambre, el diámetro del alambre, el tipo de gas deben seleccionarse correctamente. La máquina ajusta automáticamente el voltaje óptimo de acuerdo con la corriente de soldadura seleccionada. Puede ajustar el voltaje girando el botón de ajuste en dirección +/- dentro de un cierto rango de tolerancia.</p>
<p>MODO SINÉRGICO Cuando seleccionado, los parámetros de soldadura como el tipo de alambre, el diámetro del alambre, el tipo de gas y el grosor deben seleccionarse correctamente. La máquina ajusta automáticamente el voltaje óptimo de acuerdo con la corriente de soldadura seleccionada. El usuario puede navegar tanto por la corriente como por el voltaje dentro de un cierto rango de tolerancia. La máquina recalculará automáticamente el voltaje de acuerdo con el valor actual establecido en una cierta tolerancia.</p>

Si quiere ver el valor sugerida originalmente por la máquina y volver a ese valor, bastará con pulsar una vez el botón de ajuste.

Cuando se selecciona el método de soldadura Pulse MIG/MAG como método de soldadura, los modos son los siguientes:

Se activará los modelos "Pulso".

<p>MODO CLÁSICO Cuando seleccionado, puede ajustar la velocidad del alambre y el voltaje de soldadura dentro de un cierto rango de tolerancia. La velocidad del alambre se ajusta entre 1 y 24 m/min, la tensión de soldadura entre 15 y 40 V.</p>
<p>MODO INTELIGENTE Cuando seleccionado, los parámetros de soldadura como el tipo de alambre, el diámetro del alambre, el tipo de gas deben seleccionarse correctamente. La máquina ajusta automáticamente el voltaje óptimo de acuerdo con la corriente de soldadura seleccionada. Puede ajustar el voltaje girando el botón de ajuste en dirección +/- dentro de un cierto rango de tolerancia.</p>

MODO SINÉRGICO

Cuando seleccionado, los parámetros de soldadura como el tipo de alambre, el diámetro del alambre, el tipo de gas y el grosor deben seleccionarse correctamente.

La máquina ajusta automáticamente el voltaje óptimo de acuerdo con la corriente de soldadura seleccionada. El usuario puede navegar tanto por la corriente como por el voltaje dentro de un cierto rango de tolerancia. La máquina recalculará automáticamente el voltaje de acuerdo con el valor actual establecido en una cierta tolerancia.

Cuando se selecciona soldadura MMA y Lift TIG como método de soldadura, no hay selección en la sección de modo.

4-) POTENCIÓMETRO DE AJUSTE

El ajuste se realiza girando el potenciómetro (4) hacia la derecha y hacia la izquierda.

- Cuando se selecciona el método de soldadura MMA, la corriente se ajusta con potenciómetro.
- Cuando se selecciona el método de soldadura Lift TIG, la corriente se ajusta con el potenciómetro.
- Cuando se selecciona el modo clásico, la velocidad del alambre se ajusta con el potenciómetro.
- Cuando se selecciona el modo inteligente, la corriente se ajusta con el potenciómetro, el voltaje se calcula automáticamente contra la corriente ajustada.
- Cuando se selecciona el modo sinérgico, se selecciona el espesor del material a soldar con el potenciómetro el voltaje se calcula automáticamente de acuerdo con el espesor ajustado.
- Cuando presiona el botón y cambia a la sección de funciones, debe presionar el potenciómetro una vez y cambiar a la otra función para grabar en la función correspondiente.

Por ejemplo;

La función de pregas (PrE) sea seleccionada; Si desea guardar este valor después de configurar con el potenciómetro se debe presionar el potenciómetro una vez y cambiar al último gas, que es la otra función (PoS). Si no presiona el potenciómetro y pasa a la siguiente función (PoS), si regresa directamente a la página principal, no se realizará ningún registro.

5-) POTENCIÓMETRO DE AJUSTE

El ajuste se realiza girando el potenciómetro a derecha e izquierda.

- El valor de voltaje se ajusta cuando se selecciona el modo clásico.
- Cuando se selecciona el modo inteligente, el voltaje se calcula automáticamente contra la corriente establecida con el potenciómetro. Puede ajustar el voltaje dentro de un cierto rango de tolerancia girando el potenciómetro hacia la izquierda y hacia la derecha..
- Cuando se selecciona el modo sinérgico, el voltaje se calcula automáticamente de acuerdo con los parámetros determinados. Puede ajustar el voltaje dentro de un cierto rango de tolerancia girando el potenciómetro hacia la izquierda y hacia la derecha.
- Cuando se selecciona el botón, se abrirán las funciones. Se ajustan las funciones relacionadas con el potenciómetro.

6-) SELECCIÓN DE FUNCIONES

Presionando el botón una vez se abrirán las funciones. Para volver a la página principal, simplemente presione el botón nuevamente. Al girar el potenciómetro hacia la derecha y hacia la izquierda, se ajusta la función seleccionada. Cuando desee guardar la configuración seleccionada, es necesario pasar a la siguiente función. Para guardar, basta con presionar una vez el botón, de modo que se guarda el ajuste y se pasa a la siguiente función. Las siguientes funciones están disponibles en el menú, respectivamente:

PrE**Gas delantero**

Se ajusta el tiempo de pregas.

Rango de ajuste

- 0 - 9.9 segundos

Antes de comenzar la soldadura por el tiempo especificado, sale gas y luego comienza la soldadura. Proporciona la protección del grupo de soldado al comienzo de la soldadura.

PoS

Gas final

Se establece el tiempo de gas final.

Rango de ajuste

- 0 - 9.9 segundos

Después del final de la soldadura durante el tiempo especificado, llega gas y termina la soldadura. Proporciona la protección del baño de soldadura al final de la soldadura.

brn

Retroquemado

Se hace el ajuste de retroquemado.

Rango de ajuste

- + 25 - 25

Si el valor que se muestra en la pantalla es "+" en el retroquemado, el alambre se destacará durante el tiempo determinado, si el valor que se muestra en la pantalla es "-", el alambre continuará quemándose durante el tiempo determinado. Cuando finaliza el proceso de soldadura, evita que el alambre de soldadura se pegue a la boquilla de contacto.

Pon

Tiempo de soldadura

Cuando se selecciona el método, se establece el tiempo para soldar.

Rango de ajuste

- 0.2 - 9.9 segundos

PoF

Tiempo en reposo

Cuando se selecciona el método, se establece el tiempo sin soldadura.

Rango de ajuste

- 0.0 - 9.9 segundos

SoS

Arranque suave

Se ajusta el arranque suave.

Rango de ajuste

- Encendido - Apagado

Al comenzar a soldar por primera vez, la velocidad del alambre aumenta gradualmente desde la velocidad baja hasta la establecida. De esta forma se evitan golpes y salpicaduras al inicio de la soldadura.

Crt

Cráter

Se ajuste el función de cráter.

Rango de ajuste

- Encendido - Apagado

Es un proceso de relleno para evitar grietas que se producirán al final de la soldadura. Cuando se activa el cráter, la corriente de soldadura se reduce con cierta linealidad al final de la soldadura y la soldadura termina.

7-) SELECCIÓN DE PROGRAMA

Se utiliza para grabar el trabajo realizado. Hay 3 memorias. Se encenderá el led del programa en el que se realiza la operación.. Para guardar el programa, se debe presionar el botón una vez y cambiar al otro programa.. Para grabar al programa número 3, una vez realizados los ajustes mientras el led número P3 está encendido, pulse una vez el botón para guardar.. Así, se apagarán todos los leds del programa.. Hay un área que permite trabajar sin registro de programa después del programa 3. Mientras está en esta zona, el programa no se graba y los leds de programa se apagan.

Rango de ajuste

- P1 - P2 - P3

8-) SELECCIÓN DEL MODO DE DISPARO

Se utiliza para la selección del modo de disparo. Cada pulsación del botón cambia al otro modo de activación.

Rango de ajuste

- 2 gatillos
- 4 gatillos
- Método



Presione el gatillo



Mantenga presionado el gatillo



Suelte el gatillo

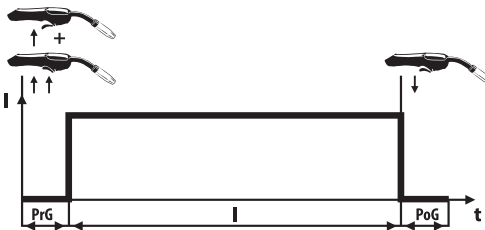
2 MODOS DE GATILLO : Cuando se presiona el gatillo de la antorcha, comienza la soldadura y se mantiene presionado el gatillo hasta que finaliza la soldadura. La soldadura terminará cuando se suelte el gatillo.

Inicio de soldadura;

- Mantenga presionado el gatillo de la antorcha,
- El flujo de gas de protección comienza durante el tiempo de plegas.
- Al final del período de plegas, el motor de alimentación de alambre funciona a baja velocidad.
- La corriente de soldadura aumenta cuando véne la pieza de trabajo.

Terminación de soldadura;

- Suelte el gatillo de la antorcha presionado,
- Se detendrá el motor de alimentación de alambre.
- El arco se apaga después del tiempo de retroquemado establecido.
- Al final del último período de gas, el proceso termina.



PrG : Tiempo de Pre-Gas

I : Corriente de soldadura

PoG : Tiempo posterior al gas

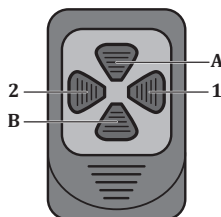
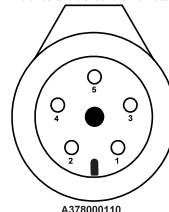
3.3 Control Remoto

Por medio de una antorcha y un conector adecuados, puede cambiar su corriente de soldadura (velocidad del alambre) / voltaje de soldadura a través de la antorcha sin tener que ir a la máquina. Debe conectar el enchufe de la antorcha de control remoto.

A continuación se indican las conexiones de enchufe:

- CONTROLADOR DE ANTORCHA - MARRÓN _____ A378000110 - 1
- CONTROLADOR DE ANTORCHA - NEGRO _____ A378000110 - 2
- CONTROLADOR DE ANTORCHA - ROJO _____ A378000110 - 4
- CONTROLADOR DE ANTORCHA - BLANCO _____ A378000110 - 5
- CONTROLADOR DE ANTORCHA - VERDE _____ A378000110 - 3

Vista frontal del zócalo de la antorcha del control remoto



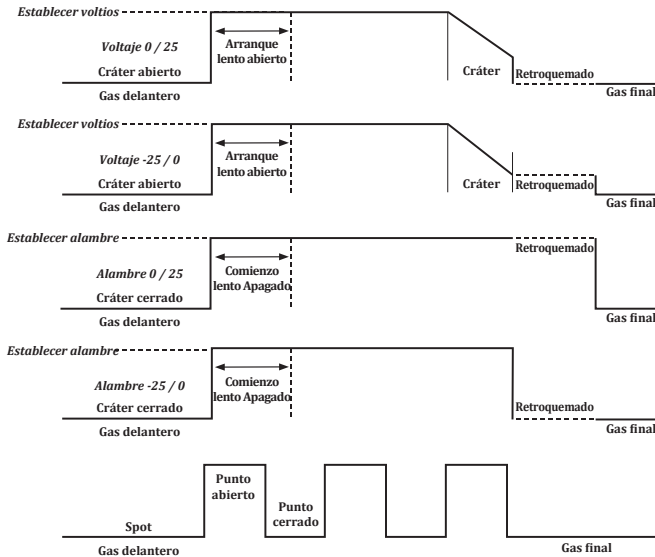
ES

Modo	Tecla	Cargo
Modo clásico	1	Puede reducir la velocidad de su alambre hasta el valor de tolerancia mínimo (-%10). Rango de ajuste: 0.5 m/min
	2	Puede aumentar la velocidad de su hilo hasta el valor máximo de tolerancia (+10%). Rango de ajuste: 0.5 m/min
	A	Puede aumentar el voltaje de soldadura hasta el valor máximo de tolerancia (+10%). Rango de ajuste: 0.5 V
	B	Puede reducir el voltaje de soldadura hasta el valor de tolerancia mínimo (-10%). Rango de ajuste: 0.5 V
Modo inteligente	1	Puede reducir su corriente de soldadura hasta el valor mínimo de tolerancia (-10%). Rango de ajuste: 5 A
	2	Puede aumentar su corriente de soldadura hasta el valor máximo de tolerancia (+10%). Rango de ajuste: 5 A
	A	Puede aumentar el voltaje de su soldadura hasta el valor máximo de tolerancia (+10%). Rango de ajuste: 0.5 V
	B	Puede reducir el voltaje de soldadura hasta el valor mínimo de tolerancia (-10%). Rango de ajuste: 0.5 V
Modo sinérgico	1	Puede reducir su corriente de soldadura hasta el valor mínimo de tolerancia (-10%). Rango de ajuste: 5 A
	2	Puede aumentar su corriente de soldadura hasta el valor máximo de tolerancia (+10%). Rango de ajuste: 5 A
	A	Puede aumentar el voltaje de soldadura hasta el valor máximo de tolerancia (+10%). Rango de ajuste: 0.5 V
	B	Puede reducir el voltaje de soldadura hasta el valor mínimo de tolerancia (-10%). Rango de ajuste: 0.5 V

3.4 Ajuste de longitud de arco (ArC)

Cuando se presiona el botón de ajuste de voltaje durante 3 segundos, la función de longitud de arco estará activa. El ajuste de fábrica es 0,0. Puede cambiar la configuración de la longitud del arco en el rango de +7/-7 girando el botón existente hacia la izquierda y hacia la derecha. En el cambio realizado hacia +7, el contacto del hilo se acerca a la boquilla y la longitud del arco se alarga. En el cambio realizado hacia -7, el alambre se acerca al metal de soldadura y la longitud del arco se acorta. Después de realizar la configuración deseada, el botón actual se presiona una vez para salir de la configuración.

3.5 Curva MIG



Parámetro	Rango de valores	Ajuste de fábrica	2- Ubicación MIG	4- Ubicación MIG
Gas delantero	0,0 - 9,9 seg	0,1 seg	✓	✓
Gas final	0,0 - 9,9 seg	0,1 seg	✓	✓
Retroquemado	25 - 0 - 25	0 paso	✓	✓
Tiempo de soldadura	0,2 - 9,9 seg	0,2 seg	✓	✓
Tiempo en reposo	0,0 - 9,9 seg	0,0 seg	✓	✓
Diámetro del alambre	0,6 - 2,4 mm	1,0 mm	✓	✓
Grosor	0,6 - 20,0 mm	1,0 mm	✓	✓
Tipo de gas	CO ₂ , Ar/5-10 CO ₂ , Ar/15-25 CO ₂ , Ar/2.5 CO ₂ , Ar/10-15 CO ₂ , Argón			
Tipo de alambre	Acero, AlMg, FCW, AlSi, FCW-M, CuSi, CrNi, CuAl			
Cráter	Activo / Pasivo	Pasivo	✓	✓
Modo	Sinérgico / Inteligente / Clásico			
Gatillo	Método / 2 / 4	2	✓	✓
El método	MIG / MAG · MMA LIFT TIG	MIG / MAG		

3.6 Conexión a la red eléctrica



Compruebe la tensión de red antes de conectar la máquina a la red eléctrica.

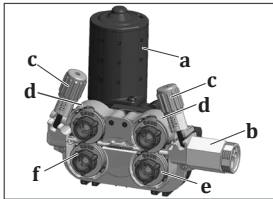


Asegúrese de que el interruptor de encendido/apagado esté en la posición "0" cuando lo conecte.

- Arranque la máquina con el interruptor de encendido/apagado.
- Después de oír el ruido del ventilador y ver que se enciende la luz de alimentación, apague la máquina poniendo el interruptor de encendido/apagado en la posición de apagado.

3.7 Selección y reemplazo del rodillo alimentador de alambre

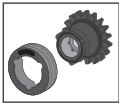
- Cuando abre la cubierta de la sección del alimentador de alambre, puede hacer ajustes de gas libre y alambre con el botón lateral. En la sección de alimentación de alambre, verá el sistema de alimentación estructurado por codificador de 4 rodillos. Por medio de la estructura del sistema 4 WD, el alambre es impulsado mecánicamente por la fuerza aplicada a los 4 rodillos. La velocidad de alimentación del alambre no cambia incluso en condiciones negativas como el calentamiento del motor y el aumento de la fricción. La estabilidad del arco es impecable. Tan pronto como la máquina esté energizada, el LED interior se activará, brindando comodidad al cambiar los rodillos.



- a- Motor
- b- Euroconector
- c- Tornillo de ajuste de presión
- d- Rodillos de alimentación de alambre superior
- e- Rodillos de alimentación de alambre inferior
- f- Mecanismo de bloqueo deslizante de alambre

Figura 4 : Sistema de alimentación de alambre

- Use rodillos de alimentación de alambre adecuados para el material y el diámetro del alambre de soldadura que utilizará. Utilice rodillos de alimentación de alambre con ranura en V para acero y acero inoxidable, ranura en V moleteada para alambre tubular y ranura en U para aluminio.
- Para reemplazar los rodillos de alimentación de alambre, tire del tornillo de ajuste de presión hacia usted y retire las cubiertas de los rodillos superiores, luego retire los rodillos existentes.



- Antes de que pueda quitar los rodillos, debe desbloquearlos. Para desbloquear, se debe girar en la dirección opuesta al bloqueo, los espacios dentro del rodillo del alimentador de alambre deben superponerse con las protuberancias en el cuerpo del mismo.



- Ambos lados de los rodillos están marcados de acuerdo con el diámetro del alambre relacionado.
- Coloque los rodillos en la brida de modo que el valor del diámetro del alambre esté en el lado que mira hacia usted.
- Coloque el rodillo de modo que los espacios dentro del rodillo del alimentador de alambre se superpongan con las protuberancias en el cuerpo. Asegúrese de que se escuche el sonido de bloqueo y de que los rodillos de alimentación de alambre estén en su lugar girándolos hacia la derecha o hacia la izquierda. Luego baje los rodillos de presión y levante la palanca del rodillo de presión para bloquearla en el rodillo de presión.

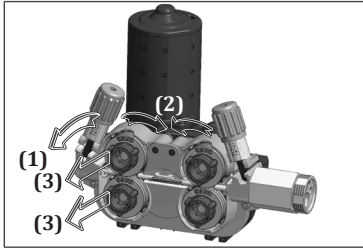


Figura 5 : Extracción de los rodillos de alimentación de alambre

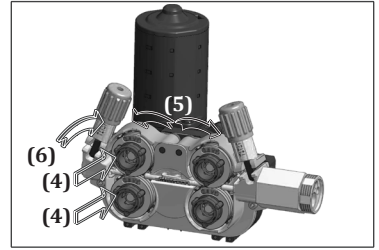
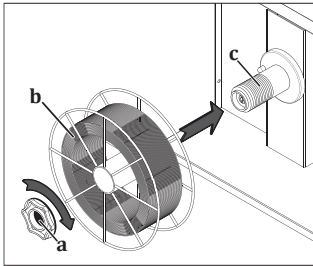


Figura 6 : Colocación de los rodillos de alimentación de alambre

3.8 Inserción del rodillo de alambre y manejo del alambre

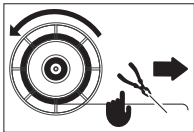
- Desatornille el tornillo del sistema de transporte de alambre. Ingrese la bobina de alambre de soldadura en el husillo del sistema de transporte de alambre y vuelva a apretar el tornillo.



Apretar demasiado el tornillo del sistema de transporte de alambre impide que el alambre se alimente y puede causar fallas de funcionamiento. Apretar poco el tornillo puede causar que la cesta de alambre se vacíe y se enrede después de un tiempo cuando se detiene la alimentación de alambre. Por lo tanto, apriete el tornillo ni demasiado apretado ni demasiado flojo.

Figura 7 : Inserción del rodillo de alambre

- Tire de la palanca de presión del rodillo de alimentación de hilo y bájela, es decir, vacíe el rodillo de presión.



- Retire el alambre de soldadura de donde está sujeta la bobina de alambre y corte el extremo con un cortador lateral sin dejar.



Si se pierde el extremo del cable, el alambre puede saltar como un resorte y dañarlo a usted y a su entorno.

- Sin soltar el hilo, páselo por la guía de entrada hasta los rodillos, y sobre los rodillos hasta la antorcha.

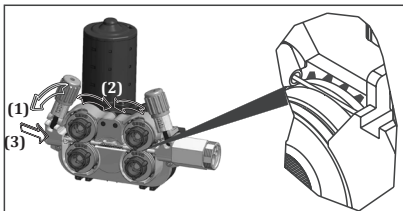
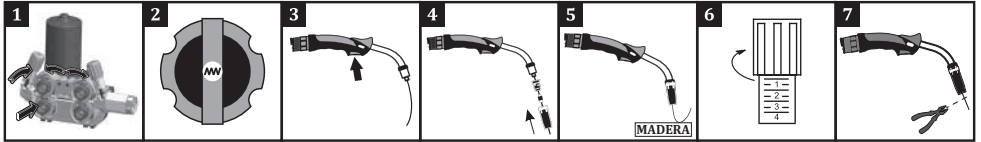


Figura 8 : Conducción del alambre al rodillo

- Presione los rodillos de presión y levante la palanca de presión. **1**
- Arranque la máquina girando el interruptor de encendido/apagado a la posición "1". **2**
- Presione el gatillo hasta que el hilo salga por la punta del soplete, mientras tanto observe que la bobina de hilo gire libremente, verifique si hay aflojamiento en el bobinado presionando y soltando el gatillo unas cuantas veces. **3**
Si se observa aflojamiento y/o rebobinado, apriete un poco más el tornillo del sistema de transporte de alambre.
- Cuando el alambre salga de la punta de la antorcha, vuelva a colocar la boquilla y la punta de contacto en la antorcha. **4**
- Conduzca el alambre sobre una tabla **5** para ajustar la tensión del alambre **6** y corte el extremo del mismo. **7**



Si el tornillo de ajuste de presión se aprieta demasiado, se deja flojo o si se usa el rodillo de alimentación de alambre incorrecto, ocurrirán los siguientes efectos.

A: Presión de alambre y tamaño de canal adecuados.

B: Como resultado de la palanca demasiado presionada, se deforma el alambre.

C: Como resultado de la palanca demasiado presionada, se producen distorsiones en la superficie del rodillo.

D: La longitud del canal del rodillo es pequeña para el alambre utilizado. Hay deformaciones en el alambre.

E: La longitud del canal del rodillo es grande para el alambre utilizado. El alambre no se puede enviar a la zona de soldadura.

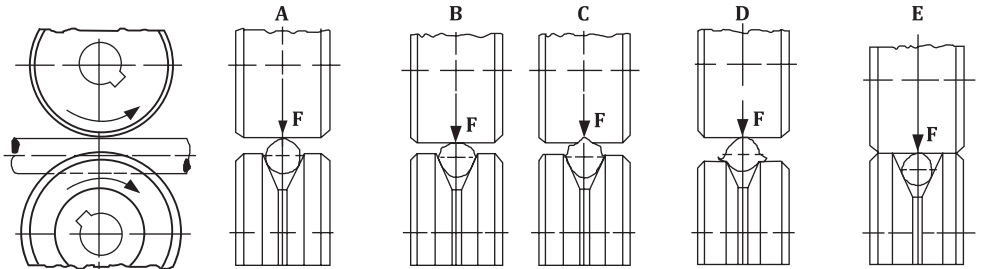


Figura 9 : Errores de configuración de impresión y selección de rodillo

3.9 Ajuste del flujo de gas



Realice el ajuste de gas y la prueba de gas bajando la palanca del rodillo de alimentación de alambre!

- Ajuste el flujo de gas con la válvula de ajuste de flujo.
- El caudal práctico de gas (CO₂, Ar, mezcla) es 10 veces el diámetro del alambre.
Por ejemplo, si el diámetro del alambre es de 1,2 mm, el caudal de gas se puede ajustar como 10 x 1,2 = 12 lt/min.
- Puede consultar la tabla adyacente para un ajuste de flujo más preciso. Después de ajustar el flujo de gas, levante la palanca del rodillo y cierre la cubierta del alimentador de alambre.

		Alambre de núcleo de metal y acero no aleado	Alambre relleno	Acero inoxidable	Aluminio
Diámetro del alambre (mm)	0.8	8 lt/min.	7 lt/min.	8 lt/min.	8 lt/min.
	0.9	9 lt/min.	8 lt/min.	9 lt/min.	9 lt/min.
	1.0	10 lt/min.	9 lt/min.	10 lt/min.	10 lt/min.
	1.2	12 lt/min.	11 lt/min.	12 lt/min.	12 lt/min.

3.10 Características de la máquina

Estructura CC/CV

- Permite soldadura MIG, MMA y TIG.

Memoria

- Hay 3 memorias de trabajo que permiten el registro del trabajo realizado.

Variedad de funciones de uso

- Proporciona una operación fácil de usar con modos MIG / MAG clásicos, inteligentes y sinérgicos.

Arranque suave

- Previene la formación de arranques golpeados y espasmódicos al aumentar gradualmente la velocidad del alambre.

Rendimiento inteligente

- Supervisa y analiza continuamente los parámetros de soldadura de la máquina por medio de su control de rendimiento inteligente.
- En casos obligatorios, la máquina se autoprotege para prolongar su vida útil y para evitarse de mal funcionamiento.
- Esta protección se indica en el panel de la máquina mediante un led de aviso térmico.
- Al final del período de protección de 2 minutos, la máquina se vuelve a activar.

Ventilador inteligente

- La temperatura interna de la máquina se mide de una manera continua. La velocidad del ventilador de refrigeración aumenta o disminuye según la temperatura medida. Por debajo de un cierto grado de temperatura, la fase se detiene por completo. De este modo, se reduce la cantidad de polvo que entra en la máquina. Además de prolongar la vida útil de la máquina, también se ahorra energía. Proporciona rendimiento de enfriamiento al hacer funcionar el ventilador durante la soldadura.

Control de corriente/voltaje mediante antorcha

- Por medio de conexión de control, puede cambiar el corriente/voltaje de soldadura a través de la antorcha sin tener que ir a la máquina, con una antorcha con las características adecuadas.

Compatibilidad con robots

- Proporciona facilidad de uso con su estructura compatible con robots.

Compatibilidad con Magnet

- Gracias a la estructura elaborada para Magnet, la información de soldadura y medios se almacena en tiempo real. Si bien algunos valores se pueden leer desde el panel LCD en la parte frontal de la máquina, otra información (Efectividad total del equipo OEE, Parámetros de soldadura-WP, Calidad, etc.) se almacena y monitorea en la plataforma Magnet. (Opcional)

Trabajar con generadores

- Adecuado a trabajar con generadores. Debe determinarse el kVA de trabajo según las especificaciones técnicas.

Protección de fase

- Está protegido contra falta de fase o fase incorrecta.

Protección de voltaje

- Si la tensión de red es demasiado alta o baja, la máquina se protege automáticamente dando un código de falla en la pantalla. De esta manera, no se dañan los componentes de la máquina y se garantiza que la vida útil de la máquina sea prolongada. Una vez que las condiciones ambientales vuelven a la normalidad, también se activan las funciones de la máquina.



MANTENIMIENTO Y FALLAS

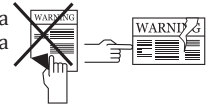
- El mantenimiento y las reparaciones de la máquina deben ser realizados por personas competentes. La compañía no asume responsabilidad de los accidentes que puedan ocurrir como consecuencia de intervenciones de personas no autorizadas.
- Puede obtener las piezas que se utilizarán durante la reparación de nuestros servicios autorizados. El uso de repuestos originales prolongará la vida útil de su máquina y evitará pérdidas de rendimiento.
- Consulte siempre al fabricante o a un centro de servicio autorizado especificado por el fabricante.
- Cualquier interposición no autorizada por el fabricante queda fuera de la garantía.
- Asegúrese de cumplir con las normas de seguridad vigentes durante las operaciones de mantenimiento y reparación.
- Antes de realizar cualquier acción en la máquina para su reparación, desconecte el enchufe de red de la máquina y espere 10 segundos para que se descarguen los condensadores.

4.1 Mantenimiento



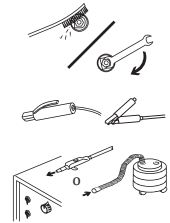
Cada 3 meses

- No retire las etiquetas de advertencia del dispositivo. Reemplace las etiquetas gastadas o rotas por otras nuevas. Puede obtener las etiquetas en el servicio autorizado.
- Revise la antorcha, las pinzas y los cables. Preste atención a las conexiones y la durabilidad de las partes. Reemplace las piezas dañadas o defectuosas. Nunca agregue/repare cables.
- Asegúrese de que haya suficiente espacio para la ventilación.
- Antes de comenzar a soldar, verifique el flujo de gas de la punta de la antorcha con un medidor de flujo. Si el flujo de gas es alto o bajo, llévelo al nivel adecuado para la soldadura.



Cada 6 meses

- Limpie y apriete las piezas de conexión como pernos y tuercas.
- Compruebe los cables de la pinza de electrodos y de la pinza de tierra.
- Abra las tapas laterales de la máquina y límpiela con aire seco a baja presión. No aplique aire comprimido desde una distancia cercana a los componentes electrónicos.
- Refresque con agua limpia que no sea dura periódicamente el agua del depósito de la unidad de refrigeración por agua y protéjala con anticongelante.



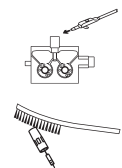
NOTA: Los períodos mencionados son los períodos máximos que deben aplicarse si su dispositivo no presenta ningún problema. Puede repetir los procesos mencionados anteriormente con mayor frecuencia, dependiendo de la intensidad y la contaminación de su entorno de trabajo.



Nunca suelde con las cubiertas de la soldadura abiertas.

4.2 Mantenimiento no periódico

- El mecanismo de alimentación de alambre debe mantenerse limpio y las superficies de los rodillos nunca deben engrasarse.
- Limpie los residuos acumulados en el mecanismo con la ayuda de aire seco en cada cambio de hilo de soldadura.
- Los consumibles de la antorcha deben limpiarse regularmente. Si es necesario, debe ser reemplazado. Asegúrese de que estos materiales sean productos originales para uso a largo plazo.



4.3 Reparación de averías

Las siguientes tablas contienen las posibles fallas y sus soluciones.

Falla	Causa	Resolución
La maquina no funciona	• Tarjeta electrónica defectuosa	• Póngase en contacto con el servicio autorizado
	• La conexión eléctrica de la máquina es problemática	• Asegúrese de que la máquina esté conectada a la electricidad
	• Conexiones de red incorrectas	• Compruebe que las conexiones a la red son correctas
	• Fusible de red defectuoso o cable de red dañado	• Compruebe los fusibles de alimentación de red, el cable de red y el enchufe
	• El interruptor de encendido/apagado no funciona correctamente	• Compruebe el interruptor de encendido/apagado
El motor del alimentador de alambre no funciona	• Tarjeta electrónica / motor del alimentador de alambre defectuoso	• Póngase en contacto con el servicio autorizado
El motor de alimentación de alambre funciona, pero el alambre no avanza	• Los rodillos de alimentación de alambre no se seleccionan según el diámetro del alambre	• Seleccione el rodillo alimentador de alambre adecuado
	• Muy poca presión en los rodillos de alimentación de alambre	• Ajuste correctamente el rodillo de presión
No suelda bien	• El tamaño de la boquilla de contacto está mal seleccionado o dañado	• Reemplace la boquilla de contacto
	• Los rodillos de presión están bajos	• Ajuste correctamente el rodillo de presión
	• Demasiado o muy poco gas de protección	• Verifique el gas utilizado y su ajuste. Si no se puede realizar el ajuste de gas, consulte con el servicio autorizado
	• Los parámetros de soldadura no están seleccionados correctamente	• Cambie la configuración de voltaje y la velocidad del cable
La corriente de soldadura no es estable y/o no está regulada	• Los alicates de conexión a tierra de la máquina no están conectados a la pieza de trabajo	• Asegúrese de que la máquina esté conectada a la parte de los alicates de puesta a tierra
	• Cables y puntos de conexiones dañados	• Asegúrese de que los cables sean resistentes y que los puntos de conexión no estén corroídos
	• Parámetro y proceso incorrectos	• Asegúrese de que la selección de parámetros y procesos sea correcta
	• Los valores de polo y amperaje del electrodo incorrectos (en soldadura MMA)	• Verifique el polo al que se debe conectar el electrodo y el valor de corriente a ajustar en la máquina
	• Extremo de tungsteno desgastado (en soldadura TIG)	• Asegúrese de que el extremo de tungsteno esté limpia
	• Antorcha dañada (en soldadura MIG, TIG)	• Asegúrese de que la antorcha de soldadura sea sólida
	• Fallo de la placa electrónica	• Póngase en contacto con el servicio autorizado
El ventilador no funciona	• Falla de placa electrónica/ventilador	• Póngase en contacto con el servicio autorizado

Falla	Causa	Resolución
El valor 0000 se muestra en la pantalla	<ul style="list-style-type: none"> Los parámetros de soldadura no están seleccionados correctamente 	<ul style="list-style-type: none"> Todos los parámetros (Tipo de cable, tipo de gas, etc.) deben seleccionarse de acuerdo con su método de soldadura

4.4 Códigos de error

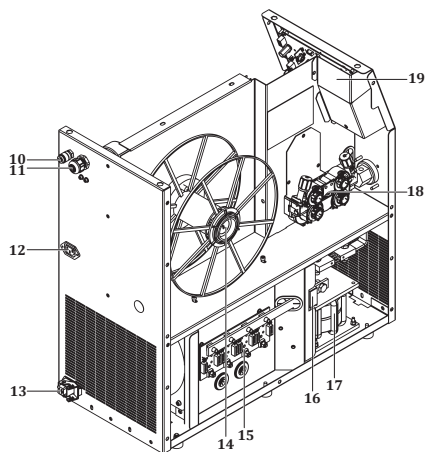
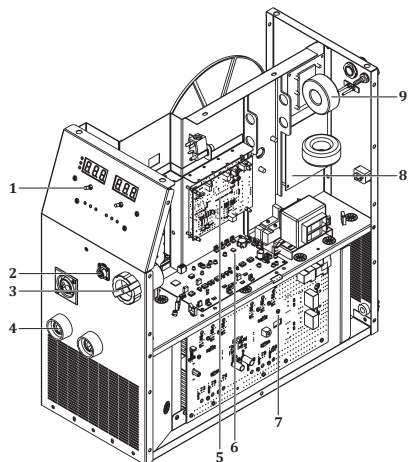
Código de Error	Error	Causa	Resolución
E01	Error de comunicación	<ul style="list-style-type: none"> Puede haber problemas en diferentes puntos de la máquina 	<ul style="list-style-type: none"> Póngase en contacto con el servicio autorizado
E02	Protección térmica	<ul style="list-style-type: none"> Es posible que se haya excedido el tiempo de actividad de su máquina 	<ul style="list-style-type: none"> Deje que la máquina se enfríe esperando un momento. Si la falla desaparece, intente usarlo en valores de amperaje más bajos
		<ul style="list-style-type: none"> Es posible que el ventilador no esté funcionando 	<ul style="list-style-type: none"> Compruebe visualmente si el ventilador funciona o no. Si no funciona, contacte con el servicio autorizado
		<ul style="list-style-type: none"> La parte delantera de los canales de entrada y salida de aire puede estar bloqueada 	<ul style="list-style-type: none"> Abra los conductos de aire
		<ul style="list-style-type: none"> El ambiente de trabajo de la máquina puede ser extremadamente caluroso o sofocante 	<ul style="list-style-type: none"> Asegúrese de que la máquina esté colocada en un área donde pueda trabajar más cómodamente
E03	Error de sobrecorriente	<ul style="list-style-type: none"> Es posible que la máquina haya consumido demasiada corriente 	<ul style="list-style-type: none"> Póngase en contacto con el servicio autorizado
		<ul style="list-style-type: none"> Puede haber problemas en diferentes puntos de la máquina 	<ul style="list-style-type: none"> Póngase en contacto con el servicio autorizado
E04	Tensión de red baja	<ul style="list-style-type: none"> Es posible que haya caído la tensión de red 	<ul style="list-style-type: none"> Comprobar los cables de conexión a la red y la tensión. Asegúrese de que se proporcione la entrada de voltaje correcta. Si la tensión de red es normal, contactar con el servicio autorizado
E05	Error de lectura del sensor de temperatura	<ul style="list-style-type: none"> El sensor de temperatura puede estar roto o puede haber un problema en su conexión eléctrica 	<ul style="list-style-type: none"> Póngase en contacto con el servicio autorizado
E06	Tensión de red alta	<ul style="list-style-type: none"> La tensión de red puede haber aumentado 	<ul style="list-style-type: none"> Comprobar los cables de conexión a la red y la tensión. Asegúrese de que se proporcione la entrada de voltaje correcta. Si la tensión de red es normal, contactar con el servicio autorizado

ES

ANEXOS

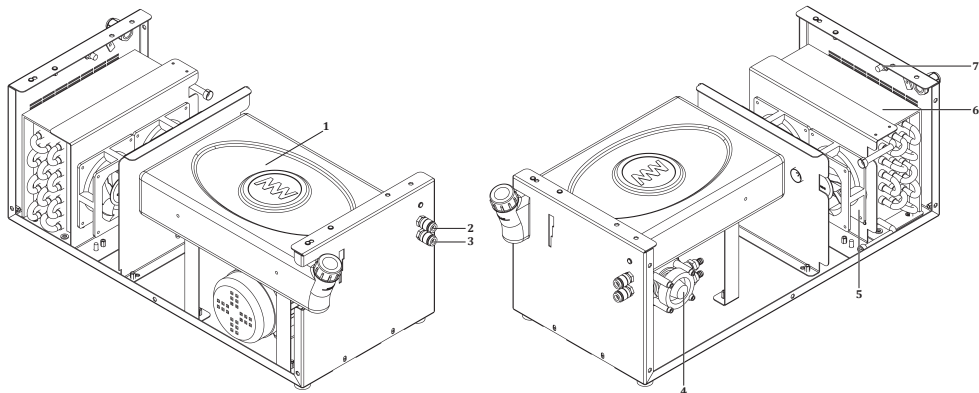
5.1 Listas de repuestos

La fuente de alimentación Lista de piezas de repuesto



NÚMERO	DESCRIPCIÓN	CÓDIGO MATERIAL
1	Botón de potencia	A229500001
2	Conector	A378000103
3	Interruptor de encendido	A308900004
4	Zócalo de soldadura	A377900106
5	Placa Electrónica E121A-2	K405000230
6	Placa Electrónica E206A-CNT3P	K405000324
7	Placa Electrónica E206A-1	K405000253
8	Placa Electrónica E202A-FLT4	K405000254
9	Filtro RS de placa electrónica	K405000262
10	Glándula de válvula de gas	A256000609
11	Unión de plástico	A376400016
12	Conector de alimentación	A378000050
13	Conector	A378002002
14	Sistema de rodillos de transporte de alambre 3-Link	A229900003
15	Placa Electrónica E202A-4A	K405000255
16	Placa Electrónica E121A-2	K405000230
17	Bobina de choque	A421050002
18	Sistema de alimentación de alambre	K309002213
19	Placa Electrónica E309A-3A	K405000312
	Placa Electrónica E309A-3B	K405000313

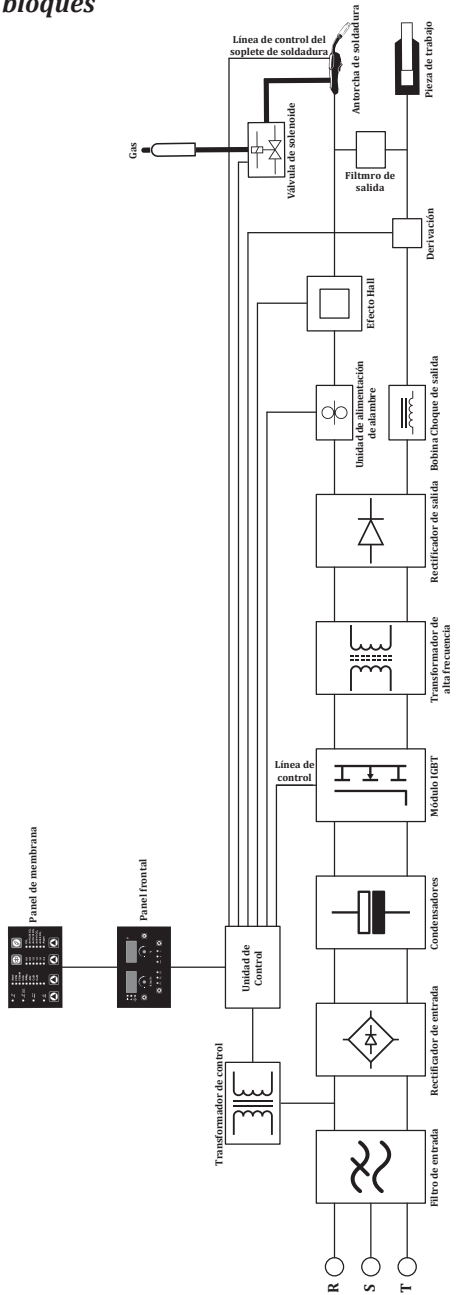
Lista de piezas de repuesto de la unidad de refrigeración por agua



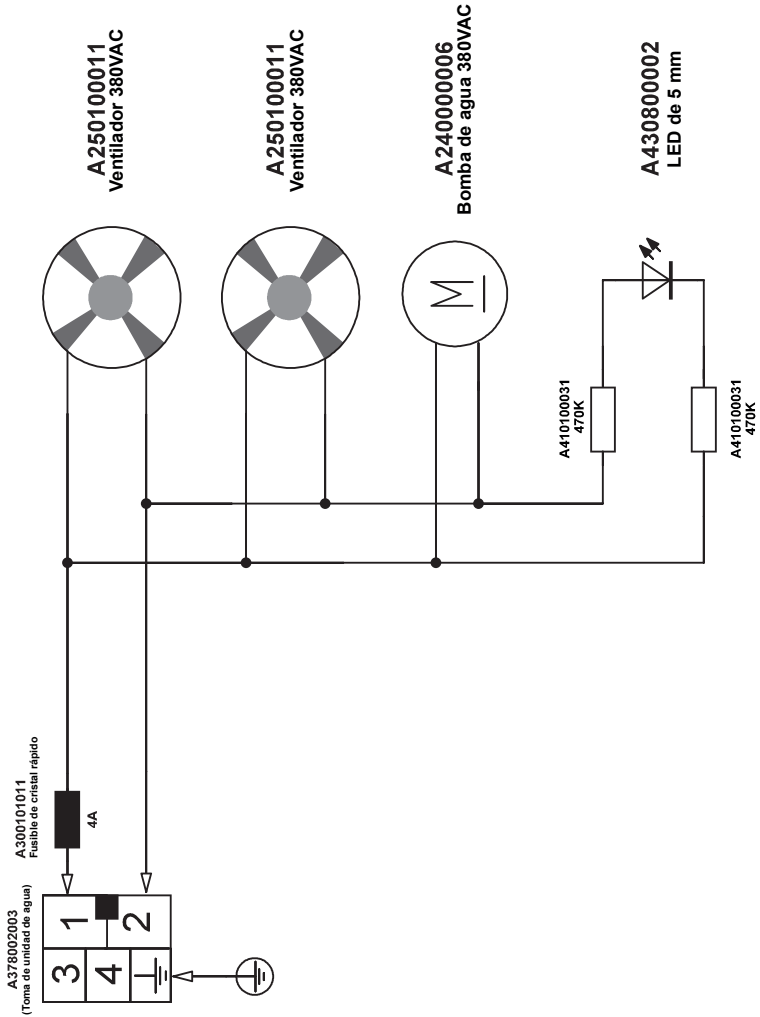
ES

NÚMERO	DESCRIPCIÓN	CÓDIGO MATERIAL
1	Depósito de agua	A249000005
2	Acoplamiento Rápido Rojo	A245700003
3	Acoplamiento Rápido Azul	A245700002
4	Bomba de agua	A240000006
5	Ventilador	A250001126
6	Radiador	A260000010
7	Portafusibles de vidrio	A300190001
8	Fusible de vidrio rápido	A300101011

5.2 Diagrama de bloques



5.3 Diagrama del circuito de la unidad de agua



ES

PRODUCTO**Modelo****Número de serie****MANUFACTURERO****Título**

MAGMA MEKATRONİK MAKİNE SANAYİ VE TİCARET A.Ş.

Dirección

Organize Sanayi Bölgesi 5. Kısım MANİSA

Teléfono / E-mail

+90 236 226 27 00 / info@magmaweld.com

INFORMACIÓN DE COMPRA**Título****Ciudad / País****Teléfono / E-mail****Fecha y número de factura****INFORMACIÓN DEL CLIENTE****Título****Ciudad / País****Teléfono / E-mail****Nombre y Apellidos del Destinatario****INFORMACIÓN DE SERVICIO (si aplica)****Título****Nombre y Apellido del Técnico****Fecha de puesta en servicio**
(Fecha de inicio de la garantía)

Para conocer las condiciones de la garantía, visite nuestro sitio web
www.magmaweld.com/warranty-terms/wt.

 **INHOUD**

VEILIGHEIDSVOORSCHRIFTEN	246
1 TECHNISCHE GEGEVENS	
1.1 Algemene verklaringen	252
1.2 Onderdelen van het apparaat	252
1.3 Productlabel	254
1.4 Technische specificaties	256
1.5 Accessoires	256
2 INSTALLATIE-INFORMATIE	
2.1 Aandachtspunten bij ontvangst	257
2.2 Aanbevelingen voor installatie en gebruik	257
2.3 Lasverbindingen	258
2.3.1 Elektrische aansluiting	258
2.3.2 De aardtang aansluiten op het werkstuk	258
2.3.3 Gasaansluitingen	258
2.3.4 Waterkoelingseenheid (MW-modellen)	259
3 GEBRUIKSAANWIJZIGEN	
3.1 Gebruikersinterface	260
3.2 Menustructuur	262
3.3 Afstandsbediening	268
3.4 Booglengte aanpassen (ArC)	269
3.5 MIG-curve	269
3.6 Op het net aansluiten	270
3.7 Keuze en vervanging van draadaandrijfrollen	270
3.8 De draadspoel positioneren en de draad aandrijven	271
3.9 Gasstroomsnelheid aanpassen	272
3.10 Machinespecificaties	273
4 ONDERHOUDS- EN STORINGSINFORMATIE	
4.1 Onderhoud	274
4.2 Problemen oplossen	275
4.3 Foutcodes	276
5 BIJLAGEN	
5.1 Lijsten met reserveonderdelen	277
5.2 Blokdiagram	279
5.3 Schakelschema waterunit	280

✓ VEILIGHEIDSVOORSCHRIFTEN

Volg alle veiligheidsvoorschriften in de handleiding!

Aannames voor de beveiligingsinformatie



- De veiligheidssymbolen in de handleiding worden gebruikt om potentiële gevaren te identificeren.
- Telkens wanneer er een veiligheidssymbool in deze handleiding voorkomt, moet worden erkend dat er een risico op letsel bestaat en moet de volgende uitleg aandachtig worden gelezen om mogelijke gevaren te voorkomen.
- De eigenaar van het apparaat is verantwoordelijk voor het voorkomen dat onbevoegden toegang krijgen tot de apparatuur.
- Personen die het apparaat gebruiken, moeten ervaren of volledig getraind zijn in lassen/snijden en moeten de bedieningshandleiding lezen voordat zij aan het werk gaan en moeten de veiligheidsaanschuivingen in acht nemen.

Toelichting op de veiligheidssymbolen



LET OP

Duidt op een potentieel gevaarlijke situatie die letsel of schade kan veroorzaken. Het niet nemen van voorzorgsmaatregelen kan leiden tot persoonlijk letsel of verlies/beschadiging van materiaal.



BELANGRIJK

Verwijst naar gebruiksinstructies en waarschuwingen.



GEVAAR

Geeft aan dat er ernstig gevaar dreigt. Het niet opvolgen van deze instructie kan tot de dood of ernstig letsel leiden.

Begrijpen van de veiligheidswaarschuwingen



- Lees de gebruiksaanwijzing, labels en veiligheidsaanschuwingen op het apparaat zorgvuldig door.
- Controleer of de waarschuwingslabels op het apparaat in goede staat zijn. Vervang ontbrekende of beschadigde labels.
- Leer hoe u het apparaat bedient en hoe u de controles correct uitvoert.
- Gebruik uw apparaat in een geschikte werkomgeving.
- Ongepaste wijzigingen aan uw apparaat kunnen de veilige werking en de levensduur van uw apparaat negatief beïnvloeden.
- De fabrikant is niet verantwoordelijk voor de gevolgen van het gebruik van het apparaat anders dan de aangegeven omstandigheden.

Elektrische schokken kunnen levensgevaarlijk zijn



Zorg ervoor dat de installatieprocedures voldoen aan de nationale elektrische normen en andere relevante voorschriften. Zorg ervoor dat het apparaat door deskundige personen wordt geïnstalleerd.

- Draag droge en stevige geïsoleerde handschoenen en een werkschort. Gebruik nooit natte of beschadigde handschoenen en werkschorten.
- Draag vlambestendige beschermende kleding tegen het risico op brandwonden. De kleding van de gebruiker moet bescherming bieden tegen vonken, spatten en boogstraling.
- Werk nooit alleen. Zorg ervoor dat er in uw werkomgeving iemand is aan wie u een gevaar kunt melden.
- Raak de elektrode niet aan met blote handen. Zorg dat de elektrodeklem of elektrode niet in contact komt met personen of geaarde voorwerpen.
- Raak nooit onderdelen onder spanning aan.
- Raak de elektrode nooit aan als u in contact bent met de elektrode die verbonden is met het werkoppervlak, de vloer of een andere machine.
- Bescherm uzelf tegen mogelijke elektrische schokken door uzelf te isoleren van het werkoppervlak en de vloer. Gebruik onbrandbaar, elektrisch isolerend, droog en onbeschadigd isolatiemateriaal dat groot genoeg is om te voorkomen dat de operator in contact komt met het werkoppervlak.
- Sluit niet meer dan één elektrode aan op de elektrodetang.
- Sluit de aardtang zo dicht mogelijk bij het werkstuk of de werktafel aan, zodat er een goed metaal-op-metaalcontact is.
- Controleer de toorts voordat u de machine start. Zorg ervoor dat de zaklamp en de kabels in goede staat zijn. Vervang een beschadigde, versleten toorts altijd.

- Raak de elektrodetang die op 2 verschillende machines is aangesloten niet tegelijkertijd aan, aangezien er dan een dubbele open circuitspanning ontstaat.
- Schakel het apparaat uit als u het niet gebruikt en ontkoppel de kabels.
- Koppel alle stroomaansluitingen en/of verbindingsstekkers los of schakel de machine uit voordat u de machine repareert.
- Wees voorzichtig wanneer u een lange netkabel gebruikt.
- Controleer of alle aansluitingen goed vastzitten, schoon en droog zijn.
- Zorg ervoor dat de kabels droog, schoon en vetvrij zijn. Bescherm tegen hete metalen onderdelen en vonken.
- Ongeïsoleerde, onbedekte kabels vormen een levensgevaarlijk gevaar. Controleer alle kabels regelmatig op mogelijke schade. Als u een beschadigde of ongeïsoleerde kabel aantreft, repareer of vervang deze dan onmiddellijk.
- Als de aardtang niet met het werkstuk verbonden is, isoleer deze dan om contact met een metalen voorwerp te voorkomen.
- Zorg ervoor dat de voedingskabel correct geaard is.
- Gebruik de AC lasuitgang niet in natte, vochtige of krappe ruimtes en op plaatsen waar valgevaar bestaat.
- Gebruik de wisselstroomuitgang alleen als deze nodig is voor het lasproces.
- Als AC-uitgang vereist is, gebruik dan de afstandsbediening als uw machine daarmee uitgerust is.

Neem extra veiligheidsmaatregelen als een van de volgende elektrisch gevaarlijke omstandigheden aanwezig is;

- Wanneer u op vochtige plaatsen bent of natte kleren draagt,
 - Op metalen vloeren, roosters of steigerconstructies,
 - Bij verkrampte posities zoals zitten, knielen of liggen,
 - Wanneer het risico van contact met het werkstuk of de vloer groot of onvermijdelijk is.
- De volgende apparatuur kan in deze gevallen worden gebruikt;
- Halfautomatische DC constante spanning (CV) MIG lasmachine,
 - DC handmatige beklede elektrode lasmachine,
 - DC- of AC-lasmachine met lage open circuitspanning (VRD), indien beschikbaar.

Wat te doen in geval van een elektrische schok



- Schakel de elektrische voeding uit.
- Gebruik niet-geleidende materialen, zoals droog hout, om het slachtoffer van een elektrische schok te bevrijden van stroomvoerende draden of onderdelen.
- Bel de hulpdiensten.

Als u een EHBO-training hebt gevolgd;

- Als het slachtoffer niet ademt, voer dan onmiddellijk reanimatie uit nadat het contact met de elektrische bron verbroken is. Ga door met reanimeren totdat de ademhaling op gang komt of hulp arriveert.
- Als er een automatische elektronische defibrillator (AED) beschikbaar is, gebruik deze dan zoals aangegeven.
- Behandel een elektrische brandwond als een thermische brandwond door een koud kompres aan te leggen. Voorkom infectie en dek af met een schone, droge doek.

Bewegende onderdelen kunnen letsel veroorzaken



- Blijf uit de buurt van bewegende voorwerpen.
- Houd alle afdekkingen, panelen, deuren, enz. van machines en apparaten gesloten en vergrendeld.
- Draag schoenen met metalen neuzen voor het geval er zware voorwerpen vallen.

Dampen en gassen kunnen schadelijk zijn voor uw gezondheid



Het is erg gevaarlijk om de rook en gassen die vrijkomen tijdens het lassen en snijden langdurig in te ademen.

- Een brandend gevoel en irritatie in de ogen, neus en keel zijn symptomen van slechte ventilatie. Verhoog in zo'n geval onmiddellijk de ventilatie, stop met lassen/snijden als het probleem aanhoudt.
- Zorg voor een natuurlijk of kunstmatig ventilatiesysteem in de werkruimte.
- Gebruik een geschikt dampafzuigsysteem op plaatsen waar gelast/gesneden wordt. Installeer indien nodig een systeem dat de dampen en gassen die zich in de hele werkplaats ophopen, kan afvoeren. Gebruik een geschikt filtratiesysteem om vervuiling van het milieu tijdens het lozen te voorkomen.

- Als u in besloten ruimtes werkt of als u lood-, beryllium-, cadmium-, zink-, gecoate of geveerde materialen last, gebruik dan naast de bovenstaande voorzorgsmaatregelen maskers die frisse lucht leveren.
- Als gascilinders in een aparte ruimte zijn gegroepeerd, zorg er dan voor dat deze ruimtes goed geventileerd zijn, houd de hoofdkranen gesloten als gascilinders niet in gebruik zijn, let op gaslekken.
- Beschermende gassen zoals argon zijn dichter dan lucht en kunnen worden ingeademd in plaats van lucht als ze in gesloten ruimten worden gebruikt. Dit is gevaarlijk voor uw gezondheid.
- Voer geen las- / snijwerkzaamheden uit in de aanwezigheid van gechloroerde koolwaterstofdampen afkomstig van smeer- of verfprocessen.
- Sommige gelaste/gesneden onderdelen vereisen speciale ventilatie. Lees aandachtig de veiligheidsregels voor producten die speciale ventilatie vereisen. Als een gasmasker vereist is, moet het juiste gasmasker worden gedragen.

Lasspatten en booglicht kunnen uw ogen en huid beschadigen



- Draag een gestandaardiseerd beschermingsmasker en een geschikt glasfilter om uw ogen en gezicht te beschermen.
- Bescherm andere blootgestelde lichaamsdelen (armen, nek, oren, enz.) tegen spatten en boogstralen met geschikte beschermende kleding.
- Omsingel uw werkgebied met vlamwerende schermen boven ooghoogte en hang waarschuwingsborden op om de mensen om u heen te beschermen tegen boogstralen en hete metalen.
- Het wordt niet gebruikt voor het verwarmen van bevroren leidingen. Dit proces met een las/snijmachine kan explosie, brand of schade aan uw installatie veroorzaken.

Vonken en rondvliegende scherven kunnen uw ogen verwonden



- Handelingen zoals lassen/snijden, oppervlakteslijpen, borstelen enz. veroorzaken vonken en spatten van metaaldeeltjes. Draag een goedgekeurde veiligheidsbril met randbescherming onder het veiligheidsmasker om mogelijk letsel te voorkomen.

Hete onderdelen kunnen ernstige brandwonden veroorzaken



- Raak hete onderdelen niet met blote handen aan.
- Laat de apparaatonderdelen afkoelen voordat u eraan werkt.
- Als u hete onderdelen moet hanteren, gebruik dan geschikt gereedschap, las-/snijhandschoenen met hoge thermische isolatie en vuurvaste kleding

Lawaai kan uw gehoor beschadigen



- Het lawaai van sommige apparatuur en processen kan uw gehoor beschadigen.
- Draag goedgekeurde gehoorbescherming als het geluidsniveau hoog is.

Laskabel kan verwondingen veroorzaken



- Richt de toorts niet op lichaamsdelen, andere personen of metaal wanneer u de lasdraadspoel afrolt.
- Wanneer u de lasdraad met de hand van de spoel afrolt, vooral bij dunne diameters, kan de draad als een veer uit uw hand vliegen en u of andere personen in uw omgeving verwonden.

Lassen /snijden kan leiden tot brand en explosies



- Las/snijd nooit in de buurt van brandbare materialen. Er kan brand of explosie ontstaan.
- Verwijder deze materialen uit de omgeving voordat u begint met lassen/snijden of bedek ze met beschermkappen om te voorkomen dat ze verbranden en ontbranden.
- Op deze gebieden zijn speciale nationale en internationale regels van toepassing.
- Las/snijd geen volledig gesloten buizen of pijpen.
- Open buizen en gesloten houders vóór het lassen/snijden, maak ze volledig leeg, ventileer en reinig ze. Wees uiterst voorzichtig bij las- / snijwerkzaamheden op dergelijke plaatsen.
- Las/snijd niet, zelfs niet als ze leeg zijn, op buizen en pijpen die eerder stoffen hebben bevat die explosie, brand of andere reacties kunnen veroorzaken.

- Tijdens het lassen/snijden wordt een hoge temperatuur gegenereerd. Plaats het daarom niet op oppervlakken die gemakkelijk kunnen verbranden of beschadigen!
- Vonken en rondvliegende scherven kunnen brand veroorzaken. Houd daarom materiaal zoals een brandblusserbuis, water en zand binnen handbereik.
- Gebruik terugslagkleppen, gasregelaars en afsluiters op circuits met ontvlambaar, explosief gas en gas onder druk. Zorg ervoor dat deze regelmatig gecontroleerd worden en goed functioneren.

Onderhoud van machines en apparaten door onbevoegden kan letsel veroorzaken



- Elektrische apparaten mogen niet door onbevoegden gerepareerd worden. Hier kunnen fouten ernstig letsel of de dood veroorzaken bij gebruik
- De gascircuitelementen werken onder druk; onderhoud door onbevoegden kan leiden tot explosies en ernstig letsel bij gebruikers.
- Het wordt aanbevolen om de machine en de bijbehorende eenheden minstens één keer per jaar technisch te onderhouden.

Lassen / snijden in kleine besloten ruimtes



- Voer las- / snijwerkzaamheden in kleine volumes en besloten ruimten altijd uit in het bijzijn van een andere persoon.
- Vermijd zoveel mogelijk las- / snijwerkzaamheden in dergelijke kleine ruimtes.

Het niet nemen van de nodige voorzorgsmaatregelen tijdens transport kan ongelukken veroorzaken



- Neem alle nodige voorzorgsmaatregelen bij het transporteren van de machine. De gebieden die vervoerd moeten worden, de onderdelen die bij het transport gebruikt moeten worden en de fysieke omstandigheden en gezondheid van de persoon die het transport uitvoert, moeten geschikt zijn voor het transportproces.
- Sommige apparaten zijn extreem zwaar, dus er moet voor worden gezorgd dat de nodige voorzorgsmaatregelen voor milieuveiligheid worden genomen bij het verplaatsen ervan.
- Als het apparaat vanaf een platform gebruikt moet worden, moet gecontroleerd worden of het platform geschikte belastingsgrenzen heeft.
- Als het apparaat met behulp van een voertuig (trolley, vorkheftruck, enz.) vervoerd moet worden, zorg er dan voor dat het voertuig en de verbindingspunten die het apparaat met het voertuig verbinden (draagriem, riem, bout, moer, wiel, enz.) sterk zijn.
- Als u het apparaat met de hand moet hanteren, zorg er dan voor dat het apparaat (draagriem, riem, enz.) en de aansluitingen goed vastzitten.
- Houd u aan de regels voor transportgewicht van de Internationale Arbeidsorganisatie en de transportvoorschriften die in uw land van toepassing zijn, om de noodzakelijke transportomstandigheden te garanderen.
- Gebruik altijd de handgrepen of draaglusen wanneer u de voeding verplaatst. Trek nooit aan de toorts, kabel of de slangen. Draag gasflessen altijd apart.
- Voordat u las-/snijapparatuur vervoert, moet u alle onderlinge verbindingen verwijderen, ze afzonderlijk optillen en vervoeren, kleine aan de handgrepen, grote aan de draagringen of met behulp van geschikte hefapparatuur zoals een vorkheftruck.

Vallende scherven kunnen letsel veroorzaken



Een onjuiste plaatsing van de voeding of andere apparatuur kan leiden tot ernstig persoonlijk letsel en materiële schade aan andere objecten.

- Plaats uw machine op vloeren en platforms met een maximale helling van 10°, zodat de machine niet kan vallen of kantelen. Geef de voorkeur aan ruimten die de materiaalstroom niet belemmeren, waar u niet over kabels en slangen kunt struikelen en waar geen beweging is, maar wel grote, goed geventileerde, stofvrije ruimten. Om te voorkomen dat de gascilinders omvallen, bevestigt u ze op het plateau in machines met een gasplateau dat geschikt is voor de cilinder, en bevestigt u ze aan de muur met een ketting zodat ze bij vast gebruik niet omvallen.
- Bied operators gemakkelijke toegang tot instellingen en aansluitingen op de machine.

Overmatig gebruik veroorzaakt oververhitting van de machine



- Laat de machine afkoelen volgens de gebruikscyclus.
- Verminder de stroomsterkte of de inschakelduur voordat u opnieuw begint te lassen/snijden.
- Blokkeer de ventilatieopeningen van de machine niet.
- Installeer geen filters in de ventilatieopeningen van de machine zonder toestemming van de fabrikant.

Booglassen kan elektromagnetische storing veroorzaken



- Dit apparaat is groep 2, klasse A in EMC-tests volgens de TS EN 55011 norm.
- Dit apparaat van klasse A is niet bedoeld voor gebruik in woonwijken waar de elektrische stroom wordt geleverd door het laagspanningsnet. Er kunnen problemen optreden bij het garanderen van elektromagnetische compatibiliteit door radiofrequentie-interferentie die op dergelijke locaties wordt uitgezonden en uitgestraald.



Dit apparaat voldoet niet aan IEC 61000 -3 - 12. Als het apparaat bedoeld is om aangesloten te worden op het laagspanningsnet dat in huishoudens gebruikt wordt, moet de installateur die de elektrische aansluiting zal maken of de persoon die het apparaat zal gebruiken, geïnformeerd worden over de connectiviteit van het apparaat, in welk geval de verantwoordelijkheid bij de gebruiker ligt.

- Zorg ervoor dat het werkgebied voldoet aan de elektromagnetische compatibiliteit (EMC). Elektromagnetische interferentie tijdens het lassen/snijden kan ongewenste effecten hebben op uw elektronische apparaten en het lichtnet. De gebruiker is verantwoordelijk voor de effecten die deze storingen tijdens het gebruik kunnen veroorzaken.
- Als er interferentie optreedt, kunnen extra maatregelen worden genomen om naleving te garanderen, zoals het gebruik van korte kabels, het gebruik van afgeschermde (gepantserde) kabels, verplaatsing van de machine, verwijdering van kabels uit het getroffen apparaat en/of gebied, gebruik van filters of EMC-bescherming van het werkgebied.
- Om mogelijke EMC-schade te voorkomen, dient u las- / snijwerkzaamheden zo ver mogelijk (100 m) van uw gevoelige elektronische apparaten uit te voeren.
- Zorg ervoor dat uw apparaat geïnstalleerd en geplaatst is in overeenstemming met de gebruiksaanwijzing.

NL

Beoordeling van elektromagnetische compatibiliteit van het werkgebied



Volgens IEC 60974-9 clausule 5.2;

Voordat las- / snijapparatuur wordt geïnstalleerd, moet de bedieningsinstantie en/of de gebruiker een onderzoek uitvoeren naar mogelijke elektromagnetische interferentie in de omgeving. De volgende voorwaarden moeten in acht worden genomen;

- Andere voedingskabels, besturingskabels, signaal- en telefoonkabels boven, onder en naast de las-/snijmachine en apparatuur,
- Radio- en televisiezenders en -ontvangers,
- Computer en andere regelapparatuur,
- Kritische veiligheidsapparatuur, bijv. bescherming van industriële apparatuur,
- Medische apparatuur van mensen in de buurt, bijv. pacemakers en gehoorapparaten,
- Apparatuur die voor meting of kalibratie wordt gebruikt,
- Immunitet van andere apparatuur in de omgeving. De gebruiker moet ervoor zorgen dat andere apparatuur die in de omgeving wordt gebruikt, compatibel is. Hiervoor kunnen extra beschermingsmaatregelen nodig zijn,
- De grenzen van het inspectiegebied kunnen worden uitgebreid afhankelijk van de grootte van de omgeving, de structuur van het gebouw en andere activiteiten die in het gebouw worden uitgevoerd, rekening houdend met het tijdstip van de dag waarop het las- / snijproces zal worden uitgevoerd.

Naast de beoordeling van het gebied kan ook de evaluatie van de apparaatinstallaties nodig zijn om de storing op te lossen. Indien nodig kunnen metingen ter plaatse ook worden gebruikt om de efficiëntie van de beperkende maatregelen te bevestigen. (Bron: IEC 60974-9).

Methoden voor vermindering van storingen



- Het apparaat moet op de aanbevolen manier en door een bevoegd persoon op het lichtnet worden aangesloten. Als er interferentie optreedt, kunnen er extra maatregelen worden genomen, zoals het filteren van het lichtnet. De voeding van vast opgestelde booglasapparatuur moet via een metalen pijp of een gelijkwaardige afgeschermde kabel lopen. Het display en de behuizing van de voeding moeten met elkaar verbonden zijn en er moet een goed elektrisch contact zijn tussen de twee structuren.
- Het aanbevolen routineonderhoud van het apparaat moet worden uitgevoerd. Wanneer het apparaat in gebruik is, moeten alle luiken van de motorkap gesloten en/of vergrendeld zijn. Er mogen geen andere wijzigingen of aanpassingen aan het apparaat worden aangebracht dan de standaardinstellingen zonder schriftelijke toestemming van de fabrikant. Anders is de gebruiker verantwoordelijk voor eventuele gevolgen.
- Las- / snijkabels moeten zo kort mogelijk worden gehouden. Ze moeten naast elkaar over de vloer van het werkgebied bewegen. Las- / snijkabels mogen op geen enkele manier opgerold worden.
- Tijdens het lassen/snijden wordt er een magnetisch veld in de machine opgewekt. Hierdoor kan het apparaat metalen onderdelen naar zich toe trekken. Om deze aantrekkingskracht te voorkomen, moet u ervoor zorgen dat metalen materialen zich op een veilige afstand bevinden of beveiligd zijn. De operator moet geïsoleerd zijn van al deze onderling verbonden metalen materialen.

- Wanneer het werkstuk om elektrische veiligheidsredenen of vanwege de grootte en positie niet met de aarde verbonden is (bijv. bij de vervaardiging van scheepsrompen of staalconstructies), kan een verbinding tussen het werkstuk en de aarde in sommige gevallen de emissies verminderen. Houd er rekening mee dat aarding van het werkstuk letsel bij gebruikers of storingen in andere elektrische apparatuur in de omgeving kan veroorzaken. Indien nodig kan de verbinding tussen het werkstuk en de aarde worden gemaakt als een directe verbinding, maar in sommige landen waar een directe verbinding niet is toegestaan, kan de verbinding worden gemaakt met behulp van geschikte capaciteitselementen in overeenstemming met de plaatselijke regelgeving en voorschriften.
- Afscherming en afscherming van andere apparaten en kabels in het werkgebied kunnen helpen om interferentie te voorkomen. Afscherming van de gehele las-/snijszone kan overwogen worden voor sommige speciale toepassingen.

Elektron-magnetisch veld (EMF)



Elektrische stroom die door een geleider loopt, genereert gelocaliseerde elektrische en magnetische velden (EMF). Bedieners moeten de volgende procedures volgen om het risico van blootstelling aan EMF tot een minimum te beperken;

- Om het magnetische veld te verminderen, moeten las-/snijkabels zoveel mogelijk bij elkaar worden gebracht en worden vastgezet met verbindingsmateriaal (tape, kabelbinders, enz.).
- Het bovenlichaam en het hoofd van de bediener moeten zo ver mogelijk uit de buurt van de las-/snijsmachine en kabels worden gehouden,
- Lassen/snijden en elektrische kabels mogen op geen enkele manier om het lichaam gewikkeld worden,
- Het lichaam mag niet tussen de las- / snijkabels vast komen te zitten. Beide las- / snijkabels moeten naast elkaar uit de buurt van het lichaam worden gehouden,
- De retourkabel moet zo dicht mogelijk bij het las-/snijsgebied op het werkstuk worden aangesloten,
- Leun niet tegen de voedingseenheid, ga er niet op zitten en werk er niet te dicht bij,
- Tijdens het transport van de voedingseenheid of draadaanvoerenheid mag er niet gelast/gesneden worden.

EMF kan ook de werking van medische implantaten (materiaal dat in het lichaam wordt geplaatst), zoals pacemakers, nadelig beïnvloeden. Er moeten beschermende maatregelen worden genomen voor mensen met medische implantaten. De toegang kan bijvoorbeeld worden beperkt voor voorbijgangers of er kunnen individuele risicobeoordelingen worden gemaakt voor operators. Voor gebruikers met medische implantaten moet een medische deskundige een risicobeoordeling uitvoeren en een aanbeveling doen.

Bescherming



- Stel het apparaat niet bloot aan regen, waterspatten of stoom onder druk.

Energie-efficiëntie



- Kies de methode en machine die geschikt zijn voor het las-/snijsproces dat u gaat uitvoeren.
- Selecteer de stroom en/of spanning die geschikt is voor het materiaal en de dikte van het te lassen/snijden materiaal.
- Als u lange tijd wacht zonder te lassen/snijden, schakel de machine dan uit nadat de ventilator de machine heeft afgekoeld. Onze apparaten met intelligente ventilatorregeling stoppen vanzelf.

Afvalprocedure



- Dit apparaat is geen huishoudelijk afval. Het moet gericht zijn op recycling binnen het kader van de richtlijn van de Europese Unie en de nationale wetgeving.
- Vraag uw dealer en bevoegde personen om informatie over het afvalbeheer van uw gebruikte machine.

GARANTIEFORMULIER



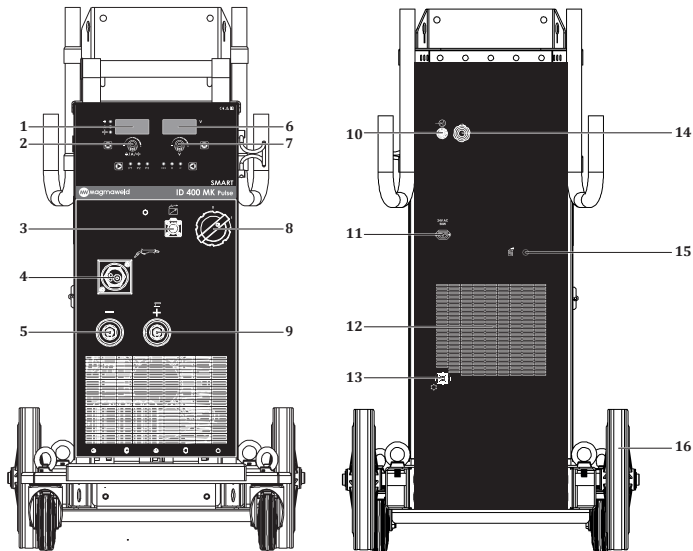
Ga naar onze website www.magmaweld.com/warranty-form/wr voor het garantieformulier.

TECHNISCHE GEGEVENS

1.1 Algemene verklaringen

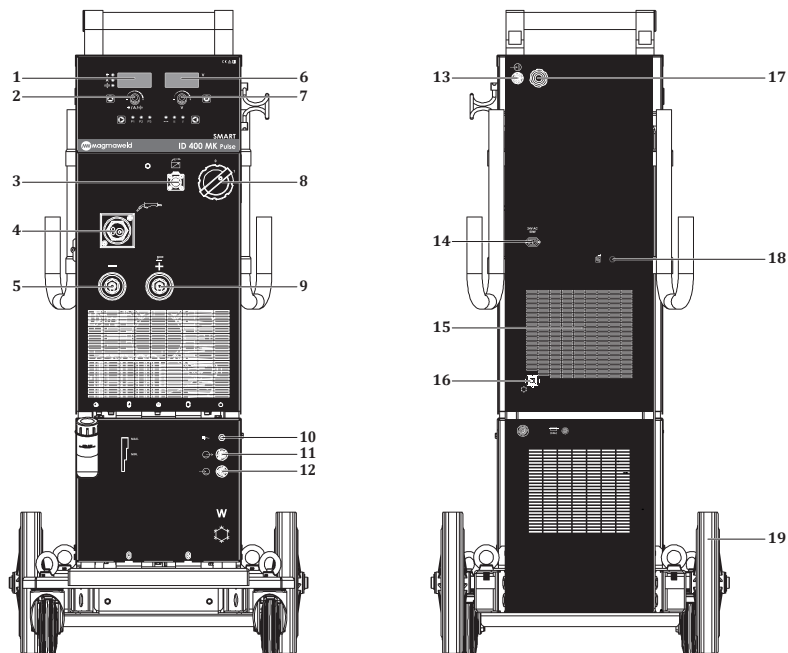
ID 300 MK/MKW PULSE SMART, ID 400 MK/MKW PULSE SMART is een driefasig industrieel inverter MIG/MAG lasapparaat met Pulse-technologie, ontworpen voor zware omstandigheden. Het biedt gemakkelijke verplaatsing dankzij zijn compacte structuur. Het biedt uitstekende laseigenschappen met alle massieve en gevulde draden. CC/CV-voeding; Hiermee kunt u MIG-, TIG-, MMA-lasmethodes en koolstofgutsen uitvoeren met één enkele machine. Dankzij de synergetische functie worden de lastroom en -spanning automatisch aangepast nadat de lasparameters zijn bepaald. Dankzij de klassieke en slimme modi kan de gebruiker zich gemakkelijk aanpassen aan de synergetische modus.

1.2 Onderdelen van het apparaat



Figuur 1 : ID 300 MK PULSE SMART / ID 400 MK PULSE SMART
Voor- en achteraanzicht

- | | |
|----------------------------|----------------------------------|
| 1- Digitaal Display | 9- Elektrode (+) Poolaansluiting |
| 2- Afstelpot | 10- Gasinvoer |
| 3- Datasocket | 11- Contactdoos Heater |
| 4- Aansluiting voor toorts | 12- Fan |
| 5- Poolaansluiting (-) | 13- Energiecontactdoos waterunit |
| 6- Digitaal Display | 14- Voedingskabel |
| 7- Afstelpot | 15- Ingang draadbus |
| 8- Aan/uit-schakelaar | 16- Wiel |



**Figuur 2 : ID 300 MKW PULSE SMART / ID 400 MKW PULSE SMART
Voor- en achteraanzicht**






- | | |
|----------------------------------|---|
| 1- Digitaal Display | 11- Warmwaterinlaat waterunit |
| 2- Afstelpot | 12- Koudwateruitlaat waterunit |
| 3- Datasocket | 13- Gasinvoer |
| 4- Aansluiting voor toorts | 14- Contactdoos Heater |
| 5- Poolaansluiting (-) | 15- Fan |
| 6- Digitaal Display | 16- Waterunit stopcontact elektriciteit |
| 7- Afstelpot | 17- Netkabel |
| 8- Aan/uit-schakelaar | 18- Ingang draadbus |
| 9- Elektrode (+) Poolaansluiting | 19- Wiel |
| 10- Led waterunit | |

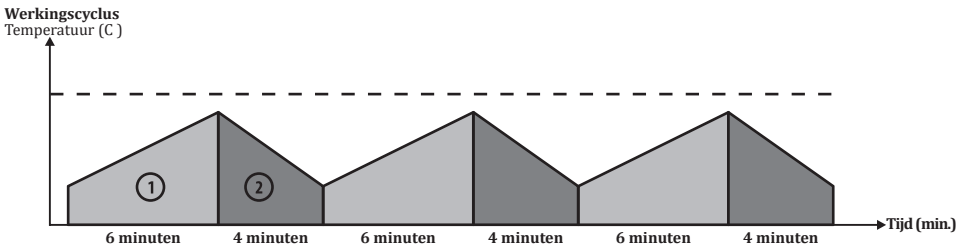
NL

1.3 Productlabel

MAGMA MEKATRONIK MAKİNE SAN. VE TİC. A.Ş. Organize Sanayi Bölgesi 5.Kısım Manisa-TÜRKİYE															
ID 300MK Pulse SMART					S/N:										
					EN 60974-1 / EN 60974-10 Class A										
50A / 22V - 300A / 32V					50A / 16.5V - 300A / 29V										
		X _(400C)		40%	60%	100%			X _(400C)		40%	60%	100%		
I ₂		300A		245A	190A			I ₂		300A		245A	190A		
U ₂		32V		29.8V	27.6V			U ₂		29V		26.2V	23.5V		
U ₁ =82V								U ₁ =82V							
		U ₁ =400V		I _{trms} = 23.2A		I _{ref} = 14.7A				U ₁ =400V		I _{trms} = 21.3A		I _{ref} = 13.5A	
3-50-60Hz								3-50-60Hz							
IP21S															
MAGMA MEKATRONIK MAKİNE SAN. VE TİC. A.Ş. Organize Sanayi Bölgesi 5.Kısım Manisa-TÜRKİYE															
ID 300MKW Pulse SMART					S/N:										
					EN 60974-1 / EN 60974-10 Class A										
50A / 22V - 300A / 32V					50A / 16.5V - 300A / 29V										
		X _(400C)		40%	60%	100%			X _(400C)		40%	60%	100%		
I ₂		300A		245A	190A			I ₂		300A		245A	190A		
U ₂		32V		29.8V	27.6V			U ₂		29V		26.2V	23.5V		
U ₁ =82V								U ₁ =82V							
		U ₁ =400V		I _{trms} = 23.2A		I _{ref} = 14.7A				U ₁ =400V		I _{trms} = 21.3A		I _{ref} = 13.5A	
3-50-60Hz								3-50-60Hz							
IP21S															
MAGMA MEKATRONIK MAKİNE SAN. VE TİC. A.Ş. Organize Sanayi Bölgesi 5.Kısım Manisa-TÜRKİYE															
ID 400MK Pulse SMART					S/N:										
					EN 60974-1 / EN 60974-10 Class A										
50A / 22V - 400A / 36V					50A / 16.5V - 400A / 34V										
		X _(400C)		40%	60%	100%			X _(400C)		40%	60%	100%		
I ₂		400A		327A	253A			I ₂		400A		327A	253A		
U ₂		36V		33.1V	30.1V			U ₂		34V		30.3V	26.6V		
U ₁ =82V								U ₁ =82V							
		U ₁ =400V		I _{trms} = 33.5A		I _{ref} = 21.2A				U ₁ =400V		I _{trms} = 32.1A		I _{ref} = 20.3A	
3-50-60Hz								3-50-60Hz							
IP21S															
MAGMA MEKATRONIK MAKİNE SAN. VE TİC. A.Ş. Organize Sanayi Bölgesi 5.Kısım Manisa-TÜRKİYE															
ID 400MKW Pulse SMART					S/N:										
					EN 60974-1 / EN 60974-10 Class A										
50A / 22V - 400A / 36V					50A / 16.5V - 400A / 34V										
		X _(400C)		40%	60%	100%			X _(400C)		40%	60%	100%		
I ₂		400A		327A	253A			I ₂		400A		327A	253A		
U ₂		36V		33.1V	30.1V			U ₂		34V		30.3V	26.6V		
U ₁ =82V								U ₁ =82V							
		U ₁ =400V		I _{trms} = 33.5A		I _{ref} = 21.2A				U ₁ =400V		I _{trms} = 32.1A		I _{ref} = 20.3A	
3-50-60Hz								3-50-60Hz							
IP21S															

NL

	Driefasige transformatorgelijkrichter	X	Werkingscyclus
CC / CV	Constante stroom / constante spanning	U₀	Onbelast werkvoltagte
	Gelijkstroom	U₁	Netspanning en -frequentie
	MIG / MAG-lassen	U₂	Nominale bronspanning
	Netingang-3-fase wisselstroom	I₁	Nominale stroom uit het stopcontact
	Geschikt voor werken in gevaarlijke omgevingen	I₂	Nominale bronstroom
		S₁	Inkomend stroom van het net
		IP21S	Beschermingsklasse



Zoals gedefinieerd in EN 60974-1 omvat de bedrijfscyclus een tijdsperiode van 10 minuten. Als het bijvoorbeeld gewenst is om met 250 A te werken in een machine die gespecificeerd is als 250 A bij 60%, kan de machine lassen/snijden zonder te stoppen in de eerste 6 minuten van de tijdsperiode van 10 minuten (1 zone). De machine moet echter de volgende 4 minuten niet gebruikt worden om af te koelen (zone 2).

1.4 Technische specificaties

TECHNISCHE SPECIFICATIES		EENHEID	ID 300 MK/MKW PULSE SMART
Netspanning (3 Fasen 50-60 Hz)		V	400
Inkomend stroom van het net		kVA	14,7
Instelgebied lasstroom		ADC	50 - 300
Nominale bronstroom		ADC	300
Open-circuit spanning		VDC	82
Afmetingen	MK	mm	1138 x 528 x 837
(lengte x breedte x diepte)	MKW		1180 x 528 x 1137
Gewicht	MK	kg	86
	MKW		110
Beschermingsklasse			IP21S

TECHNISCHE SPECIFICATIES		EENHEID	ID 400 MK/MKW PULSE SMART
Netspanning (3 Fasen 50-60 Hz)		V	400
Inkomend stroom van het net		kVA	22,1
Instelgebied lasstroom		ADC	50 - 400
Nominale bronstroom		ADC	400
Open-circuit spanning		VDC	82
Afmetingen	MK	mm	1138 x 528 x 837
(lengte x breedte x diepte)	MKW		1180 x 528 x 1137
Gewicht	MK	kg	86
	MKW		110
Beschermingsklasse			IP21S

1.5 Accessoires

STANDAARD ACCESSOIRES	QTY	ID 300 MK/MKW PULSE SMART	ID 400 MK/MKW PULSE SMART
Aardingstang en kabel	1	7905203505 (35 mm ² - 5 m)	7905305005 (50 mm ² - 5 m)
Gasslang	1	7907000002	
MIG/MAG CO ₂ Accessoireset*	1	-	
MIG/MAG Mix / Argon Accessoireset*	1	-	

* Moet worden opgegeven tijdens de bestelling.

OPTIONELE ACCESSOIRES	QTY	ID 300 - 400 MK/MKW PULSE SMART
CO ₂ -verwarmer	1	7020009003
Gasregelaar (CO ₂)	1	7020001005
Gasregelaar (Mix)	1	7020001004
Lava MIG 50W (3 m) watergekoelde MIG-toorts	1	7120050003

INSTALLATIE-INFORMATIE

2.1 Aandachtspunten bij ontvangst

Controleer of alle onderdelen die u besteld hebt, aangekomen zijn. Als er materiaal ontbreekt of beschadigd is, neem dan onmiddellijk contact op met de plaats van aankoop.

De standaard doos bevat :

- Lasapparaat en aangesloten netkabel
- Aardingsklemmen en kabel
- Lasdraad
- Gasslang
- Garantiecertificaat
- Bevestigingsketting voor gasflessen
- Gebruikershandleiding

Als de levering beschadigd is, houd dit dan bij, maak een foto van de schade en meld dit aan het transportbedrijf samen met een fotokopie van de afleverbon. Neem contact op met de klantenservice als het probleem aanhoudt.

Symbolen op het apparaat en hun betekenis



Aan het lasproces zijn gevaren verbonden. Er moet worden gezorgd voor geschikte werkomstandigheden en de nodige voorzorgsmaatregelen moeten worden genomen. Gespecialiseerde personen zijn verantwoordelijk voor de machine en moeten voor de nodige uitrusting zorgen. Niet-verwante personen moeten uit de buurt van het brongebied worden gehouden.



Dit apparaat voldoet niet aan IEC 61000-3-12. Als het apparaat bedoeld is om aangesloten te worden op het laagspanningsnet dat in huishoudens gebruikt wordt, moet de installateur die de elektrische aansluiting zal maken of de persoon die het apparaat zal gebruiken, geïnformeerd worden over de connectiviteit van het apparaat, in welk geval de verantwoordelijkheid bij de gebruiker ligt.



Let op de veiligheidssymbolen en waarschuwingen op het apparaat en in de gebruikershandleiding en verwijder de labels niet.



Roosters zijn voor ventilatiedoeleinden. Openingen mogen niet afgedekt worden voor een goede koeling en er mogen geen vreemde voorwerpen in zitten.

2.2 Aanbevelingen voor installatie en gebruik

- Voor het verplaatsen van de machine moeten hijsringen of vorkheftrucks worden gebruikt. Til de machine niet op met de gasfles. Bij het handmatig dragen van draagbare lasapparaten moeten maatregelen worden genomen in overeenstemming met de Arbo-voorschriften. Op de werkplek moeten de nodige voorzieningen worden getroffen om ervoor te zorgen dat het transportproces zoveel mogelijk in overeenstemming met de gezondheids- en veiligheidsomstandigheden wordt uitgevoerd. Er moeten voorzorgsmaatregelen worden genomen in overeenstemming met de kenmerken van de werkomgeving en de vereisten van de taak. Plaats de machine op een harde, vlakke en gladde ondergrond waar deze niet kan vallen of kantelen
- Wanneer de omgevingstemperatuur hoger is dan 40 C, laat u de machine met een lagere stroomsterkte of met een lagere cyclussnelheid werken.
- Vermijd lassen buiten in wind en regen. Als er in dergelijke situaties gelast moet worden, bescherm het lasgebied en de lasmachine dan met gordijnen en zonneschermen.
- Zorg er bij het plaatsen van het apparaat voor dat materialen zoals muren, gordijnen, panelen enz. de gemakkelijke toegang tot de bedieningselementen en aansluitingen van het apparaat niet belemmeren.
- Gebruik bij lassen binnenshuis een geschikt dampafzuigstelsel. Gebruik ademhalingsapparatuur als er een risico bestaat op het inademen van lasrook en gassen in gesloten ruimten.
- Houd u aan de gebruikscycli die op het productlabel staan aangegeven. Frequente overschrijding van de bedrijfscycli kan de machine beschadigen en de garantie ongeldig maken.
- De voedingskabel moet worden gebruikt in overeenstemming met de opgegeven waarde van de zekering.
- Sluit de aardkabel zo dicht mogelijk bij het lasgebied aan. Laat geen lasstroom door andere elementen dan de laskabels lopen, bijv. de machine zelf, gascilinder, ketting, lager.

- Wanneer de gascilinder op de machine is geplaatst, maakt u onmiddellijk de ketting vast om de gascilinder vast te zetten. Als u de gascilinder niet op de machine plaatst, moet u de cilinder met een ketting aan de muur bevestigen.
- Het stopcontact aan de achterkant van de machine is voor de CO₂-verwarmer. Sluit nooit een ander apparaat dan een CO₂-verwarming op de CO₂-aansluiting aan!

2.3 Lasverbindingen

2.3.1 Elektrische aansluiting



Gebruik voor uw veiligheid nooit het netsnoer van het apparaat zonder stekker.

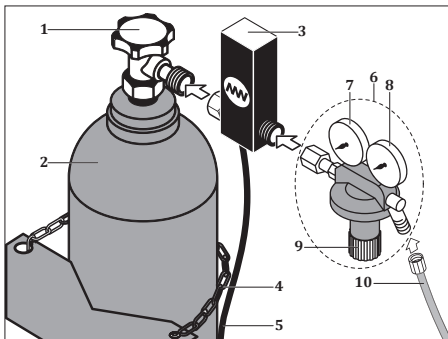
- Er is geen stekker aangesloten op het netsnoer omdat er verschillende stopcontacten beschikbaar kunnen zijn in fabrieken, bouwplaatsen en werkplaatsen. Een gekwalificeerde elektricien moet een geschikte stekker op het stopcontact aansluiten. Controleer of de aardkabel, geel/groen gekleurd en gemarkeerd met ⊕, aanwezig is.
- Steek de stekker nog niet in het stopcontact nadat u de stekker op de kabel hebt aangesloten.

2.3.2 De aardtang aansluiten op het werkstuk

- Bevestig de aardtang stevig aan het werkstuk, zo dicht mogelijk bij het te lassen gedeelte.

2.3.3 Gasaansluitingen

- Zorg ervoor dat de maat van de slangaansluiting van de gasregelaar die u gaat gebruiken 3/8 is.
- Open de kraan van de gasfles door uw hoofd en gezicht weg te houden van de uitlaat van de kraan van de gasfles en houd deze 5 seconden open. Op deze manier wordt eventueel bezinsel en vuil eruit gegooit.
- Als u een CO₂-verwarming wilt gebruiken, sluit u de CO₂-verwarming eerst aan op de gasfles. Nadat u de gasregelaar op het CO₂-verwarmingselement hebt aangesloten, steekt u de stekker van het CO₂-verwarmingselement in het CO₂-verwarmingselement aan de achterkant van de machine.
- Als de CO₂-verwarming niet gebruikt wordt, sluit u de gasregelaar aan op de gasfles.
- Sluit één uiteinde van de cilinderslang aan op de gasregelaar en draai de klem vast. Sluit het andere uiteinde aan op de gasinlaat aan de achterkant van de machine en draai de moer vast.
- Open de kraan van de gasfles en controleer of de fles vol is en of er geen lekken in het gastraject zijn. Als u een geluid hoort en/of een gasgeur ruikt die op een lek wijst, controleer dan uw aansluitingen en verhelp het lek.



- 1- Gasflesklep
- 2- Gascilinder
- 3- CO₂-verwarming
- 4- Ketting
- 5- CO₂ Verwarmer Energiekabel
- 6- Gasregelaar
- 7- Manometer
- 8- Debietmeter
- 9- Stroomregelklep
- 10- Slang

Figuur 3 : Aansluitingen gasfles - verwarming - regelaar

2.3.4 Waterkoelingseenheid

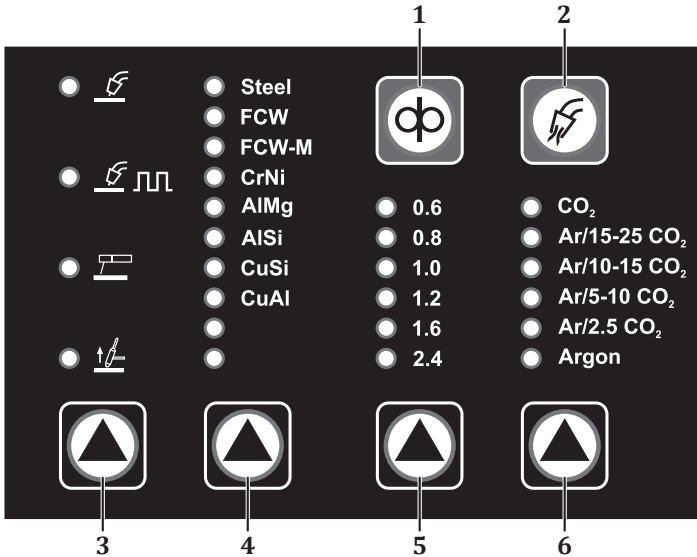
- De waterkoeleenheid is een gesloten circuit dat bestaat uit een radiator, ventilator, pomp en koelvloeistoftank die gebruikt worden om de toorts te koelen.
- Sluit de koude (blauwe) waterslang van het tussenstuk aan op de koudwateruitlaat van het waterkoelsysteem en de warme (rode) waterslang op de warmwaterinlaat van het waterkoelsysteem.
- Lasapparaten van Magmaweld worden geleverd met Magmaweld-koelmiddel, dat geproduceerd wordt om de beste prestaties te leveren. Als de koelvloeistof bijna op is, opent u de dop van de koelvloeistoftank en voegt u Magmaweld-koelvloeistof toe die geschikt is voor de temperatuur van de werkomgeving. De koelvloeistof moet zich binnen de minimum- en maximumwaarden bevinden die op het voorpaneel van het apparaat staan aangegeven.
- Voeg geen andere koelvloeistof of water toe. Verschillende vloeibare additieven kunnen chemische reacties of andere problemen veroorzaken.
- Magmaweld is niet verantwoordelijk voor risico's die kunnen ontstaan bij verschillende vloeistof toevoegingen. Alle garantie bepalingen komen te vervallen indien andere koelvloeistof of water aan Magmaweld-koelvloeistof wordt toegevoegd.
- Als u een ander merk koelvloeistof wilt gebruiken, moet het koelvloeistofreservoir helemaal leeg zijn en mag er geen residu of vloeistof in zitten.
- Waterkoelingseenheden zijn niet geschikt voor gebruik, behalve voor lasapparaten van Magma Mekatronik Makine Sanayi ve Ticaret A.Ş. Waterkoelers kunnen niet met externe voeding worden gebruikt.



Het gebruik van vuil en kalkhoudend (hard) water verkort de levensduur van de toorts en de pomp. Als de koelvloeistof onder de minimumwaarde is, bestaat de kans op doorbranden en uitvallen van de motor en toorts.

GEBRUIKSAANWIJZIGEN

3.1 Instellingen in de tas



1-) VRIJE DRAAD

Zolang de knop ingedrukt blijft, wordt de draad aangedreven, het gasblok werkt niet. U kunt deze knop gebruiken om de draad op de toorts aan te brengen.




2-) VRIJ GAS

Zolang de knop ingedrukt blijft, wordt er gas toegevoerd, maar de draadaandrijving werkt niet. U kunt deze knop gebruiken na een gaswissel.

3-) SELECTIE VAN LASMETHODE

Lasmethode is geselecteerd. Telkens als u op de knop drukt, schakelt u tussen rijen in de betreffende kolom. Wanneer de lasmethode is geselecteerd, gaat de betreffende led branden.


Afstelbereik

-  • MIG/MAG
-   • Pulse MIG/MAG

 De Pulse lasmethode is alleen beschikbaar op modellen met Pulse. Bij modellen zonder Pulse zal, wanneer deze lijn bereikt wordt, het led niet oplichten en zal Pulse niet actief zijn.

- MMA



 U moet uw aansluitingen en accessoires aanpassen aan de gekozen lasmethode. Er is een apart stopcontact voor de MMA-methode aan de voorkant van het apparaat.

- Lift TIG



 Voor Lift TIG-lassen moet een geschikt apparaat worden gebruikt voor de aansluiting van de toortsconnector. Het zal compatibel zijn met Euro connectoren dankzij het speciale apparaat.

4-) SELECTIE DRAADTYPE

Het draadtype wordt geselecteerd. Het te gebruiken draadtype moet correct worden geselecteerd. Telkens als u op de knop drukt, schakelt u tussen rijen in de betreffende kolom. Wanneer het draadtype is geselecteerd, gaat de betreffende led branden.

Afstelbereik

- Steel
- FCW
- FCW-M
- CrNi
- AlMg
- AlSi
- CuSi
- CuAl

5-) DRAADDIAMETERSELECTIE

De draaddiameter wordt geselecteerd. De te gebruiken draaddiameter moet correct worden gekozen. Telkens als u op de knop drukt, schakelt u tussen rijen in de betreffende kolom. Wanneer de draaddiameter geselecteerd is, gaat de betreffende led branden.

Afstelbereik

- 0.6 - 2.4 mm

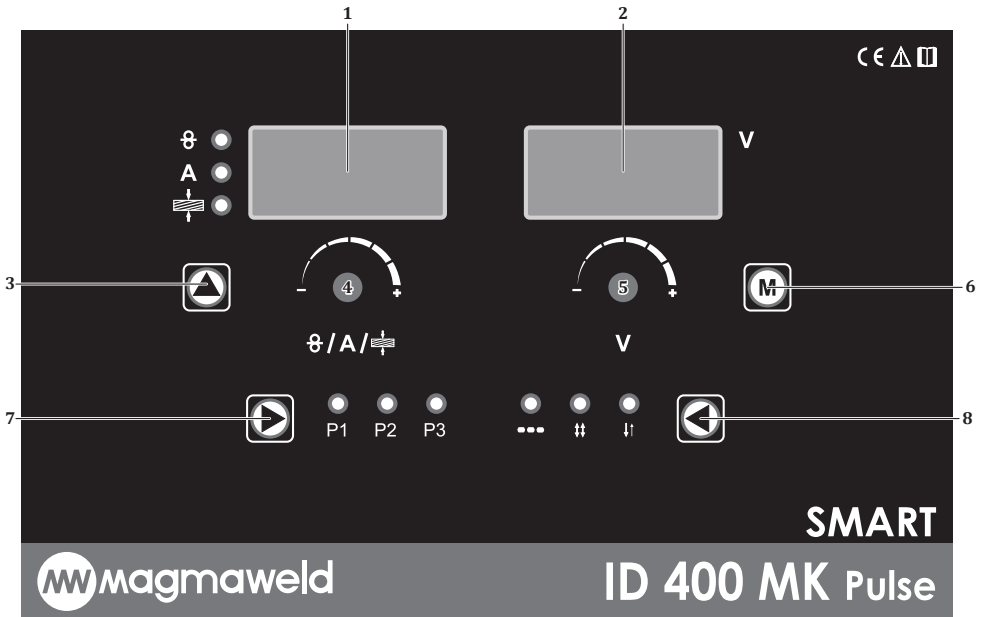
6-) SELECTIE GASTYPE

Het gastype wordt geselecteerd. Het te gebruiken gastype moet correct worden geselecteerd. Telkens als u op de knop drukt, schakelt u tussen rijen in de betreffende kolom. Wanneer het gastype is geselecteerd, gaat de betreffende led branden.

Afstelbereik

- CO₂
- Ar/15-25 CO₂
- Ar/10-15 CO₂
- Ar/5-10 CO₂
- Ar/2.5 CO₂
- Argon

3.2 Gebruikersinterface



1-) LINKER DIGITALE DISPLAY

Toont menu-inhoud, foutmeldingen, stationair/belast draadsnelheid en lasstroom, diktewaarde afhankelijk van de geselecteerde modus. Alle parameters worden op het digitale scherm weergegeven.

	Stationair	Belast
Synergetische modus	Materiaaldikte	Lasstroom
Smart-modus	Bron instelstroom	Lasstroom
Klassieke modus	Draadsnelheid	Lasstroom

2-) RECHTER DIGITALE DISPLAY

Het toont de instellingsparameters van de functies en de bronspanning bij stationair of belasting, afhankelijk van de geselecteerde modus.

	Stationair	Belast
Synergetische modus	Volt lasapparaat	Lasspanning
Smart-modus	Volt lasapparaat	Lasspanning
Klassieke modus	Volt lasapparaat	Lasspanning

3-) BRONMODUSSELECTIE

De lasmodus is geselecteerd. Telkens als u op de knop drukt, schakelt u tussen rijen in de betreffende kolom. Wanneer de bronmodus is geselecteerd, gaat de betreffende led branden.

Afstelbereik



• Klassieke modus



• Smart-modus



• Synergetische modus

De selectie die u maakt op het tabblad Methode in de zak zorgt voor een differentiatie in de lasmodusopties. Wanneer de MIG/MAG-lasmethode als lasmethode is geselecteerd, zijn de modi als volgt:

KLASSIEKE MODUS

Indien geselecteerd, kunt u de draadsnelheid en lasspanning zelf aanpassen binnen een bepaald tolerantiebereik. De draadsnelheid wordt ingesteld tussen 1 - 24 m/min, de lasspanning tussen 15 - 40 V.

SMART-MODUS

Wanneer u deze selecteert, moeten lasparameters zoals draadtype, draaddiameter en gastype correct worden geselecteerd. De machine stelt automatisch de optimale spanning in volgens de geselecteerde lasstroom. U kunt de spanning binnen een bepaald tolerantiebereik instellen door de instelknop +/- te draaien.

SYNERGETISCHE MODUS

Wanneer u deze selecteert, moeten de lasparameters zoals draadtype, draaddiameter, gastype en dikte correct worden geselecteerd. Zowel stroom als spanning passen zich automatisch aan volgens de geselecteerde lasparameters. De gebruiker kan zowel stroom als spanning binnen een bepaald tolerantiebereik navigeren. De machine zal automatisch de spanning herberekenen volgens de ingestelde stroomwaarde binnen een bepaalde tolerantie.



Als u wilt zien welke waarde het apparaat oorspronkelijk voorstelde en naar die waarde wilt terugkeren, drukt u gewoon één keer op de insteltoets.

Wanneer de Puls MIG/MAG lasmethode als lasmethode is geselecteerd, zijn de modi als volgt:



Het zal actief zijn in pulseli-modellen.

KLASSIEKE MODUS

Indien geselecteerd, kunt u de draadsnelheid en lasspanning zelf aanpassen binnen een bepaald tolerantiebereik. De draadsnelheid wordt ingesteld tussen 1 - 24 m/min, de lasspanning tussen 15 - 40 V.

SMART-MODUS

Wanneer u deze selecteert, moeten lasparameters zoals draadtype, draaddiameter en gastype correct worden geselecteerd. De machine stelt automatisch de optimale spanning in volgens de geselecteerde lasstroom. U kunt de spanning binnen een bepaald tolerantiebereik instellen door de instelknop +/- te draaien.

SYNERGETISCHE MODUS

Wanneer u deze selecteert, moeten de lasparameters zoals draadtype, draaddiameter, gastype en dikte correct worden geselecteerd. Zowel stroom als spanning passen zich automatisch aan volgens de geselecteerde lasparameters. De gebruiker kan zowel stroom als spanning binnen een bepaald tolerantiebereik navigeren. De machine zal automatisch de spanning herberekenen volgens de ingestelde stroomwaarde binnen een bepaalde tolerantie.

Wanneer MMA- en Lift-TIG-lassen als lasmethode zijn geselecteerd, is er geen selectie in het modusgedeelte.

4-) INSTELPOT

Het afstellen gebeurt door de pot **(4)** naar links en rechts te draaien.

- Wanneer de MMA-lasmethode is geselecteerd, wordt de stroom met een potentiometer aangepast.
- Wanneer de Lift TIG-lasmethode is geselecteerd, wordt de stroom aangepast met een potentiometer.
- Wanneer de klassieke modus geselecteerd is, wordt de snaarsnelheid aangepast met de potmeter.
- Wanneer de slimme modus geselecteerd is, wordt de stroom met de potentiometer ingesteld en wordt de spanning automatisch berekend aan de hand van de ingestelde stroom.
- Wanneer de synergetische modus geselecteerd is, wordt de dikte van het te koken materiaal geselecteerd met de pan, de spanning wordt automatisch berekend op basis van de ingestelde dikte.
- Wanneer u op de knop **(6)** drukt en naar de functiesectie overschakelt, moet u één keer op de pot drukken om in de verwante functie op te nemen en naar de andere functie over te schakelen.

Bijvoorbeeld;

Als u deze waarde wilt opslaan na het instellen met de **(5)** pot, druk dan eenmaal op de **(4)** pot en schakel over naar de andere functie, eindgas **(PoS)**. Als u op **(4)** drukt en niet naar de volgende functie **(PoS)** gaat, als u direct naar de hoofdpagina terugkeert, wordt er geen registratie uitgevoerd.

5-) INSTELPOT

Het afstellen gebeurt door de pot **(5)** naar links en rechts te draaien.

- Wanneer de klassieke modus geselecteerd is, wordt de spanningswaarde ingesteld.
- Wanneer de smart-modus geselecteerd is, wordt de spanning automatisch berekend aan de hand van de stroom die met potmeter **(4)** ingesteld is. U kunt de spanning aanpassen door de **(5)** pot naar links en rechts te draaien binnen een bepaald tolerantiebereik.
- Wanneer de synergetische modus geselecteerd is, wordt de spanning automatisch berekend volgens de opgegeven parameters.
U kunt de spanning aanpassen door de **(5)** pot naar links en rechts te draaien binnen een bepaald tolerantiebereik.
- Wanneer u knop **(6)** selecteert, worden de functies ingeschakeld. Potgerelateerde functies zijn ingesteld.

6-) FUNCTIESELECTIE

Wanneer u eenmaal op de knop **(6)** drukt, worden de functies geopend. Om terug te keren naar de startpagina drukt u eenvoudigweg nogmaals op de knop. Instellingen worden gemaakt in de geselecteerde functie door de pot **(5)** naar links en rechts te draaien. Wanneer u de geselecteerde instelling wilt opslaan, is het noodzakelijk om door te gaan naar de volgende functie. Om op te slaan is het voldoende om één keer op de pot **(4)** te drukken, waardoor de instelling wordt opgeslagen en naar de volgende functie wordt gegaan. In het menudeelje zijn de volgende functies beschikbaar:

PrE

Voorgas

De voorgastijd wordt ingesteld.

Afstelbereik

- 0 - 9,9 sec.

Voordat u begint met lassen gedurende de opgegeven tijd, wordt er gas toegevoerd en dan begint het lassen. Bescherm het smeltbad aan het begin van het lassen.

PoS

Laatste gas

De laatste gastijd is ingesteld.

Afstelbereik

- 0 - 9,9 sec.

Na het beëindigen van het lassen gedurende de opgegeven tijd, komt het gas en wordt het lassen beëindigd. Het biedt bescherming van het smeltbad aan het einde van het lassen.

brn

Herverbranding

De herverbranding wordt afgesteld.

Afstelbereik

- + 25 - 25

Als de waarde op het display "+" is, zal de draad gedurende de opgegeven tijd naar voren komen, als de waarde op het display "-" is, zal de draad gedurende de opgegeven tijd naar achteren blijven branden. Voorkomt dat de lasdraad aan het contactmondstuk blijft plakken wanneer het lasproces klaar is.

Pon

Lasduur

Wanneer de methode geselecteerd is, wordt de lastijd ingesteld.

Afstelbereik

- 0.2 - 9.9 sec.

PoF

Gap-duur

Wanneer de methode geselecteerd is, wordt de tijd ingesteld waarin niet gelast mag worden.

Afstelbereik

- 0.0 - 9.9 sec.

SoS

Soft Start

De softstartinstelling wordt uitgevoerd.

Afstelbereik

- On - Off

Wanneer u voor het eerst begint te lassen, neemt de draadsnelheid geleidelijk toe van lage snelheid tot de ingestelde snelheid. Dit voorkomt kloppen en spatten bij het begin van het lassen.

Crt

Krater

De kraterfunctie wordt ingesteld.

Afstelbereik

- On - Off

Hierbij wordt een opvulproces uitgevoerd om scheuren aan het einde van het lassen te voorkomen. Wanneer de krater actief is, wordt de lasstroom aan het einde van het lassen met een zekere lineariteit verlaagd en wordt het lassen beëindigd.

7-) PROGRAMMASELECTIE

Het wordt gebruikt om het uitgevoerde werk vast te leggen. Er zijn 3 geheugenplaatsen beschikbaar. De LED (7) van het programma waarin de handeling wordt uitgevoerd, gaat branden. Om het programma op te slaan, drukt u eenmaal op de toets om naar het volgende programma te gaan. Als u op programmanummer 3 gaat opnemen, is het voldoende om na het maken van uw instellingen één keer op de knop te drukken om op te slaan terwijl led P3 aan staat. Alle programma's zijn dus uit. Na het P3-programma is er een veld waarmee u zonder programmaregistratie kunt werken. In dit veld worden er geen programma's opgenomen en zijn de programma-LED's uit.

Afstelbereik

- P1 - P2 - P3

8-) TRIGGERMODUSSELECTIE

Wordt gebruikt voor selectie van de triggermodus. Elke druk op de knop (8) schakelt naar de andere triggermodus.

Afstelbereik

- 2 triggers
- 4 triggers
- Methode



Druk op de trigger



De trigger ingedrukt houden



De trigger loslaten

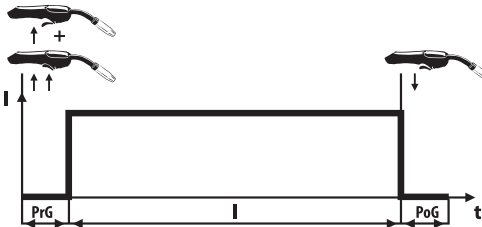
2 TRIGGERMODUS : Wanneer de trigger van de toorts wordt ingedrukt, begint het lassen en wordt de trekker ingedrukt gehouden totdat het lassen klaar is. Het lassen stopt wanneer de trigger wordt losgelaten.

Begin van het lassen;

- Houd de trigger ingedrukt,
- De beschermgasstroom start voor de duur van de voorgastijd.
- Aan het einde van de voorgloeiperiode draait de draadaanvoermotor op lage snelheid.
- De lasstroom neemt toe wanneer het werkstuk wordt bereikt.

Bronafsluiting;

- Laat hierbij de ingedrukte trigger van de toorts los,
- De draadaanvoermotor stopt.
- De boog gaat uit na de ingestelde terugbrandtijd.
- Het proces eindigt aan het einde van de laatste gasperiode.



PrG : Voorgastijd

I : Lasstroom

PoG : Nagastijd

4 TRIGGERMODUS : Zodra de trigger van de toorts ingedrukt en losgelaten wordt, begint het lassen en hoeft u hem niet ingedrukt te houden tot het einde van het lassen. Wanneer de trigger wordt ingedrukt en weer losgelaten, wordt de las beëindigd.

Begin van het lassen;

- Houd de trigger ingedrukt,
- De beschermgasstroom start voor de duur van de voorgastijd.
- Aan het einde van de voorgloeiperiode draait de draadaanvoermotor op lage snelheid.
- De lasstroom neemt toe wanneer het werkstuk wordt bereikt.
- Laat de trigger van de toorts los en het lassen gaat door.

Begin van het lassen;

- Houd de trigger ingedrukt,
- De beschermgasstroom start voor de duur van de voorgastijd.
- Aan het einde van de voorgloeiperiode draait de draadaanvoermotor op lage snelheid.
- De lasstroom neemt toe wanneer het werkstuk wordt bereikt.
- Laat de trigger van de toorts los en het lassen gaat door.



PrG : Voorgastijd

I : Lasstroom

PoG : Nagastijd

METHODE: In deze modus wordt naar puntlassen verwezen. Het lassen gaat door gedurende de opgegeven lastijd en eindigt aan het einde van de lastijd. Als de opgegeven vrijgavetijd te lang is, wordt er niet gelast. Deze periode duurt zolang de trigger niet wordt losgelaten.

Brontijd: 0,2 - 9,9 en blanco tijd: 0,0 - 9,9 seconden.



Dit verdient de voorkeur als het gewenst is om telkens dezelfde lasnaad en inbranding te verkrijgen. De lassen die in de methodemodus worden gemaakt, zullen even lang zijn.

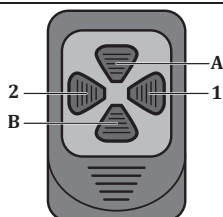
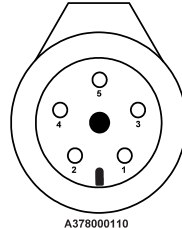
3.3 Afstandsbediening

Met een geschikte toorts en connector kunt u uw lasstroom (draadsnelheid) / lasspanning op de toorts veranderen zonder in de buurt van uw machine te komen. U moet de aansluiting voor de externe zaklamp aansluiten.

De socketverbindingen worden hieronder gegeven:

TOORTSREGELING - BRUIN	—————	A378000110 - 1
TOORTSREGELING - ZWART	—————	A378000110 - 2
TOORTSREGELING - ROOD	—————	A378000110 - 4
TOORTSREGELING - WIT	—————	A378000110 - 5
TOORTSREGELING - GROEN	—————	A378000110 - 3

Aansluiting voor afstandsbediening
Vooranzicht



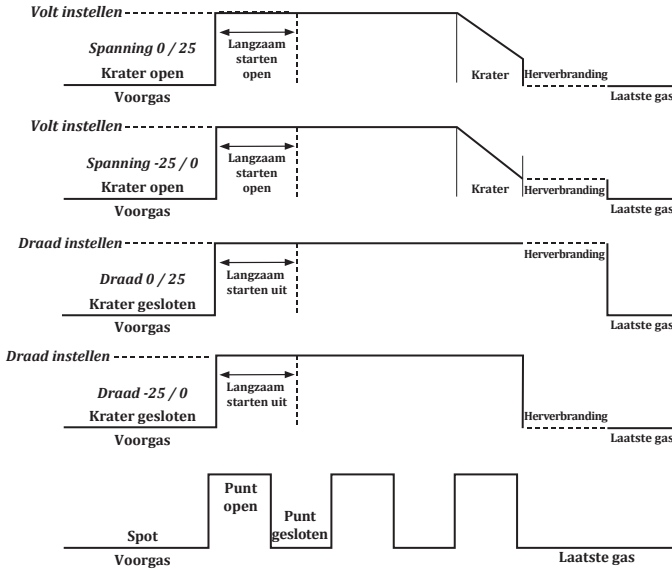
NL

Modus	Toets	Taak
Klassieke modus	1	U kunt uw draadsnelheid verlagen tot de minimale tolerantiewaarde (-10%). Aanpassingsbereik: 0,5 m/min
	2	U kunt uw draadsnelheid verhogen tot de maximale tolerantiewaarde (+10%). Aanpassingsbereik: 0,5 m/min
	A	U kunt uw bronspanning verhogen tot de maximale tolerantiewaarde (+10%). Aanpassingsbereik: 0,5 V
	B	U kunt uw lasspanning verlagen tot de minimale tolerantiewaarde (-10%). Aanpassingsbereik: 0,5 V
Slimme modus	1	U kunt uw lasstroom verlagen tot de minimale tolerantiewaarde (-10%). Aanpassingsbereik: 5 A
	2	U kunt uw lasstroom verhogen tot de maximale tolerantiewaarde (+10%). Aanpassingsbereik: 5 A
	A	U kunt uw bronspanning verhogen tot de maximale tolerantiewaarde (+10%). Aanpassingsbereik: 0,5 V
	B	U kunt uw lasspanning verlagen tot de minimale tolerantiewaarde (-10%). Aanpassingsbereik: 0,5 V
Synergiemodus	1	U kunt uw lasstroom verlagen tot de minimale tolerantiewaarde (-10%). Aanpassingsbereik: 5 A
	2	U kunt uw lasstroom verhogen tot de maximale tolerantiewaarde (+10%). Aanpassingsbereik: 5 A
	A	U kunt uw bronspanning verhogen tot de maximale tolerantiewaarde (+10%). Aanpassingsbereik: 0,5 V
	B	U kunt uw lasspanning verlagen tot de minimale tolerantiewaarde (-10%). Aanpassingsbereik: 0,5 V

3.4 Booglengte aanpassen (ArC)

Wanneer knop nummer 9 gedurende 3 seconden wordt ingedrukt, wordt de booglengtefunctie geactiveerd. De fabrieksinstelling is 0,0. U kunt de booglengte-instelling wijzigen in het bereik van $+7/-7$ door de bestaande knop naar links en rechts te draaien. Naarmate de verandering richting $+7$ wordt doorgevoerd, komt de draad dichter bij de contacttip en wordt de booglengte langer. Naarmate de temperatuur richting -7 verandert, komt de draad dichter bij het lasmetaal en wordt de booglengte korter. Nadat de gewenste instelling is gemaakt, kan de instelling worden verlaten door één keer op de huidige knop te drukken.

3.5 MIG-curve



Parameter	Waardebereik	Fabrieksinstelling	2- MIG locatie	4- MIG locatie
Voorgas	0,0 - 9,9 sec	0,1 sec	✓	✓
Laatste gas	0,0 - 9,9 sec	0,1 sec	✓	✓
Herverbranding	25 - 0 - 25	0 step	✓	✓
Lasduur	0,2 - 9,9 sec	0,2 sec	✓	✓
Gap-duur	0,0 - 9,9 sec	0,0 sec	✓	✓
Draaddiameter	0,6 - 2,4 mm	1,0 mm	✓	✓
Dikte	0,6 - 20,0 mm	1,0 mm	✓	✓
Gastype	CO ₂ , Ar/5-10 CO ₂ , Ar/15-25 CO ₂ , Ar/2.5 CO ₂ , Ar/10-15 CO ₂ , Argon			
Draadtype	Steel, AlMg, FCW, AlSi, FCW-M, CuSi, CrNi, CuAl			
Krater	Actief / passief	Passief	✓	✓
Modus	Synergetisch / Intelligent / Klassiek			
Trigger	Methode / 2 / 4	2	✓	✓
Methode	MIG / MAG - MMA LIFT TIG	MIG / MAG		

3.6 Op het net aansluiten



Controleer de netspanning voordat u de machine op het lichtnet aansluit.

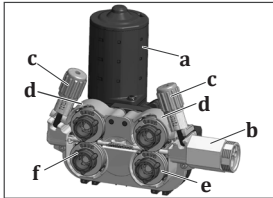


Zorg er bij het aansluiten voor dat de aan/uit-schakelaar in de "0"-positie staat.

- Zet het apparaat aan met de aan/uit-schakelaar.
- Nadat u het geluid van de ventilator hoort en het lampje op het lichtnet ziet branden, schakelt u het apparaat uit door de aan/uit-schakelaar weer in de uit-stand te zetten.

3.7 Keuze en vervanging van draadaanrijfrollen

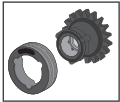
- Wanneer u de klep van het draadaanvoergedeelte opent, kunt u het gas en de draad vrij afstellen met de knop aan de zijkant. In het draadaanvoergedeelte ziet u het aandrijfsysteem met een structuur van 4 rollencoders. Dankzij de structuur van het 4 WD-systeem wordt de draad mechanisch aangedreven door de kracht die op alle 4 de rollen wordt uitgeoefend. Zelfs onder ongunstige omstandigheden, zoals verhitting van de motor en verhoogde wrijving, verandert de rijsnelheid van de draad niet. De boogstabiliteit is uitstekend. Wanneer het apparaat wordt ingeschakeld, zal de led binnenin actief zijn, wat handig is bij het verwisselen van de haspel.



- a- Motor
- b- Eurostekker
- c- Drukregelschroef
- d- Bovenste draadschuifrollen
- e- Onderste draadschuifrollen
- f- Draadschuifslot

Figuur 5 : Draadschuifstelsel

- **Gebruik draadaanvoerrollen die geschikt zijn voor het materiaal en de diameter van de lasdraad die u gaat gebruiken. Gebruik V-groef voor staal en roestvrij staal, gekartelde V-groef voor gevulde draad, U-groef voor aluminium.**
- Als u de draadaanrijfrollen moet vervangen, verwijdert u de bestaande rollen nadat u de drukinstelschroef naar u toe hebt getrokken en de bovenste roldeksels hebt opgetild.

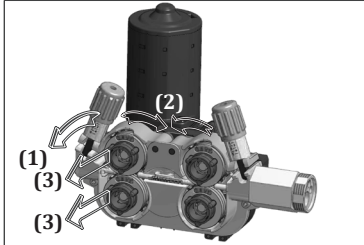


- **U moet deze ontgrendelen zodat u de rollen kunt verwijderen. Door in de tegenovergestelde richting van de vergrendelingsrichting te draaien, moeten de openingen aan de binnenkant van de draadaanvoerspoel de uitsteeksels op het draadaanvoerhuis overlappen, waardoor de vergrendeling wordt ontgrendeld.**

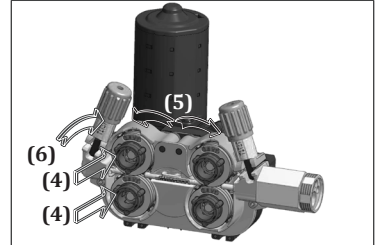


- **Beide zijden van de spoelen zijn gemarkeerd volgens de draaddiameter waarvoor ze worden gebruikt.**
- **Plaats de spoelen op de flens met de draaddiameter die u gaat gebruiken aan de kant die naar u toe wijst.**

- Plaats de te gebruiken spoel zodanig dat de openingen aan de binnenkant van de draadaanvoerspoel de uitsteeksels op het draadaanvoerhuis overlappen. Draai naar rechts of links en controleer of u het vergrendelingsgeluid hoort en of de draadaandrijfrollen op hun plaats zitten. Laat vervolgens de drukrollen zakken en til de drukrolhendel op om deze op de drukrol te vergrendelen.



Figuur 6 : De draadaanvoerrollen verwijderen

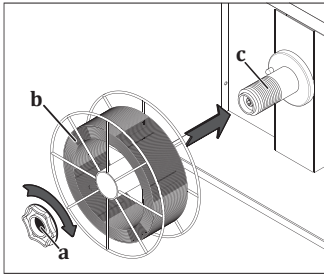


Figuur 7 : Plaatsing van de draadaandrijfrollen

NL

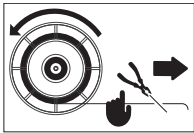
3.8 De draadspoel positioneren en de draad aandrijven

- Draai de schroef van het draadtransportsysteem los. Rijk de lasdraadspoel op de as van het draadtransportsysteem en draai de schroef weer vast.



Figuur 8 : De draadspoel plaatsen

- Trek aan de drukhendel op de draadaandrijfspoel en laat hem zakken, d.w.z. ontlad de drukspoel.

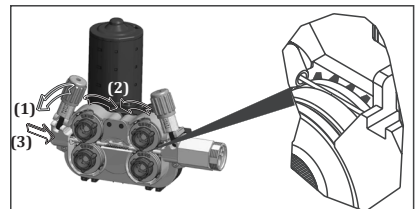


- Verwijder de lasdraad van de plaats waar de draadspoel is aangesloten en knip het uiteinde af met een zijbeitel zonder het te missen.



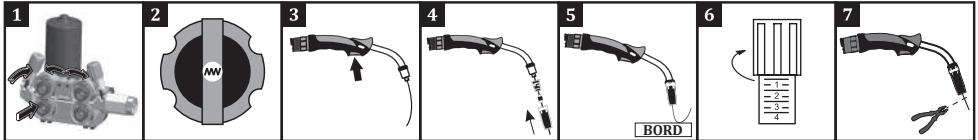
Als het uiteinde van de draad wordt gemist, kan de draad als een veer naar buiten schieten en schade aan u en anderen om u heen veroorzaken.

- Zonder de draad los te laten, voert u de draad door de draadinvoergeleider, op de spoelen en over de spoelen in de toorts.



Figuur 9 : De draad op de spoel aanbrengen

- Druk de persrollen in en til de pershendel op. **1**
- Schakel de machine in door de Aan/Uit-schakelaar in stand "1" te zetten. **2**
- Druk de trekker in totdat de draad uit de toortspunt komt, terwijl u erop let dat de lasdraadspoel soepel ronddraait, controleer of de wikkeling niet loskomt door de trekker een paar keer in te drukken en los te laten. **3** Als u merkt dat de draad losraakt en/of oprot, draai de schroef van het draadtransportsysteem dan iets vaster aan.
- Als de draad uit de toortspunt is, plaatst u het mondstuk en het contactmondstuk terug op de toorts. **4**
- Leg de draad op een plank **5**, stel de juiste draaddrukinstelling **6** in en knip het draadeinde door. **7**



! Als de drukinstelschroef te strak wordt aangedraaid, los wordt gelaten of de verkeerde draadspoel wordt gebruikt, zullen de volgende effecten optreden.

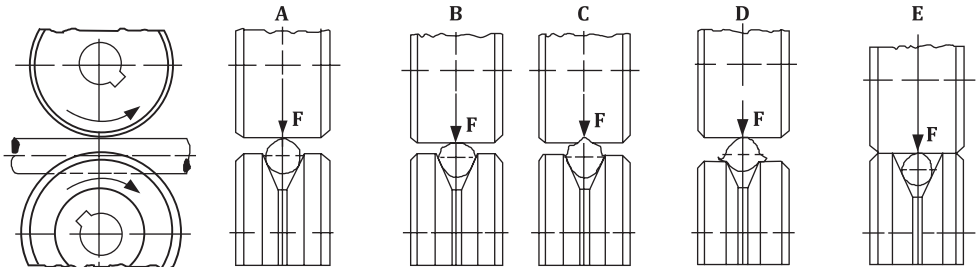
A: Geschikte draadmaat en kanaal.

B: De draad is vervormd omdat de persarm te strak is samengedrukt.

C: Er treden vervormingen op het roloppervlak op omdat de persarm te veel wordt samengedrukt.

D: De groefmaat van de spoel is te klein voor de gebruikte draad. Er treden vervormingen op in de vorm van de draad.

E: De groefmaat van de spoel is te groot voor de gebruikte draad. Kan niet naar het draadlasgebied worden verzonden.



Figuur 10 : Fouten bij het afstellen en selecteren van de spoel

3.9 Gasstroomsnelheid aanpassen



Voer de gasinstelling en gastest uit door de drukhendel van de draadaanvoerrol te laten zakken!

- Pas de gasstroom aan met de stroomregelklep.
- De stroomsnelheid van het praktische gas (CO₂, Ar, mengsel) is 10 keer de draaddiameter. Als de draaddiameter bijvoorbeeld 1,2 mm is, kan de gasstroomsnelheid worden ingesteld op 10 x 1,2 = 12 l/min.
- U kunt de tabel aan de zijkant gebruiken om de stroomsnelheid nauwkeuriger in te stellen. Til na het afstellen van de gasstroom de drukrolhendel op en sluit het deksel van de draadaanvoereenheid.

		Niet-gelegeerd staal en metaal gevulde draad	Gevulde draad	Roestvrij staal	Aluminium
Draad diameter (mm)	0.8	8 lt/min.	7 lt/min.	8 lt/min.	8 lt/min.
	0.9	9 lt/min.	8 lt/min.	9 lt/min.	9 lt/min.
	1.0	10 lt/min.	9 lt/min.	10 lt/min.	10 lt/min.
	1.2	12 lt/min.	11 lt/min.	12 lt/min.	12 lt/min.

3.10 Machinespecificaties

CC/CV-structuur

- Geschikt voor MIG-, MMA- en TIG-lassen

Geheugen

- Er zijn 3 taakgeheugens om het uitgevoerde werk op te slaan.

Verscheidenheid aan gebruiksfuncties

- Biedt gebruiksvriendelijke bediening met klassieke, slimme en synergetische MIG/MAG-modi.

Soft Start

- Het voorkomt kloppen en spatten door de draadsnelheid geleidelijk te verhogen.

Smart Performance

- Dankzij de smart performance control worden de lasparameters van de machine continu bewaakt en geanalyseerd.
- In geval van verplichte omstandigheden beschermt de machine zichzelf om de levensduur te verlengen en de machine tegen storingen te beschermen.
- Deze beveiliging wordt aangegeven door een thermische led-waarschuwing op het machinepaneel.
- Na 2 minuten beschermingstijd wordt de machine weer ingeschakeld.

Smart Fan

- De interne temperatuur van de machine wordt continu gemeten. De snelheid van de koelventilator wordt verhoogd of verlaagd op basis van de gemeten temperatuur. Onder een bepaalde temperatuur stopt de fase volledig. Deze functie vermindert de hoeveelheid stof die de machine binnenkomt. De levensduur van de machine wordt verlengd en er wordt energie bespaard. Tijdens het lassen werkt de ventilator om te koelen.

Stroom-/spanningsregeling op toorts

- Met de optie voor controleaansluiting kunt u uw lasstroom/spanning op de toorts wijzigen zonder in de buurt van uw machine te komen met een toorts met geschikte specificaties.

Compatibiliteit met robot

- Biedt gebruiksgemak dankzij de structuur die compatibel is met de robot

Compatibiliteit met magneet

- Magneetgeschikte structuur slaat bron- en omgevingsinformatie in realtime op. Sommige waarden kunnen van het LCD-paneel voor de machine worden afgelezen, terwijl andere informatie (Total Equipment Effectiveness OEE, Resource Parameters-WP, Kwaliteit, enz. Opgeslagen en bewaakt op het Magnet-platform. (Optioneel)

Werken met generatoren

- Geschikt voor het werken met generatoren. Met hoeveel kVA het systeem zal werken, kunt u bepalen aan de hand van de technische specificaties.

Fasebescherming

- Beschermt tegen ontbrekende of verkeerde fase.

Spanningsbeveiliging

- Als de netspanning te hoog of te laag is, beschermt de machine zichzelf automatisch door een foutcode op het display weer te geven. Op deze manier worden de onderdelen van het apparaat niet beschadigd en gaat het apparaat lang mee. Na het normaliseren van de omgevingscondities worden ook de functies van het apparaat geactiveerd.



ONDERHOUDS- EN STORINGSINFORMATIE

- Onderhoud en reparaties aan het apparaat moeten worden uitgevoerd door bevoegde personen. Ons bedrijf is niet verantwoordelijk voor ongevallen die veroorzaakt worden door ingrepen van onbevoegde personen.
- U kunt de onderdelen die u tijdens de reparatie gebruikt bij onze geautoriseerde diensten verkrijgen. Het gebruik van originele reserveonderdelen verlengt de levensduur van uw apparaat en voorkomt prestatieverlies.
- Neem altijd contact op met de fabrikant of een door de fabrikant aangegeven erkende werkplaats.
- Elke poging die tijdens de garantieperiode niet door de fabrikant is goedgekeurd, maakt alle garantiebepalingen ongeldig.
- Neem tijdens onderhouds- en reparatiewerkzaamheden altijd de geldende veiligheidsvoorschriften in acht.
- Voordat er reparatiewerkzaamheden aan de machine worden uitgevoerd, moet u de stekker uit het stopcontact trekken en 10 seconden wachten tot de condensatoren ontladen zijn.

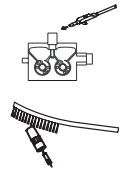
4.1 Onderhoud

NL



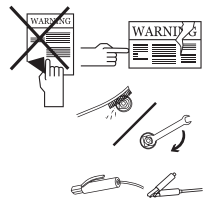
Dagelijks onderhoud

- Het draadaanvoermecanisme moet schoon worden gehouden en de rolloppervlakken mogen nooit worden ingevet. Reinig altijd de resten die zich op het apparaat hebben opgehoopt met behulp van droge lucht telkens wanneer de lasdraad wordt vervangen.
- Reinig de verbruiksartikelen op de toorts regelmatig. Indien nodig moet deze worden vervangen. Zorg ervoor dat deze materialen originele producten zijn voor langdurig gebruik.



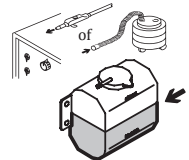
Elke 3 maanden

- Verwijder de waarschuwingslabels op het apparaat niet. Vervang versleten/gescheurde etiketten door nieuwe. U kunt de etiketten bij de geautoriseerde service verkrijgen.
- Controleer de toorts, tang en kabels. Let op de verbindingen en de stabiliteit van de onderdelen. Vervang beschadigde/defecte onderdelen door nieuwe. Maak geen lassen/reparaties aan de kabels.
- Zorg voor voldoende ventilatieruimte.
- Controleer voordat u met lassen begint de gasstroom vanaf de tip van de toorts met een debietmeter. Als de stroomsnelheid van het gas te hoog of te laag is, breng deze dan op het juiste niveau voor het uit te voeren laswerk.



Elke 6 maanden

- Reinig verbindingsonderdelen zoals bouten en moeren en draai ze vast. Controleer de kabels van de elektrodeklem en de aardklem. Open de zijcapen van de machine en reinig deze met droge lucht onder lage druk. Gebruik geen perslucht van dichtbij op elektronische onderdelen.
- Vul het water in de tank van de waterkoeler regelmatig bij met schoon, niet hard water en bescherm het tegen bevriezing met antivries.



OPMERKING: De hierboven vermelde perioden zijn de maximale perioden die moeten worden toegepast als er zich geen problemen voordoen met uw apparaat. Afhankelijk van de intensiteit en vervuiling van uw werkomgeving kunt u de bovenstaande handelingen vaker herhalen.



Las nooit met de deuren van de lasmachine open.

4.2 Problemen oplossen

In de onderstaande tabellen worden mogelijke fouten en oplossingsuggesties vermeld.

Storing	Oorzaak	Oplossing
Apparaat werkt niet	• Elektronische kaart defect	• Neem contact op met de geautoriseerde service
	• Probleem met de elektrische aansluiting van het apparaat	• Controleer of het apparaat op het lichtnet is aangesloten
	• Defecte netaansluitingen	• Controleer of de netaansluitingen juist zijn
	• Netzekering defect of netkabel beschadigd	• Controleer de zekeringen van de netvoeding, het netsnoer en de stekker
	• Aan/uit-schakelaar werkt niet goed	• Controleer de aan/uit-schakelaar
Draadaandrijfmotor start niet	• Elektronische kaart/draad aandrijfmotor defect	• Neem contact op met de geautoriseerde service
De draadaanvoermotor werkt, maar de draad gaat niet vooruit	• Draadaanvoerrollen niet geselecteerd op basis van draaddiameter	• Selecteer de juiste draadopvoerhaspel
	• Te weinig druk op de draadaanvoerrollen	• Stel de juiste drukrolinstelling in
Niet goed gelast	• Maat contactsproeier verkeerd gekozen of beschadigd	• Vervang het contactmondstuk
	• Lage druk van de drukrollen	• Stel de juiste drukrolinstelling in
	• Te veel of te weinig beschermend gas	• Controleer het gebruikte gas en de afstelling ervan. Raadpleeg een erkend servicecentrum als gasafstelling niet mogelijk is
	• Lasparameters zijn niet juist gekozen	• Verander uw instellingen voor voltage en draadsnelheid
De bronstroom is niet stabiel en/of niet geregeld	• De aardtang van de machine is niet verbonden met het werkstuk	• Zorg ervoor dat de machine is aangesloten op het deel van de aardklem
	• Kabels en aansluitpunten zijn beschadigd	• Controleer of de kabels goed vastzitten en de aansluitpunten niet gecorrodeerd zijn.
	• Verkeerde parameter en proces geselecteerd	• Controleer of de parameter- en processelectie juist is
	• Elektrodepool- en stroomsterktewaarden zijn onjuist (MMA-lassen)	• Controleer de pool waarop de elektrode moet worden aangesloten en de stroomwaarde die op de machine moet worden ingesteld
	• Wolframtip versleten (bij TIG-lassen)	• Zorg ervoor dat de wolframtip schoon is
	• Beschadigde lastoorts (MIG, TIG lassen)	• Controleer of de lastoorts goed vastzit
	• Elektronische kaartstoring	• Neem contact op met de geautoriseerde service
Ventilator werkt niet	• Elektronische kaart / ventilatorstoring	• Neem contact op met de geautoriseerde service

Storing	Oorzaak	Oplossing
Het scherm geeft een waarde van 0000 weer.	<ul style="list-style-type: none"> Lasparameters zijn niet juist gekozen 	<ul style="list-style-type: none"> Alle parameters zoals draadtype, gastype, enz. moeten geselecteerd worden op basis van uw lasmethode

4.3 Foutcodes

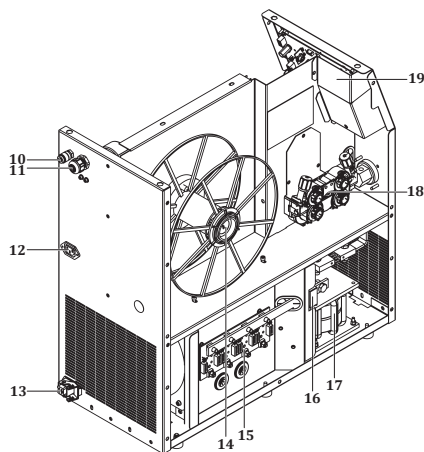
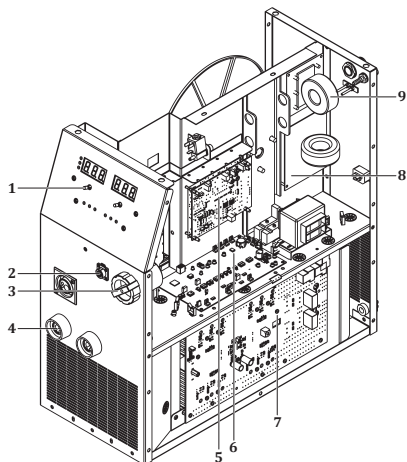
Foutcode	Fout	Oorzaak	Oplossing
E01	Communicatie fout	<ul style="list-style-type: none"> Er kunnen problemen optreden op verschillende punten in de machine 	<ul style="list-style-type: none"> Neem contact op met de geautoriseerde service
E02	Thermische bescherming	<ul style="list-style-type: none"> Uw apparaat heeft mogelijk de activeringsfrequentie overschreden 	<ul style="list-style-type: none"> Laat het apparaat afkoelen. Als de storing verdwijnt, probeer dan lagere stroomsterktes te gebruiken. Als het probleem aanhoudt, neem dan contact op met de erkende serviceafdeling
		<ul style="list-style-type: none"> De ventilator werkt mogelijk niet 	<ul style="list-style-type: none"> Controleer visueel of de ventilator werkt of niet. Als het probleem aanhoudt, neem dan contact op met de erkende serviceafdeling
		<ul style="list-style-type: none"> Luchtinlaat- en luchtuitlaatkanalen kunnen geblokkeerd zijn 	<ul style="list-style-type: none"> Open de voorkant van de luchtkanalen
		<ul style="list-style-type: none"> De werkomgeving van de machine kan te warm of benauwd zijn 	<ul style="list-style-type: none"> Zorg ervoor dat de werkomgeving van de machine niet te warm of benauwd is
E03	Overstroomfout	<ul style="list-style-type: none"> De machine heeft mogelijk te veel stroom getrokken 	<ul style="list-style-type: none"> Neem contact op met de geautoriseerde service
		<ul style="list-style-type: none"> Er kunnen problemen optreden op verschillende punten in de machine 	<ul style="list-style-type: none"> Neem contact op met de geautoriseerde service
E04	Netspanning Laag	<ul style="list-style-type: none"> De netspanning kan gedaald zijn 	<ul style="list-style-type: none"> Controleer de netaansluitkabels en de spanning. Zorg voor de juiste spanningsingang. Als de netspanning normaal is, neem dan contact op met de erkende serviceafdeling
E05	Leesfout temperatuursensor	<ul style="list-style-type: none"> De temperatuursensor is mogelijk kapot of er is mogelijk een probleem met de elektrische verbinding. 	<ul style="list-style-type: none"> Neem contact op met de geautoriseerde service
E06	Netspanning Hoog	<ul style="list-style-type: none"> De netspanning kan toegenomen zijn 	<ul style="list-style-type: none"> Controleer de netaansluitkabels en de spanning. Zorg voor de juiste spanningsingang. Als de netspanning normaal is, neem dan contact op met de erkende serviceafdeling



BIJLAGEN

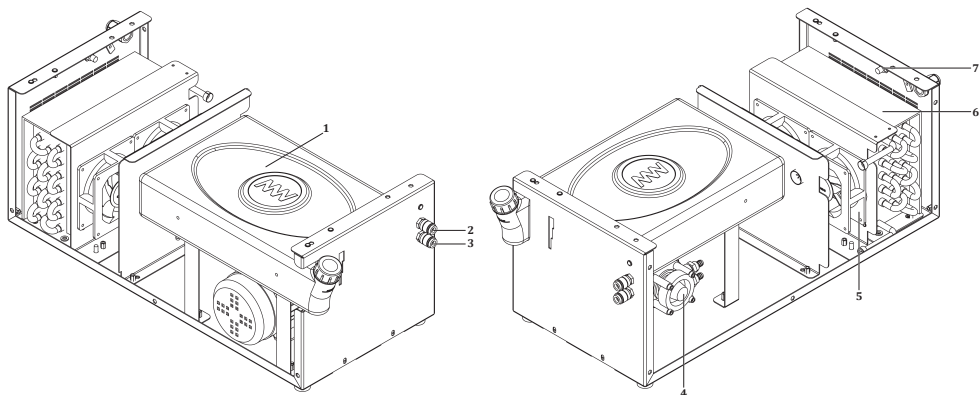
5.1 Lijsten met reserveonderdelen

Lijst met reserveonderdelen voor de voeding



NO	BESCHRIJVING	MATERIAAL CODE
1	Potknop	A229500001
2	Aansluiting	A378000103
3	Schakelknop	A308900004
4	Lassen stopcontact	A377900106
5	Elektronische printplaat E121A-2	K405000230
6	Elektronische printplaat E206A-CNT3P	K405000324
7	Elektronische printplaat E206A-1	K405000253
8	Elektronische printplaat E202A-FLT4	K405000254
9	Rs-filter voor elektronische kaart	K405000262
10	Gasklephuls	A256000609
11	Plastic mouw	A376400016
12	Aansluiting voor voeding	A378000050
13	Aansluiting	A378002002
14	Sistema de rodillos de transporte de alambre 3-Link	A229900003
15	Elektronische printplaat E202A-4A	K405000255
16	Elektronische printplaat E121A-2	K405000230
17	Schokspoel	A421050002
18	Draadaanvoersysteem	K3090002213
19	Elektronische printplaat E309A-3A	K405000312
	Elektronische printplaat E309A-3B	K405000313

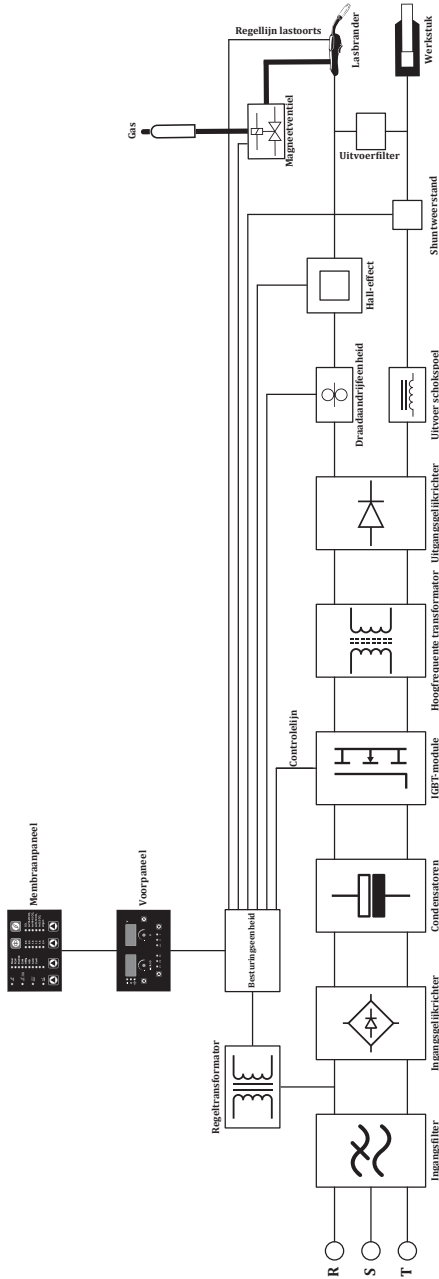
Onderdelenlijst waterkoeleenheid



NL

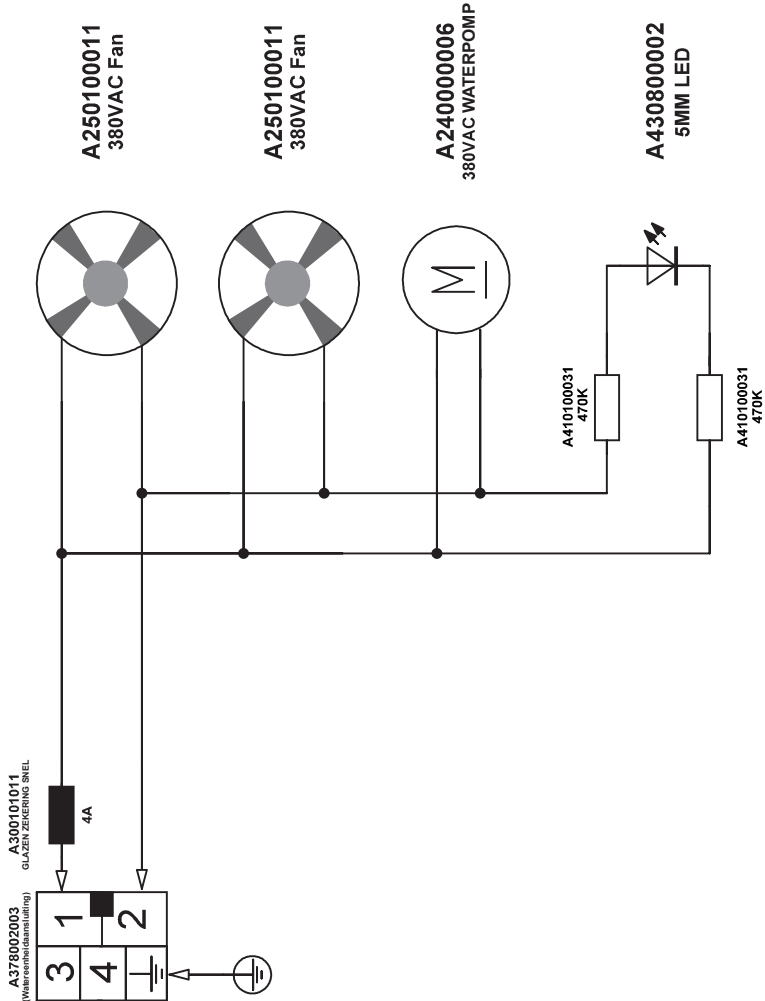
NO	BESCHRIJVING	MATERIAAL CODE
1	Watertank	A249000005
2	Snelkoppeling Blauw	A245700003
3	Snelkoppeling Rood	A245700002
4	Waterpomp	A240000006
5	Fan	A250001126
6	Radiator	A260000010
7	Glazen zekeringgleuf	A300190001
8	Glaszekering Snel	A300101011

5.2 Blokdiagram



NL

5.3 Schakelschema waterunit



NL

PRODUCT INFORMATION**Model****Serial Number****MANUFACTURER****Name**

MAGMA MEKATRONİK MAKİNE SANAYİ VE TİCARET A.Ş.

Address

Organize Sanayi Bölgesi 5. Kısım MANİSA

Phone / E-mail

+90 236 226 27 00 / info@magmaweld.com

PURCHASE INFORMATION**Dealer Name****City / Country****Phone / E-mail****Purchase Date****CUSTOMER INFORMATION****Company Name****City / Country****Phone / E-mail****Contact Name****SERVICE INFORMATION (if applicable)****Company Name****Technician's Name****Commissioning Date**
(Warranty Start Date)

Please visit our web site www.magmaweld.com/warranty-terms/wt for warranty terms.

المحتويات

284	قواعد السلامة	
	المعلومات التقنية	1
289	الأوصاف العامة	1.1
289	مكونات الآلة	1.2
291	ملصق المنتج	1.3
292	المواصفات الفنية	1.4
293	الملحقات	1.5
	معلومات التثبيت	2
294	الأمر التي يجب مراعاتها عند التسليم	2.1
294	توصيات التثبيت والتشغيل	2.2
295	توصيلات اللحام	2.3
295	توصيل قابس الكهرباء	2.3.1
295	توصيل كهاشة التأريض بقطعة العمل	2.3.2
295	توصيلات الغاز	2.3.3
295	وحدة تبريد المياه	2.3.4
	معلومات الاستخدام	3
297	واجهة المستخدم	3.1
299	هيكلية القائمة	3.2
304	جهاز التحكم عن بعد	3.3
305	ضبط طول القوس (Arc)	3.4
305	منحنى اللحام القوسي المعدني المحجب بغاز حامل MIG	3.5
306	التوصيل بالتيار الكهربائي	3.6
306	اختيار واستبدال أسطوانة تغذية الأسلاك	3.7
307	إدخال بكره السلك وتغذية السلك	3.8
308	ضبط تدفق الغاز	3.9
309	مميزات الآلة	3.10
310	قيمة الاستهلاك	3.11
	معلومات الصيانة والأعطال	4
311	الصيانة	4.1
312	استكشاف الأخطاء وإصلاحها	4.2
313	رموز الأخطاء	4.3
	المرفقات	5
314	قوائم قطع الغيار	5.1
316	مخطط الكتلة	5.2
317	مخطط دائرة وحدة المياه	5.3

قواعد السلامة

اتبع جميع قواعد السلامة المدرجة في الدليل!

- التعرف بمعلومات السلامة
- تُستخدم رموز السلامة في الدليل لتحديد المخاطر المحتملة.
- عند ظهور أي رمز سلامة في هذا الدليل، يجب أن يكون مفهوماً أنَّ هناك خطر حدوث إصابة ويجب تجنب المخاطر المحتملة من خلال قراءة التفسيرات التالية بعناية.
- يكون مالك الآلة مسؤولاً عن منع الأشخاص غير المصرح لهم من الوصول إلى الجهاز.
- يجب أن يكون الأشخاص الذين يستخدمون الآلة من ذوي الخبرة أو مدربين تدريباً كاملاً في اللحام / القطع. يجب قراءة دليل المستخدم واتباع تحذيرات السلامة قبل العمل.



التعريف برموز السلامة

احذر



يشير إلى موقف يحتمل أن يكون خطيراً قد يؤدي إلى إصابة أو تلف. إذا لم يتم اتخاذ أي إجراء، فقد يتسبب ذلك في إصابة أو خسارة / ضرر مادي.

هام



يشير إلى معلومات وتحذيرات الاستخدام.

خطر



يشير إلى خطر جسيم. إذا لم يتم تجنبه، فقد يؤدي ذلك إلى الوفاة أو إصابة خطيرة.

فهم تحذيرات السلامة



- اقرأ دليل المستخدم والمصقات وتحذيرات السلامة الموجودة على الجهاز بعناية.
- تأكد من أنَّ ملصقات التحذير الموجودة على الجهاز في حالة جيدة. استبدل الملصقات المفقودة أو التالفة.
- تعرف على كيفية تشغيل الجهاز وكيفية عمل الضوابط بشكل صحيح.
- استخدم جهازك في بيئات عمل مناسبة.
- ستؤثر التغييرات غير الملائمة التي يمكن إجراؤها على جهازك سلبيًا من ناحية التشغيل الآمن للجهاز وعمره.
- الشركة المصنعة غير مسؤولة عن عواقب تشغيل الجهاز خارج الشروط المحددة.

يمكن للصدّات الكهربائية أن تسبب الموت



تأكد من أنَّ إجراءات التثبيت تتوافق مع المعايير الكهربائية الوطنية واللوائح الأخرى ذات الصلة، وقم بتثبيت الجهاز بواسطة أشخاص معتمدين.

- إرتدي قفازات ومريول عمل جاف ومعزول جيدًا. لا تستخدم أبدًا قفازات ومريول عمل مبللة أو تالفة.
- إرتد ملابس واقية مقاومة للهب ضد مخاطر الاحتراق. يجب أن تكون الملابس التي يستخدمها المشغل واقية من الشرر والتناثر وإشعاع القوس.
- لا تعمل مفردك. في حالة وجود خطر، تأكد من وجود شخص ما في المنطقة التي تعمل معها للإبلاغ عن أي حادث.
- لا تلمس القطب الكهربائي بيديك. لا تسمح لحامل القطب الكهربائي أو القطب الكهربائي بالتلامس مع أي شخص أو جسم مؤرض.
- لا تلمس أبدًا الأجزاء الناقلة للكهرباء.
- إذا كنت على اتصال بقطب كهربائي متصل بسطح عمل أو بأرضية أو بألة أخرى، فلا تلمس القطب الكهربائي مطلقاً.
- يمكنك حماية نفسك من الصدمات الكهربائية المحتملة عن طريق عزل نفسك عن سطح العمل والأرضية. استخدم مادة عازلة غير قابلة للاحتراق، عازلة كهربائيًا، جافة، غير تالفة، وكبيرة بما يكفي لقطع اتصال المشغل بسطح العمل.
- لا تقم بتوصيل أكثر من قطب كهربائي واحد بحامل القطب.
- قم بتوصيل كمامة التاريز بقطعة العمل أو طاولة العمل في أقرب وقت ممكن لضمان اتصال جيد بين المعدن إلى المعدن.
- افحص الشعلة قبل تشغيل الجهاز. تأكد من أن الشعلة وكابلاتها في حالة جيدة. تأكد من استبدال الشعلة التالفة أو البالية.
- لا تلمس حوامل الأقطاب الكهربائية المتصلة بجهازين مختلفين في نفس الوقت حيث سيكون هناك جهد دائري مزدوج مفتوح.
- احتفظ بالجهاز مغلقًا وافصل الكابلات في حالة عدم استخدامها.
- افصل جميع توصيلات الطاقة و / أو المقابس أو قم بإيقاف تشغيل الجهاز قبل إصلاح الجهاز.
- كن حذرًا عند استخدام كابل التيار الكهربائي الطويل.
- تأكد من أن جميع التوصيلات محكمة ونظيفة وجافة.
- تأكد من أن الكابلات جافة ونظيفة وغير مزينة. يجب الحماية من الأجزاء المعدنية الساخنة والشرر.
- تشكل الأسلاك العارية غير المعزولة خطرًا مميتًا. تحقق بشكل متكرر من جميع الكابلات بحثًا عن أي تلف محتمل. في حالة اكتشاف كابل تالف أو غير معزول، قم بإصلاحه أو استبداله على الفور.
- إذا لم تكن كمامة التاريز متصلة بقطعة العمل، فقم بعزلها لتجنب ملامستها لأي أجسام معدنية.
- تأكد من أن تاريز خط الطاقة يتم بشكل صحيح.
- لا تستخدم مخرج لحام التيار المتردد في المناطق المبللة أو الرطبة أو الضيقة وحيث يوجد خطر السقوط.
- استخدم مخرج التيار المتردد فقط عند الضرورة لعملية اللحام.

- عندما يكون خرج التيار المتردد مطلوبًا، استخدم وحدة التحكم عن بعد إذا كانت متوفرة على ألتك.
- اتخذ احتياطات أمان إضافية عند وجود أحد المخاطر الكهربائية التالية؛
- عندما تكون في أماكن رطبة أو ترتدي ملابس مبللة،
- أثناء تواجدك على الأرضيات المعدنية أو الشبكات أو هياكل السقالات،
- عندما تكون في أوضاع ضيقة مثل الجلوس أو الركوع أو الاستلقاء،
- عندما يكون خطر التلامس مع قطعة العمل أو الأرض مرتفعًا أو لا مفر منه.
- في هذه الحالات، يمكن استخدام المعدات التالية؛
- آلة لحام قوسي معدني محجب بغاز حامل بجهد ثابت شبه أوتوماتيكي ذات تيار مباشر ،
- آلة لحام قوسي كهربائي محجب يدوية ذات تيار مباشر ،
- إذا تواجدت آلة لحام تيار مباشر أو تيار متردد بجهد كهربائي منخفض ذو الدائرة المفتوحة (VRD).

- أشياء يجب القيام بها في حالة الصدمة الكهربائية.
- أفضل الطاقة الكهربائية.
- استخدم مواد غير موصلة للكهرباء، مثل الخشب الجاف، لتحرير المصاب بالصدمة من الأسلاك أو الأجزاء الناقلة للكهرباء.



- اتصل بخدمة الطوارئ.
- إذا كان لديك تدريب على الإسعافات الأولية؛
- إذا كان المصاب لا يتنفس، فقم بإجراء الإنعاش القلبي الرئوي على الفور بعد قطع الاتصال بالمصدر الكهربائي. استمر في الإنعاش القلبي الرئوي حتى يبدأ التنفس أو تصل المساعدة.
- استخدم جهاز إزالة رجفان القلب الإلكتروني (AED) وفقًا للتوجيهات عند توفره.
- عالج الحروق الكهربائية، مثل الحروق الحرارية، عن طريق وضع الكمادات الباردة.
- منع العدوى وتغطيتها بقطعة قماش جافة ونظيفة.

AR

- يمكن أن تتسبب الأجزاء المتحركة عن الأجزاء المتحركة.
- احرص على أن تكون جميع الأغطية والألواح والأبواب وما إلى ذلك لآلة والأجهزة مغلقة ومقفل.
- ارتدِ أحذية ذات أصابع معدنية ضد احتمال سقوط أشياء ثقيلة.



من الخطير جدًا استنشاق الدخان والغاز المنبعث أثناء عملية اللحام والقطع لفترة طويلة.

- الإحساس بالحرقان والتهيج في العين والأنف والحلق هي علامات على عدم كفاية التهوية. في مثل هذه الحالة، قم بزيادة التهوية على الفور، إذا استمرت المشكلة، توقف عن اللحام / القطع.
- قم بإنشاء نظام تهوية طبيعي أو اصطناعي في منطقة العمل.
- استخدم نظام شفط دخان مناسب حيث يتم اللحام / القطع.
- إذا لزم الأمر، قم بتثبيت نظام يمكنه طرد الأبخرة والغازات المتراكمة في ورشة العمل بأكملها. استخدم نظام ترشيح مناسب لتجنب تلوث البيئة أثناء التفريغ.
- إذا كنت تعمل في أماكن ضيقة ومغلقة أو إذا كنت تقوم بلحام الرصاص أو البريليوم أو الكاديوم أو الزنك أو المواد المخلفة أو المطيعة، فاستخدم أجهزة التنفس التي توفر الهواء النقي بالإضافة إلى الاحتياطات المذكورة أعلاه.
- إذا تم تجميع أسطوانات الغاز في منطقة منفصلة، فتأكد من وجود تهوية جيدة في هذه المناطق، وحافظ على الصمامات الرئيسية مغلقة عندما لا تكون أسطوانات الغاز قيد الاستخدام، واحترس من تسرب الغاز.
- الغازات الواقية مثل الأرجون أكثر كثافة من الهواء ويمكن استنشاقها بدلاً من الهواء إذا تم استخدامها في الداخل. هذا يشكل خطر على صحتك.
- لا تقم بإجراء عمليات اللحام / القطع في وجود أبخرة هيدروكربونية مكثورة تنطلق أثناء عمليات التشحيم أو الطلاء.
- تتطلب بعض الأجزاء الملمومة / المقطوعة تهوية خاصة. يجب قراءة قواعد السلامة الخاصة بالمنتجات التي تتطلب تهوية خاصة بعناية. يجب ارتداء قناع غاز مناسب في الحالات التي يتوجب فيها ارتداء قناع الغاز.

يمكن أن يكون الدخان والغازات ضارة بصحتك



- يمكن أن يضر ضوء القوس والتناثر عينيك وجلدك
- لحماية عينيك ووجهك، استخدم قناع واقى قياسي وفلتر زجاجي مناسب.
- احص الأجزاء المكتشفة الأخرى من جسمك (الذراعين والرقبة والأذنين، إلخ) من القوس والتناثر باستخدام ملابس واقية مناسبة.
- قم بإحاطة منطقة عملك بنشاطات مقاومة للاشتعال أعلى من مستوى العين وقيم بتعليق علامات التحذير حتى لا يتضرر الأشخاص من حولك من أشعة القوس والمعادن الساخنة.
- لا تقم باستخدام الآلة لتسخين الأنابيب المجمدة. ستؤدي هذه العملية باستخدام آلة لحام / قطع إلى حدوث انفجار أو حريق أو تلف المعدات الخاص بك.



يمكن للشرارات والتناثر أن • تسبب العمليات مثل اللحام / القطع وصل القطع والتنظيف بالفرشاة في حدوث شرر وتناثر جزيئات معدنية. ارتد نظارات أمان تؤذي عينيك مع دروع جانبية تحت القناع الواقي لمنع الإصابة المحتملة.



يمكن أن تسبب الأجزاء الساخنة • لا تلمس الأجزاء الساخنة بيديك. أعط أجزاء الآلة الوقت لتبرد قبل العمل عليها. عندما تحتاج إلى التعامل مع الأجزاء الساخنة، استخدم الأدوات المناسبة وقفازات اللحام / القطع ذات العزل الحراري العالي والملابس المقاومة للحريق.



يمكن للضوضاء أن تضر • يمكن أن تسبب الضوضاء الناتجة عن بعض المعدات والعمليات الضعيف لسمعك. إذا كان مستوى الضوضاء مرتفعاً، قم بارتداء واقيات الأذن المعتمدة.



يمكن أن يتسبب سلك • لا توجه الشعلة إلى أي جزء من الجسم أو الأشخاص الآخرين أو أي معدن أثناء فك سلك اللحام. احص عينيك ووجهك أثناء القيام بعملية فك سلك اللحام يدوياً، خاصة بأقطار رقيقة، قد يقفز السلك من يدك مثل النابض، قد يؤدي أو يضر الآخرين من حولك.



يمكن أن تسبب عملية • لا تقم أبداً باللحام / القطع بالقرب من المواد القابلة للاشتعال. قد يؤدي ذلك إلى نشوب حرائق وانفجارات. اللحام / القطع في نشوب • قبل البدء في عملية اللحام / القطع، قم بإزالة هذه المواد من الوسط المحيط أو قم بتغطيتها بأغطية واقية لمنعها من الاحتراق حرائق وانفجارات • تطبيق القواعد الخاصة الوطنية والدولية في هذه المجالات.



لا تقم بعملية لحام / قطع الأنابيب أو المواسير المغلقة تمامًا. • قبل لحام / قطع الأنابيب والحاويات المغلقة، افتحها وفرغها بالكامل وقم بتهوئتها ونظفها. تولى أقصى قدر من العناية الممكنة عند اللحام / القطع في مثل هذه الأماكن. لا تقم بلحام / قطع الأنابيب أو المواسير التي تحتوي على مواد قد تسبب انفجاراً أو حريقاً أو تفاعلات أخرى ، حتى لو كانت فارغة. يتم إنتاج درجة حرارة عالية أثناء عملية اللحام / القطع. لذلك، لا تقم بتطبيقه على الأسطح القابلة للاشتعال أو التالفة بسهولة! يمكن أن تسبب الشرر والقطع المتناثرة في نشوب حريق. لهذا السبب، احتفظ بملوّد مثل أنابيب مظافة الحريق والمياه والرمل في متناول اليد. استخدم صمامات الفحص ومنظمات الغاز والصمامات في دوائر الغاز القابلة للاشتعال والانفجار والمضغوطة. تأكد من فحصها بشكل دوري وأنها تعمل بشكل صحيح.

قد تسبب صيانة الآلات • يجب عدم إصلاح الأجهزة الكهربائية بواسطة أشخاص غير مصرح لهم بذلك. يمكن أن تؤدي الأخطاء التي يتم ارتكابها هنا إلى إصابة والأجهزة من قبل أشخاص خطيرة أو الوفاة أثناء الاستخدام. غير مصرح لهم في حدوث • تعمل عناصر دائرة الغاز تحت الضغط؛ قد تحدث الانفجارات نتيجة للخدمات التي يقدمها أشخاص غير مصرح لهم، يمكن أن يصاب إصابات • يوصى بإجراء الصيانة الفنية للآلة ووحداتها الطرفية مرة واحدة على الأقل في السنة.



اللحام / القطع في الأماكن • تأكد من إجراء عمليات اللحام / القطع برفقة شخص آخر في الأماكن ذات الحجم الصغير والمغلقة. الضيقة ذات الحجم الصغير • تجنب عمليات اللحام / القطع في مثل هذه الأماكن المغلقة قدر الإمكان.



قد يؤدي عدم اتخاذ • اتخذ جميع الاحتياطات اللازمة أثناء نقل الآلة. يجب أن تكون المناطق المراد نقلها والظروف المادية وصحة الأجزاء التي سيتم الاحتياطات اللازمة أثناء استخدامها في النقل والشخص الذي سينفذ النقل مناسبة لعملية النقل. بعض الآلات ثقيلة للغاية ، لذلك ، يجب التأكد من اتخاذ تدابير السلامة البيئية اللازمة أثناء تغيير الأماكن. النقل إلى وقوع حوادث • في حالة استخدام الآلة على منصة، يجب التحقق من أن هذه المنصة لها حدود مناسبة لتحميل الحمولة.



- إذا كان سيتم نقلها بمساعدة مركبة (عربة نقل، رافعة شوكية، وما إلى ذلك)، فتأكد من أن السيارة ونقاط الاتصال التي تربط الآلة بالمركبة (علاقة الحمل، الحزام، المزلاج، الصمولة، العجلة، إلخ) سليمة.
- في حالة إجراء النقل اليدوي، تأكد من أن أجزاء الآلة (علاقة الحمل والحزام وما إلى ذلك) والتوصيلات سليمة.
- يرجى مراعاة قواعد منظمة العمل الدولية فيما يتعلق بوزن النقل وأنظمة النقل في بلدك من أجل ضمان ظروف النقل الضرورية.
- استخدم دائماً المقابض أو حلقات الحمل عند تغيير مكان مصدر الطاقة. لا تسحب أبداً بواسطة المشاعل أو الكابلات أو الخراطيم.
- احمل دائماً أسطوانات الغاز بشكل منفصل.
- قم بإزالة جميع الوصلات البينية قبل نقل معدات اللحام / القطع، وبشكل منفصل قم بنقل وتحريك الأصغر من السفينان، والأكبر من حلقات الحمل أو باستخدام معدات الرفع المناسبة مثل الرافعة الشوكية.

يمكن أن تتسبب الأجزاء المتساقطة في حدوث إصابات



- يمكن أن يؤدي الوضع غير الصحيح لمصدر الطاقة أو أي معدات أخرى إلى حدوث إصابات خطيرة للأشخاص وإحراق الأضرار بالممتلكات للأشياء الأخرى.
- ضع ألتك على أرضيات ومنصات ذات ميل أقصى يبلغ 10 درجات حتى لا تسقط أو تتقلب. اختر مناطق لا تعيق تدفق المواد، لا تشكل احتمالية خطر من التعرض في الكابلات والخراطيم، غير قابلة للحركة؛ لكن أن تكون مناطق كبيرة وسهلة التهوية وخالية من الغبار.
- قم بتثبيتها على منصة بالنسبة الآلات التي تحتوي على منصة غاز مناسبة للأسطوانات، وفي الاستخدامات الثابتة، قم بتثبيتها على الحائط بسلسلة حتى لا تسقط وذلك لمنع أسطوانات الغاز من الانقلاب.
- تزويد المشغلين بوصول سهل إلى الإعدادات والتوصيلات في الآلة.

يؤدي الاستخدام المفرط إلى ارتفاع درجة حرارة الآلة



- اترك الآلة لتبرد وفقاً للمعدلات دورة العمل.
- قم بتقليل نسبة دورة التشغيل أو التبار قبل بدء عملية اللحام / القطع مرة أخرى.
- لا تسد مداخل تهوية الآلة.
- لا تضع مرشحات في مداخل تهوية الآلة دون موافقة الشركة المصنعة.

AR

يمكن أن يتسبب لحام القوس الكهربائي في حدوث تداخل كهرومغناطيسي



- إن هذه الآلة من المجموعة 2، الفئة أ في اختبارات التوافق الكهرومغناطيسي وفقاً لمعيار TS EN 55011.
- هذه الآلة من الفئة "3" غير مخصصة للاستخدام في المناطق السكنية حيث يتم توفير الطاقة الكهربائية من تيار الجهد المنخفض.
- قد تكون هناك صعوبات محتملة في ضمان التوافق الكهرومغناطيسي بسبب تداخل الترددات الراديوية المرسل والمستمع في مثل هذه المواقع.



هذه الآلة غير متوافقة مع IEC 61000-3-12. يجب أن يكون المثبت الذي سُجري التوصيل الكهربائي أو الشخص الذي سيستخدم الآلة على علم باتصال الآلة، في حالة الرغبة في الاتصال بشبكة الجهد المنخفض المستخدمة في المنازل، في هذه الحالة، تقع المسؤولية على عاتق المستخدم.

- تأكد من توافق منطقة التشغيل مع التوافق الكهرومغناطيسي (EMC). قد تسبب التداخلات الكهرومغناطيسية التي قد تحدث أثناء عملية اللحام / القطع تأثيرات غير مرغوب فيها على أجهزتك الإلكترونية وتيارك الكهربائي. أي آثار ناتجة عن هذه التداخلات أثناء التشغيل هي من مسؤولية المستخدم.
- في حالة حدوث أي تداخل، لضمان الامتثال؛ يمكن اتخاذ احتياطات إضافية، مثل استخدام الكابلات القصيرة، أو استخدام الكابلات المحمية (المدرعة)، أو نقل الآلة إلى مكان آخر، أو إزالة الكابلات من الجهاز و / أو المنطقة المتضررة، أو استخدام مرشح، أو حماية منطقة العمل من حيث التوافق الكهرومغناطيسي.
- قم بإجراء عمليات اللحام / القطع لأبعد مسافة ممكنة (100 متر) من أجهزتك الإلكترونية الحساسة لتجنب أي تلف محتمل في التوافق الكهرومغناطيسي.
- تأكد من تثبيت ألتك ووضعها وفقاً لدليل التعليمات.


وفقاً لـ IEC 60974-9 بند 5.2؛

قبل تركيب معدات اللحام / القطع، يجب على المشغل و / أو المستخدم إجراء تحقيق في التداخل الكهرومغناطيسي المحتمل في البيئة.

يجب مراعاة المواصفات التالية؛

- أ) كابلات الإمداد الأخرى وكابلات الإشارة وكابلات الهاتف أعلى وأسفل ويجوار آلة اللحام / القطع ومعداتها،
 - ب) أجهزة الإرسال والاستقبال الإذاعية والتلفزيونية،
 - ج) الكمبيوتر ومعدات التحكم الأخرى،
 - د) معدات السلامة الحرجة، مثل حماية المعدات الصناعية،
 - هـ) الأجهزة الطبية للأشخاص حولها، على سبيل المثال أجهزة تنظيم ضربات القلب والأجهزة المساعدة على السمع،
 - و) المعدات المستخدمة للقياس أو المعايرة.
 - ز) حضانة الأجهزة الأخرى في بيئة العمل. يجب على المستخدم التأكد من أن المعدات الأخرى المستخدمة في البيئة متوافقة. قد يتطلب هذا تدابير حماية إضافية،
 - ح) يمكن توسيع حدود منطقة الدراسة وفقاً لحجم البيئة وهيكل المبنى والأنشطة الأخرى التي يتم تنفيذها في المبنى، مع مراعاة وقت عملية اللحام / القطع خلال اليوم.
- بالإضافة إلى التقييم الميداني، قد يكون تقييم تركيبات الجهاز ضرورياً أيضاً لحل الاضطراب. عند الضرورة، يمكن أيضاً استخدام القياسات في الموقع لتأكيد كفاءة تدابير التخفيف. (المصدر: IEC 60974-9).



- طرق تقليل الضوضاء**  
- يجب توصيل الآلة بالتيار الكهربائي على النحو الموصى به ومن قبل شخص مخول. في حالة حدوث تداخل ، يمكن تطبيق تدابير إضافية ، مثل تصفية التيار. يجب أن يتم توريد معدات اللحام القوسي المركب بشكل دائم من خلال قناة معدنية أو كابل محمي مكافئ.
 - يجب توصيل شاشة العرض وغطاء مصدر الطاقة ويجب الحفاظ على اتصال كهربائي جيد بين هذين الهيكلين.
 - ينبغي إجراء الصيانة الروتينية الموصى بها للآلة. يجب إغلاق و / أو قفل جميع أغلفة الهيكل عندما تكون الآلة قيد الاستخدام. لا يمكن إجراء أي تعديلات أو تعديلات على الآلة بخلاف الإعدادات القياسية دون موافقة خطية من الشركة المصنعة. خلاف ذلك ، يكون المستخدم مسؤولاً عن أي عواقب قد تحدث.
 - يجب أن تكون كابلات اللحام / القطع قصيرة قدر الإمكان. يجب أن يتم تمديدها جنباً إلى جنب من أرضية منطقة العمل. يجب عدم لف كابلات اللحام / القطع بأي شكل من الأشكال.
 - يتم إنشاء مجال مغناطيسي في الآلة أثناء اللحام / القطع. قد يتسبب ذلك في قيام الآلة بسحب الأجزاء المعدنية عليها. تأكد من أن المواد المعدنية على مسافة آمنة أو ثابتة لمنع هذا السحب. يجب عزل المشغل عن كل هذه المواد المعدنية المترابطة.
 - يمكن أن يؤدي الارتباط بين قطعة العمل والأرض إلى تقليل الانبعاثات في بعض الحالات التي لا يتم فيها توصيل قطعة العمل بالأرض من أجل السلامة الكهربائية أو بسبب حجمها وموقعها (على سبيل المثال ، هيكل السفينة أو تصنيع الإنشاءات الفولاذية). وتجدد الإشارة إلى أن تأريض قطعة العمل قد يتسبب في إصابة المستخدمين أو حدوث خلل في المعدات الكهربائية الأخرى في البيئة. عند الضرورة ، يمكن إجراء اتصال الأرض بقطعة العمل في شكل اتصال مباشر ، ومع ذلك ، في بعض البلدان التي لا يُسمح فيها بالاتصال المباشر ، يمكن إنشاء الاتصال باستخدام عناصر السعة المناسبة وفقاً للأنظمة واللوائح المحلية.
 - يمكن أن يؤدي تدريع وحماية الأجهزة والكابلات الأخرى في منطقة العمل إلى منع التأثيرات التخريبية. يمكن تقييم حماية منطقة اللحام / القطع بأكملها لبعض التطبيقات المحددة.

المجال الكهرومغناطيسي (EMF)



- التيار الكهربائي الذي يمر عبر أي موصل يخلق مجالات كهربائية ومغناطيسية محلية (EMF). يجب على المشغلين اتباع الإجراءات الواردة أدناه لتقليل المخاطر التي يشكلها التعرض للمجالات الكهرومغناطيسية :
- يجب تجميع كابلات اللحام / القطع معاً لتقليل المجال المغناطيسي ، ويجب تأمينها بمواد ربط (شريط لاصق ، ربطه كبل ، إلخ) قدر الإمكان.



- يجب إبقاء جسم المشغل ورأسه بعيداً عن آلات اللحام / القطع والكابلات قدر الإمكان ،
 - يجب عدم لف أسلاك اللحام / القطع والكابلات الكهربائية حول الجسم بأي شكل من الأشكال.
 - يجب ألا يكون الجسم محاصراً بين كابلات اللحام / القطع. يجب إبقاء كابلات اللحام / القطع بعيدة عن الجسم، وبجانب بعضها.
 - يجب توصيل كابل الإرجاع بقطعة العمل في أقرب مكان ممكن من منطقة اللحام / القطع ،
 - لا تتكئ على وحدة الطاقة أو تجلس عليها أو تعمل بالقرب منها ،
 - يجب عدم القيام بعملية اللحام / القطع أثناء نقل وحدة الطاقة أو وحدة مغذي الأسلاك.
- يمكن أن تضعف المجالات الكهرومغناطيسية أيضاً تشغيل الفرسات الطبية (مادة توضع داخل الجسم) مثل أجهزة تنظيم ضربات القلب. يجب اتخاذ تدابير وقائية للأشخاص الذين لديهم فرسات طبية. على سبيل المثال، يمكن وضع قيود وصول للمارة أو تقييمات المخاطر الفردية للمشغلين. يجب إجراء تقييم للمخاطر وتوصية بواسطة أخصائي طبي للمستخدمين الذين لديهم فرسات طبية.

- لا تعرض الجهاز للمطر أو رذاذ الماء أو البخار المضغوط.



- كفاءة الطاقة**  
- اختر الطريقة والآلة المناسبة لعملية اللحام / القطع التي ستقوم بها.
 - حدد التيار و / أو الجهد المناسب للمادة والسماكة التي ستقطعها.
 - في حالة الانتظار لفترة طويلة بدون لحام / قطع ، قم بإيقاف تشغيل الآلة بعد أن تبرد مروحة الجهاز. ستوقف آلاتنا ذات التحكم الذاتي بالمروحة من تلقاء نفسها.

- إجراء التخلص من النفايات
- إن هذه الآلة ليس نفايات منزلية. يجب أن يتم توجيهها لإعادة التدوير في إطار القانون الوطني مع توجيهات الاتحاد الأوروبي. احصل على معلومات من الوكيل والأشخاص المعتمدين حول إدارة نفايات آتلك المستعملة.



نموذج الضمان

يرجى زيارة موقعنا على الإنترنت www.magmaweld.com/warranty-form/wr للحصول على نموذج الضمان.

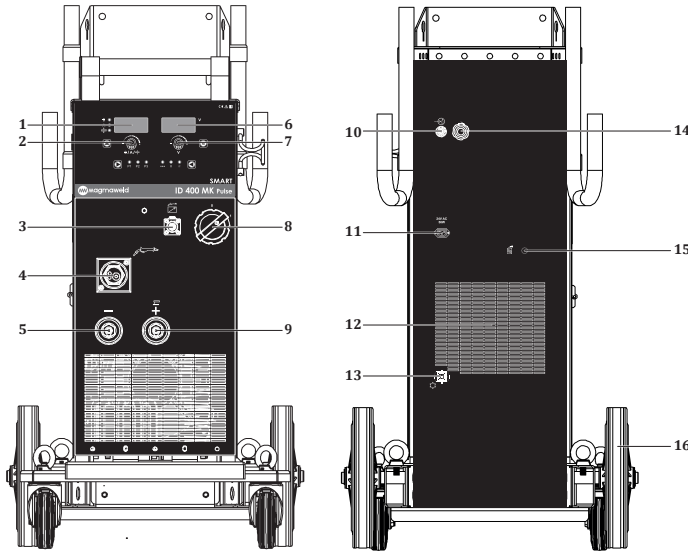


المعلومات التقنية

1.1 الأوصاف العامة

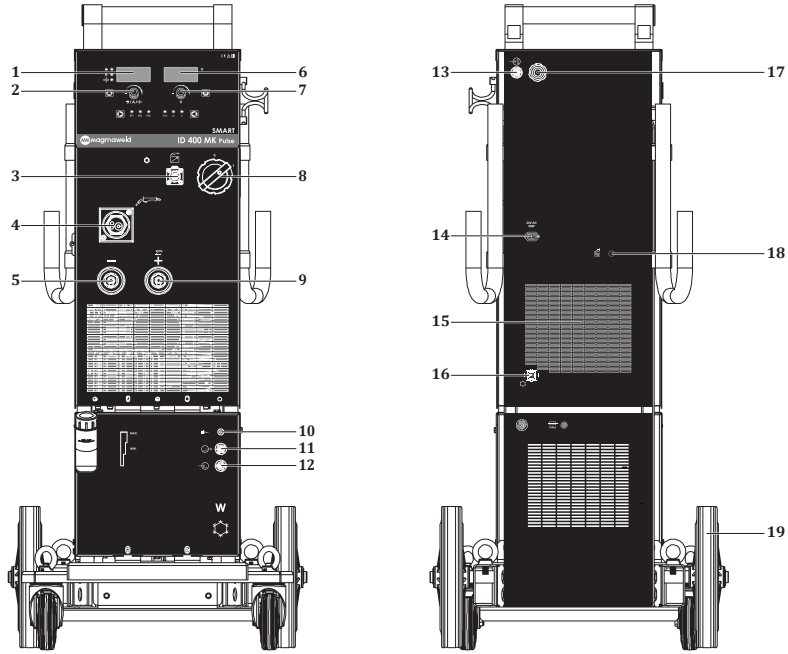
ID 300 MK / MKW PULSE SMART ، ID 400 MK / MKW PULSE SMART عبارة عن آلة لحام MIG / MAG ذات عاكس ثلاثي المراحل مع تقنية النبض ، مصممة للظروف الصعبة. إنه يوفر حركة سهلة بفضل هيكله المضغوط. تتميز بخصائص لحام ممتازة مع جميع الأسلاك الصلبة والمحفور. مصدر طاقة CC / CV ؛ يسمح لك بأداء طرق اللحام MIG و TIG و MMA وقطع الكربون باستخدام آلة واحدة. بفضل ميزة التأزر ، يتم ضبط تيار اللحام والجهد تلقائيًا بعد تحديد نوع السلك وسمكه ونوع الغاز. تسهل الأوضاع الكلاسيكية والذكية على المستخدم التكيف مع الوضع التأزري.

1.2 مكونات الآلة



الشكل 1: معرّف ID 300 MK PULSE SMART / ID 400 MK PULSE SMART ذو مظهر أمامي وخلفي

- | | |
|------------------------|-----------------------------|
| 1- شاشة رقمية يسرى | 9- وصلة القطب الكهربائي (+) |
| 2- وعاء التعديل | 10- مدخل الغاز |
| 3- مقبس البيانات | 11- مقبس بريز التدفئة |
| 4- وصلة الشعلة | 12- معجب |
| 5- وصلة القطب | 13- مقبس طاقة وحدة المياه |
| 6- شاشة رقمية صحيحة | 14- كبل التيار الكهربائي |
| 7- وعاء التعديل | 15- إدخال السلك |
| 8- مفتاح تشغيل / إيقاف | 16- العجلة |



الشكل 2: معرّف ID 300 MKW PULSE SMART / ID 400 MKW PULSE SMART ذو مظهر أمامي وخلفي

- | | |
|------------------------------------|-----------------------------|
| 11- مدخل الماء الساخن لوحدة المياه | 1- شاشة رقمية يسرى |
| 12- مخرج الماء البارد لوحدة المياه | 2- وعاء التعديل |
| 13- مدخل الغاز | 3- مقبس البيانات |
| 14- مقبس بريز التدفئة | 4- وصلة الشعلة |
| 15- معجب | 5- وصلة القطب |
| 16- مقبس طاقة وحدة المياه | 6- شاشة رقمية صحيحة |
| 17- كبل التيار الكهربائي | 7- وعاء التعديل |
| 18- إدخال السلك | 8- مفتاح تشغيل / إيقاف |
| 19- العجلة | 9- وصلة القطب الكهربائي (+) |
| | 10- لمبة إشارة وحدة المياه |

I.3 ملصق المنتج

MAGMA MEKATRONİK MAKİNE SAN. VE TİC. A.Ş. Organize Sanayi Bölgesi 5.Kısım Manisa-TÜRKİYE											
ID 300MK Pulse SMART					S/N:						
					EN 60974-1 / EN 60974-10 Class A						
50A / 22V - 300A / 32V					50A / 16.5V - 300A / 29V						
	---	X _(40C7)	40%	60%	100%		---	X _(40C7)	40%	60%	100%
	U _s =82V	I ₂	300A	245A	190A		U _s =82V	I ₂	300A	245A	190A
	U ₂	32V	29.8V	27.6V		U ₂	29V	26.2V	23.5V		
	U ₁ =400V	I _{1max} = 23.2A	I _{1ref} = 14.7A		U ₁ =400V	I _{1max} = 21.3A	I _{1ref} = 13.5A				
IP21S					CE EAC UK CA						
MAGMA MEKATRONİK MAKİNE SAN. VE TİC. A.Ş. Organize Sanayi Bölgesi 5.Kısım Manisa-TÜRKİYE											
ID 300MKW Pulse SMART					S/N:						
					EN 60974-1 / EN 60974-10 Class A						
50A / 22V - 300A / 32V					50A / 16.5V - 300A / 29V						
	---	X _(40C7)	40%	60%	100%		---	X _(40C7)	40%	60%	100%
	U _s =82V	I ₂	300A	245A	190A		U _s =82V	I ₂	300A	245A	190A
	U ₂	32V	29.8V	27.6V		U ₂	29V	26.2V	23.5V		
	U ₁ =400V	I _{1max} = 23.2A	I _{1ref} = 14.7A		U ₁ =400V	I _{1max} = 21.3A	I _{1ref} = 13.5A				
IP21S					CE EAC UK CA						
MAGMA MEKATRONİK MAKİNE SAN. VE TİC. A.Ş. Organize Sanayi Bölgesi 5.Kısım Manisa-TÜRKİYE											
ID 400MK Pulse SMART					S/N:						
					EN 60974-1 / EN 60974-10 Class A						
50A / 22V - 400A / 36V					50A / 16.5V - 400A / 34V						
	---	X _(40C7)	40%	60%	100%		---	X _(40C7)	40%	60%	100%
	U _s =82V	I ₂	400A	327A	253A		U _s =82V	I ₂	400A	327A	253A
	U ₂	36V	33.1V	30.1V		U ₂	34V	30.3V	26.6V		
	U ₁ =400V	I _{1max} = 33.5A	I _{1ref} = 21.2A		U ₁ =400V	I _{1max} = 32.1A	I _{1ref} = 20.3A				
IP21S					CE EAC UK CA						
MAGMA MEKATRONİK MAKİNE SAN. VE TİC. A.Ş. Organize Sanayi Bölgesi 5.Kısım Manisa-TÜRKİYE											
ID 400MKW Pulse SMART					S/N:						
					EN 60974-1 / EN 60974-10 Class A						
50A / 22V - 400A / 36V					50A / 16.5V - 400A / 34V						
	---	X _(40C7)	40%	60%	100%		---	X _(40C7)	40%	60%	100%
	U _s =82V	I ₂	400A	327A	253A		U _s =82V	I ₂	400A	327A	253A
	U ₂	36V	33.1V	30.1V		U ₂	34V	30.3V	26.6V		
	U ₁ =400V	I _{1max} = 33.5A	I _{1ref} = 21.2A		U ₁ =400V	I _{1max} = 32.1A	I _{1ref} = 20.3A				
IP21S					CE EAC UK CA						

X	دورة العمل	مقوم محول ثلاثي الطور	
U ₀	جهد التشغيل الخامل	تيار مستمر \ جهد مستمر	CC / CV
U ₁	جهد وتردد التيار الكهربائي	التيار المباشر	==
U ₂	تصنيف جهد اللحام	لحام قوسي معدني محجب بغاز خامل MIG غاز. نشاط. MAG.	
I ₁	تصنيف التيار المسحوب من التيار الكهربائي	مدخلات التيار الكهربائي- تيار متردد ثلاثي الطور	
I ₂	تصنيف تيار اللحام	مناسب للعمل في البيئات الخطرة	
S ₁	القوة المسحوبة من التيار الكهربائي	الرقم التسلسلي	S/N
S / N • الوصف (الرقم التسلسلي)			
IP21S فئة الحماية			

الرقم التعريفي للآلة				إنتاج				رقم الترتيب				
السنة		الاسبوع		رقم الترتيب								
X	X	X	X	X	X	X	X	X	X	X	X	X
مجموعة				الموديل الآلة				رقم الترتيب للآلة				
								المصنعة في تلك السنة				

دورة العمل
درجة الحرارة (درجة مئوية)



كما هو محدد في معيار EN 60974-1 ، فإن معدل دورة العمل يشمل فترة زمنية مدتها 10 دقائق. على سبيل المثال، إذا كنت تريد العمل على 250 أمبير على جهاز محدد بـ 250 أمبير عند 60%، يمكن للآلة القيام باللحام / القطع دون توقف في أول 6 دقائق من فترة 10 دقائق (المنطقة 1). ومع ذلك ، يجب ترك الآلة في وضع الخمول لمدة 4 دقائق قادمة حتى تبرد (المنطقة 2).

1.4 المواصفات الفنية

ID 300 MK/MKW PULSE SMART	الوحدة	المواصفات الفنية
400	فولت	مدخل التيار الكهربائي (3 فاز 50-60 هرتز)
14,7	كيلو فولت أمبير	القوة المسحوبة من التيار الكهربائي
MMA 86,21 / MIG 87,01	%	فعالية مصدر الطاقة
23	واط	استهلاك الطاقة في حالة الخمول
50 - 300	أمبير التيار المباشر	نطاق ضبط تيار اللحام
300	أمبير التيار المباشر	تصنيف تيار اللحام
82	أمبير التيار المباشر	جهد الدارة المفتوحة
1138 x 528 x 837	مم	MK
1180 x 528 x 1137		MKW
86	كغ	MK
110		MKW
IP21S		فئة الحماية

ID 400 MK/MKW PULSE SMART	الوحدة	المواصفات الفنية
400	فولت	مدخل التيار الكهربائي (3 فاز 50-60 هرتز)
22,1	كيلو فولت أمبير	القوة المسحوبة من التيار الكهربائي
MMA 86,61 / MIG 87,07	%	فعالية مصدر الطاقة
23	واط	استهلاك الطاقة في حالة الخمول
50 - 400	أمبير التيار المباشر	نطاق ضبط تيار اللحام
400	أمبير التيار المباشر	تصنيف تيار اللحام
82	أمبير التيار المباشر	جهد الدارة المفتوحة
1138 x 528 x 837		MK
1180 x 528 x 1137	مم	MKW (الأبعاد (الطول × العرض × الارتفاع)
86		MK
110	كغ	MKW الوزن
IP21S		فئة الحماية

1.5 الملحقات

AR

ID 300 MK/MKW PULSE SMART	ID 400 MK/MKW PULSE SMART	العدد	الملحقات القياسية
7905203505 (35 mm ² - 5 m)	7905305005 (50 mm ² - 5 m)	1	كماشة التأريض والكابلات
	7907000002	1	خرطوم الغاز
-		1	* مجموعة ملحقات ثنائي أكسيد الكربون للغاز الخامل المعدني \ الغاز النشط المعدني
-		1	* مجموعة ملحقات الأرجون \ خليط الغاز الخامل المعدني \ الغاز النشط المعدني * يجب تحديده عند الطلب.
ID 300 - 400 MK/MKW PULSE SMART		العدد	الملحقات الاختيارية
	7020009003	1	سخان ثنائي أكسيد الكربون CO ₂
	7020001005	1	منظم الغاز (ثنائي أكسيد الكربون CO ₂)
	7020001004	1	منظم الغاز (خليط)
	7120050003	1	شعلة الغاز الخامل المعدني المبردة بالماء Lava غاز خامل معدني 50 وات (3 م)

معلومات التثبيت

2.1 الأمور التي يجب مراعاتها عند التسليم

تأكد من وصول جميع العناصر التي طلبتها. إذا كانت أي مادة مفقودة أو تالفة ، فاتصل بمكان الشراء على الفور. يحتوي الصندوق القياسي على:

- الآلة الرئيسية وكابلات التيار الكهربائي المتصل بها
- شهادة الضمان
- كمامة التأريض والكابلات
- دليل المستخدم
- خرطوم الغاز
- سلك اللحام

في حالة التسليم التالف ، احتفظ بمحضر ، التقط صورة للضرر ، قم بإخطار شركة الشحن بصورة بوليصة الشحن. إذا استمرت المشكلة ، فاتصل بخدمة العملاء.

الرموز الموجودة على الآلة ومعانيها

إن عملية اللحام هي عملية تحتوي على خطر. يجب توفير ظروف العمل المناسبة واتخاذ الاحتياطات اللازمة. الخبراء مسؤولون عن الآلة ويجب عليهم توفير المعدات اللازمة. يجب إبعاد الأشخاص غير المعنيين عن منطقة اللحام.



هذا الجهاز غير متوافق مع IEC 61000-3-12. في حالة الرغبة في الاتصال بتيار الجهد المنخفض المستخدمة في المنازل ، يجب أن يكون المثبت الذي سيجري التوصيل الكهربائي أو الشخص الذي سيستخدم الآلة على علم باتصال الآلة، في هذه الحالة ، تقع المسؤولية على عاتق المستخدم.



يجب الانتباه إلى رموز الأمان وملاحظات التحذير الموجودة على الآلة وفي دليل المستخدم، ويجب عدم إزالة الملصقات.



الشبكات تهدف للتهوية. يجب عدم تغطية الفتحات لتوفير تبريد جيد ويجب عدم إدخال أجسام غريبة.



2.2 توصيات التثبيت والتشغيل

- اتخاذ الإجراءات اللازمة وفق معايير الصحة والسلامة المهنية. ويجب اتخاذ الترتيبات اللازمة في مكان العمل للتأكد من أن عملية النقل تتم وفق شروط الصحة والسلامة قدر الإمكان. ويجب اتخاذ الاحتياطات اللازمة بما يتناسب مع خصائص بيئة العمل ومتطلبات الوظيفة. ضع الجهاز على سطح صلب ومستوي وأمسك بحيث لا يسقط أو يتقلب
- في الحالات التي تتجاوز فيها درجة الحرارة المحيطة 40 درجة مئوية ، قم بتشغيل الآلة بتيار أقل أو بمعدل دورة أعلى.
- تجنب اللحام في الهواء الطلق عندما تكون هناك رياح وأمطار. إذا كان اللحام ضروريًا في مثل هذه الحالات ، قم بحماية منطقة اللحام وآلة اللحام بالسائتر والمظلات.
- تأكد من أن المواد مثل الجدران والسائتر والألواح لا تمنع سهولة الوصول إلى أدوات التحكم والتوصيلات في الماكينة عند وضع الجهاز.
- في حالة اللحام في الداخل ، استخدم نظام استخراج دخان مناسب. إذا كان هناك خطر من استنشاق أبخرة اللحام والغاز داخل الأماكن المغلقة ، فاستخدم جهاز التنفس.
- اتبع معدلات دورة العمل المحددة على ملصق المنتج. يمكن أن يؤدي تجاوز معدلات دورة العمل بشكل متكرر إلى تلف الآلة وهذا قد يبطل الضمان.
- يجب استخدام بيل مغذي مناسب لقيمة التأمين المحددة.
- قم بتوصيل السلك الأرضي بإحكام في أقرب مكان ممكن من منطقة اللحام. لا تسمح لتيار اللحام بالمرور عبر عناصر أخرى غير كابلات اللحام ، على سبيل المثال الآلة نفسها ، أسطوانة الغاز ، السلسلة ، المحمل.
- عندما يتم وضع أسطوانة الغاز على الآلة، قم بتثبيت أسطوانة الغاز على الفور عن طريق توصيل السلسلة. إذا لم تضع أسطوانة الغاز على الآلة، فثبت أسطوانة على الحائط بسلسلة.
- المقبس الكهربائي الموجود في الجزء الخلفي من الآلة مخصص لسخان ثاني أكسيد الكربون. لا تقم أبدًا بتوصيل جهاز آخر غير سخان ثاني أكسيد الكربون بمقبس ثاني أكسيد الكربون!

2.3 توصيلات اللحام

2.3.1 توصيل قابس الكهرياء



من أجل سلامتك ، لا تستخدم أبداً كبل التيار الكهربائي الخاص بالآلة بدون قابس.

- القابس غير متصل بكابل التيار الكهربائي ، حيث قد تكون هناك مقابس مختلفة في المصانع ومواقع البناء والورش. يجب توصيل قابس مناسب للمأخذ بواسطة كهربائي مؤهل. تأكد من وجود السلك الأرضي المميز باللون الأصفر / الأخضر والمشار إليه بـ (⊕).
- بعد توصيل القابس بالكابل ، لا تقم بتوصيل التيار في هذه المرحلة.

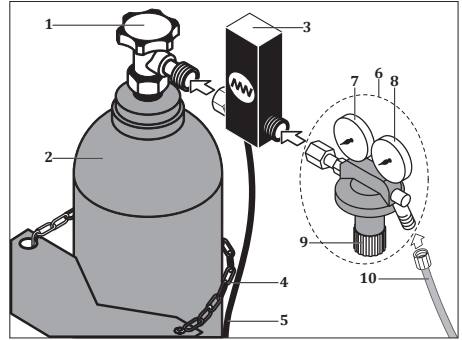
2.3.2 توصيل كمامة التآريض بقطعة العمل

• قم بتثبيت كمامة التآريض بإحكام بقطعة العمل في أقرب مكان ممكن من المنطقة المراد لحامها.

2.3.3 توصيلات الغاز

- تأكد من أن حجم توصيل خرطوم منظم الغاز الذي ستستخدمه هو 3/8.
- افتح صمام أسطوانة الغاز بإبقاء رأسك ووجهك بعيداً عن مخرج صمام الأسطوانة واتركه مفتوحاً لمدة 5 ثوانٍ. بهذه الطريقة ، سيتم التخلص من الرواسب والأوساخ المحتملة.
- في حالة استخدام سخان ثاني أكسيد الكربون ، قم أولاً بتوصيل سخان ثاني أكسيد الكربون بأسطوانة الغاز. بعد توصيل منظم الغاز بسخان ثاني أكسيد الكربون ، قم بتوصيل سخان ثاني أكسيد الكربون بمقيس سخان ثاني أكسيد الكربون الموجود في الجزء الخلفي من الماكينة.
- في حالة عدم استخدام سخان ثاني أكسيد الكربون ، قم بتوصيل منظم الغاز بأسطوانة الغاز.
- قم بتوصيل أحد طرفي خرطوم الأسطوانة بمنظم الغاز وشد المشبك. قم بتوصيل الطرف الآخر بمدخل الغاز في الجزء الخلفي من الماكينة وشد الصمولة.
- افتح صمام اسطوانة الغاز وتأكد من امتلاء الأسطوانة وعدم وجود تسرب في مسار الغاز.
- إذا سمعت صوتاً و / أو شممت رائحة غاز كمؤشر على وجود تسرب ، فافحص التوصيلات وتخلص من التسرب.

- | | |
|--------------------------------------|----------------------|
| 1- صمام اسطوانة الغاز | 6- منظم الغاز |
| 2- اسطوانة غاز | 7- المانومتر |
| 3- سخان ثاني أكسيد الكربون | 8- مقياس الجريان |
| 4- سلسلة | 9- صمام تنظيم التدفق |
| 5- كابل طاقة سخان ثاني أكسيد الكربون | 10- خرطوم الأنبوب |



الشكل 3: توصيلات اسطوانة الغاز - السخان - المنظم

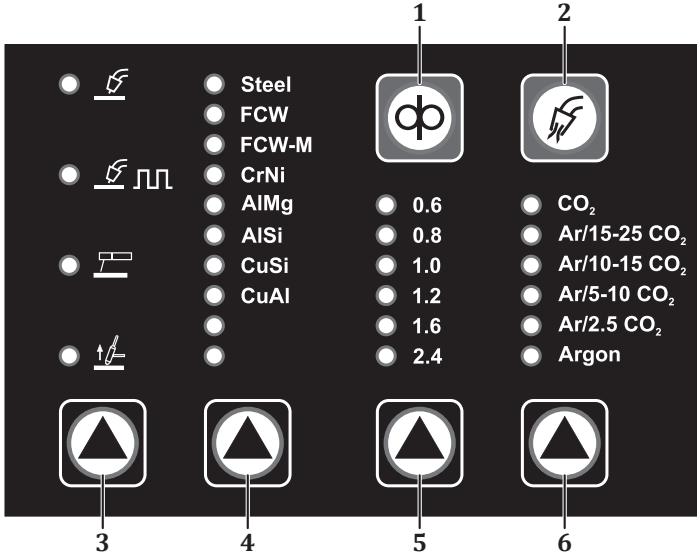
2.3.4 وحدة تبريد المياه

- تستخدم وحدة تبريد الماء لتبريد الشعلة ؛ إنه نظام دائرة مغلقة يتكون من المبرد والمروحة وخزان سائل تبريد المضخة.
- قم بتوصيل خرطوم الماء البارد (الأزرق) الخاص بالحزمة الوسيطة بمخرج الماء البارد في نظام التبريد بالماء ، و قم بتوصيل خرطوم الماء الساخن (الأحمر) بمدخل الماء الساخن في نظام التبريد المائي.
- تأتي آلات اللحام Magmaweld مع سائل تبريد Magmaweld الذي يتم إنتاجه لتقديم أفضل أداء. في حالة نقص سائل التبريد افتح غطاء خزان سائل التبريد وأضف سائل التبريد Magmaweld المناسب لدرجة حرارة بيئة التشغيل. يجب أن يكون سائل التبريد ضمن القيم الدنيا والقصى الموضحة على اللوحة الأمامية للوحدة.
- لا ينبغي إضافة سائل تبريد أو ماء مختلف. يمكن أن تسبب إضافات السوائل المختلفة تفاعلات كيميائية أو مشاكل مختلفة.

- Magmaweld ليست مسؤولة عن المخاطر التي قد تنشأ في حالة إضافة سوائل مختلفة. ستؤدي إضافة سائل تبريد أو ماء مختلف إلى سائل تبريد Magmaweld إلى إبطال جميع أحكام الضمان.
- إذا كنت ترغب في استخدام نوع مختلف من سائل التبريد ، فيجب أن يكون خزان سائل التبريد من الداخل فارغًا تمامًا ويجب ألا يكون هناك بقايا أو سائل بداخله.
- ليس من المناسب استخدام وحدات التبريد المائية باستثناء آلات اللحام الخاصة بمصنع شركة Magma للميكاترونكس والآلات الصناعية والتجارية المساهمة. لا يمكن تشغيل وحدات التبريد المائية بواسطة مصدر طاقة خارجي.

معلومات الإستخدام ✂

3.1 الإعدادات الموجودة في الحقيبة



1- السلك الحر

يتم تشغيل السلك ، مادام الزر مضغوطا ، ولا يعمل صمام الغاز. يمكنك استخدام هذا الزر لتغذية السلك في الشعلة.

2- الغاز الحر

يتم توفير تدفق الغاز ، مادام الزر مضغوطا ، ولا تعمل تغذية الأسلاك. يمكنك استخدام هذا الزر بعد تغيير الغاز.

3- اختيار طريقة اللحام

يتم تحديد طريقة اللحام. في كل مرة يتم الضغط على الزر ، يتم توفير الانتقال بين الصفوف في العمود ذي الصلة. عند تحديد طريقة اللحام ، سيتم تشغيل المصباح ذي الصلة.

مجال الضبط

● لحام قوسي معدني محجب بغاز نشط MIG/غاز حامل MAG

● لحام نبضي محجب بغاز نشط MIG/غاز حامل MAG

”طريقة اللحام النبضي متاحة فقط في الوضع المزود بنظام Pulse. في الوضع الذي لا يحتوي على Pulse ، عند الوصول إلى هذا الخط ، لن يضيء مصباح الليد ولن يكون اللحام النبضي نشطاً.“

● لحام قوسي كهربائي محجب MMA

”تحتاج إلى ضبط التوصيلات والملحقات وفقاً لطريقة اللحام المحددة. يوجد منفذ منفصل لطريقة اللحام القوسي الكهربائي المحجب أمام الجهاز.“

● لحام قوسي بغاز التنغستن Lift TIG

يجب استخدام الجهاز المناسب لوصلة موصل الشعلة في طريقة اللحام Lift TIG. ويفضل الجهاز الخاص ، سيكون متوافقاً مع الموصل الأوروي.

4- اختيار نوع الأسلاك

”تم تحديد نوع السلك، يجب تحديد نوع السلك الذي سيتم استخدامه بشكل صحيح. في كل مرة يتم فيها الضغط على الزر، تقوم كل ضغطة على الزر بالتبديل بين السطور الموجودة في العمود ذي الصلة. عند تحديد نوع السلك، سيتم تشغيل الليد ذي الصلة.“

مجال الضبط

AlMg •	Steel •
AlSi •	FCW •
CuSi •	FCW-M •
CuAl •	CrNi •

5- اختيار قطر الأسلاك

يتم اختيار قطر السلك، يجب اختيار قطر السلك الذي سيتم استخدامه بشكل صحيح. في كل مرة يتم الضغط على الزر، يتم توفير الانتقال بين الصفوف في العمود ذي الصلة. عند تحديد قطر السلك، سيتم تشغيل الليد المقابل.

مجال الضبط

• 0.6 - 2.4 ملم

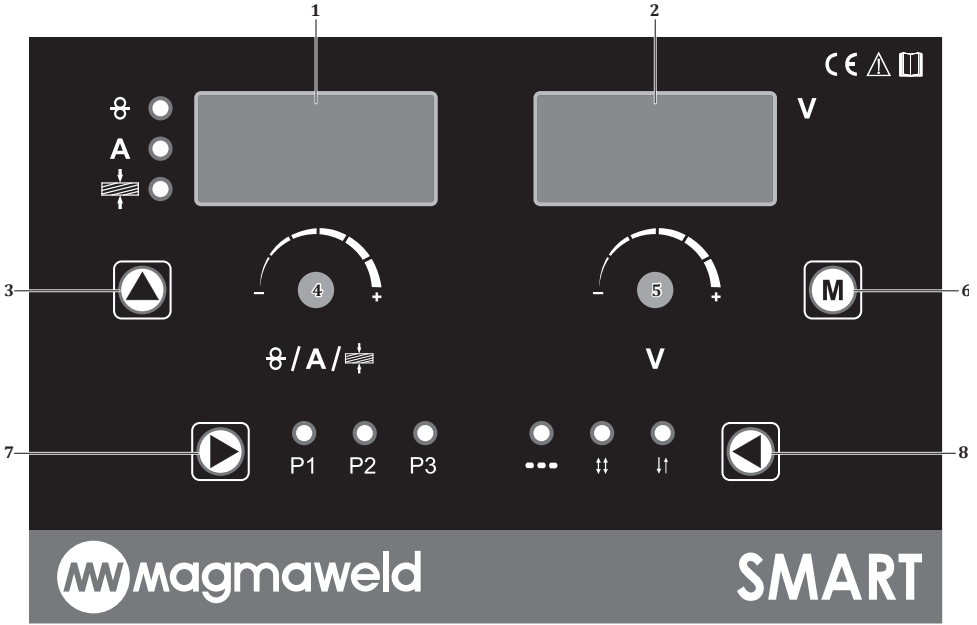
6- اختيار نوع الغاز

يتم اختيار نوع الغاز. يجب اختيار نوع الغاز المراد استخدامه بشكل صحيح. في كل مرة يتم الضغط على الزر، يتم توفير الانتقال بين الصفوف في العمود ذي الصلة. عند تحديد نوع الغاز، سيضيء الليد المقابل.

مجال الضبط

Ar/5-10 CO ₂ •	ثاني أكسيد الكربون •
Ar/2.5 CO ₂ •	Ar/15-25 CO ₂ •
أرجون •	Ar/10-15 CO ₂ •

3.2 واجهة المستخدم



1- الشاشة الرقمية اليسرى

“يعرض محتوى القائمة، رسائل الخطأ، سرعة السلك في وقت الفراغ / التحميل، تيار اللحام، قيمة السُمك حسب الوضع المحدد. يتم عرض جميع المعاملات على الشاشة الرقمية.”

عند الفراغ	عند التحميل
الوضع التآزري	تيار اللحام
الوضع الذكي	تيار مجموعة اللحام
الوضع الطبيعي	سرعة السلك

2- الشاشة الرقمية اليمنى

“يعرض معاملات الإعداد للوظائف وجهد اللحام عند الفراغ أو التحميل حسب الوضع المحدد.”

عند الفراغ	عند التحميل
الوضع التآزري	فولت مجموعة اللحام
الوضع الذكي	فولت مجموعة اللحام
الوضع الطبيعي	فولت مجموعة اللحام

3- اختيار وضع اللحام

يتم اختيار وضع اللحام. في كل مرة يتم الضغط على الزر ، يتم توفير الانتقال بين الصفوف في العمود ذي الصلة. عند تحديد وضع اللحام ، سيتم تشغيل الليد المقابل.

مجال الضبط

• الوضع الكلاسيكي 

• الوضع الذكي 

• الوضع التآزري 

يؤدي التحديد الذي تقوم به من علامة تبويب الطريقة في الحقيبة إلى إنشاء تمايز في خيارات وضع اللحام. عند تحديد طريقة اللحام MIG / MAG كطريقة لحام ، تكون الأوضاع كما يلي:

<p>الوضع الكلاسيكي أثناء التحديد ، يمكنك ضبط سرعة السلك وجهد اللحام ضمن نطاق تفاوت معين. يتم ضبط سرعة السلك 1 - 24 م / دقيقة ، جهد اللحام بين 15-40 فولت.</p>
<p>الوضع الذكي أثناء التحديد ، يجب تحديد معاملات اللحام مثل نوع السلك وقطر السلك ونوع الغاز بشكل صحيح. تقوم الآلة تلقائيًا بضبط الجهد الأمثل وفقًا لتيار اللحام المحدد. يمكنك ضبط الجهد عن طريق إدارة زر الضبط في اتجاه +/- ضمن نطاق تفاوت معين. ”</p>
<p>الوضع التآزري أثناء التحديد ، يجب تحديد معاملات اللحام مثل نوع السلك وقطر السلك ونوع الغاز وسمكه بشكل صحيح. يتم ضبط كل من التيار والجهد تلقائيًا وفقًا لمعايير اللحام المحددة. يمكن للمستخدم التنقل بين التيار والجهد ضمن نطاق تفاوت معين. ستقوم الآلة تلقائيًا بإعادة حساب الجهد وفقًا لقيمة التيار المحددة في تفاوت معين.</p>

⚠ إذا كنت تريد معرفة القيمة التي اقترحها الجهاز في الأصل والعودة إلى تلك القيمة ، فما عليك سوى الضغط على زر الضبط مرة واحدة.

عند تحديد طريقة اللحام MIG / MAG Pulse كطريقة لحام ، تكون الأوضاع كما يلي:

⚠ سيكون نشطًا في النماذج ذات اللحام النبضي.

<p>الوضع الكلاسيكي أثناء التحديد ، يمكنك ضبط سرعة السلك وجهد اللحام ضمن نطاق تفاوت معين. يتم ضبط سرعة السلك 1 - 24 م / دقيقة ، جهد اللحام بين 15-40 فولت.</p>
<p>الوضع الذكي أثناء التحديد ، يجب تحديد معاملات اللحام مثل نوع السلك وقطر السلك ونوع الغاز بشكل صحيح. تقوم الآلة تلقائيًا بضبط الجهد الأمثل وفقًا لتيار اللحام المحدد. يمكنك ضبط الجهد عن طريق إدارة زر الضبط في اتجاه +/- ضمن نطاق تفاوت معين. ”</p>
<p>الوضع التآزري أثناء التحديد ، يجب تحديد معاملات اللحام مثل نوع السلك وقطر السلك ونوع الغاز وسمكه بشكل صحيح. يتم ضبط كل من التيار والجهد تلقائيًا وفقًا لمعايير اللحام المحددة. يمكن للمستخدم التنقل بين التيار والجهد ضمن نطاق تفاوت معين. ستقوم الآلة تلقائيًا بإعادة حساب الجهد وفقًا لقيمة التيار المحددة في تفاوت معين.</p>

عندما يتم اختيار لحام MMA و TIG Lift كطريقة لحام ، لا يوجد اختيار في قسم الوضع.

4- وعاء الضبط

- يتم التعديل عن طريق تدوير الإناء (4) إلى اليمين واليسار.
- عند تحديد طريقة اللحام MMA ، يتم ضبط التيار بالوعاء.
 - عند تحديد طريقة اللحام Lift TIG ، يتم ضبط التيار بالوعاء.
 - عند تحديد الوضع الكلاسيكي ، يتم ضبط سرعة السلك بالوعاء.
 - عند تحديد الوضع الذي ، يتم ضبط التيار بالوعاء ، ويتم حساب الجهد تلقائيًا مقابل التيار المعدل.
 - عند تحديد الوضع التآزري ، يتم تحديد سمك المادة المراد لحامها بالوعاء ، ويتم حساب الجهد تلقائيًا وفقًا للسمك المضبوط.
 - عندما تضغط على الزر (6) وتذهب إلى قسم الوظائف ، تحتاج إلى الضغط على الوعاء مرة واحدة والانتقال إلى الوظيفة الأخرى من أجل التسجيل في الوظيفة ذات الصلة.

على سبيل المثال؛

دع وظيفة ما قبل الغاز (PrE) محددة ؛ (5) إذا كانت هذه القيمة مطلوبة ليتم حفظها بعد الضبط بالوعاء (4) ، فمن الضروري الضغط على الوعاء مرة واحدة والانتقال إلى ما بعد الغاز ، والذي هي الوظيفة الأخرى (PoS). إذا لم تضغط (4) على القدر وانتقلت إلى الوظيفة التالية (PoS) ، وإذا عدت مباشرة إلى الصفحة الرئيسية ، فلن يكون هناك تسجيل حفظ.

5- وعاء الضبط

- يتم التعديل عن طريق تدوير الوعاء (5) إلى اليمين واليسار.
- يتم ضبط قيمة الجهد عند تحديد الوضع الكلاسيكي.
 - عند تحديد الوضع الذي ، يتم حساب الجهد تلقائيًا مقابل التيار المحدد باستخدام الوعاء (4). يمكنك ضبط الجهد ضمن نطاق تفاوت معين (5) عن طريق تدوير الوعاء ميمًا ويسارًا.
 - عند تحديد الوضع التآزري ، يتم حساب الجهد تلقائيًا وفقًا للمعاملات المحددة.
 - يمكنك ضبط الجهد ضمن نطاق تفاوت معين (5) عن طريق تدوير الوعاء ميمًا ويسارًا.
 - عند تحديد الزر (6) ، سيتم فتح الوظائف. تم ضبط الوظائف المتعلقة بالوعاء.

6- اختيار الوظيفة

عند الضغط على الزر (6) مرة واحدة ، ستفتح الوظائف. ويكفي الضغط على الزر مرة أخرى للعودة إلى الصفحة الرئيسية. من خلال تدوير الوعاء (5) إلى اليمين واليسار ، يتم ضبط الوظيفة المحددة. عندما تريد حفظ الإعداد المحدد ، من الضروري الانتقال إلى الوظيفة التالية. للحفاظ ، يكفي الضغط على الوعاء (4) مرة واحدة ، بحيث يتم حفظ الإعداد والتنقل إلى الوظيفة التالية.

الوظائف التالية متاحة في القائمة: على التوالي:

ما قبل الغاز

تم ضبط وقت ما قبل الغاز.

مجال الضبط

• 0 - 9.9 ثانية

قبل بدء اللحام في الوقت المحدد ، يأتي الغاز ثم يبدأ اللحام. يوفر حماية تجمع اللحام في بداية اللحام.

ما بعد الغاز

تم ضبط وقت ما بعد الغاز.

مجال الضبط

• 0 - 9.9 ثانية

بعد انتهاء اللحام في الوقت المحدد يأتي الغاز وينتهي اللحام ويوفر حماية تجمع اللحام في نهاية اللحام.

الاحتراق المرجعي

تم ضبط الاحتراق المرجعي

مجال الضبط

• + 25 - 25

إذا كانت القيمة المعروضة على الشاشة "+" أثناء الاحتراق المرجعي ، فسيبرز السلك للوقت المحدد ، إذا كانت القيمة المعروضة على الشاشة "-" ، سيستمر السلك في الاحتراق للوقت المحدد. عند الانتهاء من عملية اللحام ، فإنه يمنع سلك اللحام من الالتصاق بفوهة الملامس.

PrE

PoS

brn

وقت اللحام

عندما يتم تحديد الطريقة ، يتم ضبط وقت اللحام.

مجال الضبط

• 0.2 - 9.9 ثانية

Pon

وقت الفراغ

عند تحديد الطريقة ، يتم ضبط وقت عدم اللحام.

مجال الضبط

• 0.0 - 9.9 ثانية

PoF

سوفت ستارت

تم ضبط سوفت ستارت

مجال الضبط

• تشغيل - إيقاف

عند بدء اللحام لأول مرة ، تزداد سرعة السلك تدريجيًا من السرعة المنخفضة إلى السرعة المحددة. وبهذه الطريقة ، يتم منع الضربات والتناثر في بداية اللحام.

SoS

الفوهة

تم ضبط وظيفة الفوهة

مجال الضبط

• تشغيل - إيقاف

إنها عملية الملمس لمنع التشققات التي ستحدث في نهاية اللحام. عندما تكون الفوهة نشطة ، يتم تقليل تيار اللحام بخطية معينة وينتهي اللحام.

Crt

7- اختيار البرنامج

يتم استخدامه لحفظ العمل المنجز. هناك 3 ذكريات. سيضيء الليد (7) للبرنامج في أي برنامج تتم معالجته. لحفظ البرنامج ، من الضروري الضغط على الزر مرة واحدة والانتقال إلى البرنامج الآخر. إذا كنت ستقوم بالتسجيل في البرنامج رقم 3 ، فسيكون ذلك كافيًا للضغط على الزر مرة واحدة للحفظ بعد إجراء الإعدادات الخاصة بك أثناء تشغيل الليد رقم P3. وبالتالي ، سيتم إيقاف تشغيل جميع الليدات الخاصة بالبرنامج. بعد برنامج P3 ، هناك منطقة تسمح بالعمل دون تسجيل البرنامج. أثناء التواجد في هذا المجال ، لا يتم تسجيل البرنامج ويتم إيقاف تشغيل ليادات البرنامج.

مجال الضبط

• P1 - P2 - P3

8- اختيار مُط الزناد

تستخدم لاختيار وضع الزناد. كل ضغطة على الزر (8) تتحول إلى وضع الزناد الآخر.

مجال الضبط

- التشغيل 2
- التشغيل 4
- الطريقة



اضغط على الزناد



ابقى بوضعية الضغط على الزناد



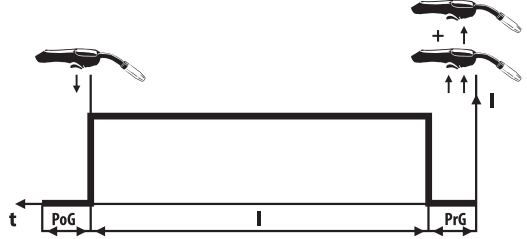
اترك الزناد

وضع التشغيل 2: عند الضغط على مشغل الشعلة، يبدأ اللحام ويظل الزناد مضغوطاً حتى يتم الانتهاء من اللحام. سينتهي اللحام عند تحرير الزناد.

بداية اللحام؛

- اضغط بشكل مستمر على زناد الشعلة ،
- يبدأ تدفق الغاز الوافي حتى مدة ما قبل الغاز.
- في نهاية مدة ما قبل الغاز ، يبدأ محرك تغذية السلك ذي السرعة البطيئة.
- يزداد تيار اللحام عندما يتم الوصول إلى قطعة العمل.
- حرر زناد الشعلة الذي تم الضغط عليه ،
- سيتوقف محرك تغذية الأسلاك.
- بعد الوقت المحدد للاحتراق التراجعي ، ينطفئ القوس.
- في نهاية مدة ما بعد الغاز، تنتهي العملية.

PrG: مدة ما قبل الغاز
I : تيار اللحام
PoG: مدة ما بعد الغاز



وضع التشغيل 4 : بمجرد الضغط على زناد الشعلة وتحريره ، يبدأ اللحام ولا داعي لتثبيته حتى يتم الانتهاء من اللحام. سينتهي اللحام عند الضغط على المشغل وتحريره مرة أخرى.

بداية اللحام؛

- اضغط على زناد الشعلة وحرره ،
- يبدأ تدفق الغاز الوافي حتى مدة ما قبل الغاز.
- في نهاية مدة ما قبل الغاز ، يبدأ محرك تغذية السلك ذي السرعة البطيئة.
- يزداد تيار اللحام عند الوصول إلى قطعة العمل.
- حرر زناد الشعلة وسيستمر اللحام.
- يتوقف محرك تغذية الأسلاك
- بعد الوقت المحدد للاحتراق التراجعي ، ينطفئ القوس.
- في نهاية مدة ما بعد الغاز، تنتهي العملية.

PrG: مدة ما قبل الغاز
I : تيار اللحام
PoG: مدة ما بعد الغاز



الطريقة: هو اللحام الموضعي المذكور في الطريقة. يستمر اللحام لفترة اللحام المحددة وينتهي في نهاية الفترة. لن يتم إجراء اللحام إذا كانت الفترة المحددة هي فترة الفراغ. ستستمر هذه الفترة طالما لم يتم تحرير الزناد. وقت اللحام: 0.2 - 9.9 و وقت الفراغ: 0.0 - 9.9 ثانية.

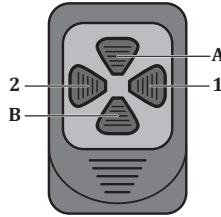
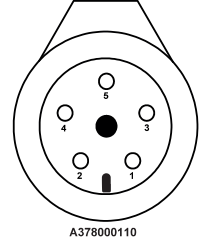
يجب أن يكون مفضلاً عندما يكون مطلوباً الحصول على نفس خط اللحام والاختراق في كل مرة. ستكون اللحامات المصنوعة في وضع الطريقة متساوية في الحجم. ⚠️

3.3 جهاز التحكم عن بعد

يمكنك تغيير تيار اللحام (سرعة السلك) / جهد اللحام باستخدام شعلة وموصل مناسبين، وذلك من خلال الشعلة دون الذهاب إلى جهازك. تحتاج إلى توصيل مقبس الشعلة الذي يتم التحكم فيه عن بعد. توصيلات المقبس هي كالتالي:

منظر أمامي لمقبس شعلة جهاز التحكم عن بعد

- جهاز تحكم الشعلة - بني A378000110 - 1
 جهاز تحكم الشعلة - أسود A378000110 - 2
 جهاز تحكم الشعلة - أحمر A378000110 - 4
 جهاز تحكم الشعلة - أبيض A378000110 - 5
 جهاز تحكم الشعلة - أخضر A378000110 - 3

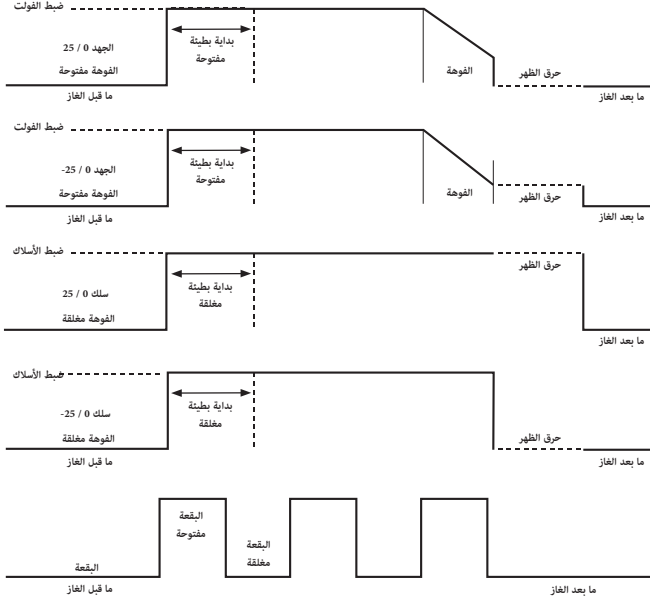


المهمة	المفتاح	الوضع
يمكنك تقليل سرعة الأسلاك الخاصة بك إلى الحد الأدنى لقيمة التحمل (-10%). نطاق التعديل: 0.5 م / دقيقة	1	الوضع الطبيعي
يمكنك زيادة سرعة الأسلاك الخاصة بك إلى الحد الأقصى لقيمة التحمل (+10%). نطاق التعديل: 0.5 م / دقيقة	2	
يمكنك زيادة جهد اللحام الخاص بك إلى أقصى قيمة تحمل (+10). نطاق التعديل: 0.5 فولت	أ	
يمكنك تقليل جهد اللحام الخاص بك إلى الحد الأدنى لقيمة التحمل (-10%). نطاق التعديل: 0.5 فولت	ب	الوضع الذي
يمكنك تقليل تيار اللحام إلى الحد الأدنى لقيمة التحمل (-10%). نطاق التعديل: 5 أ	1	
يمكنك زيادة تيار اللحام الخاص بك إلى الحد الأقصى لقيمة التحمل (+10%). نطاق التعديل: 5 أ	2	
يمكنك زيادة جهد اللحام الخاص بك إلى أقصى قيمة تحمل (+10%). نطاق التعديل: 0.5 فولت	أ	الوضع التآزري
يمكنك تقليل جهد اللحام الخاص بك إلى الحد الأدنى لقيمة التحمل (-10%). نطاق التعديل: 0.5 فولت	ب	
يمكنك تقليل تيار اللحام إلى الحد الأدنى لقيمة التحمل (-10%). نطاق التعديل: 5 أ	1	
يمكنك زيادة تيار اللحام الخاص بك إلى الحد الأقصى لقيمة التحمل (+10%). نطاق التعديل: 5 أ	2	
يمكنك زيادة جهد المصدر الخاص بك إلى أقصى قيمة تحمل (+10%). نطاق التعديل: 0.5 فولت	أ	
يمكنك تقليل جهد اللحام الخاص بك إلى الحد الأدنى لقيمة التحمل (-10%). نطاق التعديل: 0.5 فولت	ب	

3.4 ضبط طول القوس (Arc)

عند الضغط على زر ضبط الجهد لمدة 3 ثوانٍ ، ستكون وظيفة طول القوس نشطة. إعداد المصنع هو 0.0. يمكنك تغيير إعداد طول القوس في النطاق + 7 / -7 عن طريق تدوير الزر الموجود يسارًا ويمينًا. في التغيير الذي تم إجراؤه باتجاه +7 ، يقترب ملامس السلك من الفوهة ويصبح طول القوس أطول. في التغيير الذي تم إجراؤه باتجاه -7 ، يقترب السلك من معدن اللحام ويصبح طول القوس أقصر. بعد إجراء الإعداد المطلوب ، يتم الضغط على الزر الحالي مرة واحدة للخروج من الإعداد.

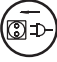

3.5 منحني اللحام القوسي المعدني المحجب بغاز حامل MIG



AR

المُعامل	نطاق القيمة	إعدادات المصنع	2- موقع اللحام القوسي المعدني المحجب بغاز MIG حامل	4- موقع اللحام القوسي المعدني المحجب بغاز MIG حامل
ما قبل الغاز	0.0 - 9.9 ثانية	0,1 ثانية	✓	✓
ما بعد الغاز	0.0 - 9.9 ثانية	0,1 ثانية	✓	✓
الاحتراق التراجعي	25 - 0 - 25	0 خطوات	✓	✓
مدة اللحام	0.2 - 9,9 ثانية	0,2 ثانية	✓	✓
مدة الفراغ	0.0 - 9,9 ثانية	0,0 ثانية	✓	✓
قطر السلك	0.6 - 2.4 ملم	1,0 ملم	✓	✓
السماكة	0.6 - 20.0 ملم	1,0 ملم	✓	✓
نوع الغاز	CO ₂ , Ar/5-10 CO ₂ , Ar/15-25 CO ₂ , Ar/2.5 CO ₂ , Ar/10-15 CO ₂ , Argon			
نوع السلك	Steel, AlMg, FCW, AlSi, FCW-M, CuSi, CrNi, CuAl			
الفوهة	المبني للمجهول الفعال			
الوضع	تأثري / ذي / كلاسيكي			
الزناد	2			
الطريقة	MIG / MAG	MIG / MAG - MMA LIFT TIG	✓	✓

3.6 التوصيل بالتيار الكهربائي

تأكد من أن مفتاح التشغيل / الإيقاف في الوضع "0" عند  تحقق من جهد التيار الكهربائي قبل توصيل الجهاز بالتيار الكهربائي. التوصيل 

- ابدأ تشغيل الجهاز باستخدام مفتاح التشغيل / الإيقاف.
- بعد سماع ضجيج المروحة ورؤية مصباح التيار الكهربائي بضيء، قم بإيقاف تشغيل الجهاز عن طريق إعادة مفتاح التشغيل / الإيقاف إلى وضع الإيقاف.

3.7 اختيار واستبدال أسطوانة تغذية الأسلاك

• عند فتح غطاء قسم وحدة تغذية الأسلاك، يمكنك إجراء تعديلات بشكل حر على الغاز والأسلاك باستخدام الزر الموجود على الجانب. في قسم تغذية الأسلاك، ستري نظام التغذية المنظم بأربعة أسطوانات. بفضل هيكل نظام WD 4، يتم تحريك السلك ميكانيكياً بالقوة المطبقة على جميع البكرات الأربع. لا تتغير سرعة تغذية الأسلاك حتى في الظروف السلبية مثل تسخين المحرك وزيادة الاحتكاك. استقرار القوس ممتاز. بمجرد تنشيط الماكينة، سيكون الليد الداخلي نشطاً، مما يوفر الراحة عند تغيير البكرات.

أ- المحرك

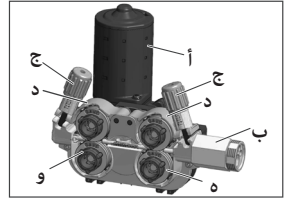
ب- رابط اليورو

ج- برغي ضبط الضغط

د- بكرات تغذية الأسلاك العلوية

هـ- بكرات تغذية الأسلاك السفلية

و- آلية قفل السلك المغذي



الشكل 5: نظام تغذية الأسلاك

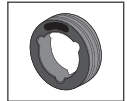
- استخدم بكرات تغذية الأسلاك المناسبة للمواد وقطر سلك اللحام الذي ستستخدمه. استخدم بكرات تغذية الأسلاك مع أخدود 7 للصلب والفولاذ المقاوم للصدأ، وأخدود 7 مخرش للأسلاك المحفور، و أخدود U للألمنيوم.
- عندما تحتاج إلى استبدال بكرات تغذية الأسلاك، اسحب برغي ضبط الضغط نحوك و قم بإزالة أغشية البكرات العلوية، ثم قم بإزالة البكرات الموجودة.

• يجب عليك فتح قفل البكرات قبل أن تتمكن من إزالتها. عن طريق قلبها ببساطة في الاتجاه المعاكس للقفل، يجب أن تتداخل الفجوات الموجودة داخل أسطوانة تغذية الأسلاك مع النتوءات الموجودة على جسم وحدة تغذية الأسلاك، وبالتالي فتحها.

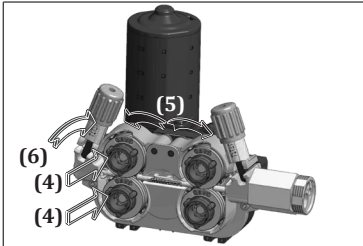


• يتم تمييز جانبي البكرات وفقاً لقطر السلك المستخدم فيهما.

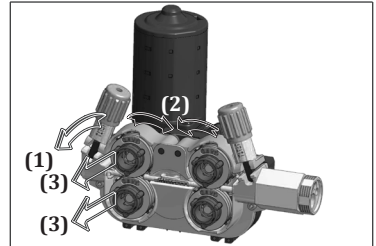
• ضع البكرات على الحافة مع قيمة قطر السلك التي ستستخدمها على الجانب المواجه لك.



- ضع البكرة التي ستستخدمها بحيث تتداخل الفراغات الموجودة داخل بكرة تغذية الأسلاك مع النتوءات الموجودة على جسم وحدة تغذية الأسلاك. تأكد من سماع صوت القفل وأن بكرات تغذية الأسلاك في مكانها عن طريق تدويرها إلى اليمين أو اليسار. ثم اخفض بكرات الضغط ورافع ذراع بكرة الضغط لقفليها على بكرة الضغط."



الشكل 7: وضع بكرات تغذية الأسلاك



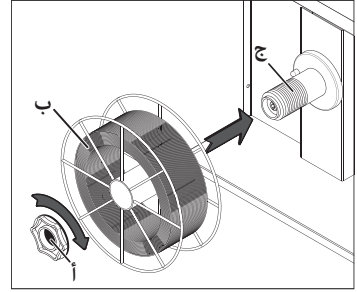
الشكل 6: إزالة بكرات تغذية الأسلاك

3.8 إدخال بكرة السلك وتغذية السلك

- فك برغي نظام النقل السلكي. أدخل بكرة سلك اللحام في مغزل نظام النقل السلكي وأعد إحكام ربط المسمار.

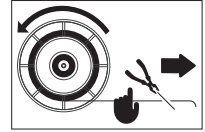


يؤدي إحكام ربط برغي نظام النقل السلكي بإحكام شديد إلى منع تغذية السلك وقد يتسبب في حدوث أعطال. من ناحية أخرى ، قد يؤدي شد رخو للبرغي إلى إفراغ السلة السلكية بعد فترة من الوقت عند توقف تغذية الأسلاك وحدوث إرتباك. لذلك قم بشد البرغي ليس بشكل شديد جدا ولا رخو جدا.



الشكل 8: إدخال بكرة السلك

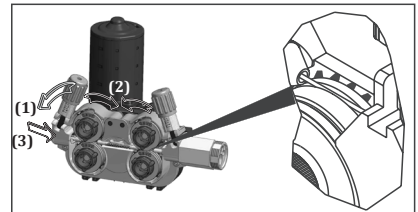
- اسحب رافعة الضغط الموجودة على بكرة تغذية السلك وقم بخفضها ، أي قم بتفريغ أسطوانة الضغط.



- قم بإزالة سلك اللحام من مكان توصيل بكرة السلك واقطع النهاية بإزميل دون أن تفقد يدك.



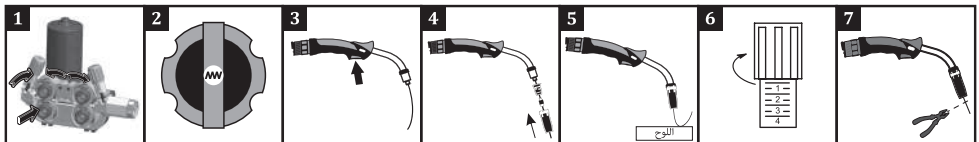
إذا فقدت طرف السلك ، يمكن أن يتطاير السلك مثل الزنبرك ويؤذيك أنت ومن حولك.



- بدون ترك السلك ، مرره عبر دليل دخول السلك إلى البكرات وفوق البكرات في الشعلة.

الشكل 9: تغذية السلك نحو البكرة

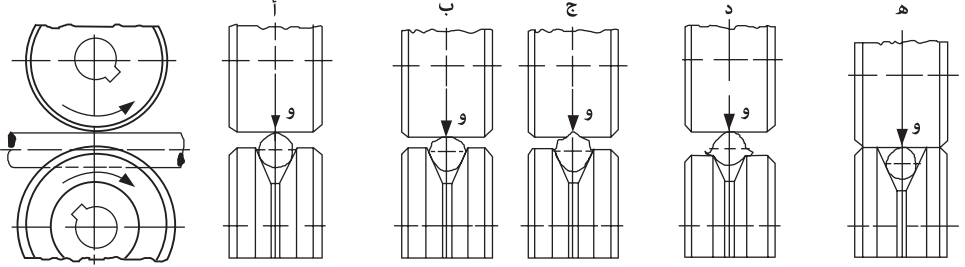
- اضغط على بكرات الضغط وارفع ذراع الضغط. 1
- ابدأ تشغيل الجهاز بتحويل مفتاح التشغيل / الإيقاف إلى الوضع "1". 2
- اضغط على الزناد حتى يخرج السلك من طرف الشعلة ، في غضون ذلك ، لاحظ أن بكرة سلك اللحام تدور بحرية ، وتحقق مما إذا كان هناك أي ارتخاء في اللف عن طريق الضغط على الزناد وتحريره عدة مرات. 3
- إذا لوحظ ارتخاء و / أو إعادة لف ، شد برغي نظام النقل السلكي أكثر قليلاً.
- عندما يخرج السلك من طرف المصباح ، أعد تركيب الفوهة وطرف التلامس بالمصباح. 4
- حرك السلك على اللوح 5 لضبط شد السلك 6 واقطع طرف السلك. 7





تحدث التأثيرات التالية في حالة زيادة ضغط برغي ضبط الضغط أو تركه مفكوكًا أو في حالة استخدام بكرة تغذية الأسلاك غير الصحيحة.

- أ : ضغط السلك المناسب وحجم القناة
 ب: بسبب ضغط ذراع الضغط كثيرًا ، تحدث تشوهات في شكل السلك.
 ج : بسبب ضغط ذراع الضغط كثيرًا ، تحدث تشوهات على سطح البكرة.
 د : طول قناة البكرة صغير بالنسبة للسلك المستخدم. تخلق تشويه في شكل السلك.
 هـ : طول قناة البكرة كبير بالنسبة للسلك المستخدم. لا يمكن شحن الأسلاك إلى منطقة اللحام



الشكل 10: ضبط الضغط وأخطاء اختيار البكرة

3.9 ضبط تدفق الغاز



قم بضبط الغاز واختبار الغاز عن طريق خفض ذراع الضغط لأسطوانة تغذية السلك!

الألومنيوم	فولاذ مقاوم للصدأ	السلك الأساسي	أسلاك الفولاذ والمعادن الأساسية غير السبائكية	الغاز	السلك (م)
8 لتر / دقيقة	8 لتر / دقيقة	7 لتر / دقيقة	8 لتر / دقيقة	0.8	0.8
9 لتر / دقيقة	9 لتر / دقيقة	8 لتر / دقيقة	9 لتر / دقيقة	0.9	0.9
10 لتر / دقيقة	10 لتر / دقيقة	9 لتر / دقيقة	10 لتر / دقيقة	1.0	1.0
12 لتر / دقيقة	12 لتر / دقيقة	11 لتر / دقيقة	12 لتر / دقيقة	1.2	1.2

- اضبط تدفق الغاز باستخدام صمام تعديل التدفق.
- سلك معدل تدفق الغاز العملي (Ar ، CO₂ ، خليط) 10 أضعاف قطرها. على سبيل المثال ، إذا كان قطر السلك 1.2 مم ، فيمكن تعديل معدل تدفق الغاز ليكون $1.2 \times 10 = 12$ لترًا / دقيقة.
- يمكنك استخدام الجدول المجاور لإعداد تدفق أكثر دقة. بعد ضبط تدفق الغاز ، ارفع ذراع بكرة الضغط وأغلق غطاء وحدة تغذية السلك.

3.10 ميزات الآلة

هيكل التيار المستمر \ الجهد المستمر
• يسمح باللحام MIG و MMA و TIG

الذاكرة

• هناك 3 ذاكرات عمل تسمح بتسجيل العمل المنجز.

مجموعة متنوعة من وظائف الاستخدام

• يوفر عملية سهلة الاستخدام مع أوضاع MIG / MAG الكلاسيكية والذكية والمتأزرة.

سوفت ستارت

• عن طريق زيادة سرعة السلك تدريجيًا، فإنه يمنع تشكيل الطرقات وبداية الرش.

الأداء الذكي

• يراقب ويحلل باستمرار معاملات اللحام للآلة بفضل التحكم الذكي في الأداء.
• في حالة الظروف الصعبة، تحمي الآلة نفسها لإطالة عمرها وللحماية من الأعطال.
• تتم الإشارة إلى هذه الحماية من خلال تحذير لمبة إشارة حرارية على لوحة الآلة.
• في نهاية فترة الحماية لمدة دقيقتين، يتم تنشيط الآلة مرة أخرى.

المروحة الذكية

• يتم قياس درجة الحرارة الداخلية للآلة بشكل مستمر. يتم زيادة أو تقليل سرعة مروحة التبريد وفقًا لدرجة الحرارة المقاسة. تحت درجة حرارة معينة ، يتوقف الطور تمامًا. بفضل هذه الوظيفة ، يتم تقليل كمية الغبار التي تدخل الجهاز. مع إطالة عمر الماكينة ، يتم توفير الطاقة أيضًا. يوفر أداء تبريد عن طريق تشغيل المروحة أثناء اللحام.

التحكم في التيار / الجهد عن طريق الشعلة

• يمكنك تغيير تيار / جهد اللحام الخاص بك عن طريق الشعلة بدون الذهاب إلى جهازك مع خيار توصيل التحكم ، باستخدام شعلة ذات ميزات مناسبة.

التوافق مع الروبوت

• يوفر سهولة في الاستخدام بفضل هيكله المتوافق مع الروبوت.

التوافق مع المغناطيس

• بفضل الهيكل الجاهز للمغنطة، يتم تخزين معلومات اللحام والبيئة في الوقت الفعلي. بينما يمكن قراءة بعض القيم من لوحة الشاشة في الجزء الأمامي من الجهاز ، يتم تخزين ومراقبة المعلومات الأخرى (إجمالي فعالية المعدات OEE ، ومعلومات اللحام - WP ، والجودة وما إلى ذلك) على منصة المغناطيس. (اختياري)

العمل مع المولدات الكهربائية

• مناسب للعمل مع المولدات. يجب تحديد عدد كيلو فولت أمبير التي ستعمل معها من خلال النظر في المواصفات الفنية.

حماية الطور

• محمي ضد الطور المفقود أو الخاطئ.

حماية الجهد

• إذا كان جهد التيار الكهربائي مرتفعًا جدًا أو منخفضًا ، فإن الآلة تحمي نفسها تلقائيًا عن طريق إعطاء رمز خطأ على الشاشة. بهذه الطريقة ، لا يوجد أي ضرر لمكونات الآلة ، ويتم ضمان عمر الآلة الطويل. بعد عودة الظروف المحيطة إلى طبيعتها ، يتم أيضًا تنشيط وظائف الجهاز.

3.11 قيمة الاستهلاك

الجدول أدناه تُظهر قيم استهلاك متوسطة أثناء عملية اللحام في ظروف مثالية. وقد تختلف هذه القيم اعتماداً على الاستخدام والظروف المحيطة

الاستهلاك المتوسطي للأسلاك أثناء لحام MIG\MAG

الاستهلاك المتوسطي للأسلاك بسرعة الأسلاك في 5 متر/دقيقة

قطر سلك 1.6 ملمتر	قطر سلك 1.2 ملمتر	قطر سلك 1.0 ملمتر	
4,5 (كلغ/ساعة)	2,4 (كلغ/ساعة)	1,5 (كلغ/ساعة)	سلك اللحام المقاوم للصد
1,4 (كلغ/ساعة)	0,8 (كلغ/ساعة)	0,55 (كلغ/ساعة)	سلك اللحام الألومينيوم
4,5 (كلغ/ساعة)	2,6 (كلغ/ساعة)	1,7 (كلغ/ساعة)	سلك اللحام CrNi

الاستهلاك المتوسطي للأسلاك بسرعة الأسلاك في 10 متر/دقيقة

قطر سلك 1.6 ملمتر	قطر سلك 1.2 ملمتر	قطر سلك 1.0 ملمتر	
9,3 (كلغ/ساعة)	4,95 (كلغ/ساعة)	3,5 (كلغ/ساعة)	سلك اللحام المقاوم للصد
3,15 (كلغ/ساعة)	1,73 (كلغ/ساعة)	1,25 (كلغ/ساعة)	سلك اللحام الألومينيوم
9,4 (كلغ/ساعة)	5,2 (كلغ/ساعة)	3,65 (كلغ/ساعة)	سلك اللحام CrNi

الاستهلاك المتوسطي للغاز الواقي أثناء لحام MIG\MAG

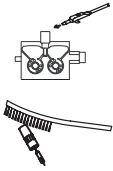
قطر السلك	0.8 ملم	1.0 ملم	1.2 ملم	1.6 ملم	2 ملم
الاستهلاك المتوسطي	8 لتر/دقيقة	10 لتر/دقيقة	12 لتر/دقيقة	16 لتر/دقيقة	20 لتر/دقيقة

معلومات الصيانة والأعطال

- يجب أن يتم إجراء الصيانة والإصلاحات للآلة بواسطة أشخاص مختصين. شركتنا ليست مسؤولة عن الحوادث التي قد تحدث نتيجة تدخلات من قبل أشخاص غير مصرح لهم.
- يمكنك الحصول على الأجزاء التي سيتم استخدامها أثناء الإصلاح من خدماتنا المعتمدة. سيؤدي استخدام قطع الغيار الأصلية إلى إطالة عمر جهازك ومنع فقدان الأداء.
- استشر دائماً الشركة المصنعة أو مركز الخدمة المعتمد المحدد من قبل الشركة المصنعة.
- أي محاولة غير مصرح بها من قبل الشركة المصنعة خلال فترة الضمان ستبطل جميع أحكام الضمان.
- تأكد من الامتثال لقواعد السلامة الحالية أثناء عمليات الصيانة والإصلاح.
- قبل اتخاذ أي إجراء لإصلاح الجهاز ، أفضل قابس التيار الكهربائي بالجهاز وانتظر لمدة 10 ثوانٍ حتى تفرغ المكثفات.

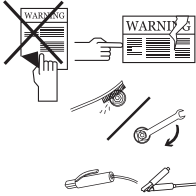
4.1 الصيانة

العناية اليومية



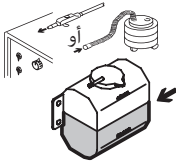
- يجب الحفاظ على آلية تغذية الأسلاك نظيفة ويجب عدم تزييت أسطح الأسطوانة مطلقاً. قم دائماً بتنظيف البقايا المتراكمة على الآلية بمساعدة الهواء الجاف عند كل تغيير في سلك اللحام.
- يجب تنظيف المواد الاستهلاكية الموجودة على الشعلة بانتظام. إذا لزم الأمر ، يجب استبداله. تأكد من أن هذه المواد هي منتجات أصلية للاستخدام طويل الأمد.

مرة كل 3 شهور



- لا تقم بإزالة ملصقات التحذير من على الجهاز. استبدل الملصقات البالية / الممزقة بأخرى جديدة. يمكنك الحصول على الملصقات من الخدمة المعتمدة.
- تحقق من الكمامة والكابلات. انتبه إلى التوصيلات وقوة الأجزاء.
- استبدال الأجزاء التالفة / التالفة بأخرى جديدة. لا تقم أبداً بإضافة / إصلاح الكابلات.
- تأكد من وجود مساحة كافية للتهوية. يجب تنظيف المواد الاستهلاكية الموجودة على شعلة TIG الاختيارية بانتظام. إذا لزم الأمر ، يجب استبداله. يجب توخي الحذر للتأكد من أن هذه المواد هي منتجات أصلية للاستخدام طويل الأمد.

مرة كل 6 شهور



- قم بتنظيف وشد الأجزاء الموصلة مثل البراغي والصواميل.
- تحقق من كمامة القطب الكهربائي وكابلات كمامة التأريض.
- افتح الأغطية الجانبية للآلة ونظفها بضغط هواء جاف منخفض. لا تستخدم الهواء المضغوط من مسافة قريبة إلى المكونات الإلكترونية.
- قم بتجديد المياه في خزان وحدة التبريد المائي بشكل دوري بمياه نظيفة غير كلسية وحمايتها من التجمد باستخدام مضاد التجمد.

ملاحظة: الفترات المذكورة أعلاه هي الفترات القصوى التي يجب تطبيقها إذا لم يواجه جهازك أي مشاكل. يمكنك تكرار العمليات المذكورة أعلاه بشكل متكرر ، اعتماداً على كثافة بيئة عملك وتلوثها.

لا تقم أبداً باللحام بينما تكون أغشية آلة اللحام مفتوحة.



4.2 استكشاف الأخطاء وإصلاحها

تحتوي الجداول التالية على الأخطاء المحتملة والحلول الممكنة.

خطأ	لماذا	حل
الآلة لا تعمل	• البطاقة الإلكترونية معيبة	• الاتصال بالخدمة المعتمدة
	• الاتصال الكهربائي بالآلة معيب	• تأكد من توصيل الآلة بالكهرباء
	• توصيلات الشبكة الكهربائية غير صحيحة	• تأكد من صحة توصيلات التيار الكهربائي
	• قتييل تغذية التيار الكهربائي معيب أو كبل التيار الكهربائي تالف	• تأكد من قتييل تغذية التيار الكهربائي وكابل التيار الكهربائي والمقيس
	• مفتاح التشغيل/الإيقاف لا يعمل بشكل صحيح	• تأكد من مفتاح التشغيل / الإيقاف
محرك تغذية الأسلاك لا يعمل	• محرك وحدة تغذية البطاقات الإلكترونية / الأسلاك معيب	• الاتصال بالخدمة المعتمدة
محرك تغذية الأسلاك يعمل، لكن السلك لا يتقدم	• لا يتم اختيار بكرات تغذية الأسلاك وفقاً لقطر السلك المناسب	• حدد بكرة تغذية الأسلاك المناسبة
	• ضغط ضئيل للغاية على بكرات تغذية الأسلاك	• قم ضبط بكرة الضغط الصحيحة
لا يتم القيام باللحام بشكل جيد	• تم تحديد حجم فوهة الاشتعال بشكل غير صحيح أو أصبحت تالفة	• استبدال فوهة الاشتعال
	• بكرات الضغط تحت ضغط قليل	• ضبط بكرة الضغط الصحيحة
	• كمية كبيرة جداً أو قليلة جداً من الغاز الوافي	• تحقق من الغاز المستخدم وإعداداته. إذا تعذر ضبط الغاز، فاستشر الخدمة المعتمدة
	• لم يتم تحديد معاملات اللحام بشكل صحيح	• تغيير إعدادات الجهد وسرعة الأسلاك
	• كمامة تأريض الجهاز غير متصلة بقطعة العمل	• تأكد من أن الآلة متصلة بجزء كمامة التأريض
تيار اللحام غير مستقر و/أو غير منظم	• الكابلات ونقاط التوصيل تالفة	• تأكد من أن الكابلات قوية وأن نقاط التوصيل غير متآكلة
	• تم تحديد المعامل والمعالج بشكل خاطئ	• تأكد من صحة اختيار المعامل والمعالج
	• قطب كهربائي وقيم تيار غير صحيحة (في اللحام MMA)	• تأكد من القطب الذي يجب توصيل القطب الكهربائي به وقيمة التيار المطلوب ضبطها على الجهاز
	• تأكل طرف التنغستن (عند اللحام TIG)	• تأكد من أن طرف التنغستن نظيف
	• تلف شعلة اللحام (في اللحام MIG، TIG)	• تأكد من سلامة شعلة اللحام
المروحة لا تعمل	• عطل في اللوحة الإلكترونية	• الاتصال بالخدمة المعتمدة
	• فشل البطاقة الإلكترونية / المروحة	• الاتصال بالخدمة المعتمدة
تظهر قيمة 0000 على الشاشة	• لم يتم اختيار معاملات اللحام بشكل صحيح	• يجب تحديد جميع المعاملات مثل نوع السلك ونوع الغاز وما إلى ذلك وفقاً لطريقة اللحام الخاصة بك

4.3 رموز الأخطاء

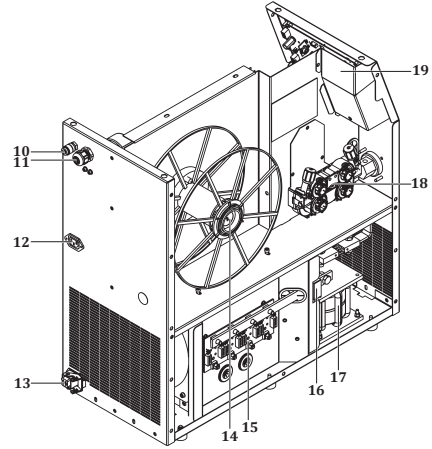
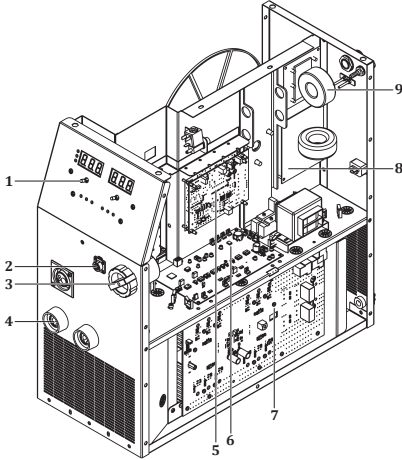
رمز الخطأ	الخطأ	السبب	الحل
E01	خطأ في الاتصال	• في نقاط مختلفة في الجهاز قد تكون مشكلة	• اتصل بالخدمة المعتمدة
E02	الحماية الحرارية	• ربما تم تجاوز وقت تشغيل ألتك.	• دع الآلة تبرد من خلال الانتظار لفترة. إذا اختفى العطل ، فحاول استخدامه بقيم شدة منخفضة
		• قد تكون المروحة لا تعمل	• تحقق بصرياً مما إذا كانت المروحة تعمل أم لا إذا استمرت المشكلة ، فاتصل بالخدمة المعتمدة
		• قد تكون مقدمة قنوات مدخل-مخرج الهواء مغلقة	• افتح مقدمة قنوات الهواء
E03	على خطأ الحالي	• قد تكون بيئة تشغيل الآلة شديدة السخونة أو مخنوقة (عدم التهوية)	• تأكد من أن بيئة عمل الآلة ليست شديدة السخونة أو مخنوقة
		• ربما تكون الآلة قد سحبت تياراً زائداً	• اتصل بالخدمة المعتمدة
E04	”جهد التيار الكهربائي منخفض“	• في نقاط مختلفة في الجهاز قد تكون مشكلة	• اتصل بالخدمة المعتمدة
		• قد يكون الجهد الكهربائي قد انخفض	• افحص كبلات توصيل التيار الكهربائي والجهد وتأكد من توفير مدخل الجهد الصحيح. إذا كان جهد التيار الكهربائي طبيعياً ، فاتصل بالخدمة المعتمدة.
E05	جهاز استشعار درجة الحرارة قراءة خطأ	• قد يكون مستشعر درجة الحرارة مكسوراً أو قد تكون هناك مشكلة في توصيله الكهربائي.	• اتصل بالخدمة المعتمدة
E06	”جهد التيار الكهربائي مرتفع“	• قد يكون الجهد الكهربائي قد زاد	• افحص كبلات توصيل التيار الكهربائي والجهد وتأكد من توفير مدخل الجهد الصحيح. إذا كان جهد التيار الكهربائي طبيعياً ، فاتصل بالخدمة المعتمدة.

AR

المرفقات

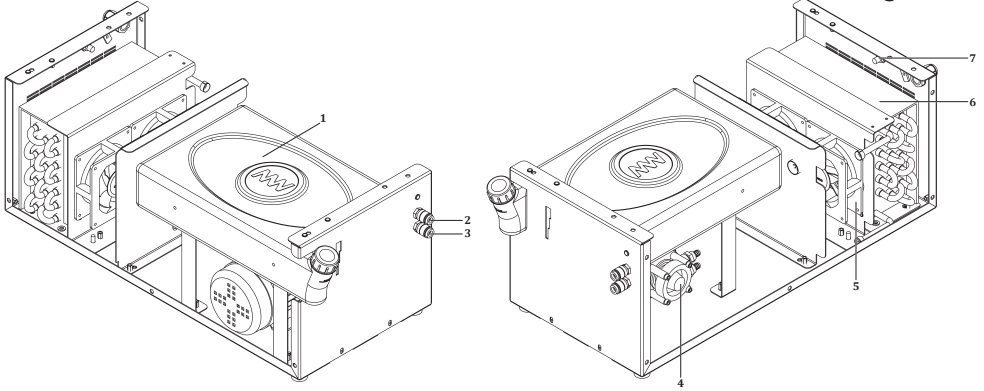
5.1 قوائم قطع الغيار

قائمة قطع غيار مصدر الطاقة



رمز المادة	التعريف	الرقم
A229500001	زر الفعالية	1
A378000103	الموصل	2
A308900004	زر قاطع الدارة	3
A377900106	مقيس اللحام	4
K405000230	لوحة إلكترونية E121A-2	5
K405000324	لوحة إلكترونية E206A-CNT3P	6
K405000253	لوحة إلكترونية E206A-1	7
K405000254	لوحة إلكترونية E202A-FLT4	8
K405000262	مرشح البطاقة الإلكترونية Rs	9
A256006069	غدة صمام الغاز	10
A376400016	اتحاد البلاستيك	11
A378000050	موصل الطاقة	12
A378002002	الموصل	13
A229900003	نظام بكرة نقل الأسلاك ثلاثي التوصيل	14
K405000255	لوحة إلكترونية E202A-4A	15
K405000230	لوحة إلكترونية E121A-2	16
A421050002	ملف خنق	17
K309002213	نظام تغذية الأسلاك	18
K405000312	لوحة إلكترونية E309A-3A	19
K405000313	لوحة إلكترونية E309A-3B	19

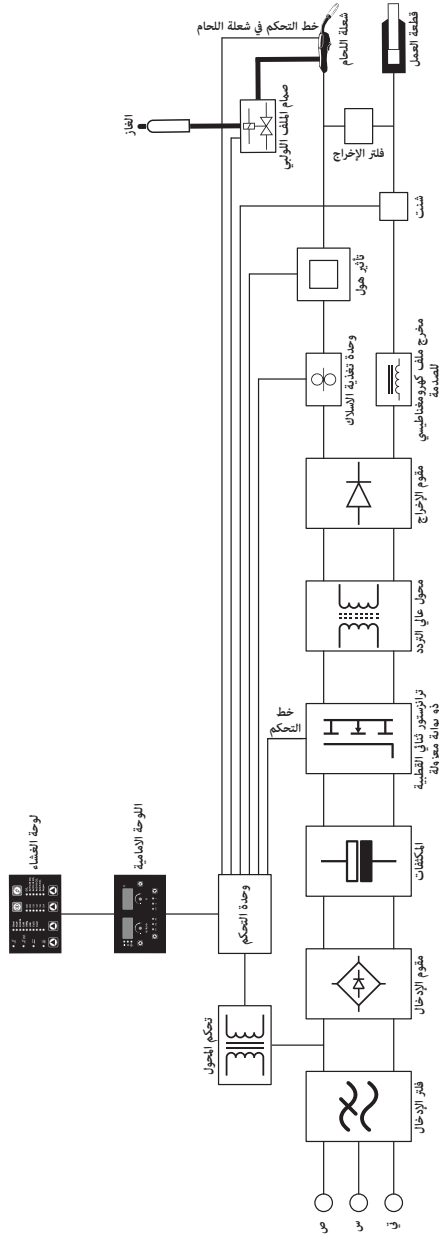
قائمة قطع غيار وحدة تبريد المياه



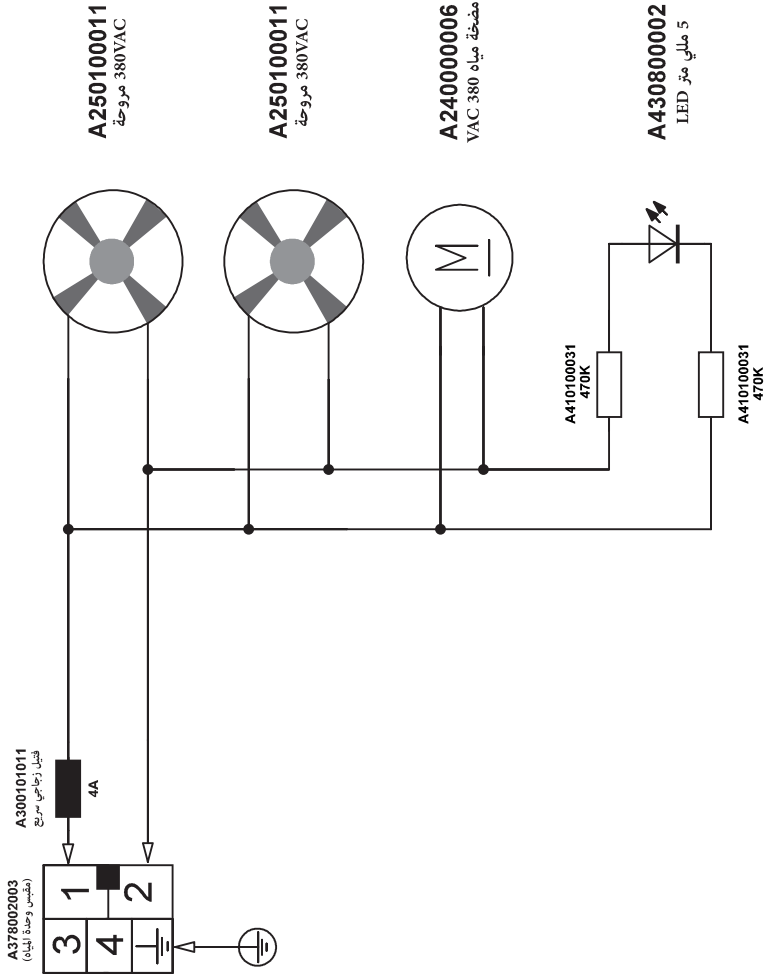
رمز المادة	التعريف	الرقم
A249000005	خزان الماء	1
A245700003	اقتران سريع أزرق	2
A245700002	اقتران سريع أحمر	3
A240000006	مضخة مياه	4
A250001126	المروحة	5
A260000010	المشعاع	6
A300190001	فتيل فتحة زجاجي	7
A300101011	فتيل زجاجي سريع	8

AR

5.2 مخطط الكتلة



5.3 مخطط دائرة وحدة المياه



AR

معلومات المنتج

	الطراز
	الرقم التسلسلي
	الصانع
MAGMA MEKATRONİK MAKİNE SANAYİ VE TİCARET A.Ş.	الاسم
Organize Sanayi Bölgesi 5. Kısım MANİSA	العنوان
+90 236 226 27 00 / info@magmaweld.com	الهاتف / البريد الإلكتروني

معلومات الشراء

	اسم البائع
	المدينة / البلد
	الهاتف / البريد الإلكتروني
	تاريخ الشراء

معلومات العميل

	اسم الشركة
	المدينة / البلد
	الهاتف / البريد الإلكتروني
	اسم جهة الاتصال

معلومات الخدمة (إن وجدت)

	اسم الشركة
	اسم الشخص الفني
	تاريخ التكليف (تاريخ بدء الضمان)

يرجى زيارة موقع الويب www.magmaweld.com/warranty-terms/wt للاطلاع على شروط الضمان.



İÇİNDEKİLER

	GÜVENLİK KURALLARI	322
1	TEKNİK BİLGİLER	
1.1	Genel Açıklamalar	328
1.2	Makine Bileşenleri	328
1.3	Ürün Etiketleri	330
1.4	Teknik Özellikler	332
1.5	Aksesuarlar	332
2	KURULUM BİLGİLERİ	
2.1	Teslim Alırken Dikkat Edilecek Hususlar	333
2.2	Kurulum ve Çalışma Tavsiyeleri	333
2.3	Kaynak Bağlantıları	334
2.3.1	Elektrik Fişi Bağlantısı	334
2.3.2	Toprak Pensesini İş Parçasına Bağlama	334
2.3.3	Gaz Tüpünü Bağlama	334
2.3.4	Su Soğutma Ünitesi	335
3	KULLANIM BİLGİLERİ	
3.1	Tel Sürme Ünitesindeki Ayarlar	336
3.2	Kullanıcı Arayüzü	338
3.3	Uzaktan Kontrol	343
3.4	Ark Boyu Ayarı (ArC)	344
3.5	MIG Eğrisi	344
3.6	Şebekeye Bağlama	345
3.7	Tel Sürme Makarasının Seçim ve Değişimi	345
3.8	Tel Sepetini Yerleştirme ve Teli Sürme	346
3.9	Gaz Debisini Ayarlama	347
3.10	Makine Özellikleri	348
3.11	Tüketim Bilgileri	349
4	BAKIM VE ARIZA BİLGİLERİ	
4.1	Bakım	350
4.2	Hata Giderme	351
4.3	Hata Kodları	352
5	EKLER	
5.1	Yedek Parça Listeleri	353
5.2	Blok Diyagram	355
5.3	Su Ünitesi Devre Şeması	356

✓ GÜVENLİK KURALLARI

Kılavuzda Yer Alan Tüm Güvenlik Kurallarına Uyun!

Güvenlik Bilgilerinin Tanınması



- Kılavuzda yer alan güvenlik sembolleri potansiyel tehlikelerin tanımlanmasında kullanılır.
- Bu kılavuzda herhangi bir güvenlik sembolü görüldüğünde, bir yaralanma riski olduğu anlaşılmalı ve takip eden açıklamalar dikkatlice okunarak olası tehlikeler engellenmelidir.
- Makine sahibi, yetkisiz kişilerin ekipmana erişmesini engellemekten sorumludur.
- Makineyi kullanan kişiler kaynak / kesme konusunda deneyimli veya tam eğitimli kişiler olup; çalışma öncesinde kullanma kılavuzunu okumalı ve güvenlik uyarılarına uymalıdır.

Güvenlik Sembollerinin Tanınması



DİKKAT

Yaralanma ya da hasara neden olabilecek potansiyel tehlikeli bir durumu belirtir. Önlem alınmaması durumunda yaralanmalara veya maddi kayıplara / hasarlara neden olabilir.



ÖNEMLİ

Kullanıma yönelik bilgilendirmeleri ve uyarıları belirtir.



TEHLİKE

Ciddi tehlike olduğunu gösterir. Kaçınılması durumunda ölüm veya ağır yaralanmalar meydana gelebilir.

Güvenlik Uyarılarının Kavranması



- Kullanım kılavuzunu, makine üzerindeki etiket ve güvenlik uyarılarını dikkatli bir şekilde okuyunuz.
- Makine üzerindeki uyarı etiketlerinin iyi durumda olduğundan emin olunuz. Eksik ve hasarlı etiketleri değiştiriniz.
- Makinenin nasıl çalıştırıldığını, kontrollerinin doğru bir şekilde nasıl yapılacağını öğreniniz.
- Makinenizi uygun çalışma ortamlarında kullanınız.
- Makinenizde yapılabilecek uygunsuz değişiklikler makinenizin güvenli çalışmasına ve kullanım ömrüne olumsuz etki eder.
- Cihazın belirtilen koşullar dışında çalıştırılmasından doğan sonuçlardan üretici sorumlu değildir.

Elektrik Çarpmaları Öldürebilir



Kurulum prosedürlerinin ulusal elektrik standartlarına ve diğer ilgili yönetmeliklere uygun olduğundan emin olun ve makinenin yetkili kişiler tarafından kurulmasını sağlayın.

- Kuru ve sağlam izolasyonlu eldiven ve iş önlüğü giyin. Islak ya da hasar görmüş eldiven ve iş önlüklerini kesinlikle kullanmayın.
- Yanma riskine karşı alev dayanıklı koruyucu kıyafetler giyin. Operatörün kullandığı kıyafetler kıvılcım, sıçrıntı ve ark radyasyonuna karşı koruyucu olmalıdır.
- Yalnız başınıza çalışmayın. Bir tehlike durumunda, çalıştığınız ortamda haber verebileceğiniz birinin olduğundan emin olun.
- Elektroda çıplak elle dokunmayın. Elektrod penseninin veya elektrodun herhangi bir kişi ya da topraklanmış nesne ile temas etmesini engelleyin.
- Elektrik taşıyan parçalara kesinlikle dokunmayın.
- Eğer çalışma yüzeyine, zemine ya da başka bir makineye bağlı elektrodla temas halindeyseniz kesinlikle elektrodla dokunmayın.
- Çalışma yüzeyinden ve zeminden kendinizi izole ederek olası muhtemel elektrik şoklarından koruna bilirsiniz. Çalışma yüzeyiyle operatörün temasını kesecek kadar büyük, yanmaz, elektriksiz açıdan yalıtıkan, kuru ve hasarsız izolasyon malzemesi kullanın.
- Elektrod pensesine birden fazla elektrod bağlamayın.
- Topraklama pensenini çalışma parçası ya da çalışma masasına metal metale iyi bir temas sağlayacak şekilde olabildiğince yakın bağlayın.
- Makineyi çalıştırmadan önce torcu kontrol edin. Torcun ve kablolarının iyi durumda olduğundan emin olun. Hasarlı, yıpranmış torcu mutlaka değiştirin.
- Çift açık devre voltajı olacağı için 2 farklı makineye bağlı elektrod penselerine aynı anda dokunmayın.
- Makineyi kullanmadığınız durumlarda kapalı tutun ve kabloların bağlantılarını sökün.
- Makineyi tamir etmeden önce tüm güç bağlantılarını ve/veya bağlantı fişlerini çıkartın ya da makineyi kapatın.
- Uzun şebeke kablosu kullanırken dikkatli olun.
- Tüm bağlantıların sıkı, temiz ve kuru olduğundan emin olun.

- Kabloların kuru, temiz olmasına ve yağlanmamasına özen gösterin. Sıcak metal parçalardan ve kıvılcıklardan koruyun.
- İzolasyonsuz, çıplak kablolar ölümcül tehlike yaratır. Tüm kabloları olası hasarlarla karşı sık sık kontrol edin. Hasarlı ya da izolasyonsuz bir kablo tespit edildiğinde derhal tamir edin veya değiştirin.
- Topraklama sensesi iş parçasına bağlı değil ise herhangi bir metal nesneyle temasını önlemek için izole edin.
- Elektrik hattının topraklamasının doğru yapıldığından emin olun.
- AC kaynak çıkışı ıslak, nemli ya da sıkışık alanlarda ve düşme tehlikesi bulunan yerlerde kullanmayın.
- AC çıkışı yalnızca kaynak prosesi için gerekli olduğu durumlarda kullanın.
- AC çıkış gerekli olduğu durumlarda eğer makinanızda mevcut ise uzaktan kontrol ünitesini kullanın.

Aşağıdaki elektriksiz açılan tehlike içeren durumlardan biri mevcut olduğunda ekstra güvenlik önlemleri alın;

- Nemli yerlerdeyken veya ıslak kıyafetler giyerken,
 - Metal zemin, ızgara veya iskele yapılarında iken,
 - Oturma, diz çökme veya yatma gibi sıkışık konumlarda iken,
 - İş parçası veya zemine temas etme riski yüksek veya kaçınılmaz olduğunda.
- Bu durumlarda aşağıdaki ekipmanlar kullanılabilir;
- Yarı otomatik DC sabit gerilim (CV) MIG kaynak makinesi,
 - DC manuel Örtülü elektrod kaynak makinesi,
 - Var ise düşük açık devre gerilimine (VRD) sahip DC veya AC kaynak makinesi.

**Elektrik Çarpması
Durumunda
Uygulanması
Gerekenler**



- Elektrik gücünü kapatın.
- Elektrik şokuna kapılmış kazazedeyi elektrik taşıyan kablo veya parçalardan kurtarmak için kuru odun gibi iletken olmayan malzemeler kullanın.
- Acil servisi arayın.

İlk yardım eğitiminiz var ise;

- Kazazede nefes alamıyorsa elektrik kaynağı ile temas kesildikten hemen sonra kalp masajı (CPR) uygulayın. Solunum başlayana veya yardım gelene kadar kalp masajına devam edin.
- Otomatik bir elektronik defibrilatörün (AED) mevcut olduğu durumlarda talimatlara uygun şekilde kullanın.
- Elektrik yanığını termal yanık gibi soğuk kompres uygulayarak tedavi edin.
- Enfeksiyon kapmasını önleyin ve temiz, kuru bir örtü ile örtün.

**Hareketli Parçalar
Yaralanmalara
Yol Açabilir**



- Hareket halinde olan nesnelere uzak durun.
- Makine ve cihazlara ait tüm kapak, panel, kapı vb. koruyucuları kapalı ve kilitli tutun.
- Ağır cisimlerin düşme olasılığına karşı metal burunlu ayakkabı giyin.

**Duman ve Gazlar
Sağlığınız İçin
Zararlı Olabilir**



Kaynak ve kesme işlemi yapılırken çıkan duman ve gazın uzun süre solunması çok tehlikelidir.

- Gözlerde, burunda ve boğazda meydana gelen yanma hissi ve tahrişler; yetersiz havalandırmanın belirtileridir. Böyle bir durumda derhal havalandırmayı arttırın, sorunun devam etmesi halinde kaynak / kesme işlemini durdurun.
- Çalışma alanında doğal ya da suni bir havalandırma sistemi oluşturun.
- Kaynak / kesme işlemi yapılan yerlerde uygun bir duman emme sistemi kullanın. Gerekiyorsa tüm atölyede biriken duman ve gazları dışarıya atabilecek bir sistem kurun. Deşarj esnasında çevreyi kirletmemek için uygun bir filtrasyon sistemi kullanın.
- Dar ve kapalı alanlarda çalışıyorsanız veya kurşun, berilyum, kadmiyum, çinko, kaplı ya da boyalı malzemelerin kaynağını yapıyorsanız, yukarıdaki önlemlere ilave olarak temiz hava sağlayan maskeler kullanın.
- Gaz tüpleri ayrı bir bölgede gruplandırılmışsa buraların iyi havalandırılması sağlayın, gaz tüpleri kullanımında değilken ana vanalarını kapalı tutun, gaz kaçaklarına dikkat edin.
- Argon gibi koruyucu gazlar havadan daha yoğun ve kapalı alanlarda kullanıldıkları takdirde havanın yerine solunabilirler. Bu da sağlığınız için tehlikelidir.
- Kaynak / kesme işlemlerini yağlama veya boyama işlemlerinde açığa çıkan klorlu hidrokarbon buharlarının olduğu ortamlarda yapmayın.
- Bazı kaynak / kesim yapılan parçalar için özel havalandırma gerekir. Özel havalandırma gerektiren ürünlerin güvenlik kuralları dikkatlice okunmalıdır. Gaz maskesi takılması gereken durumlarda uygun gaz maskesi takılmalıdır.

Siçrıntı ve Ark Işığı Gözlerinizi ve Cildinize Zarar Verebilir



- Gözlerinizi ve yüzünüzü korumak için standarda uygun koruyucu maske ile ona uygun cam filtre kullanın.
- Vücutunuzun diğer çıplak kalan yerlerini (kollar, boyun, kulaklar, vb) uygun koruyucu giysilerle siçrıntı ve ark ışınlarından koruyun.
- Çevrenizdeki kişilerin ark ışınlarından ve sıcak metallere zarar görmemeleri için çalışma alanınızı göz hizasından yüksek, aleve dayanıklı paravanlarla çevirin ve uyarı levhaları asın.
- Buz tutmuş boruların ısıtılmasında kullanılmaz. Kaynak / kesme makinesiyle yapılan bu işlem tesisatınızda patlama, yangın veya hasara neden olur.

Kıvılcımlar ve Siçrayan Parçalar Gözlerinizi Yaralayabilir



- Kaynak / kesme yapmak, yüzey taşlamak, fırçalamak gibi işlemler kıvılcımlara ve metal parçacıklarının siçramasına neden olur. Oluşabilecek yaralanmaları önlemek için koruyucu maskesinin altına, kenar korumalıkları olan onaylanmış koruyucu iş gözlükleri takın.

Sıcak Parçalar Ağır Yanıklara Neden Olabilir



- Sıcak parçalara çıplak el ile dokunmayın.
- Makinenin parçaları üzerinde çalışmadan önce soğumaları için gerekli sürenin geçmesini bekleyin.
- Sıcak parçaları tutmanız gerektiğinde, uygun alet, ısıl izolasyonu yüksek kaynak / kesme eldiveni ve yanmaz giysiler kullanın.

Gürültü, Duyma Yeteneğinize Zarar Verebilir



- Bazı ekipman ve işlemlerin oluşturacağı gürültü, duyma yeteneğinize zarar verebilir.
- Eğer gürültü seviyesi yüksek ise onaylanmış kulak koruyucularını takın.

Kaynak Teli Yaralanmalara Yol Açabilir



- Kaynak teli sargısını boşaltırken torcu vücudun herhangi bir bölümüne, diğer kişilere ya da herhangi bir metale doğru tutmayın.
- Kaynak telini makaradan elle açarken özellikle ince çaplarda tel, bir yay gibi elinizden fırlayabilir, size veya çevrenizdeki diğer kişilere zarar verebilir; bu işlemi yaparken özellikle gözlerinizi ve yüzünüzü koruyun.

Kaynak / Kesme İşlemi Yangınlara ve Patlamalara Yol Açabilir



- Yanıcı maddelere yakın yerlerde kesinlikle kaynak / kesim yapmayın. Yangın çıkabilir veya patlamalar olabilir.
- Kaynak / kesme işlemine başlamadan önce bu maddeleri ortamdan uzaklaştırın veya yanmalarını ve harlamalarını önlemek için koruyucu örtülerle üstlerini örtün.
- Bu alanlarda ulusal ve uluslararası özel kurallar geçerlidir.

- Tamamen kapalı tüplere ya da borulara kaynak / kesme işlemi uygulamayın.
- Tüp ve kapalı konteynerlere kaynak / kesme yapmadan önce bunları açın, tamamıyla boşaltıp, havalandırıp temizleyin. Bu tip yerlerde yapacağımız kaynak / kesme işlemlerinde mümkün olan en büyük dikkati gösterin.
- İşlemler daha önce, patlama, yangın ya da diğer tepkimelere neden olabilecek maddeler bulunan tüp ve borulara boş dahi olsalar kaynak / kesme yapmayın.
- Kaynak / kesme işlemi esnasında yüksek sıcaklık oluşur. Bu nedenle kolay yanabilecek veya hasar görebilecek yüzeylerin üzerine yerleştirmeyin !

- Kıvılcımlar ve siçrayan parçalar yangına sebep olabilir. Bu nedenle yangın söndürücü tüp, su, kum gibi malzemeleri kolay ulaşabileceğiniz yerlerde bulundurun.
- Yanıcı, patlayıcı ve basınçlı gaz devreleri üzerinde geri tepme ventilleri, gaz regülatörleri ve vanalarını kullanın. Bunların periyodik kontrollerinin yapıpı sağlıklı çalışmasına dikkat edin.

Makine ve Aparatlarla Yetkisiz Kişiler Tarafından Bakım Yapılması Yaralanmalara Neden Olabilir



- Elektrikli cihazlar yetkisiz kişilere tamir ettirilmemelidir. Burada yapılabilecek hatalar kullanımda ciddi yaralanmalara veya ölümlere neden olabilir
- Gaz devresi elemanları basınç altında çalışmaktadır; yetkisiz kişiler tarafından verilen servisler sonucunda patlamalar olabilir, kullanıcılar ciddi şekilde yaralanabilir.
- Makinenin ve yan birimlerinin her yıl en az bir kez teknik bakımının yaptırılması tavsiye edilir.

Küçük Hacimli Kapalı Alanlarda Kaynak / Kesme



- Küçük hacimli ve kapalı alanlarda mutlaka bir başka kişi eşliğinde kaynak / kesme işlemlerini yapın.
- Mümkün olduğu kadar bu tarz kapalı yerlerde kaynak / kesme işlemleri yapmaktan kaçınınız.

Taşıma Esnasında Gerekli Önlemlerin Alınmaması Kazalara Neden Olabilir



- Makinenin taşınmasında gerekli tüm önlemleri alınız. Taşıma yapılacak alanlar, taşımada kullanılacak parçalar ile taşımayı gerçekleştirecek kişinin fiziki koşulları ve sağlığı taşıma işlemine uygun olmalıdır.
- Bazı makineler son derece ağırdır, bu nedenle yerleri değiştirirken gerekli çevresel güvenlik önlemlerinin alındığından emin olunmalıdır.
- Makine bir platform üzerinden kullanılacaksa, bu platformun uygun yük taşıma sınırlarına sahip olduğu kontrol edilmelidir.
- Bir vasıta yardımı ile (taşıma arabası, forklift vb.) taşınacak ise vasıtanın ve makineyi vasıtaya bağlayan bağlantı noktalarının (taşıma askısı, kayış, civata, somun, tekerlek vb.) sağlamlığından emin olunuz.
- Elle taşıma işlemi gerçekleştirilecek ise Makine aparatlarının (taşıma askısı, kayış vb.) ve bağlantılarının sağlamlığından emin olunuz.
- Gerekli taşıma koşullarının sağlanması için Uluslararası Çalışma Örgütü'nün taşıma ağırlığı ile ilgili kurallarını ve ülkenizde var olan taşıma yönetmeliklerini göz önünde bulundurunuz.
- Güç kaynağının yerini değiştirirken her zaman tutamakları veya taşıma halkalarını kullanın. Asla torç, kablo veya hortumlardan çekmeyin. Gaz tüplerini mutlaka ayrı taşıyın.
- Kaynak / kesme ekipmanlarını taşımadan önce tüm ara bağlantılarını sökün, ayrı ayrı olmak üzere, küçük olanları saplarından, büyükleri ise taşıma halkalarından ya da forklift gibi uygun kaldırma ekipmanları kullanarak kaldırın ve taşıyın.

Düşen Parçalar Yaralanmalara Sebep Olabilir



Güç kaynağının ya da diğer ekipmanların doğru konumlandırılmaması, kişilerde ciddi yaralanmalara ve diğer nesnelere de maddi hasara neden olabilir.

- Makinenin düşmeyecek ve devrilmeyecek şekilde maksimum 10° eğime sahip zemin ve platformlara yerleştirin. Malzeme akışına engel olmayacak, kablo ve hortumlara takılma riskinin oluşmayacağı, hareketsiz; ancak geniş, rahat havalandırılabilir, tozsuz alanları tercih edin. Gaz tüplerinin devrilmemesi için tüpe uygun gaz platformu bulunan makinelerde platformun üzerine, sabit kullanımlarda ise devrilmeyecek şekilde zincirle duvara sabitleyin.
- Operatörlerin makine üzerindeki ayarlara ve bağlantılara kolayca ulaşmasını sağlayın.

Aşırı Kullanım Makinenin Aşırı Isınmasına Neden Olur



- Çalışma çevrimi oranlarına göre makinenin soğumasına müsaade edin.
- Akımı veya çalışma çevrimi oranını tekrar kaynağa / kesmeye başlamadan önce düşürün.
- Makinenin havalandırma girişlerinin önünü kapamayın.
- Makinenin havalandırma girişlerine, üretici onayı olmadan filtre koymayın.

Ark Kaynağı Elektromanyetik Parazitlere Neden Olabilir



- Bu cihaz TS EN 55011 standardına göre EMC testlerinde grup 2, class A dir.
- Bu class A cihaz elektriksel gücün alçak gerilim şebekeden sağlandığı meskun mahallerde kullanım amacıyla üretilmemiştir. Bu gibi yerlerde iletilen ve yayılan radyo frekans parazitlerinden dolayı elektromanyetik uyumluluğu sağlamakta ilgili muhtemel zorluklar olabilir.



Bu cihaz IEC 61000 -3 - 12 uyumlu değildir. Evlerde kullanılan alçak gerilim şebekesine bağlanmak istenmesi durumunda, elektrik bağlantısını yapacak tesisatçının veya makineyi kullanacak kişinin, makinenin bağlanabilirliği konusunda bilgi sahibi olması gereklidir, bu durumda sorumluluk kullanıcıya aittir.

- Çalışma bölgesinin elektromanyetik uyumluluğa (EMC) uygun olduğundan emin olun. Kaynak / kesme işlemi esnasında oluşabilecek elektromanyetik parazitler, elektronik cihazlarınızda ve şebekenizde istenmeyen etkilere neden olabilir. İşlem sırasında oluşabilecek bu parazitlerin neden olabileceği etkiler kullanıcının sorumluluğu altındadır.
- Eğer herhangi bir parazit oluşuyorsa, uygunluğu sağlamak için; kısa kablo kullanımı, korumalı (zırhlı) kablo kullanımı, makinenin başka bir yere taşınması, kabloların etkilenen cihaz ve/veya bölgeden uzaklaştırılması, filtre kullanımı veya çalışma alanının EMC açısından korunmaya alınması gibi ekstra önlemler alınabilir.
- Olası EMC hasarlarını engellemek için kaynak / kesme işlemlerinizi hassas elektronik cihazlarınızdan mümkün olduğunca uzakta (100 m) gerçekleştirin.
- Makinenizi kullanma kılavuzuna uygun şekilde kurulum yerleştirildiğinden emin olun.

Çalışma Alanının IEC 60974-9 madde 5.2'ye göre;**Elektromanyetik Uygunluğunun Değerlendirilmesi**

Kaynak / kesme donanımı tesis etmeden önce, işletme yetkilisi ve / veya kullanıcı, çevredeki olası elektromanyetik parazitler hakkında bir inceleme yapmalıdır. Aşağıda belirtilen haller göz önünde bulundurulmalıdır;

- Kaynak / kesme makinesi ve donanımının üstünde, altında ve yanındaki diğer besleme kabloları, kontrol kabloları, sinyal ve telefon kabloları,
- Radyo ve televizyon vericileri ve alıcıları,
- Bilgisayar ve diğer kontrol donanımı,
- Kritik güvenlik donanımı, örneğin endüstriyel donanımın korunması,
- Çevredeki insanların tıbbi aparatları, örneğin kalp pilleri ve işitme cihazları,
- Ölçme veya kalibrasyon için kullanılan donanım,
- Ortamdaki diğer donanımın bağışıklığı. Kullanıcı, çevrede kullanılmakta olan diğer donanımın uyumlu olmasını sağlamalıdır. Bu, ilave koruma önlemleri gerektirebilir,
- Kaynak / kesme işleminin gün içindeki gerçekleştirileceği zaman, göz önüne alınarak çevrenin büyüklüğü, binanın yapısına ve binada yapılmakta olan diğer faaliyetlere göre inceleme alanı sınırları genişletilebilir.

Alanın değerlendirilmesine ek olarak cihaz kurulumlarının değerlendirilmesi de bozucu etkinin çözümü için gerekli olabilir. Gerek görülmesi durumunda, yerinde ölçümler azaltıcı önlemlerin verimliliklerini onaylamak için de kullanılabilir.

(Kaynak: IEC 60974-9).

Parazit Azaltma Yöntemleri

- Cihaz tavsiye edilen şekilde ve yetkili bir kişi tarafından elektrik şebekesine bağlanmalıdır. Eğer parazit oluşursa şebekenin filtrelenmesi gibi ek önlemler uygulanabilir. Sabit montajlı ark kaynağı ekipmanının beslemesi metal bir boru içerisinden veya eşdeğer ekranlı bir kablo ile yapılmalıdır. Ekran ile güç kaynağının mahfazası bağlı olmalı ve bu iki yapı arasında iyi bir elektriksel temas sağlanmalıdır.
- Cihazın tavsiye edilen rutin bakımları yapılmalıdır. Cihaz kullanımdayken, kaportanın tüm kapakları kapalı ve / veya kilitle olmalıdır. Cihaz üzerinde üreticinin yazılı onayı olmadan standart ayarları dışında herhangi bir değişiklik, modifikasyon kesinlikle yapılamaz. Aksi durumda oluşabilecek her türlü sonuçtan kullanıcı sorumludur.
- Kaynak / kesme kabloları mümkün olduğunca kısa tutulmalıdır. Çalışma alanının zemininden yan yana olacak şekilde ilerlemelidirler. Kaynak / kesme kabloları hiçbir şekilde sarılmamalıdır.
- Kaynak / kesme esasında makinede manyetik alan oluşmaktadır. Bu durum makinenin metal parçaları kendi üzerine çekmeye sebebiyet verebilir. Bu çekimi engellemek adına metal malzemelerin güvenli mesafede veya sabitlenmiş olduğundan emin olunuz. Operatör, bütün bu birbirine bağlanmış metal malzemelerden yalıtılmalıdır.
- İş parçasının elektriksel güvenlik amacıyla veya boyutu ve pozisyonu sebebiyle toprağa bağlanmadığı durumlarda (örneğin gemi gövdesi veya çelik konstrüksiyon imalatı) iş parçası ile toprak arasında yapılacak bir bağlantı bazı durumlarda emisyonları düşürebilir. İş parçasının topraklanmasının kullanıcıların yaralanmasına veya ortamdaki diğer elektrikli ekipmanların arıza yapmasına neden olabileceği unutulmamalıdır. Gerekli hallerde iş parçası ile toprak bağlantısı doğrudan yapılabildiği şekilde yapılabilir fakat doğrudan bağlantıya izin verilemeyen bazı ülkelerde bağlantı yerel düzenleme ve yönetmeliklere uygun olarak, uygun kapasite elemanları kullanılarak oluşturulabilir.
- Çalışma alanındaki diğer cihazların ve kabloların ekranlanması ve muhafazası bozucu etkilerin önüne geçilmesini sağlayabilir. Kaynak / kesme bölgesinin tamamının ekranlanması bazı özel uygulamalar için değerlendirilebilir.

Elektromanyetik Alan (EMF)

Herhangi bir iletken üzerinden geçen elektrik akımı, bölgesel elektrik ve manyetik alanlar (EMF) oluşturur.

Operatörler EMF'ye maruz kalmının sebep olduğu riski en aza indirmek için aşağıdaki prosedürleri uygulamalıdır;

- Manyetik alanı azaltmak adına kaynak / kesme kabloları bir araya getirilmeli, mümkün olduğunca birleştirici malzemelerle (bant, kablo bağı vb.) emniyet altına alınmalıdır.
- Operatörün gövdesi ve başı, kaynak / kesme makine ve kablolarından mümkün olduğunca uzakta tutulmalıdır,
- Kaynak / kesme ve elektrik kabloları vücudun etrafına hiçbir şekilde sarılmamalıdır,
- Vücut, kaynak / kesme kablolarının arasında kalmamalıdır. Kaynak / kesme kablolarının her ikisi yan yana olmak üzere vücudun uzağında tutulmalıdır,
- Dönüş kablosu iş parçasına, kaynak / kesme yapılan bölgeye mümkün olduğunca yakın bir şekilde bağlanmalıdır,
- Güç ünitesine yaslanmamalı, üzerine oturmamalı ve çok yakınında çalışılmamalıdır,
- Güç ünitesini veya tel besleme ünitesini taşıırken kaynak / kesme işlemi yapılmamalıdır.

EMF ayrıca, kalp pilleri gibi tıbbi implantların (vücut içine yerleştirilen madde) çalışmasını bozabilir. Tıbbi implantları olan kişiler için koruyucu önlemler alınmalıdır. Örneğin, yoldan geçenler için erişim sınırlaması koyulabilir veya operatörler için bireysel risk değerlendirmeleri yapılabilir. Bir tip uzmanı tarafından, tıbbi implantları olan kullanıcılar için risk değerlendirmesi yapılıp, öneride bulunulmalıdır.

**Koruma**

- Makineyi yağmura maruz bırakmayın, üzerine su sıçramasına veya basınçlı buhar gelmesine engel olun.

Enerji Verimliliği

- Yapacağınız kaynak / kesme işlemine uygun yöntem ve makine tercihinde bulunun.
- Kaynak / kesme yapacağınız malzemeye ve kalınlığına uygun akım ve / veya gerilimi seçin.
- Kaynak / kesme yapmadan uzun süre beklenilecekse, fan makineyi soğuttuktan sonra makineyi kapatın. Akıllı fan kontrolü olan makinelerimiz kendi kendine duracaktır.

Atık Prosedürü

- Sahip olduğunuz kaynak makinesi evsel kullanım için tasarlanmamıştır. Bu ürün Atık Elektrikli ve Elektronik Eşyaların (AEEE) Kontrolü Yönetmeliği kapsamında değerlendirilmekte olup Magmaweld söz konusu yönetmeliğin 15.maddesinde belirtilen toplama hedeflerinden muaftır.
- Magmaweld ürettiği kaynak makinelerinin AEEE yönetmeliği hükümlerine uygun olarak üretilmiş olduğunu taahhüt eder.

GARANTİ FORMU

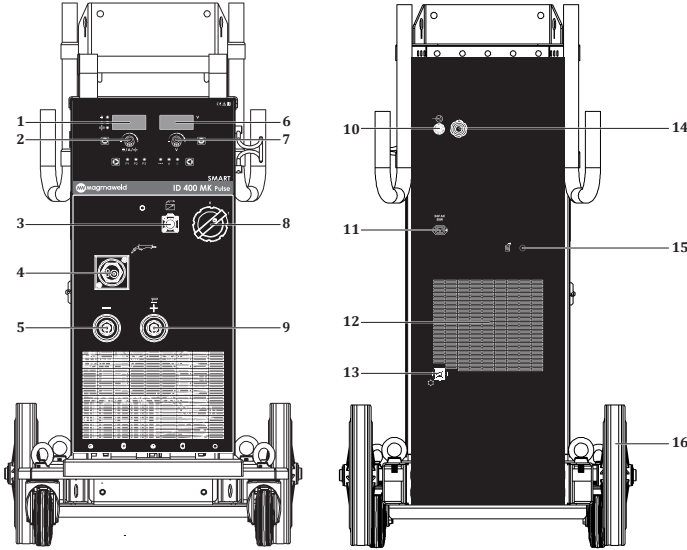
Garanti Formu için www.magmaweld.com.tr/garanti-formu/wr web sitemizi ziyaret ediniz.

TEKNİK BİLGİLER

1.1 Genel Açıklamalar

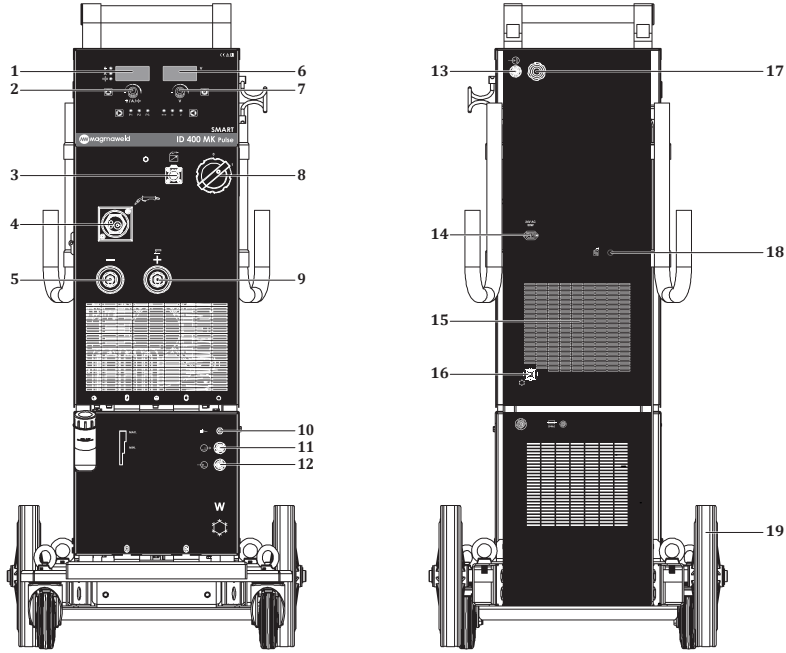
ID 300 MK / MKW PULSE SMART, ID 400 MK / MKW PULSE SMART ağır koşullar için tasarlanmış, Pulse teknolojisine sahip üç fazlı endüstriyel invertör MIG / MAG kaynak makinesidir. Kompakt yapısı ile kolay hareket imkanı sunar. Tüm masif ve özlü teller ile mükemmel kaynak karakteristiğine sahiptir. CC / CV güç kaynağı; MIG, TIG, MMA kaynak yöntemleri ve karbon kesimini tek bir makine ile gerçekleştirmenizi sağlar. Sinerjik özelliği sayesinde tel tipi, kalınlık ve gaz tipini belirledikten sonra kaynak akımı ve voltajı otomatik olarak ayarlanır. Klasik ve akıllı modları, kullanıcının sinerjik moda adapte olmasını kolaylaştırır.

1.2 Makine Bileşenleri



Şekil 1 : ID 300 MK PULSE SMART / ID 400 MK PULSE SMART
Ön ve Arka Görünüm

- | | |
|---------------------------|----------------------------------|
| 1- Dijital Ekran | 9- Elektrod (+) Kutup Bağlantısı |
| 2- Ayar Potu | 10- Gaz Girişi |
| 3- Data Soketi | 11- Isıtıcı Priz Soketi |
| 4- Torç Bağlantısı | 12- Fan |
| 5- Kutup Bağlantısı | 13- Su Ünitesi Enerji Soketi |
| 6- Dijital Ekran | 14- Şebeke Kablosu |
| 7- Ayar Potu | 15- Bidon Tel Girişi |
| 8- Açma / Kapama Anahtarı | 16- Tekerlek |



**Şekil 2 : ID 300 MKW PULSE SMART / ID 400 MKW PULSE SMART
Ön ve Arka Görünüm**

- | | |
|----------------------------------|-------------------------------|
| 1- Dijital Ekran | 11- Su Ünitesi Sıcak Su Giriş |
| 2- Ayar Potu | 12- Su Ünitesi Soğuk Su Çıkış |
| 3- Data Soketi | 13- Gaz Girişi |
| 4- Torç Bağlantısı | 14- Isıtıcı Priz Soketi |
| 5- Kutup Bağlantısı | 15- Fan |
| 6- Dijital Ekran | 16- Su Ünitesi Enerji Soketi |
| 7- Ayar Potu | 17- Şebeke Kablosu |
| 8- Açma / Kapama Anahtarı | 18- Bidon Tel Girişi |
| 9- Elektrod (+) Kutup Bağlantısı | 19- Tekerlek |
| 10- Su Ünitesi Ledi | |

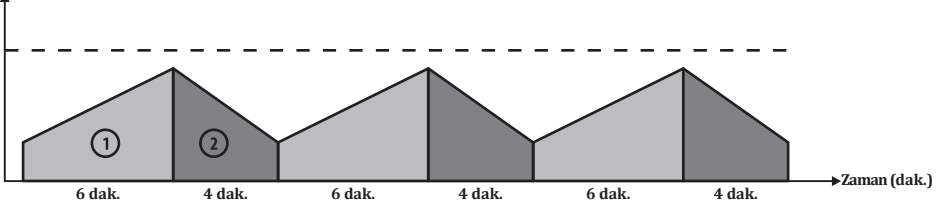
1.3 Ürün Etiketi

MAGMA MEKATRONİK MAKİNE SAN. VE TİC. A.Ş. Organize Sanayi Bölgesi 5.Kısım Manisa-TÜRKİYE																																																	
ID 300MK Pulse SMART					S/N:																																												
					EN 60974-1 / EN 60974-10 Class A																																												
<table border="1" style="width: 100%;"> <tr> <td colspan="5" style="text-align: center;">50A / 22V - 300A / 32V</td> </tr> <tr> <td colspan="2" style="text-align: center;">$X_{(400C)}$</td> <td style="text-align: center;">40%</td> <td style="text-align: center;">60%</td> <td style="text-align: center;">100%</td> </tr> <tr> <td colspan="2" style="text-align: center;">I_2</td> <td style="text-align: center;">300A</td> <td style="text-align: center;">245A</td> <td style="text-align: center;">190A</td> </tr> <tr> <td colspan="2" style="text-align: center;">U_2</td> <td style="text-align: center;">32V</td> <td style="text-align: center;">29.8V</td> <td style="text-align: center;">27.6V</td> </tr> </table>					50A / 22V - 300A / 32V					$X_{(400C)}$		40%	60%	100%	I_2		300A	245A	190A	U_2		32V	29.8V	27.6V	<table border="1" style="width: 100%;"> <tr> <td colspan="5" style="text-align: center;">50A / 16.5V - 300A / 29V</td> </tr> <tr> <td colspan="2" style="text-align: center;">$X_{(400C)}$</td> <td style="text-align: center;">40%</td> <td style="text-align: center;">60%</td> <td style="text-align: center;">100%</td> </tr> <tr> <td colspan="2" style="text-align: center;">I_2</td> <td style="text-align: center;">300A</td> <td style="text-align: center;">245A</td> <td style="text-align: center;">190A</td> </tr> <tr> <td colspan="2" style="text-align: center;">U_2</td> <td style="text-align: center;">29V</td> <td style="text-align: center;">26.2V</td> <td style="text-align: center;">23.5V</td> </tr> </table>					50A / 16.5V - 300A / 29V					$X_{(400C)}$		40%	60%	100%	I_2		300A	245A	190A	U_2		29V	26.2V	23.5V
50A / 22V - 300A / 32V																																																	
$X_{(400C)}$		40%	60%	100%																																													
I_2		300A	245A	190A																																													
U_2		32V	29.8V	27.6V																																													
50A / 16.5V - 300A / 29V																																																	
$X_{(400C)}$		40%	60%	100%																																													
I_2		300A	245A	190A																																													
U_2		29V	26.2V	23.5V																																													
		$I_{Tmax} = 23.2A$		$I_{Tref} = 14.7A$				$I_{Tmax} = 21.3A$		$I_{Tref} = 13.5A$																																							
IP21S																																																	
MAGMA MEKATRONİK MAKİNE SAN. VE TİC. A.Ş. Organize Sanayi Bölgesi 5.Kısım Manisa-TÜRKİYE																																																	
ID 300MKW Pulse SMART					S/N:																																												
					EN 60974-1 / EN 60974-10 Class A																																												
<table border="1" style="width: 100%;"> <tr> <td colspan="5" style="text-align: center;">50A / 22V - 300A / 32V</td> </tr> <tr> <td colspan="2" style="text-align: center;">$X_{(400C)}$</td> <td style="text-align: center;">40%</td> <td style="text-align: center;">60%</td> <td style="text-align: center;">100%</td> </tr> <tr> <td colspan="2" style="text-align: center;">I_2</td> <td style="text-align: center;">300A</td> <td style="text-align: center;">245A</td> <td style="text-align: center;">190A</td> </tr> <tr> <td colspan="2" style="text-align: center;">U_2</td> <td style="text-align: center;">32V</td> <td style="text-align: center;">29.8V</td> <td style="text-align: center;">27.6V</td> </tr> </table>					50A / 22V - 300A / 32V					$X_{(400C)}$		40%	60%	100%	I_2		300A	245A	190A	U_2		32V	29.8V	27.6V	<table border="1" style="width: 100%;"> <tr> <td colspan="5" style="text-align: center;">50A / 16.5V - 300A / 29V</td> </tr> <tr> <td colspan="2" style="text-align: center;">$X_{(400C)}$</td> <td style="text-align: center;">40%</td> <td style="text-align: center;">60%</td> <td style="text-align: center;">100%</td> </tr> <tr> <td colspan="2" style="text-align: center;">I_2</td> <td style="text-align: center;">300A</td> <td style="text-align: center;">245A</td> <td style="text-align: center;">190A</td> </tr> <tr> <td colspan="2" style="text-align: center;">U_2</td> <td style="text-align: center;">29V</td> <td style="text-align: center;">26.2V</td> <td style="text-align: center;">23.5V</td> </tr> </table>					50A / 16.5V - 300A / 29V					$X_{(400C)}$		40%	60%	100%	I_2		300A	245A	190A	U_2		29V	26.2V	23.5V
50A / 22V - 300A / 32V																																																	
$X_{(400C)}$		40%	60%	100%																																													
I_2		300A	245A	190A																																													
U_2		32V	29.8V	27.6V																																													
50A / 16.5V - 300A / 29V																																																	
$X_{(400C)}$		40%	60%	100%																																													
I_2		300A	245A	190A																																													
U_2		29V	26.2V	23.5V																																													
		$I_{Tmax} = 23.2A$		$I_{Tref} = 14.7A$				$I_{Tmax} = 21.3A$		$I_{Tref} = 13.5A$																																							
IP21S																																																	
MAGMA MEKATRONİK MAKİNE SAN. VE TİC. A.Ş. Organize Sanayi Bölgesi 5.Kısım Manisa-TÜRKİYE																																																	
ID 400MK Pulse SMART					S/N:																																												
					EN 60974-1 / EN 60974-10 Class A																																												
<table border="1" style="width: 100%;"> <tr> <td colspan="5" style="text-align: center;">50A / 22V - 400A / 36V</td> </tr> <tr> <td colspan="2" style="text-align: center;">$X_{(400C)}$</td> <td style="text-align: center;">40%</td> <td style="text-align: center;">60%</td> <td style="text-align: center;">100%</td> </tr> <tr> <td colspan="2" style="text-align: center;">I_2</td> <td style="text-align: center;">400A</td> <td style="text-align: center;">327A</td> <td style="text-align: center;">253A</td> </tr> <tr> <td colspan="2" style="text-align: center;">U_2</td> <td style="text-align: center;">36V</td> <td style="text-align: center;">33.1V</td> <td style="text-align: center;">30.1V</td> </tr> </table>					50A / 22V - 400A / 36V					$X_{(400C)}$		40%	60%	100%	I_2		400A	327A	253A	U_2		36V	33.1V	30.1V	<table border="1" style="width: 100%;"> <tr> <td colspan="5" style="text-align: center;">50A / 16.5V - 400A / 34V</td> </tr> <tr> <td colspan="2" style="text-align: center;">$X_{(400C)}$</td> <td style="text-align: center;">40%</td> <td style="text-align: center;">60%</td> <td style="text-align: center;">100%</td> </tr> <tr> <td colspan="2" style="text-align: center;">I_2</td> <td style="text-align: center;">400A</td> <td style="text-align: center;">327A</td> <td style="text-align: center;">253A</td> </tr> <tr> <td colspan="2" style="text-align: center;">U_2</td> <td style="text-align: center;">34V</td> <td style="text-align: center;">30.3V</td> <td style="text-align: center;">26.6V</td> </tr> </table>					50A / 16.5V - 400A / 34V					$X_{(400C)}$		40%	60%	100%	I_2		400A	327A	253A	U_2		34V	30.3V	26.6V
50A / 22V - 400A / 36V																																																	
$X_{(400C)}$		40%	60%	100%																																													
I_2		400A	327A	253A																																													
U_2		36V	33.1V	30.1V																																													
50A / 16.5V - 400A / 34V																																																	
$X_{(400C)}$		40%	60%	100%																																													
I_2		400A	327A	253A																																													
U_2		34V	30.3V	26.6V																																													
		$I_{Tmax} = 33.5A$		$I_{Tref} = 21.2A$				$I_{Tmax} = 32.1A$		$I_{Tref} = 20.3A$																																							
IP21S																																																	
MAGMA MEKATRONİK MAKİNE SAN. VE TİC. A.Ş. Organize Sanayi Bölgesi 5.Kısım Manisa-TÜRKİYE																																																	
ID 400MKW Pulse SMART					S/N:																																												
					EN 60974-1 / EN 60974-10 Class A																																												
<table border="1" style="width: 100%;"> <tr> <td colspan="5" style="text-align: center;">50A / 22V - 400A / 36V</td> </tr> <tr> <td colspan="2" style="text-align: center;">$X_{(400C)}$</td> <td style="text-align: center;">40%</td> <td style="text-align: center;">60%</td> <td style="text-align: center;">100%</td> </tr> <tr> <td colspan="2" style="text-align: center;">I_2</td> <td style="text-align: center;">400A</td> <td style="text-align: center;">327A</td> <td style="text-align: center;">253A</td> </tr> <tr> <td colspan="2" style="text-align: center;">U_2</td> <td style="text-align: center;">36V</td> <td style="text-align: center;">33.1V</td> <td style="text-align: center;">30.1V</td> </tr> </table>					50A / 22V - 400A / 36V					$X_{(400C)}$		40%	60%	100%	I_2		400A	327A	253A	U_2		36V	33.1V	30.1V	<table border="1" style="width: 100%;"> <tr> <td colspan="5" style="text-align: center;">50A / 16.5V - 400A / 34V</td> </tr> <tr> <td colspan="2" style="text-align: center;">$X_{(400C)}$</td> <td style="text-align: center;">40%</td> <td style="text-align: center;">60%</td> <td style="text-align: center;">100%</td> </tr> <tr> <td colspan="2" style="text-align: center;">I_2</td> <td style="text-align: center;">400A</td> <td style="text-align: center;">327A</td> <td style="text-align: center;">253A</td> </tr> <tr> <td colspan="2" style="text-align: center;">U_2</td> <td style="text-align: center;">34V</td> <td style="text-align: center;">30.3V</td> <td style="text-align: center;">26.6V</td> </tr> </table>					50A / 16.5V - 400A / 34V					$X_{(400C)}$		40%	60%	100%	I_2		400A	327A	253A	U_2		34V	30.3V	26.6V
50A / 22V - 400A / 36V																																																	
$X_{(400C)}$		40%	60%	100%																																													
I_2		400A	327A	253A																																													
U_2		36V	33.1V	30.1V																																													
50A / 16.5V - 400A / 34V																																																	
$X_{(400C)}$		40%	60%	100%																																													
I_2		400A	327A	253A																																													
U_2		34V	30.3V	26.6V																																													
		$I_{Tmax} = 33.5A$		$I_{Tref} = 21.2A$				$I_{Tmax} = 32.1A$		$I_{Tref} = 20.3A$																																							
IP21S																																																	

	Üç Fazlı Transformator Doğrultucu	X	Çalışma Çevrimi
CC / CV	Sabit Akım / Sabit Voltaj	U ₀	Boşta Çalışma Gerilimi
	Doğru Akım	U ₁	Şebeke Gerilimi ve Frekansı
	MIG / MAG Kaynağı	U ₂	Anma Kaynak Gerilimi
	Şebeke Girişi-3 Fazlı Alternatif Akım	I ₁	Şebekeden Çekilen Anma Akımı
	Tehlikeli Ortamlarda Çalışmaya Uygun	I ₂	Anma Kaynak Akımı
S/N	Seri Numarası	S ₁	Şebekeden Çekilen Güç
• S / N (Seri Numara) Açıklaması		IP21	Koruma Sınıfı

Makine ID				Üretim				Sıra No				
		Yıl		Hafta								
X	X	X	X	X	X	X	X	X	X	X	X	X
Makine Grubu	Model Sırası							0 yıl içerisinde üretilen makine sıra numarası				

Çalışma Çevrimi
Sıcaklık (C°)



EN 60974-1 standardında da tanımlandığı üzere çalışma çevrim oranı 10 dakikalık bir zaman periyodunu içerir. Örnek olarak %60'da 250A olarak belirtilen bir makinede 250A'de çalışılmak isteniyorsa, makine 10 dakikalık zaman periyodunun ilk 6 dakikasında hiç durmadan kaynak / kesme yapabilir (1 bölgesi). Ancak bunu takip eden 4 dakika makine soğuması için boşta bekletilmelidir (2 bölgesi).

1.4 Teknik Özellikler

TEKNİK ÖZELLİKLER		BİRİM	ID 300 MK/MKW PULSE SMART
Şebeke Gerilimi (3 faz - 50-60 Hz)		V	400
Şebekeden Çekilen Güç (%40)		kVA	14,7
Güç Kaynağı Verimliliği		%	MMA 86,21 / MIG 87,01
İşlevsiz Durum Güç Tüketimi		W	23
Kaynak Akım Ayar Sahası		ADC	50 - 300
Anma Kaynak Akımı (%40)		ADC	300
Açık Devre Gerilimi		VDC	82
Boyutlar (UxGxY)	MK	mm	1138 x 528 x 837
	MKW		1180 x 528 x 1137
Ağırlık	MK	kg	86
	MKW		110
Koruma Sınıfı			IP21S

TEKNİK ÖZELLİKLER		BİRİM	ID 400 MK/MKW PULSE SMART
Şebeke Gerilimi (3 faz - 50-60 Hz)		V	400
Şebekeden Çekilen Güç (%40)		kVA	22,1
Güç Kaynağı Verimliliği		%	MMA 86,61 / MIG 87,07
İşlevsiz Durum Güç Tüketimi		W	23
Kaynak Akım Ayar Sahası		ADC	50 - 400
Anma Kaynak Akımı (%40)		ADC	400
Açık Devre Gerilimi		VDC	82
Boyutlar (UxGxY)	MK	mm	1138 x 528 x 837
	MKW		1180 x 528 x 1137
Ağırlık	MK	kg	86
	MKW		110
Koruma Sınıfı			IP21S

1.5 Aksesuarlar

STANDART AKSESUARLAR	ADET	ID 300 MK/MKW PULSE SMART	ID 400 MK/MKW PULSE SMART
Topraklama Pensesi ve Kablosu	1	7905203505 (35 mm ² - 5 m)	7905305005 (50 mm ² - 5 m)
Gaz Hortumu	1	7907000002	
MIG/MAG CO ₂ Aksesuar Seti*	1	-	
MIG/MAG Mix / Argon Aksesuar Seti*	1	-	

* Sipariş esnasında belirtilmelidir.

OPSİYONEL AKSESUARLAR	ADET	ID 300 - 400 MK/MKW PULSE SMART
CO ₂ Isıtıcı (24V)	1	7020009003
Gaz Regülatörü (CO ₂)	1	7020001005
Gaz Regülatörü (Mix)	1	7020001004
Lava MIG 50W Su Soğutmalı MIG Torcu (3 m)	1	7120050003

KURULUM BİLGİLERİ

2.1 Teslim Alırken Dikkat Edilecek Hususlar

Sipariş ettiğiniz tüm malzemelerin gelmiş olduğundan emin olun. Herhangi bir malzemenin eksik veya hasarlı olması halinde derhal aldığımız yer ile temasa geçin.

Standart kutu şunları içermektedir;

- Ana makine ve ona bağlı şebeke kablosu
- Topraklama pensesi ve kablosu
- Tüp hortumu
- Garanti belgesi
- Kaynak teli
- Kullanım kılavuzu

Hasarlı teslimat halinde tutanak tutun, hasarın resmini çekin, irsaliyenin fotokopisi ile birlikte nakliyeciyi firmaya bildirin. Sorunun devam etmesi halinde müşteri hizmetleri ile irtibata geçin.

Cihaz üzerindeki sembol ve anlamları;



Kaynak yapma işlemi tehlike içermektedir. Uygun çalışma koşulları sağlanmalı ve gerekli önlemler alınmalıdır. Uzman kişiler makinede sorumlu olup, gerekli donanımları sağlamalıdır. İlgili olmayan kişiler kaynak sahasından uzak tutulmalıdır.



Bu cihaz IEC 61000-3-12 uyumlu değildir. Evlerde kullanılan alçak gerilim şebekesine bağlanmak istenmesi durumunda, elektrik bağlantısını yapacak tesisatçının veya makineyi kullanacak kişinin, makinenin bağlanabilirliği konusunda bilgi sahibi olması gereklidir, bu durumda sorumluluk kullanıcıya aittir.



Cihaz üzerinde ve kullanım kılavuzunda bulunan güvenlik sembollerine ve uyarı notlarına dikkat edilmeli, etiketleri sökülmemelidir.



Izgaralar havalandırma amaçlıdır. Açıklıkların üzeri iyi bir soğutma sağlamak amacıyla örtülmemeli ve içeriye yabancı cisim sokulmamalıdır.

2.2 Kurulum ve Çalışma Tavsiyeleri

- Makineyi taşımak için kaldırma halkaları ya da forklift kullanılmalıdır. Makineyi gaz tüpüyle birlikte kaldırmayın. Çanta tipi taşınabilir kaynak makinelerinde elle taşıma yapılırken İş Sağlığı ve Güvenliği yönetmeliğine uygun şekilde hareket edilmelidir. Taşıma işleminin mümkün olduğu kadar sağlıklı ve güvenli şartlarına uygun olarak yapılabilmesi için işyerinde gerekli düzenlemeler yapılmalıdır. Çalışma ortamının özellikleri ve yapılan işin gereklerine uygun önlemler alınmalıdır. Makine düşmeyeceği ve devrilmeyeceği sert, düzgün ve eğimsiz bir zemine yerleştirilmelidir.
- Makineyi direk güneş ışığı altında çalıştırmayın. Ortam sıcaklığının 40°C aştığı durumlarda, makineyi daha düşük akımda ya da daha çevrim oranında çalıştırın.
- Dış mekanlarda rüzgar ve yağmur varken kaynak yapmaktan kaçının. Bu tür durumlarda kaynak yapmak zorluyorsa, kaynak bölgesini ve kaynak makinesini perde ve tenteye koruyun.
- Makineyi konumlandırırken duvar, perde, pano gibi materyallerin makinenin kontrol ve bağlantılarına kolay erişimi engellemediğinden emin olun.
- İçeride kaynak yapıyorsanız, uygun bir duman emme sistemi kullanın. Kapalı mekanlarda kaynak dumanı ve gazı soluma riski varsa, solunum aparatları kullanın.
- Ürün etiketinde belirtilen çalışma çevrimi oranlarına uyun. Çalışma çevrimi oranlarını sıklıkla aşmak, makineye hasar verebilir ve bu durum garantiyi geçersiz kılar.
- Belirtilen sigorta değerine uygun beslenme kablosu kullanılmalıdır.
- Toprak kablosunun kaynak bölgesinin olabildiğince yakınına sıkıca bağlayın. Kaynak akımının kaynak kabloları dışındaki elemanlardan, örneğin makinenin kendisi, gaz tüpü, zincir, rulman üzerinden geçmesine izin vermeyin.
- Gaz tüpü makinenin üzerine yerleştirildiğinde, derhal zinciri bağlayarak gaz tüpünü sabitleyin. Eğer gaz tüpünü makinenin üzerine yerleştirmeyeceksiniz, tüpü zincirle duvara sabitleyin.
- Makinenin arkasında yer alan elektrik prizi CO₂ ısıtıcı içindir. CO₂ prizine CO₂ ısıtıcı dışında bir cihazı kesinlikle bağlamayın!

2.3 Kaynak Bağlantıları

2.3.1 Elektrik Fişi Bağlantısı



Güvenliğiniz için, makinenin şebeke kablosunu kesinlikle fişsiz kullanmayın.

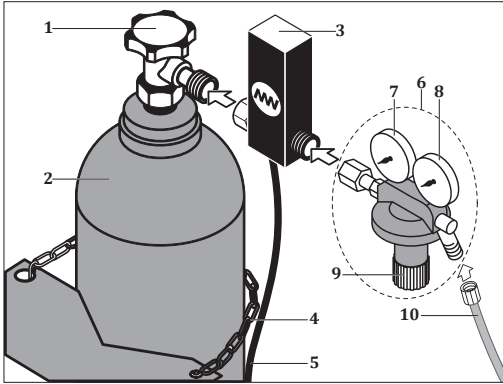
- Fabrika, şantiye ve atölyelerde farklı prizler bulunabileceği için şebeke kablosuna bir fiş bağlanmamıştır. Prize uygun bir fiş, kalifiye bir elektrikçi tarafından bağlanmalıdır. Sarı/Yeşil renkte ve ⊕ ile işaretlenmiş olan toprak kablosunun mevcut olduğundan emin olun.
- Fişi kabloya bağladıktan sonra, bu aşamada prize takmayın.

2.3.2 Toprak Pensesini İş Parçasına Bağlama

- Topraklama pensesini, kaynak yapılacak bölgeye olabildiğince yakın yerden iş parçasına sıkıca bağlayın.

2.3.3 Gaz Tüpünü Bağlama

- Eğer gaz tüpünü makine üzerindeki gaz tüp taşıma platformu üzerinde kullanacaksanız gaz tüpünü buraya yerleştirip derhal zincirle sabitleyin.
- Eğer gaz tüpünü makine üzerine yerleştirmeyecekseniz zincirle duvara sabitleyin.
- Emniyetle çalışmak ve en iyi sonuçları elde etmek için standartlara uygun regülatör ve ısıtıcılar kullanın.
- Kullanacağınız gaz regülatörünün hortum bağlantısının ebadının 3/8 olduğundan emin olun.
- Gaz tüpü vanasını başınızı ve yüzünüzü tüp vanasının çıkışından uzak tutarak açın ve 5 sn açık tutun. Bu sayede olası tortu ve pislükler dışarı atılacaktır.
- Eğer CO₂ ısıtıcı kullanılacaksa, öncelikle CO₂ ısıtıcıyı gaz tüpüne bağlayın. Gaz regülatörünü CO₂ ısıtıcıya bağladıktan sonra CO₂ ısıtıcının fişini makinenin arkasındaki CO₂ ısıtıcı prizine takın.
- Eğer CO₂ ısıtıcı kullanılmayacaksa gaz regülatörünü gaz tüpüne bağlayın.
- Tüp hortumunun bir ucunu gaz regülatörüne bağlayın ve kelepçesini sıkın. Diğer ucunu makinenin arkasındaki gaz girişine bağlayın ve somununu sıkın.
- Gaz tüpü vanasını açarak tüpünün doluluğunu ve gaz yolunda herhangi bir sızıntı olmadığını kontrol edin. Eğer sızıntı göstergesi olarak bir ses duyar ve/veya gaz kokusu hissederseniz bağlantılarınızı gözden geçirin ve sızıntıyı ortadan kaldırın.



- | | |
|---|---------------------|
| 1- Gaz Tüpü Vanası | 6- Gaz Regülatörü |
| 2- Gaz Tüpü | 7- Manometre |
| 3- CO ₂ Isıtıcı | 8- Debimetre |
| 4- Zincir | 9- Debi Ayar Vanası |
| 5- CO ₂ Isıtıcı Enerji Kablosu | 10- Tüp Hortumu |

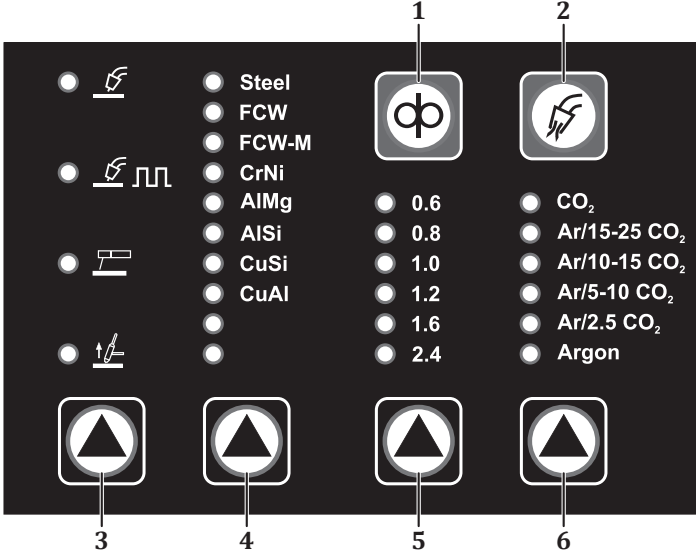
Şekil 3 : Gaz Tüpü Isıtıcı - Regülatör Bağlantıları

2.3.4 Su Soğutma Ünitesi

- Su soğutma ünitesi torcu soğutmak için kullanılan radyatör, fan, pompa soğutma sıvısı deposundan oluşan bir kapalı devre sistemidir.
- Ara paketin soğuk (mavi) su hortumunu su soğutma sistemi üzerindeki soğuk su çıkışına, sıcak (kırmızı) su hortumunu su soğutma sistemi üzerindeki sıcak su girişine bağlayın.
- Magmaweld kaynak makineleri, en iyi performansı verecek şekilde üretilmiş Magmaweld soğutma sıvısı ile beraber gelir. Soğutma sıvısının eksilmesi durumunda soğutma sıvısı deposu kapağını açıp, çalışma ortamının sıcaklığına uygun Magmaweld soğutma sıvısı ilave edin. Soğutma sıvısı ünitenin ön panelinde gösterilen minimum ve maksimum değerleri içerisinde olmalıdır.
- Farklı soğutma sıvısı ya da su eklenmemelidir. Farklı sıvı eklentileri kimyasal tepkimelere ya da farklı problemlere neden olabilir.
- Farklı sıvı eklentisi yapılması durumunda ortaya çıkabilecek risklerden Magmaweld sorumlu değildir. Magmaweld soğutma sıvısına farklı soğutma sıvısı ya da su eklentisi yapılması durumunda tüm garanti hükümleri geçersiz olacaktır.
- Farklı marka soğutma sıvısı kullanılmak istenirse soğutma sıvısı deposunun içerişi tamamıyla boş olmalı, içerişinde herhangi bir kalıntı ya da sıvı kalmamalıdır.
- Su soğutma ünitelerinin, Magma Mekatronik Makine Sanayi ve Ticaret. A.Ş. firması kaynak makineleri haricinde kullanılması uygun değildir. Su soğutma üniteleri, harici besleme ile çalıştırılmaz.

KULLANIM BİLGİLERİ

3.1 Tel Sürme Ünitesindeki Ayarlar



1-) SERBEST TEL

Butona basılı tutulduğu sürece tel sürülür, gaz ventilü çalışmaz. Bu butonu teli torca sürmek için kullanabilirsiniz.

2-) SERBEST GAZ

Butona basılı tutulduğu sürece gaz akışı sağlanır; tel sürme çalışmaz. Bu butonu gaz değişikliğinden sonra kullanabilirsiniz.

3-) KAYNAK YÖNTEMİ SEÇİMİ

Kaynak yöntemi seçimi yapılır. Butona her basışta ilgili sütunda satırlar arası geçiş sağlanır. Kaynak yöntemi seçili olduğunda ilgili led yanacaktır.

Ayar Aralığı



- MIG/MAG



- Pulse MIG/MAG



Pulse kaynak yöntemi sadece Pulse içeren modellerde bulunur. Pulse olmayan modellerde bu satıra gelindiğinde led yanmayacak ve Pulse aktif olmayacaktır.

- MMA



Seçilen kaynak yöntemine göre bağlantılarınızı ve aksesuarlarınızı ayarlamamız gerekmektedir. Makine önünde MMA yöntemi için ayrı bir çıkış bulunmaktadır.

- Lift TIG



Lift TIG kaynak yönteminde torç konnektör bağlantısı için uygun aparat kullanılmalıdır. Özel aparat sayesinde Euro connectore uyumlu hale gelmiş olacaktır.

4-) TEL TİPİ SEÇİMİ

Tel tipi seçimi yapılır. Kullanılacak olan tel tipi doğru olarak seçilmelidir. Butona her basışta ilgili sütunda satırlar arası geçiş sağlanır. Tel tipi seçili olduğunda ilgili led yanacaktır.

Ayar Aralığı

- Steel
- AlMg
- FCW
- AlSi
- FCW-M
- CuSi
- CrNi
- CuAl

5-) TEL ÇAPI SEÇİMİ

Tel çapı seçimi yapılır. Kullanılacak olan tel çapı doğru olarak seçilmelidir. Butona her basışta ilgili sütunda satırlar arası geçiş sağlanır. Tel çapı seçili olduğunda ilgili led yanacaktır.

Ayar Aralığı

- 0.6 - 2.4 mm

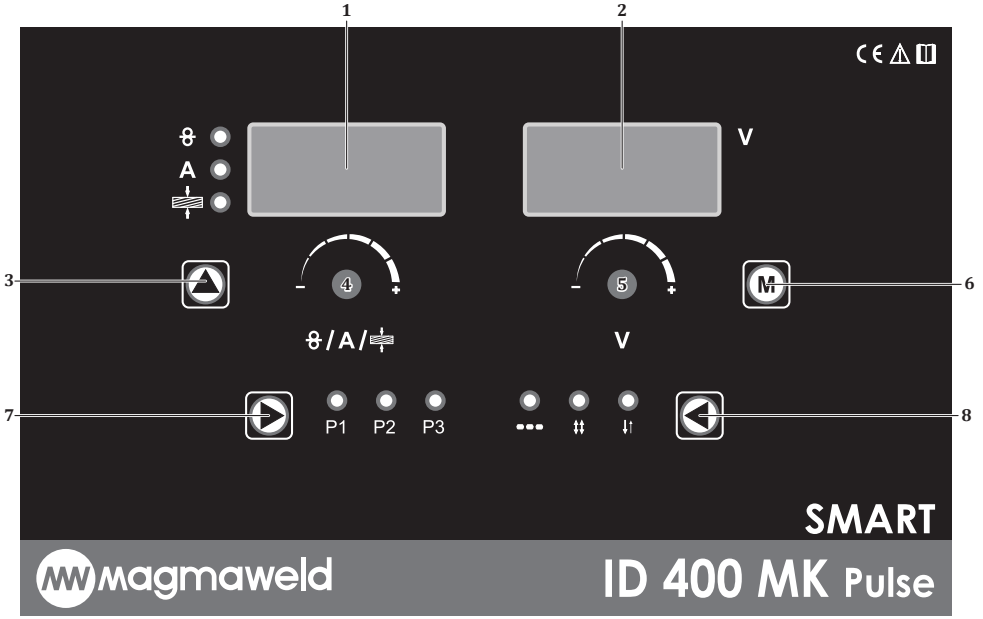
6-) GAZ TİPİ SEÇİMİ

Gaz tipi seçimi yapılır. Kullanılacak olan gaz tipi doğru olarak seçilmelidir. Butona her basışta ilgili sütunda satırlar arası geçiş sağlanır. Gaz tipi seçili olduğunda ilgili led yanacaktır.

Ayar Aralığı

- CO²
- Ar/5-10 CO²
- Ar/15-25 CO²
- Ar/2.5 CO²
- Ar/10-15 CO²
- Argon

3.2 Kullanıcı Arayüzü



1-) SOL DİJİTAL EKRAN

Menü içeriğini, hata mesajlarını, seçilen moda bağlı olarak boşta/yük anında tel hızı ve kaynak akımı, kalınlık değerini gösterir. Tüm parametreler dijital ekran üzerinden görülmektedir.

	Boşta	Yükte
Sinerjik Mod	Malzeme Kalınlığı	Kaynak akımı
Akıllı Mod	Kaynak set akım	Kaynak akımı
Klasik Mod	Tel hızı	Kaynak akımı

2-) SAĞ DİJİTAL EKRAN

Fonksiyonların ayar parametrelerini ve seçilen moda bağlı olarak boşta veya yük anında kaynak voltajını gösterir.

	Boşta	Yükte
Sinerjik Mod	Kaynak set volt	Kaynak voltajı
Akıllı Mod	Kaynak set volt	Kaynak voltajı
Klasik Mod	Kaynak set volt	Kaynak voltajı

3-) KAYNAK MODU SEÇİMİ

Kaynak modu seçimi yapılır. Butona her basışta ilgili sütunda satırlar arası geçiş sağlanır. Kaynak modu seçili olduğunda ilgili led yanacaktır.

Ayar Aralığı



• Klasik Mod



• Akıllı Mod



• Sinerjik Mod

Yöntem sekmesinden yaptığınız seçim kaynak modu seçeneklerinde farklılaşma oluşturur. Kaynak yöntemi olarak MIG/MAG kaynak yöntemi seçildiğinde modlar şu şekildedir:

KLASİK MOD	AKILLI MOD	SİNERJİK MOD
Seçili iken tel hızı ve kaynak voltajını belirli tolerans aralığında kendiniz ayarlayabilirsiniz. Tel hızı 1-24 m/dk, kaynak voltajı 15-40 V arasında ayarlanır.	Seçili iken tel tipi, tel çapı, gaz tipi gibi kaynak parametrelerinin doğru olarak seçilmesi gerekmektedir. Seçilen kaynak akımına göre optimum voltajı makine otomatik olarak ayarlar. Belirli tolerans aralığında ayar butonunu +/- yönde çevirerek voltajı ayarlayabilirsiniz.	Seçili iken tel tipi, tel çapı, gaz tipi ve kalınlık gibi kaynak parametrelerinin doğru olarak seçilmesi gerekmektedir. Seçilen kaynak parametrelerine göre hem akım hem voltaj otomatik olarak kendini ayarlar. Kullanıcı belirli tolerans aralığında hem akım hem voltajda gezinebilir. Belirli toleransta ayarlanan akım değerine göre makine otomatik olarak voltajı yeniden hesaplayacaktır.

! *Makinenin orijinalde hangi değeri önerdiğini görmek ve o değere geri dönmek isterseniz ayar düğmesinin üzerine bir kere basmanız yeterli olacaktır.*

Kaynak yöntemi olarak Pulse MIG/MAG kaynak yöntemi seçildiğinde modlar şu şekildedir:

! *Pulseli modellerde aktif olacaktır.*

KLASİK MOD	AKILLI MOD	SİNERJİK MOD
Seçili iken tel hızı ve kaynak voltajını belirli tolerans aralığında kendiniz ayarlayabilirsiniz. Tel hızı 1-24 m/dk, kaynak voltajı 15-40 V arasında ayarlanır.	Seçili iken tel tipi, tel çapı, gaz tipi gibi kaynak parametrelerinin doğru olarak seçilmesi gerekmektedir. Seçilen kaynak akımına göre optimum voltajı makine otomatik olarak ayarlar. Belirli tolerans aralığında ayar butonunu +/- yönde çevirerek voltajı ayarlayabilirsiniz.	Seçili iken tel tipi, tel çapı, gaz tipi ve kalınlık gibi kaynak parametrelerinin doğru olarak seçilmesi gerekmektedir. Seçilen kaynak parametrelerine göre hem akım hem voltaj otomatik olarak kendini ayarlar. Kullanıcı belirli tolerans aralığında hem akım hem voltajda gezinebilir. Belirli toleransta ayarlanan akım değerine göre makine otomatik olarak voltajı yeniden hesaplayacaktır.

Kaynak yöntemi olarak MMA ve Lift TIG kaynak seçildiğinde mod kısmında seçim bulunmamaktadır:

4-) AYAR POTU

Pot (4) sağa sola çevrilerek ayar yapılır.

- MMA kaynak yöntemi seçili olduğunda pot ile akım ayarı yapılır.
- Lift TIG kaynak yöntemi seçili olduğunda pot ile akım ayarı yapılır.
- Klasik mod seçili olduğunda pot ile tel hızı ayarlanır.
- Akıllı mod seçili olduğunda pot ile akım ayarlanır; ayarlanan akıma karşı voltaj otomatik olarak hesaplanır.
- Sinerjik mod seçili olduğunda pot ile kaynatılacak malzemenin kalınlığı seçilir; ayarlanan kalınlığa göre voltaj otomatik olarak hesaplanır.
- Butona (6) basılıp fonksiyonlar kısmına geçildiğinde ilgili fonksiyonda kayıt yapmak için pota bir kez basıp diğer fonksiyona geçiş yapmanız gerekmektedir.

Örneğin ;

Ön gaz (PrE) fonksiyonu seçili olsun; (5) pot ile ayar yapıldıktan sonra bu değer kaydedilmek istenirse (4) pota bir kez basıp diğer fonksiyon olan son gaz geçilmesi gerekmektedir (PoS). Eğer (4) pota basıp bir sonraki fonksiyona (PoS) geçilmezse, direkt ana sayfaya dönülürse kayıt yapılmamış olur.

5-) AYAR POTU

Pot (5) sağa sola çevrilerek ayar yapılır.

- Klasik mod seçili olduğunda voltaj değeri ayarlanır.
- Akıllı mod seçili olduğunda (4) pot ile ayarlanan akıma karşılık voltaj otomatik hesaplanır. Belirli tolerans aralığında (5) potu sağa sola çevirerek voltajı ayarlayabilirsiniz.
- Sinerjik mod seçili olduğunda belirlenen parametrelere göre voltaj otomatik olarak hesaplanır. Belirli tolerans aralığında (5) potu sağa sola çevirerek voltajı ayarlayabilirsiniz.
- Buton (6) seçildiğinde fonksiyonlar açılacaktır. Pot ile ilgili fonksiyonların ayarı yapılır.

6-) FONKSİYON SEÇİMİ

Butona (6) bir kez basıldığında fonksiyonlar açılacaktır. Ana sayfaya dönmek için butona tekrar basmanız yeterlidir. Pot (5) sağa sola döndürülerek seçili fonksiyonda ayar yapılır; seçili ayar kaydedilmek istenildiğinde bir sonraki fonksiyona geçmek gerekir. Kaydetmek için pota (4) bir kez basmak yeterlidir böylece ayar kaydedilmiş ve bir sonraki fonksiyona geçilmiş olur. Menü kısmında sırasıyla aşağıdaki fonksiyonlar bulunmaktadır:

PrE

Ön Gaz

Ön gaz süresi ayarlanır.

Ayar Aralığı

- 0 - 9.9 sn.

Belirtilen süre kadar kaynağa başlamadan önce gaz gelir ve sonrasında kaynak başlar. Kaynak başlangıcında kaynak havuzunu korumayı sağlar.

PoS

Son Gaz

Son gaz süresi ayarlanır.

Ayar Aralığı

- 0 - 9.9 sn.

Belirtilen süre kadar kaynak bitiminden sonra gaz gelir ve kaynak sonlanır. Kaynak bitiminde kaynak havuzunu korumayı sağlar.

brn

Geri Yanma

Geri yanma ayarı yapılır.

Ayar Aralığı

- + 25 - 25

Geri yanmada ekranda görülen değer "+" ise tel belirtilen süre kadar öne çıkacaktır, eğer ekranda görülen değer "-" ise belirtilen süre kadar telde geri yanma devam edecektir. Kaynak işlemi bittiğinde kaynak telinin kontak memeye yapışmasını engeller.

Pon

Kaynak Süresi

Metod seçili olduğunda kaynak yapılacak süre ayarlanır.

Ayar Aralığı

- 0.2 - 9.9 sn.

PoF

Boşluk Süresi

Metod seçili olduğunda kaynak yapılmayacak süre ayarlanır.

Ayar Aralığı

- 0.0 - 9.9 sn.

SoS

Soft Start

Soft start ayarı yapılır.

Ayar Aralığı

- On - Off

Kaynağa ilk başlarken tel hızı düşük hızdan ayarlanan hıza yavaş yavaş yükselir. Bu sayede kaynak başlangıcında vuruntular ve sıçrıntular engellenir.

Crt

Krater

Krater fonksiyonu ayarı yapılır.

Ayar Aralığı

- On - Off

Kaynak bitiminde oluşacak çatlamları engellemek için yapılan dolgu işlemidir. Krater aktif olduğunda kaynak bitiminde kaynak akımı belirli bir lineerlikle düşürülüp kaynak sonlanır.

TR

7-) PROGRAM SEÇİMİ

Yapılan işlerin kaydedilmesi için kullanılır. 3 adet hafıza bulunmaktadır. Hangi programda işlem yapılıyorsa o programın ledi (7) yanacaktır. Programı kaydetmek için butona bir kez basıp diğer programa geçiş yapmak gerekir. Eğer 3 numaralı programa kayıt yapacaksanız P3 numaralı led yanarken ayarlarınızı yaptıktan sonra kaydetmek için butona bir kez basmanız yeterli olacaktır. Böylece tüm program ledleri sönmüş olacaktır. P3 programından sonra program kaydı yapılmadan çalışmayı sağlayan alan bulunmaktadır. Bu alandayken program kaydı yapılmaz ve program ledleri kapalı olur.

Ayar Aralığı

- P1 - P2 - P3

8-) TETİK MODU SEÇİMİ

Tetik modu seçimi için kullanılır. Butona (8) her başışta diğer tetik moduna geçiş yapılır.

Ayar Aralığı

- 2 Tetik
- 4 Tetik
- Metod



Tetiğe Basın



Tetiğe Basılı Tutun



Tetiği Bırakın

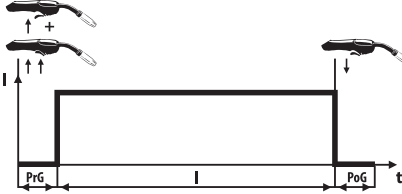
2 TETİK MODU: Torç tetiğine basıldığında kaynak başlar ve kaynak bitinceye kadar tetiğe basılı tutulur. Tetik bırakıldığında kaynak sona erecektir.

Kaynak başlangıcı

- Torç tetiğine basın ve basılı tutun,
- Ön gaz süresi kadar koruyucu gaz akışı başlar.
- Ön gaz süresi sonunda yavaş hızda tel besleme motoru çalışır.
- İşlem parçasına gelindiğinde kaynak akımı artar.

Kaynak sonlanması

- Basılı olan torç tetiğini serbest bırakın,
- Tel besleme motoru duracaktır.
- Ayarlanan geri yanma süresi sonunda ark söner.
- Son gaz süresi sonunda süreç biter.



PrG : Ön Gaz Süresi

I : Kaynak Akımı

PoG : Son Gaz Süresi

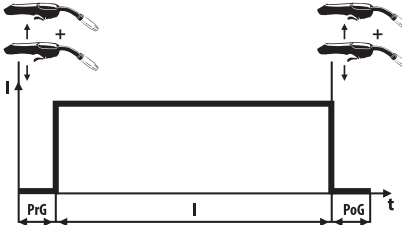
4 TETİK MODU: Torç tetiğine bir kez basılıp bırakıldığında kaynak başlar ve kaynak bitinceye kadar basılı tutmaya gerek yoktur. Tetik tekrar basılıp bırakıldığında kaynak sonlanacaktır.

Kaynak başlangıcı;

- Torç tetiğine basın ve basılı tutun,
- Ön gaz süresi kadar koruyucu gaz akışı başlar.
- Ön gaz süresi sonunda yavaş hızda tel besleme motoru çalışır.
- İşlem parçasına gelindiğinde kaynak akımı artar.
- Torç tetiğini serbest bırakın, kaynak devam edecektir.

Kaynak sonlanması;

- Torç tetiğine basın ve serbest bırakın
- Tel besleme motoru durur
- Ayarlanan geri yanma süresi sonunda ark söner.
- Son gaz süresi sonunda süreç biter.



PrG : Ön Gaz Süresi

I : Kaynak Akımı

PoG : Son Gaz Süresi

METOD : Modunda bahsedilmek istenen punta kaynağıdır. Belirlenen kaynak süresi kadar kaynak devam eder, süre sonunda sonlanır. Belirlenen boşluk süresi kadar ise kaynak yapılmaz. Tetik bırakılmadığı süre boyunca bu periyot devam edecektir. Kaynak süresi : 0.2- 9.9 ve boşluk süresi : 0.0- 9.9 saniye arasındadır.

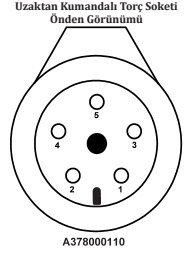
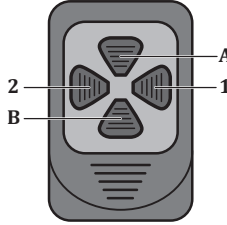


Her seferinde aynı kaynak dikışı ve nüfuziyeti elde edilmek istenildiğinde tercih edilmelidir. Metod modunda yapılan kaynakların boyları eşit olacaktır.

3.3 Uzaktan Kontrol

Uygun özelliklerde bir torç ve konnektör ile kaynak akımınızı (tel hızınızı) / kaynak voltajınızı makineminizin yanına gitmeden torç üzerinden de değiştirebilirsiniz. Uzaktan kumandalı torç soketi bağlantısını yapmanız gerekmektedir. Soket bağlantılarını aşağıda belirtilmiştir :

TORÇ KUMANDA - KAHVE	=====	A378000110 - 1
TORÇ KUMANDA - SİYAH	=====	A378000110 - 2
TORÇ KUMANDA - KIRMIZI	=====	A378000110 - 4
TORÇ KUMANDA - BEYAZ	=====	A378000110 - 5
TORÇ KUMANDA - YEŞİL	=====	A378000110 - 3

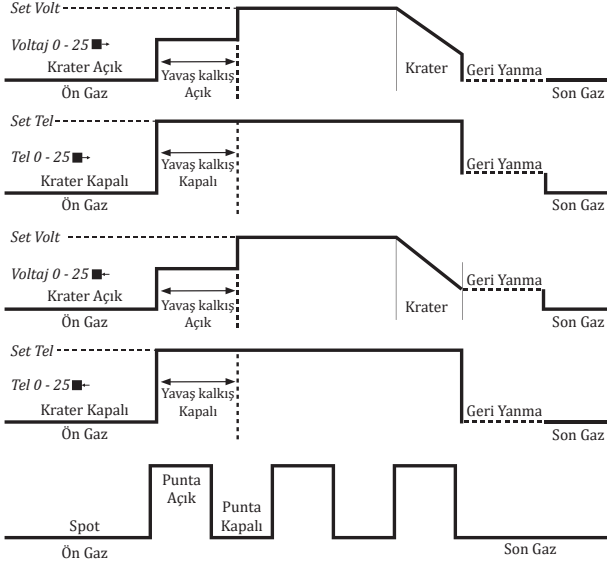


Mod	Tuş	Görevi
Klasik Mod	1	Tel hızınızı minimum tolerans değerine (-%10) kadar azaltabilirsiniz. Ayar Aralığı : 0.5 m/dk
	2	Tel hızınızı maksimum tolerans değerine (+10) kadar arttırabilirsiniz. Ayar Aralığı : 0.5 m/dk
	A	Kaynak voltajınızı maksimum tolerans değerine (+10) kadar arttırabilirsiniz. Ayar Aralığı : 0.5 V
	B	Kaynak voltajınızı minimum tolerans değerine (-10) kadar azaltabilirsiniz. Ayar Aralığı : 0.5 V
Akıllı Mod	1	Kaynak akımınızı minimum tolerans değerine (-%10) kadar azaltabilirsiniz. Ayar Aralığı : 5 A
	2	Kaynak akımınızı maksimum tolerans değerine (+%10) kadar arttırabilirsiniz. Ayar Aralığı : 5 A
	A	Kaynak voltajınızı maksimum tolerans değerine (+%10) kadar arttırabilirsiniz. Ayar Aralığı : 0.5 V
	B	Kaynak voltajınızı minimum tolerans değerine (-%10) kadar azaltabilirsiniz. Ayar Aralığı : 0.5 V
Sinerjik Mod	1	Kaynak akımınızı minimum tolerans değerine(-%10) kadar azaltabilirsiniz. Ayar Aralığı : 5 A
	2	Kaynak akımınızı maksimum tolerans değerine(+%10) kadar arttırabilirsiniz. Ayar Aralığı : 5 A
	A	Kaynak voltajınızı maksimum tolerans değerine (+%10) kadar arttırabilirsiniz. Ayar Aralığı : 0.5 V
	B	Kaynak voltajınızı minimum tolerans değerine (-%10) kadar azaltabilirsiniz. Ayar Aralığı : 0.5 V

3.4 Ark Boyu Ayarı (ArC)

Voltaj ayar düğmesine 3 saniye basılı tutulduğunda ark boyu fonksiyonu aktif olacaktır. Fabrika ayarı 0.0 dır. Mevcut butonu sağa sola çevirerek +7/-7 aralığında ark boyu ayarını değiştirebilirsiniz. +7 ye doğru yapılan değişimde tel kontak memeye yaklaşır, ark boyu uzar. -7 ye doğru yapılan değişimde tel kaynak metaline yaklaşır, ark boyu kısılır. İstenilen ayar yapıldıktan sonra mevcut butona bir kez basılarak ayardan çıkış sağlanır.

3.5 MIG Eğrisi



Parametre	Değer Aralığı	Fabrika Ayarı	2- Konumu MIG	4- Konumu MIG
Ön Gaz	0,0 - 9,9 sn	0,1 sn	✓	✓
Son Gaz	0,0 - 9,9 sn	0,1 sn	✓	✓
Geri Yanma	25 - 0 - 25	0 step	✓	✓
Kaynak Süresi	0,2 - 9,9 sn	0,2 sn	✓	✓
Boşluk Süresi	0,0 - 9,9 sn	0,0 sn	✓	✓
Tel Çapı	0,6 - 2,4 mm	1,0 mm	✓	✓
Kalınlık	0,6 - 20,0 mm	1,0 mm	✓	✓
Gaz Tipi	CO ₂ , Ar/5-10 CO ₂ , Ar/15-25 CO ₂ , Ar/2.5 CO ₂ , Ar/10-15 CO ₂ , Argon			
Tel Tipi	Steel, AlMg, FCW, AlSi, FCW-M, CuSi, CrNi, CuAl			
Krater	Aktif / Pasif	Pasif	✓	✓
Mod	Sinerjik / Akıllı / Klasik			
Tetik	Metod / 2 / 4	2	✓	✓
Yöntem	MIG / MAG - MMA LIFT TIG	MIG / MAG		

3.6 Şebekeye Bağlama



Seçilen mota bağı olarak tel hızı ve kaynak set akım ayarı pot yardımı ile yapılır. Pot sağa sola çevrilerek ayar gerçekleştirilir.

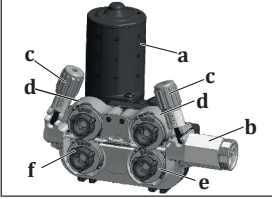


Yaptığınız kaynak tipine uygun olarak kutup bağlantılarını yapınız.

- Açma / kapama anahtarı ile makineyi çalıştırın.
- Fan sesini duyduktan ve şebeke lambasının yandığını gördükten sonra açma / kapama anahtarını tekrar kapalı konumuna getirerek makineyi kapatın.

3.7 Tel Sürme Makarasının Seçimi ve Değişimi

- Tel sürme bölümünün kapağını açtığımızda yan tarafta bulunan buton ile serbest gaz ve tel ayarı yapabilirsiniz. Tel sürme bölümünde 4 makaralı enkoder yapıları sürme sistemini göreceksiniz. 4 WD sistem yapısı sayesinde tel mekanik olarak 4 makaraya birden uygulanan güç ile sürülür. Motor ısınması, sürtünmelerin artması gibi olumsuzluklarda bile tel sürme hızı değişmez. Ark stabilitesi mükemmeldir. Makine enjilendiği anda içeride bulunan led aktif olacak, makara değişimi yaparken kolaylık sağlayacaktır.



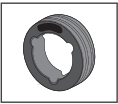
- 1- Motor
- 2- Euro Konnektör
- 3- Baskı Ayar Vidası
- 4- Üst Tel Sürme Makaraları
- 5- Alt Tel Sürme Makaraları
- 6- Tel Sürme Kilit Mekanizması

Şekil 4 : Tel Sürme Sistemi

- Kullanacağınız kaynak telinin malzemesine ve çapına uygun tel sürme makaraları kullanın. Çelik ve paslanmaz çelik için V oluklu, özlü tel için tırtıllı V oluklu, alüminyum için U oluklu tel sürme makaraları kullanın.
- Tel sürme makaralarını değiştirmeniz gerektiğinde baskı ayar vidasını kendinize doğru çekip üst makara kapaklarını kaldırdıktan sonra mevcut makaraları çıkartın.

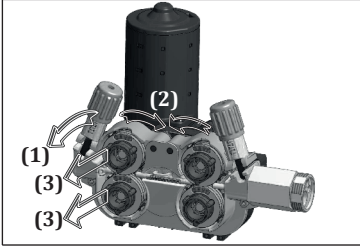


- Makaraların her iki yüzü de, kullanıldıkları tel çapına göre işaretlenmiştir.
- Makaraları kullanacağınız tel çapı değeri size bakan tarafta olacak şekilde flanşa yerleştirin.

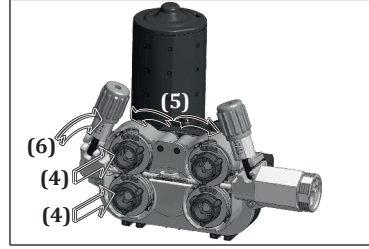


- Makaraları çıkarabilmeniz için kilidini açmanız gerekir. Kilitleme yönünün tam tersine çevirerek, tel sürme makarasının iç kısmındaki boşluklar tel sürme gövdesindeki çıkıntılarla üst üste getirilmelidir, böylelikle kilidi açmış olursunuz.

- Kullanacağınız makarayı tel sürme makarasının iç kısmındaki boşluklar tel sürme gövdesindeki çıkıntılarla üst üste gelecek şekilde yerleştirin. Sağa veya sola çevirip kilitleme sesinin geldiğinden ve tel sürme makaralarının yerine oturduğundan emin olun. Daha sonra baskı makaralarını indirin ve baskı makarası kolunu kaldırarak baskı makarasının üzerine kilitleyin.



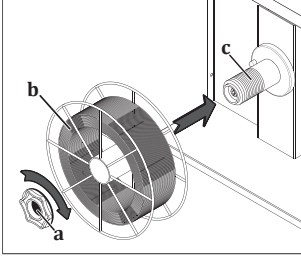
Şekil 5 : Tel Sürme Makaralarının Çıkartılması



Şekil 6 : Tel Sürme Makaralarının Yerleştirilmesi

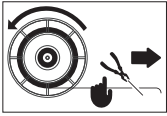
3.8 Tel Makarasını Yerleştirme ve Teli Sürme

- Tel taşıma sisteminin vidasını çevirerek çıkartın. Kaynak teli makarasını tel taşıma sistemi miline geçirin ve vidayı tekrardan sıkın.



Şekil 7 : Tel Makarasını Yerleştirme

- Tel sürme makarasının üzerindeki baskı kolunu çekip aşağı indirin, yani baskı makarasını boşlayın.

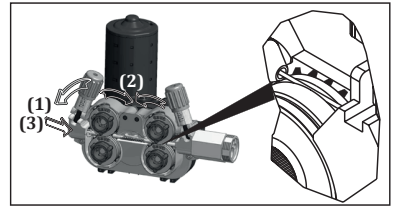


- Kaynak telini tel makarasının bağlandığı yerden çıkartıp elinizden kaçırmadan ucunu yan keskiyle kesin.



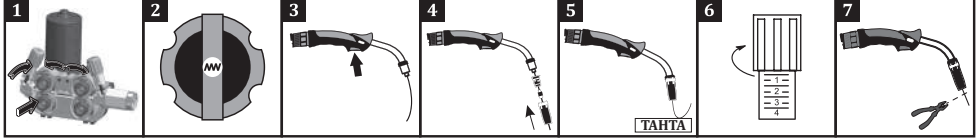
Telin ucunun kaçırılması durumunda tel bir yay gibi fırlayarak size ve çevrenizdekilere zarar verebilir.

- Teli bırakmadan tel giriş kılavuzundan geçirek makaralara, makaralar üzerinden de torcun içine sürün.



Şekil 8 : Teli Makaraya Sürme

- Baskı ayar vidalarını kendinize doğru çekip makaralar üzerindeki baskıyı boşaltın **1**.
- Açma / Kapama anahtarını "1" konumuna getirerek makineyi çalıştırın **2**.
- Nozul ve kontak memeyi çıkarıp tel torç ucundan çıkana kadar tetiğe basın, bu arada kaynak teli makarasının rahat döndüğünü gözlemleyin, tetiği birkaç kere basıp bırakarak sarımda herhangi bir gevşeme olup olmadığını kontrol edin **3**.
- Tel torç ucundan çıkınca nozulu ve kontak memeyi torca geri takın **4**.
- Teli iletken olmayan bir malzeme üzerine, örneğin tahta, üzerine sürerek **5** uygun tel baskı ayarını yapın **6** ve tel ucunu kesin **7**.



Baskı ayar vidasını gereğinden fazla sıkılması, gevşek bırakılması ya da yanlış tel sürme makarası kullanılması durumlarında aşağıda görülen etkiler gerçekleşir.

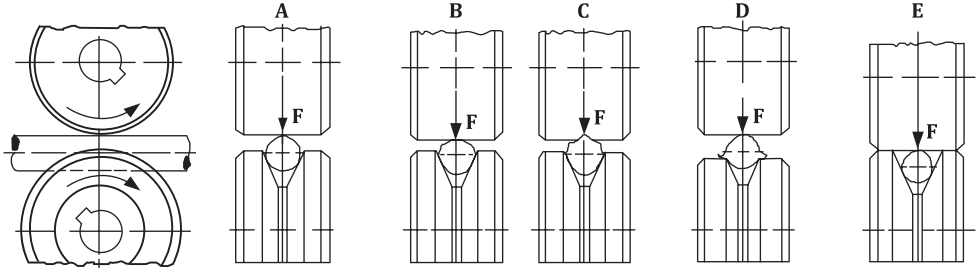
A: Uygun tel baskısı ve kanal ölçüsü.

B: Baskı kolu çok sıkıştırıldığı için telin şeklindeki bozulmalar oluşuyor.

C: Baskı kolu çok sıkıştırıldığı için makara yüzeyinde bozulmalar oluşuyor.

D: Makaranın kanal boyu kullanılan tel için küçük. Telin şeklinde bozulmalar oluşuyor.

E: Makaranın kanal boyu kullanılan tel için büyük. Tel kaynak bölgesine sevk edilemiyor.



Şekil 9 : Baskı Ayarı ve Makara Seçimi Hataları

3.9 Gaz Debisini Ayarlama



Gaz ayarını ve gaz testini tel sürme makarasının baskı kolunu kaldırarak yapın!

- Debi ayar vanası ile gaz debisini ayarlayın.
- Pratik gaz (CO₂, Ar, karışım) debisi oranı tel çapının 10 katıdır. Örneğin tel çapı 0,9 mm ise, gaz debisi 10 x 0,9 = 9 lt/dak. olarak ayarlanabilir.
- Daha hassas debi ayarı için yandaki tabloyu kullanabilirsiniz.
- Gaz debisini ayarladıktan sonra baskı makarası kolunu kaldırın ve tel sürme ünitesinin kapağını kapatın.

	Alaşsız Çelik ve Metal Özlü Tel	Özlü Tel	Paslanmaz Çelik	Alüminyum
Tel Çapı (mm)	0.8	0.9	1.0	1.2
	8 lt/dak.	7 lt/dak.	8 lt/dak.	8 lt/dak.
	9 lt/dak.	8 lt/dak.	9 lt/dak.	9 lt/dak.
	10 lt/dak.	9 lt/dak.	10 lt/dak.	10 lt/dak.
	12 lt/dak.	11 lt/dak.	12 lt/dak.	12 lt/dak.

3.10 Makine Özellikleri

CC/CV Yapı

- MIG, MMA ve TIG kaynağı imkanı verir.

Hafıza

- Yapılan işlerin kaydedilmesini sağlayan 3 adet iş hafızası vardır.

Kullanım Fonksiyonları Çeşitliliği

- Klasik, akıllı ve sinerjik MIG / MAG modları ile kullanıcı dostu bir çalışma sağlar.

Soft Start

- Tel hızını yavaş yavaş artırarak vuruntulu ve sıçrıntılı başlangıç oluşumunu engeller.

Smart Performance

- Akıllı performans kontrolü sayesinde makinenin kaynak parametrelerini sürekli takip ederek analiz eder.
- Zorunlu şartların oluşması durumunda, makine ömrünü uzatmak ve arızalara karşı korumak amaçlı kendini korumaya alır.
- Bu koruma makine paneli üzerinde termik led uyarısı ile gösterilir.
- 2 dakikalık koruma süresi sonunda makine tekrar devreye girer.

Smart Fan

- Makine iç ısısı sürekli olarak ölçülür. Ölçülen sıcaklığa göre soğutma fanı açılır ya da kapatılır. Sıcaklık belirli bir derecenin altında ise faz tamamen durdurulur. Bu fonksiyon sayesinde makine içine gelen toz miktarı azaltılır. Makine ömrü uzadığı gibi enerji tasarrufu da sağlanır. Kaynak esnasında fan çalışarak soğutma performansı sağlar.

Torç Üzerinden Akım/Voltaj Kontrolü

- Kontrol bağlantı opsiyonuyla, uygun özelliklerde bir torç ile kaynak akımınızı / voltajınızı makinenizin yanına gitmeden torç üzerinden de değiştirebilirsiniz.

Robot ile Uyumluluk

- Robot ile uyumlu yapısı ile kullanım kolaylığı sağlar.

Magnet ile Uyumluluk

- Magnet'e hazır yapı sayesinde kaynak ve ortam bilgileri gerçek zamanlı olarak saklanır. Bazı değerler makine önündeki LCD panelden okunabilirken, diğer bilgiler (Toplam Ekipman Etkinliği -OEE, Kaynak Parametreleri-WP, Kalite vb.) Magnet platformunda saklanır ve izlenir. (Opsiyonel)

Jeneratörlerle Çalışma

- Jeneratörlerle çalışmaya uygundur. Kaç kVA ile çalışacağı teknik özelliklere bakılarak belirlenmelidir.

Faz Koruma

- Eksik veya yanlış faza karşı korumalıdır.

Voltaj Koruma

- Şebeke voltajı aşırı yüksek veya düşük olursa makine otomatik olarak ekranda arıza kodu vererek kendini korumaya alır. Bu sayede makine aksamlarına herhangi bir zarar gelmez, makine ömrünün uzun olması sağlanır. Ortam koşullarının normale dönmesi sonrası makine fonksiyonları da devreye girer.

3.11 Tüketim Bilgileri

Aşağıdaki tabloda ideal koşullar için kaynak sırasında ortalama tüketim değerleri gösterilmektedir. Kullanım ve ortam koşullarına göre farklılık gösterebilir.

MIG/MAG Kaynağı Sırasında Ortalama Tel Tüketimi

5 m/dak. Tel Hızında Ortalama Tel Tüketimi

	1 mm Tel Çapı	1,2 mm Tel Çapı	1,6 mm Tel Çapı
Çelik Tel	1,5 (kg/saat)	2,4 (kg/saat)	4,5 (kg/saat)
Alüminyum Tel	0,55 (kg/saat)	0,8 (kg/saat)	1,4 (kg/saat)
CrNi Tel	1,7 (kg/saat)	2,6 (kg/saat)	4,5 (kg/saat)

10 m/dak. Tel Hızında Ortalama Tel Tüketimi

	1 mm Tel Çapı	1,2 mm Tel Çapı	1,6 mm Tel Çapı
Çelik Tel	3,5 (kg/saat)	4,95 (kg/saat)	9,3 (kg/saat)
Alüminyum Tel	1,25 (kg/saat)	1,73 (kg/saat)	3,15 (kg/saat)
CrNi Tel	3,65 (kg/saat)	5,2 (kg/saat)	9,4 (kg/saat)

MIG/MAG Kaynağı Sırasında Ortalama Koruyucu Gaz Tüketimi

Tel Çapı	0.8 mm	1.0 mm	1.2 mm	1.6 mm	2 mm
Ortalama Tüketim	8 l/dak.	10 l/dak.	12 l/dak.	16 l/dak.	20 l/dak.



BAKIM VE ARIZA BİLGİLERİ

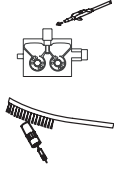
- Makineye yapılacak bakım ve onarımların mutlaka yetkin kişiler tarafından yapılması gerekmektedir. Yetkisiz kişiler tarafından yapılacak müdahaleler sonucu oluşacak kazalardan firmamız sorumlu değildir.
- Onarım esnasında kullanılacak parçaları yetkili servislerimizden temin edebilirsiniz. Orijinal yedek parça kullanımı makinenizin ömrünü uzatacağı gibi performans kayıplarını engeller.
- Her zaman üreticiye veya üretici tarafından belirtilen yetkili bir servise başvurun.
- Garanti süresi içerisinde üretici tarafından yetkilendirilmemiş herhangi bir girişiminde tüm garanti hükümleri geçersiz olacaktır.
- Geçerli güvenlik kurallarına bakım onarım işlemleri sırasında mutlaka uyunuz.
- Tamir için makinenin herhangi bir işlem yapılmadan önce, makinenin elektrik fişini şebekeden ayırınız ve kondansatörlerin boşalması için 10 saniye bekleyiniz.

4.1 Bakım



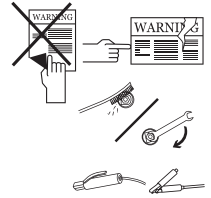
Günlük Bakım

- Tel Sürme Mekanizması temiz tutulmalı ve makara yüzeyleri kesinlikle yağlanmamalı. Her kaynak teli değişiminde mutlaka mekanizma üzerinde biriken kalıntıları kuru hava yardımıyla temizleyin.
- Torç üzerindeki sarf malzemeler düzenli olarak temizlenmeli. Eğer gerekiyorsa değiştirilmeli. Bu malzemelerin uzun süreli kullanılması için orijinal ürünler olmasına dikkat edin.



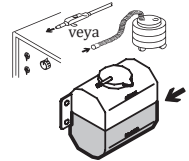
3 Ayda Bir

- Cihaz üzerindeki uyarı etiketlerini sökmeyiniz. Yıpranmış / yırtılmış etiketleri yenisi ile değiştiriniz. Etiketleri yetkili servisten temin edebilirsiniz.
- Penselerin ve Kablolarınızın kontrolünü yapınız. Parçaların bağlantılarına ve sağlamlığına dikkat ediniz.
- Hasar görmüş / arızalı parçaları yenisi ile değiştiriniz. Kablo'lara ek/ onarım kesinlikle yapmayınız.
- Havalandırma için yeterli alan olduğuna emin olunuz. Opsiyonel TIG torcu üzerindeki sarf malzemeler düzenli olarak temizlenmelidir. Eğer gerekiyorsa değiştirilmelidir. Bu malzemelerin uzun süreli kullanılması için orijinal ürünler olmasına dikkat edilmelidir.



6 Ayda Bir

- Civata, somun gibi birleştirici parçaları temizleyiniz ve sıkıştırınız. Elektrod pensesi ve toprak pensesi kablolarını kontrol ediniz. Makinenin yan kapaklarını açarak düşük basınçlı kuru hava ile temizleyiniz. Elektronik parçalara yakın mesafeden basınçlı hava uygulamayınız.
- Su soğutma ünitesinin deposundaki su periyodik aralıklarla sert olmayan, temiz bir su ile yenileyin ve donmaya karşı antifriz ile koruyun.



NOT: Yukarıda belirtilen süreler, cihazınızda hiçbir soruna karşılaşılmaması durumunda uygulanması gereken maksimum periyotlardır. Çalışma ortamınızın yoğunluğuna ve kirliliğine göre yukarıda belirtilen işlemleri daha sık aralıklarla tekrarlayabilirsiniz.



Asla kaynak makinesinin kapakları açıkken kaynak yapmayın.

4.2 Hata Giderme

Aşağıdaki tablolarda karşılaşılan olası hatalar ve çözüm önerileri bulunmaktadır.

Arıza	Neden	Çözüm
Makine çalışmıyor	• Elektronik kart arızalı	• Yetkili servis ile iletişime geçiniz
	• Makinenin elektrik bağlantısı sorunlu	• Makinenin elektrige bağlı olduğundan emin olunuz
	• Şebeke bağlantıları hatalı	• Şebeke bağlantılarının doğru olduğunu kontrol ediniz
	• Şebeke besleme sigortası hatalı veya şebeke kablosu hasarlı	• Şebeke besleme sigortalarını, şebeke kablosunu ve fişini kontrol ediniz
	• Açma/ kapama anahtarı doğru çalışmıyor	• Açma/ kapama anahtarını kontrol ediniz
Tel sürme motoru çalışmıyor	• Elektronik kart arızalı	• Yetkili servis ile iletişime geçiniz
Tel sürme motoru çalışıyor, fakat tel ilerlemiyor	• Tel sürme makaraları tel çapına uygun seçilmemiş	• Uygun tel sürme makarası seçiniz
	• Tel sürme makaralarındaki baskı çok az	• Doğru baskı makarası ayarını yapınız
İyi kaynak yapılmıyor	• Kontak meme ebadı hatalı seçilmiş veya tahribat görmüş	• Kontak memeyi değiştiriniz
	• Baskı makaralarının baskısı az	• Doğru baskı makarası ayarını yapınız
	• Korumucu gaz çok fazla veya çok az geliyor	• Kullanılan gazı ve ayarını kontrol ediniz. Gaz ayarı yapılmıyor ise yetkili servise danışınız
	• Kaynak parametreleri uygun seçilmemiş	• Voltaj ve tel hızı ayarlarınızı değiştirin
Kaynak akımı kararlı değil ve/ veya ayarlanmıyor	• Makinenin topraklama pensesi iş parçasına bağlı değil	• Makinenin topraklama pensesinin parçasına bağlı olduğundan emin olunuz
	• Kablolar ve bağlantı noktaları hasarlı	• Kabloların sağlamlığından ve bağlantı noktalarının aşınmaması olduğundan emin olunuz
	• Yanlış parametre ve proses seçilmiş	• Parametre ve proses seçiminin doğru olduğundan emin olunuz
	• Elektrod kutbu ve amper değerleri hatalı (MMA kaynağında)	• Elektrodun bağlı olması gereken kutbu ve makinede ayarlanması gereken akım değerini kontrol ediniz
	• Tungsten uç aşınmış (TIG kaynağında)	• Tungsten ucun temiz olduğundan emin olunuz
	• Kaynak torcu hasarlı (MIG, TIG kaynağında)	• Kaynak torcunun sağlamlığından emin olunuz
Fan çalışmıyor	• Elektronik kart arızası	• Yetkili servis ile iletişime geçiniz
Kaynak akımı kararlı değil ve/ veya ayarlanmıyor	• Elektronik kart arızası	• Yetkili servis ile iletişime geçiniz
Makine gürültülü çalışıyor	• Kontaktör arızalı	• Yetkili servis ile iletişime geçiniz
Ekranında 0000 / NOP değeri görülüyor	• Kaynak parametreleri uygun seçilmemiş	• Tel tipi, gaz tipi vb. gibi tüm parametreler kaynak yönteminize uygun olarak seçilmelidir

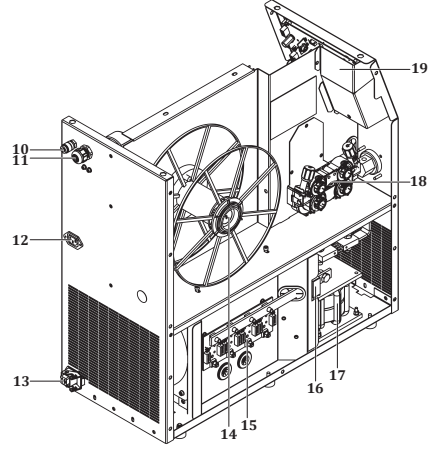
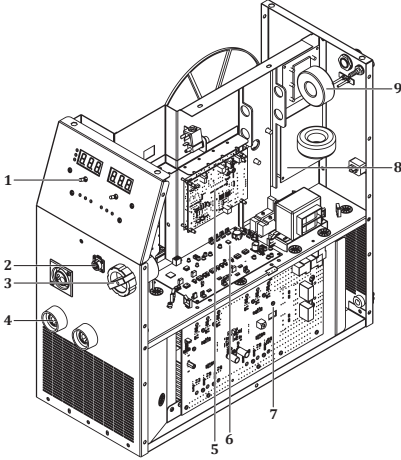
4.3 Hata Kodları

Hata Kodu	Hata	Neden	Çözüm
E01	Haberleşme Hatası	<ul style="list-style-type: none"> Makine içerisinde farklı noktalarda sorun olabilir 	<ul style="list-style-type: none"> Yetkili servis ile iletişime geçiniz
E02	Termal Koruma	<ul style="list-style-type: none"> Makinenizin devrede kalma oranı aşımış olabilir 	<ul style="list-style-type: none"> Bir süre bekleyerek makinenin soğumasını sağlayınız. Arıza ortadan kalkıyor ise daha düşük amper değerlerinde kullanmaya çalışınız
		<ul style="list-style-type: none"> Fan çalışmıyor olabilir 	<ul style="list-style-type: none"> Fanın çalışıp çalışmadığını göz ile kontrol ediniz. Çalışmaması durumunda yetkili servis ile irtibata geçiniz
		<ul style="list-style-type: none"> Hava giriş-çıkış kanallarının önü kapanmış olabilir 	<ul style="list-style-type: none"> Hava kanallarının önünü açınız
		<ul style="list-style-type: none"> Makine çalışma ortamı aşırı sıcak ya da havasız olabilir 	<ul style="list-style-type: none"> Makinenin daha rahat çalışabileceği bir alana yerleştirilmesini sağlayınız
E03	Aşırı Akım Hatası	<ul style="list-style-type: none"> Makine aşırı akım çekmiş olabilir 	<ul style="list-style-type: none"> Yetkili servis ile iletişime geçiniz
		<ul style="list-style-type: none"> Makine içerisinde farklı noktalarda sorun olabilir 	<ul style="list-style-type: none"> Yetkili servis ile iletişime geçiniz
E04	Şebeke Voltajı Düşük	<ul style="list-style-type: none"> Şebeke voltajı düşmüş olabilir 	<ul style="list-style-type: none"> Şebeke bağlantı kablolarını ve voltajını kontrol ediniz. Doğru voltaj girişi sağlandığından emin olunuz. Şebeke voltajı normal ise yetkili servis ile iletişime geçiniz
E05	Sıcaklık Sensörü Okuma Hatası	<ul style="list-style-type: none"> Sıcaklık sensörü bozulmuş olabilir veya elektriksel bağlantısında sorun olabilir 	<ul style="list-style-type: none"> Yetkili servis ile iletişime geçiniz
E06	Şebeke Voltajı Yüksek	<ul style="list-style-type: none"> Şebeke voltajı yükselmiş olabilir 	<ul style="list-style-type: none"> Şebeke bağlantı kablolarını ve voltajını kontrol ediniz. Doğru voltaj girişi sağlandığından emin olunuz. Şebeke voltajı normal ise yetkili servis ile iletişime geçiniz

EKLER

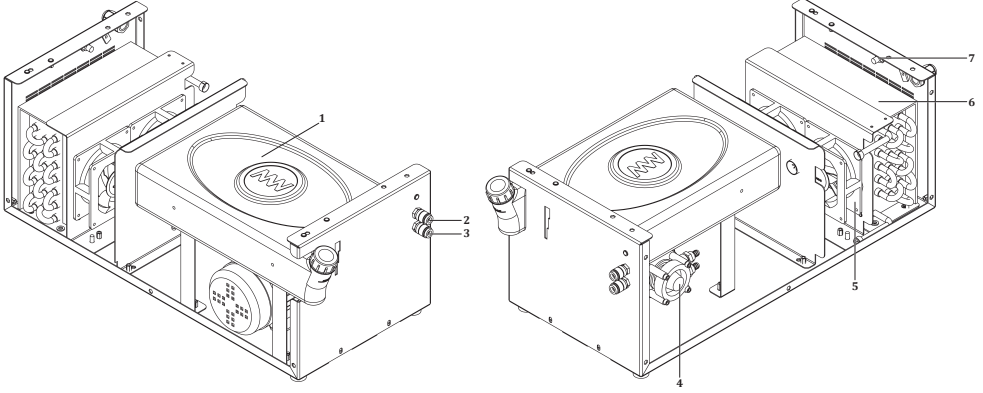
5.1 Yedek Parça Listeleri

Güç Kaynağı



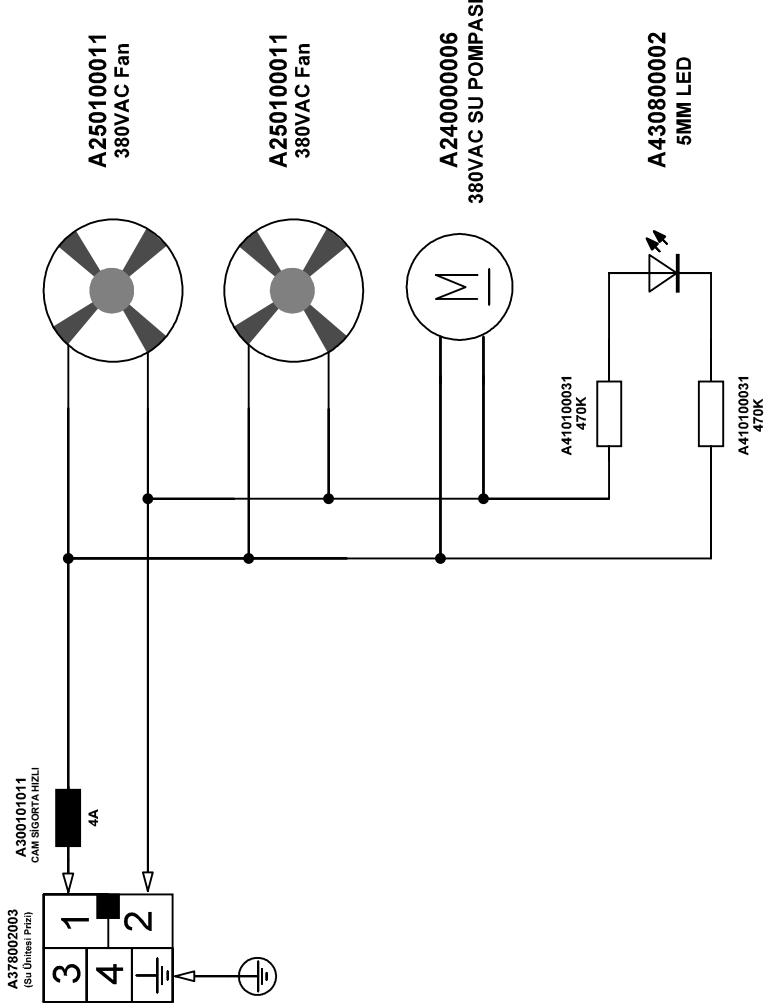
NO	TANIM	MALZEME KODU
1	Potans Düğmesi	A229500001
2	Konnektör	A378000103
3	Şalter Düğmesi	A308900004
4	Kaynak Prizi	A377900106
5	Elektronik Kart E121A-2	K405000230
6	Elektronik Kart E206A-CNT3P	K405000324
7	Elektronik Kart E206A-1	K405000253
8	Elektronik Kart E202A-FLT4	K405000254
9	Elektronik Kart Rs Filtre	K405000262
10	Gaz Ventil Rakoru	A256006069
11	Plastik Rakor	A376400016
12	Güç Konnektörü	A378000050
13	Konnektör	A378002002
14	Tel. Tas. Mak. Sistemi 3'lü Bağlantı	A229900003
15	Elektronik Kart E202A-4A	K405000255
16	Elektronik Kart E121A-2	K405000230
17	Şok Bobini	A421050002
18	Tel Sürme Sistemi	K309002213
19	Elektronik Kart E309A-3A	K405000312
	Elektronik Kart E309A-3B	K405000313

Soğutma Ünitesi



NO	TANIM	MALZEME KODU
1	Su Deposu	A249000005
2	Quick Kaplin - Kırmızı	A245700003
3	Quick Kaplin - Mavi	A245700002
4	Su Pompası	A240000006
5	Fan	A250001126
6	Radyatör	A260000010
7	Cam Sigorta Yuvası	A300190001
8	Cam Sigorta Hızlı	A300101011

5.3 Su Ünitesi Devre Şeması



MALIN

Modeli

Seri Numarası

İMALATÇI / İTHALATÇI FİRMANIN

Ünvanı

MAGMA MEKATRONİK MAKİNE SANAYİ VE TİCARET A.Ş.

Adresi

Organize Sanayi Bölgesi 5. Kısım MANİSA

Telefonu / E - Postası

+90 236 226 27 00 / info@magmaweld.com

SATICI FİRMANIN

Ünvanı

Adresi

Telefonu / E-Postası

Fatura Tarihi ve No.

ALICININ

Ünvanı

Adresi

Telefonu / E - Postası

Teslim Alanın Adı Soyadı

KURULUMU YAPAN SERVİSİN

Ünvanı

Teknisyenin Adı Soyadı

Devreye Alma Tarihi
(Garanti Başlama Tarihi)

Garanti Şartları için www.magmaweld.com.tr/garanti-sartlari/wt web sitemizi ziyaret ediniz.

EU-DECLARATION OF CONFORMITY / AB UYGUNLUK BEYANI

We hereby declare that the declaration of conformity is issued under our sole responsibility and belongs to the following product: / Bu belgede aşağıdaki ürünün kendi sorumluluğunda olduğunu onaylar:

Product brand / Ürün markası : MAGMAWELD
Product designation / Ürün adı : ID 300 MK PULSE SMART

The object of the declaration is in conformity with the relevant directives and standards: / Bu beyan ile ilişkili olarak, aşağıdaki yönetmelikleri veya normları yerine getirir:

Directives / Yönetmelikler
RoHS : 2011/65/EU
ErP Directive / ErP yönetmeliği : (EU) 2019/1784
LVD Directive / LVD yönetmeliği : 2014/35/EU
EMC Directive / yönetmeliği : 2014/30/EU

Standards / Standartlar
LVD standard /LVD standardı : EN IEC 60974-1:2022
EMC standard / EMC standardı : EN IEC 60974-10:2021

Signed on behalf of / Adına imzalandı : Magma Mekatronik Makine Sanayi ve Ticaret. A.Ş. Fabrika
MOSB, 5. Kısım 45030 Manisa, Türkiye

Date / Zaman : Mar-2024 / Mart-2024

Name&Signature / İsim&İmza : Barış Özgür Tuğgan
R&D Manager



EU-DECLARATION OF CONFORMITY / AB UYGUNLUK BEYANI

We hereby declare that the declaration of conformity is issued under our sole responsibility and belongs to the following product: / Bu belgede aşağıdaki ürünün kendi sorumluluğunda olduğunu onaylar:

Product brand / Ürün markası : MAGMAWELD
Product designation / Ürün adı : ID 300 MKW PULSE SMART

The object of the declaration is in conformity with the relevant directives and standards: / Bu beyan ile ilişkili olarak, aşağıdaki yönetmelikleri veya normları yerine getirir:

Directives / Yönetmelikler
RoHS : 2011/65/EU
ErP Directive / ErP yönetmeliği : (EU) 2019/1784
LVD Directive / LVD yönetmeliği : 2014/35/EU
EMC Directive / yönetmeliği : 2014/30/EU

Standards / Standartlar
LVD standard /LVD standardı : EN IEC 60974-1:2022
EMC standard / EMC standardı : EN IEC 60974-10:2021

Signed on behalf of / Adına imzalandı : Magma Mekatronik Makine Sanayi ve Ticaret. A.Ş. Fabrika
MOSB, 5. Kısım 45030 Manisa, Türkiye

Date / Zaman : Mar-2024 / Mart-2024

Name&Signature / İsim&İmza : Barış Özgür Tuğgan
R&D Manager



EU-DECLARATION OF CONFORMITY / AB UYGUNLUK BEYANI

We hereby declare that the declaration of conformity is issued under our sole responsibility and belongs to the following product: / Bu belgede aşağıdaki ürünün kendi sorumluluğunda olduğunu onaylar:

Product brand / Ürün markası : MAGMAWELD
Product designation / Ürün adı : ID 400 MK PULSE SMART

The object of the declaration is in conformity with the relevant directives and standards: / Bu beyan ile ilişkili olarak, aşağıdaki yönetmelikleri veya normları yerine getirir:

Directives / Yönetmelikler
RoHS : 2011/65/EU
ErP Directive / ErP yönetmeliği : (EU) 2019/1784
LVD Directive / LVD yönetmeliği : 2014/35/EU
EMC Directive / yönetmeliği : 2014/30/EU

Standards / Standartlar
LVD standard /LVD standardı : EN IEC 60974-1:2022
EMC standard / EMC standardı : EN IEC 60974-10:2021

Signed on behalf of / Adına imzalandı : Magma Mekatronik Makine Sanayi ve Ticaret. A.Ş. Fabrika
MOSB, 5. Kısım 45030 Manisa, Türkiye

Date / Zaman : Mar-2024 / Mart-2024

Name&Signature / İsim&İmza : Barış Özgür Tuğgan
R&D Manager



EU-DECLARATION OF CONFORMITY / AB UYGUNLUK BEYANI

We hereby declare that the declaration of conformity is issued under our sole responsibility and belongs to the following product: / Bu belgede aşağıdaki ürünün kendi sorumluluğunda olduğunu onaylar:

Product brand / Ürün markası : MAGMAWELD
Product designation / Ürün adı : ID 400 MKW PULSE SMART

The object of the declaration is in conformity with the relevant directives and standards: / Bu beyan ile ilişkili olarak, aşağıdaki yönetmelikleri veya normları yerine getirir:

Directives / Yönetmelikler
RoHS : 2011/65/EU
ErP Directive / ErP yönetmeliği : (EU) 2019/1784
LVD Directive / LVD yönetmeliği : 2014/35/EU
EMC Directive / yönetmeliği : 2014/30/EU

Standards / Standartlar
LVD standard /LVD standardı : EN IEC 60974-1:2022
EMC standard / EMC standardı : EN IEC 60974-10:2021

Signed on behalf of / Adına imzalandı : Magma Mekatronik Makine Sanayi ve Ticaret. A.Ş. Fabrika
MOSB, 5. Kısım 45030 Manisa, Türkiye

Date / Zaman : Mar-2024 / Mart-2024

Name&Signature / İsim&İmza : Barış Özgür Tuğgan
R&D Manager





ЕВРАЗИЙСКИЙ ЭКОНОМИЧЕСКИЙ СОЮЗ ДЕКЛАРАЦИЯ О СООТВЕТСТВИИ

Заявитель Общество с ограниченной ответственностью "МАГМАВЭЛД СПБ"

Место нахождения и адрес места осуществления деятельности: 191124, Россия, город Санкт-Петербург, улица Ставропольская, Дом 10, Литера А, Помещение 217

Основной государственный регистрационный номер 1187847141503.

Телефон: +78123317470 Адрес электронной почты: magmaweld@inbox.ru

в лице Генерального директора Гавшинского Андрея Львовича

заявляет, что Оборудование для сварки и газотермического напыления: аппараты для дуговой сварки модели: MINISTICK, MINISTICK DELUXE, MEGASTICK, MEGASTICK DELUXE, ID 800E, MONOSTICK 165i, MONOSTICK 200i, PROSTICK 200i, ID 250 E, ID 300 E, ID 350 E, ID 400 E, RD 500 E, RD 650 E, GL 451, TD 355, GL 600, ID 250E BASIC, MONOTIG 160i BASIC, MONOTIG 160i, MONOTIG 200i, MONOTIG 160ip, MONOTIG 220ip, MONOTIG 220ip AC/DC, ID 250 T DC, ID 300 T DC, ID 250 T DC PULSE, ID 300 T DC PULSE, ID 250 TW DC, ID 300 TW DC, ID 250 TW DC PULSE, ID 300 TW DC PULSE, ID 300 T AC/DC PULSE, ID 300 TW AC/DC PULSE, ID 500TW DC PULSE, ID 500TW AC/DC PULSE, MONOMIG 200ik, ID 300 M, MEGAMIG, ID 65 PCA, ID 65 PCB, ID 300 M SMART, ID 300 M PULSE SMART, ID 300 M EXPERT, ID 300 M PULSE EXPERT, ID 300 MW SMART, ID 300 MW PULSE SMART, ID 300 MW EXPERT, ID 300 MW PULSE EXPERT, ID 400 M SMART, ID 400 M PULSE SMART, ID 400 M EXPERT, ID 400 M PULSE EXPERT, ID 400 MW SMART, ID 400 MW PULSE SMART, ID 400 MW EXPERT, ID 400 MW PULSE EXPERT, ID 500 M SMART, ID 500 M PULSE SMART, ID 500 M EXPERT, ID 500 M PULSE EXPERT, ID 500 MW SMART, ID 500 MW PULSE SMART, ID 500 MW EXPERT, ID 500 MW PULSE EXPERT, ID 300 MK SMART, ID 300 MK PULSE SMART, ID 300 MK EXPERT, ID 300 MK PULSE EXPERT, ID 300 MKW SMART, ID 300 MKW PULSE SMART, ID 300 MKW EXPERT, ID 300 MKW PULSE EXPERT, ID 400 MK SMART, ID 400 MK PULSE SMART, ID 400 MK EXPERT, ID 400 MK PULSE EXPERT, ID 400 MKW SMART, ID 400 MKW PULSE SMART, ID 400 MKW EXPERT, ID 400 MKW PULSE EXPERT, RS 200 MK, RS 250 M, RS 250 MK, RS 300 M, RS 300 MK, RS 350 M, RS 350 M PRO, RS 350MK PRO, RS 350MW PRO, RS 350 MW, RS 350 MK, RS 400 M, RS 400 MW, RS 400 MK, RS 450M PRO, RS 450 MW PRO, RS 500 M, RS 500 MW, RS 550 M PRO, RS 550 MW PRO, RD 650 MW.

Изготовитель "Magma Mekatronik Makine Sanayi ve Ticaret A.S."

Место нахождения и адрес места осуществления деятельности по изготовлению продукции: Турция, Organize Sanayi Bölgesi, 5. Kısım, 45030 Manisa

Филиал: "MAGMAWELD ULUSLARARASI TICARET A.S." Турция, Dereboyu Cad. Bilim Sok. Sun Plaza 5/7 Maslak, 34398 Istanbul Продукция изготовлена в соответствии с Директивой 2014/35/EU

"Низковольтное оборудование", Директивой 2014/30/EU "Электромагнитная совместимость", Директивой 2006/42/ЕС "Безопасность машин и оборудования".

Код (коды) ТН ВЭД ЕАЭС: 8515391800

Серийный выпуск.

соответствует требованиям

Технического регламента Таможенного союза ТР ТС 004/2011 "О безопасности низковольтного оборудования"

Технического регламента Таможенного союза ТР ТС 010/2011 "О безопасности машин и оборудования"

Технического регламента Таможенного союза ТР ТС 020/2011 "Электромагнитная совместимость технических средств"

Декларация о соответствии принята на основании

Протокола испытаний № 00501/ТС/072021 от 07.07.2021 года, выданного Испытательной лабораторией ООО «ТЕХНОСИН» (регистрационный номер аттестата аккредитации RU.SSK.4.04ЕЛК0)

Схема декларирования соответствия: 1д

Дополнительная информация

Условия хранения: продукция хранится в сухих, проветриваемых складских помещениях при температуре от 0 °С до +30 °С, при относительной влажности воздуха не более 80 %. Срок хранения: изготовителем не установлен. Срок службы: 5 лет.

Декларация о соответствии действительна с даты регистрации по 11.07.2024 включительно


(подпись)



Гавшинский Андрей Львович

(Ф.И.О. заявителя)

Регистрационный номер декларации о соответствии: ЕАЭС N RU Д-ТР.РА01В.00558/21

Дата регистрации декларации о соответствии: 14.07.2021







YETKİLİ SERVİSLER

MERKEZ SERVİS

Organize Sanayi Bölgesi, 5. Kısım 45030 MANİSA

Telefon : 444 93 53

E-Posta : info@magmaweld.com

YETKİLİ SERVİSLER



Güncel servis listemiz için www.magmaweld.com.tr/servis-listesi web sitemizi ziyaret ediniz.

Magma Mekatronik Makine Sanayi ve Ticaret A.Ş.
Organize Sanayi Bölgesi, 5. Kısım 45030 Manisa, TÜRKİYE

01.08.2024
UM_IDMKWPS300400_032022_082024_003_368



(+90) 444 93 53
magmaweld.com
info@magmaweld.com