




USER MANUAL

RS 350 M - MW
RS 400 M - MW
RS 500 M - MW



(+90) 444 93 53
magmaweld.com
info@magmaweld.com

 **(+90) 538 927 12 62**

All rights reserved. It is prohibited to reproduce this documentation, or any part thereof, without the prior written authorisation of Magma Mekatronik Makine Sanayi ve Ticaret A.Ş.
Magma Mekatronik may modify the information and the images without any prior notice.
Tüm hakları saklıdır. Magma Mekatronik Makine Sanayi ve Ticaret A.Ş.'nin yazılı izni olmaksızın bu dokümanın tamamının ya da bir bölümünün kopyalanması yasaktır.
Magma Mekatronik önceden haber vermeksizin bilgilerde ve resimlerde değişiklik yapılabilir.

MIG/MAG WELDING MACHINE

EN

POSTE À SOUDER MIG / MAG

FR

СВАРОЧНЫЙ АППАРАТ ДЛЯ MIG / MAG-СВАРКИ

RU

MIG / MAG KAYNAK MAKİNESİ

TR


CONTENTS

SAFETY PRECAUTIONS	5
1 TECHNICAL INFORMATION	
1.1 General Information	11
1.2 Machine Components	11
1.3 Product Label	13
1.4 Technical Data	14
1.5 Accessories	15
2 INSTALLATION	
2.1 Delivery Control	17
2.2 Installation and Operation Recommendations	17
2.3 Mains Plug Connection	18
2.4 Welding Connections	18
2.4.1 Connections of the Wire Feeder	18
2.4.2 Grounding Pliers Connections	18
2.4.3 Water Cooling Unit (for MW Models)	19
2.4.4 Connections for Long Harness	19
2.4.5 Gas Connections	20
3 OPERATION	
3.1 Connection to Mains	21
3.2 Preparation and Connection of the Torch	21
3.3 Selection and Replacement of Wire Feed Rollers	22
3.4 Placing the Wire Spool and Wire Feeding Process	23
3.5 Adjustment of Gas Flow	24
3.6 Using Trigger Modes	24
3.7 Starting and Ending the Welding Process	25
3.8 Welding Parameters	26
4 MAINTENANCE AND SERVICE	
4.1 Maintenance	27
4.2 Non-Periodic Maintenance	27
4.3 Troubleshooting	28
4.4 Fuses	29
4.5 Error Codes	29
5 ANNEX	
5.1 Fine Settings in the Wire Feed Unit	30
5.2 Spare Parts Lists	31
5.3 Connection Diagrams	35

SAFETY PRECAUTIONS

Be Sure To Follow All Safety Rules In This Manual!

Explanation Of Safety Information



- Safety symbols found in the manual are used to identify potential hazards.
- When any one of the safety symbols are seen in this manual, it must be understood that there is a risk of injury and the following instructions should be read carefully to avoid potential hazards.
- The possessor of the machine is responsible for preventing unauthorized persons from accessing the equipment.
- Persons using the machine must be experienced or fully trained in welding / cutting they have to read the user manual before operation and follow the safety instructions.

Explanation Of Safety Symbols



ATTENTION

Indicates a potentially hazardous situation that could cause injury or damage. In case if no precaution is taken, it may cause injuries or material losses / damages.



IMPORTANT

Specifies notifications and alerts on how to operate the machine.



DANGER

Indicates a serious danger. In case if not avoided, severe or fatal injuries may occur.

Comprehending Safety Precautions



- Read the user manual, the label on the machine and the safety instructions carefully.
- Make sure that the warning labels on the machine are in good condition. Replace missing and damaged labels.
- Learn how to operate the machine, how to make the checks in a correct manner.
- Use your machine in suitable working environments.
- Improper changes made in your machine will negatively affect the safe operation and its longevity.
- The manufacturer is not responsible for the consequences resulting from the operation of the device beyond the specified conditions.

Electric Shocks May Kill



Make certain that the installation procedures comply with national electrical standards and other relevant regulations, and ensure that the machine is installed by authorized persons.

- Wear dry and sturdy insulated gloves and working apron. Never use wet or damaged gloves and working aprons.
- Wear flame-resistant protective clothing against the risk of burning. The clothing used by the operator must be protective against sparks, splashing and arc radiation.
- Do not work alone. In case of a danger make sure you have someone for help in your working environment.
- Do not touch the electrode with the bare hand. Do not allow the electrode holder or electrode to come in contact with any other person or any grounded object.
- Never touch parts that carry electricity.
- Never touch the electrode if you are in contact with the electrode attached to the work surface, floor or another machine.
- By isolating yourself from the work surface and the floor, you can protect yourself from possible electric shocks. Use a non-flammable, electrically insulating, dry and undamaged insulation material that is large enough to cut off the operator's contact with the work surface.
- Do not connect more than one electrode to the electrode holder.
- Clamp work cable with good metal-to-metal contact to workpiece or worktable as near the weld as practical.
- Check the torch before operating the machine. Make sure the torch and its cables are in good condition. Always replace a damaged, worn torch.
- Do not touch electrode holders connected to two machines at the same time since double open-circuit voltage will be present.
- Keep the machine turned off and disconnect cables when not in use.
- Before repairing the machine, remove all power connections and / or connector plugs or turn off the machine.
- Be careful when using a long mains cable.

- Make sure all connections are tight, clean, and dry.
 - Keep cables dry, free of oil and grease, and protected from hot metal and sparks.
 - Bare wiring can kill. Check all cables frequently for possible damage. If a damaged or an uninsulated cable is detected, repair or replace it immediately.
 - Insulate work clamp when not connected to workpiece to prevent contact with any metal object.
 - Make sure that the grounding of the power line is properly connected.
 - Do not use AC weld output in damp, wet, or confined spaces, or if there is a danger of falling.
 - Use AC output ONLY if required for the welding process.
 - If AC output is required, use remote output control if present on unit.
- Additional safety precautions are required when any of the following electrically hazardous conditions are present :**
- in damp locations or while wearing wet clothing,
 - on metal structures such as floors, gratings, or scaffolds,
 - when in cramped positions such as sitting, kneeling, or lying,
 - when there is a high risk of unavoidable or accidental contact with the workpiece or ground.
- For these conditions, use the following equipment in order presented:
- Semiautomatic DC constant voltage (CV) MIG welding machine,
 - DC manual MMA welding machine,
 - DC or AC welding machine with reduced open-circuit voltage (VRD), if available.

Procedures for Electric Shock



- Turn off the electric power.
- Use non-conducting material, such as dry wood, to free the victim from contact with live parts or wires.
- Call for emergency services.

If you have first aid training;

- If the victim is not breathing, Administer cardiopulmonary resuscitation (CPR) immediately after breaking contact with the electrical source. Continue CPR (cardiac massage) until breathing starts or until help arrives.
- Where an automatic electronic defibrillator (AED) is available, use according to instructions.
- Treat an electrical burn as a thermal burn by applying sterile, cold (iced) compresses. Prevent contamination, and cover with a clean, dry dressing.

Moving Parts May Cause Injuries



- Keep away from the moving parts.
- Keep all protective devices such as covers, panels, flaps, etc., of machinery and equipment closed and in locked position.
- Wear metal toe shoes against the possibility of heavy objects falling on to your feet.

Fumes and Gases May Be Harmful To Your Health



Long-term inhalation of fumes and gases released from welding / cutting is very dangerous.

- Burning sensations and irritations in the eyes, nose and throat are signs of inadequate ventilation. In such a case, immediately boost the ventilation of the work area, and if the problem persists, stop the welding / cutting process completely.
- Create a natural or artificial ventilation system in the work area.
- Use a suitable fume extraction system where welding / cutting works are being carried out. If necessary, install a system that can expel fumes and gases accumulated in the entire workshop. Use a suitable filtration system to avoid polluting the environment during discharge.
- If you are working in narrow and confined spaces or if you are welding lead, beryllium, cadmium, zinc, coated or painted materials, use masks that provide fresh air in addition to the above precautions.
- If the gas tanks are grouped in a separate zone, ensure that they are well ventilated, keep the main valves closed when gas cylinders are not in use, pay attention to possible gas leaks.
- Shielding gases such as argon are denser than air and can be inhaled instead of air if used in confined spaces. This is dangerous for your health as well.
- Do not perform welding / cutting operations in the presence of chlorinated hydrocarbon vapors released during lubrication or painting operations.
- Some welded / cut parts require special ventilation. The safety rules of products that require special ventilation should be read carefully. A suitable gas mask should be worn when necessary.

Arc Light May Damage Your Eyes and Skin

- Use a standard protective mask and a suitable glass filter to protect your eyes and face.
- Protect other naked parts of your body (arms, neck, ears, etc.) with suitable protective clothing from these rays.
- Enclose your work area with flame-resistant folding screens and hang warning signs at eye level so that people around you will not sustain injuries from arc rays and hot metals.
- This machine is not used for heating of icebound pipes. This operation performed with the welding / cutting machine causes explosion, fire or damage to your installation.

Sparks and Spattering Particles May Get Into Eyes and Cause Damage

- Performing works such as welding / cutting, surface grinding, and brushing cause sparks and metal particles to splatter. Wear approved protective work goggles which have edge guards under the welding masks to prevent sustaining possible injuries.

Hot Parts May Cause Severe Burns

- Do not touch the hot parts with bare hands.
- Wait until the time required for the machine to cool down before working on its parts.
- If you need to hold hot parts, use suitable tools, welding / cutting gloves with high-level thermal insulation and fire-resistant clothes.

Noise May Cause Damage To Your Hearing Ability

- The noise generated by some equipment and operations may damage your hearing ability.
- Wear approved personal ear protective equipment if the noise level is high.

Welding Wires Can Cause Injuries

- Do not point the torch towards any part of the body, other persons, or any metal while unwrapping the welding / cutting wire.
- When welding wire is run manually from the roller especially in thin diameters the wire can slip out of your hand, like a spring or can cause damage to you or other people around, therefore you must protect your eyes and face while working on this.

Welding Operations May Cause Fire and Explosion

- Never perform welding / cutting work in places near flammable materials. There may be fire or explosions.
- Before starting the welding / cutting work, remove these materials from the environment or cover them with protective covers to prevent combustions and flaring.
- National and international special rules apply in these areas.
- Do not apply welding / cutting operations into completely closed tanks or pipes.
- Before welding to tanks and closed containers, open them, completely empty them, and clean them. Pay the greatest attention possible to the welding / cutting operations you will perform in such places.
- Do not weld in tanks and pipes which might have previously contained substances that may cause explosions, fires or other reactions.
- Welding / cutting equipment heats up. For this reason, do not place it on surfaces that could easily burn or be damaged !
- Sparks and splashing parts may cause a fire. For this reason, keep materials such as fire extinguishers tubes, water, and sand in easily accessible places.
- Use holding valves, gas regulators and valves on flammable, explosive and compressed gas circuits. Make sure that they are periodically inspected and pay attention that they run reliably.

Maintenance Work Performed by Unauthorized Persons To Machines and Apparatus May Cause Injuries

- Electrical equipment should not be repaired by unauthorized persons. Errors occurred if failed to do so may result in serious injury or death when using the equipment.
- The gas circuit elements operate under pressure; explosions may occur as a result of services provided by unauthorized persons, users may sustain serious injuries.
- It is recommended to perform technical maintenance of the machine and its auxiliary units at least once a year.

- Welding / Cutting in Small Sized and Confined Spaces**
- In small-sized and confined spaces, absolutely make sure to perform welding / cutting operations, accompanied by another person.
 - Avoid performing welding / cutting operations in such enclosed areas as much as possible.



Failure To Take Precautions During Transport May Cause Accidents



- Take all necessary precautions when moving the machine. The areas where the machine to be transported, parts to be used in transportation and the physical conditions and health of the person carrying out the transportation works should be suitable for the transportation process.
- Some machines are extremely heavy; therefore, make sure that the necessary environmental safety measures are taken when changing their places.
- If the machine is to be used on a platform, it must be checked that this platform has suitable load bearing limits.
- If it is to be transported by means of a haulage vehicle (transport trolley, forklift etc.), make sure of the durability of the vehicle, and the connection points (carrying suspenders, straps, bolts, nuts, wheels, etc.) that connect the machine to this vehicle.
- If the machine will be carried manually, make sure the durability of the machine apparatuses (carrying suspenders, straps, etc.) and connections.
- Observe the International Labor Organization's rules on carriage weights and the transport regulations in force in your country in order to ensure the necessary transport conditions.
- Always use handles or carrying rings when relocating the power-supply sources. Never pull from torches, cables or hoses. Be absolutely sure to carry gas cylinders separately.
- Remove all interconnections before transporting the welding / cutting equipment, each being separately, lift and transport small ones using its handles, and the big ones from its handling rings or by using appropriate haulage equipment, such as forklifts.

Falling Parts May Cause Injuries



Improper positioning of the power-supply sources or other equipment can cause serious injury to persons and physical damage to other objects.

- Place your machine on the floor and platforms with a maximum tilt of 10° so that it does not fall or tip over. Choose places that do not interfere with the flow of materials, where there is no risk of tripping over on cables and hoses; yet, large, easily ventilatable, dust-free areas. To prevent gas cylinders from tipping over, on machines with a gas platform suitable for the tanks, fix the tanks on to the platform; in stationary usage applications, fix them to the wall with a chain in a way that they would not tip over for sure.
- Allow operators to easily access settings and connections on the machine.

Excessive Use Of The Machine Causes Overheating



- Allow the machine to cool down according to operation cycle rates.
- Reduce the current or operation cycle rate before starting the welding / cutting again.
- Do not block the fronts of air vents of the machines.
- Do not put filters that do not have manufacturer approvals into the machine's ventilation ports.

Excessive Use Of The Machine Causes Overheating



- This device is in group 2, class A in EMC tests according to TS EN 55011 standard.
- This class A device is not intended for use in residential areas where electrical power is supplied from a low-voltage power supply. There may be potential difficulties in providing electromagnetic compatibility due to radio frequency interference transmitted and emitted in such places.



This device is not compliant with IEC 61000 -3-12. In case if it is desired to be connected to the low voltage network used in the home, the installer to make the electrical connection or the person who will use the machine must be aware that the machine has been connected in such a manner; in this case the responsibility belongs to the user.

- Make sure that the work area complies with electromagnetic compatibility (EMC). Electromagnetic interferences during welding / cutting operations may cause undesired effects on your electronic devices and network; and the effects of these interferences that may occur during these operations are under the responsibility of the user.
- If there is any interference, to ensure compliance; extra measures may be taken, such as the use of short cables, use of shielded (armored) cables, transportation of the welding machine to another location, removal of cables from the affected device and / or area, use of filters or taking the work area under protection in terms of EMC.
- To avoid possible EMC damage, make sure to perform your welding / cutting operations as far away from your sensitive electronic devices as possible (100 m).

- Ensure that your welding and/or cutting machine has been installed and situated in its place according to the user manual.

Evaluation Of Electromagnetic Suitability Of The Work Area



According to article 5.2 of IEC 60974-9;

Before installing the welding / cutting equipment, the person in charge of the operation and / or the user must conduct an inspection of possible electromagnetic interference in the environment.

Aspects indicated below has to be taken into consideration;

- Other supply cables, control cables, signal and telephone cables, above and below the welding / cutting machine and its equipment,
- Radio and television transmitters and receivers,
- Computer and other control hardware,
- Critical safety equipment, e.g. protection of industrial equipment,
- Medical apparatus for people in the vicinity, e.g. pacemakers and hearing aids,
- Equipment used for measuring or calibration,
- Immunity of other equipment in the environment. The user must ensure that the other equipment in use in the environment is compatible. This may require additional protection measures.
- Considering the time during which the welding / cutting operations or other activities take place during the day, the boundaries of the investigation area can be expanded according to the size of the building, the structure of the building and other activities that are being performed in the building.

In addition to the evaluation of the field, evaluation of device installations may also be necessary for solving the interfering effect. In case if deemed necessary, on-site measurements can also be used to confirm the efficiency of mitigation measures.

(Source: IEC 60974-9).

Electromagnetic Interference Reduction Methods



- The appliance must be connected to the electricity supply in the recommended manner by a competent person. If interference occurs, additional measures may be applied, such as filtering the network. The supply of the fixed-mounted arc welding equipment must be made in a metal tube or with an equivalent shielded cable. The housing of the power supply must be connected and a good electrical contact between these two structures has to be provided.
- The recommended routine maintenance of the appliance must be carried out. All covers on the body of the machine must be closed and / or locked when the device is in use. Any changes, other than the standard settings without the written approval of the manufacturer, cannot be modified on the appliance. Otherwise, the user is responsible for any consequences that may possibly occur.
- Welding / cutting cables should be kept as short as possible. They must move along the floor of the work area, in a side by side manner. Welding / cutting cables should not be wound in any way.
- A magnetic field is generated on the machine during welding / cutting. This may cause the machine to pull metal parts on to itself. To avoid this attraction, make sure that the metal materials are at a safe distance or fixed. The operator must be insulated from all these interconnected metal materials.
- In cases where the workpiece cannot be connected to the ground due to electrical safety, or because of its size and position (for example, in building marine vessel bodies or in steel construction manufacturing), a connection between the workpiece and the grounding may reduce emissions in some cases, it should be kept in mind that grounding of the workpiece may cause users to sustain injuries or other electrical equipment in the environment to break down. In cases where necessary, the workpiece and the grounding connection can be made as a direct connection, but in some countries where direct connection is not permissible, the connection can be established using appropriate capacity elements in accordance with local regulations and ordinances.
- Screening and shielding of other devices and cables in the work area can prevent aliasing effects. Screening of the entire welding / cutting area can be evaluated for some specific applications.

Electromagnetic Field (EMF)



The electrical current passing through any conductor generates zonal electric and magnetic fields (EMF).

All operators must follow the following procedures to minimize the risk of exposure to EMF;

- In the name of reducing the magnetic field, the welding / cutting cables must be assembled and secured as far as possible with the joining materials (tape, cable ties etc.).
- The operator's body and head should be kept as far away from the welding / cutting machine and cables as possible,

The electrical current passing through any conductor generates zonal electric and magnetic fields (EMF).

All operators must follow the following procedures to minimize the risk of exposure to EMF;

- In the name of reducing the magnetic field, the welding / cutting cables must be assembled and secured as far as possible with the joining materials (tape, cable ties etc.).
- The operator's body and head should be kept as far away from the welding / cutting machine and cables as possible,
- Welding / cutting and electric cables should not be wrapped around the body of the machine in any way,
- The body of the machine should not get caught between the welding / cutting cables. The source cables must be kept away from the body of the machine, both being placed side by side,
- The return cable must be connected to the workpiece as close as possible to the work area,
- The welding / cutting machine should not rest against the power unit, ensconce on it and not work too close to it,
- Welding / cutting work should not be performed when carrying the wire supply unit or power unit.

EMF may also disrupt the operation of medical implants (materials placed inside the body), such as pacemakers. Protective measures should be taken for people who carry medical implants. For example, access limitation may be imposed for passers-by, or individual risk assessments may be conducted for welders. Risk assessment should be conducted and recommendations should be made by a medical professional for users who carry medical implants.



- Protection**
- Do not expose the machine to rain, prevent the machine from splashing water or pressurized steam.



- Energy Efficiency**
- Choose the welding / cutting method and welding machine for the welding work you are to perform.
 - Select the welding / cutting current and/or voltage to match the material and thickness you are going to weld.
 - If you have to wait for a long time before you start your welding / cutting work, turn off the machine after the fan has cooled it down. Our machines with smart fan control will turn off on their own.

Waste Procedure



- This device is not domestic waste. It must be directed to recycling within the framework of the European Union directive and national laws.
- Obtain information from your dealer and authorized persons about the waste management of your used machines.

WARRANTY FORM



Please visit our website www.magmaweld.com/warranty-form/wr for warranty form.

TECHNICAL INFORMATION

EN

1.1 General Information

RS 350 M, RS 400 M, RS 500 M, RS 350 MW, RS 400 MW and RS 500 MW are 3 phase step controlled, constant Voltage industrial MIG/MAG machines to weld all types of solid and flux cored wires in any kind of fabrication and erection. The welding voltage adjustment ranges are, for 350 model 21 steps between 20-51 V, for 400 models 28 steps between 16-34 V, for 500 models 30 steps between 16-39 V. Wire feeding unit is a robust 4 wheel drive system which is designed as a separate box from the power source in order to cover larger work areas. It contains a wire feeding motor-gearbox assembly, an electronic controlcard and a gas valve, therefore this unit should be handled carefully at site. The wheels under the box are for the ease of the welder to move the box as he welds, but the box shouldn't be pulled across the work area by the torch. Even though you can manufacture with these machines in a big range of current scale all day long, model 350 is optimized for 1.0 mm, 400 for 1.2 mm, 500 for 1.2-1.6 mm heavy-duty applications.

1.2 Machine Components

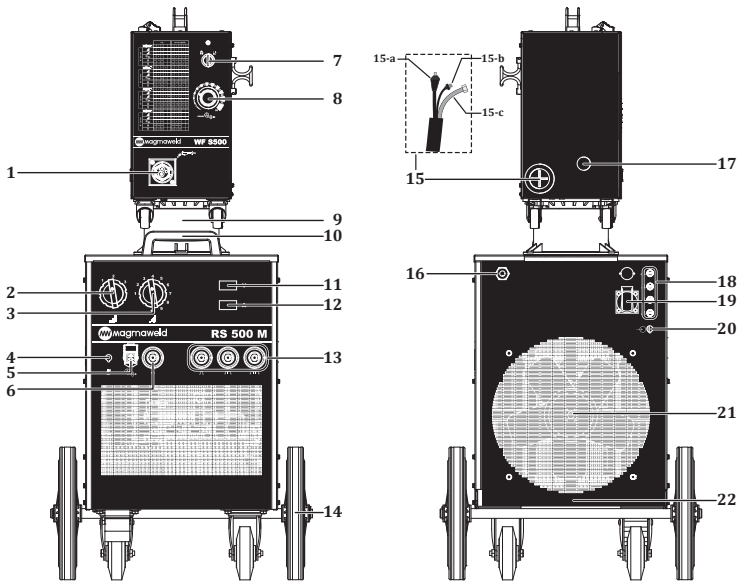


Figure 1 : RS 500 M Front and Back View

- | | |
|------------------------------------------|-------------------------------------|
| 1- Torch Connector | 14- Wheel |
| 2- On / Off and Coarse Adjustment Switch | 15- Wire Feeder Harness |
| 3- Thin Adjustment Switch | 15-a Welding Current Plug |
| 4- Gas Outlet | 15-b Wire Feed Unit Control Cable |
| 5- Wire Feed Unit Connector | 15-c Gas Hose |
| 6- Welding Current Plug Socket | 16- Mains Cable |
| 7- Trigger Mode Switch | 17- Drum Feeding Wire Inlet |
| 8- Wire Speed Adjustment Button | 18- Insurance Group |
| 9- Turn Table | 19- CO ₂ Heater Socket |
| 10- Handle | 20- Gas Inlet |
| 11- Voltmeter | 21- Fan Output |
| 12- Ammeter | 22- Gas Cylinder Transport Platform |
| 13- Workpiece Cable Socket (-) | |

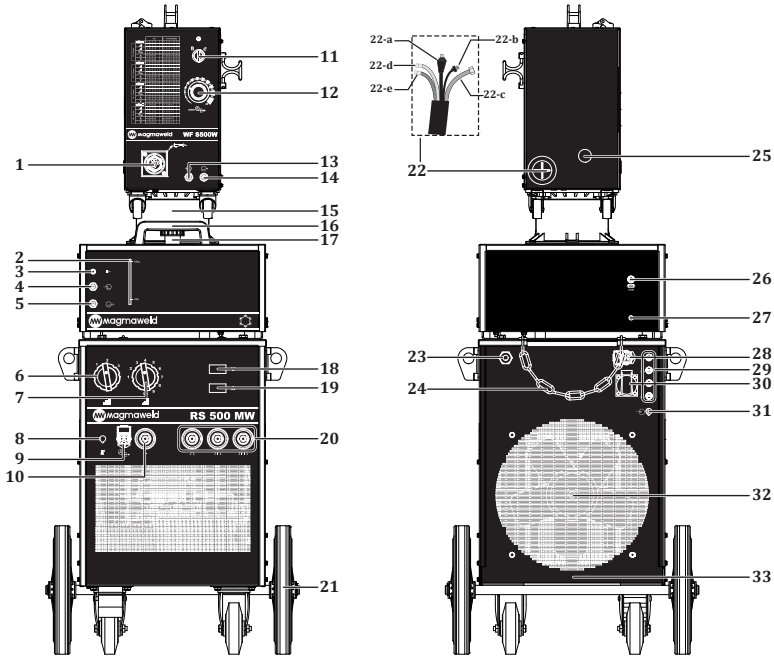


Figure 2 : RS 500 MW Front and Back View

- | | |
|------------------------------------------|------------------------------------------|
| 1- Torch Connector | 20- Workpiece Cable Socket (-) |
| 2- Water Level Indicator | 21- Wheel |
| 3- Cooling System Mains Lamp | 22- Wire Feeder Harness |
| 4- Hot Water Inlet | 22-a Welding Current Plug |
| 5- Cold Water Outlet | 22-b Wire Feed Unit Control Cable |
| 6- On / Off and Coarse Adjustment Switch | 22-c Gas Hose |
| 7- Thin Adjustment Switch | 22-d Cold Water Hose - Blue |
| 8- Gas Outlet | 22-e Hot Water Hose - Red |
| 9- Wire Feed Unit Connector | 23- Mains Cable |
| 10- Welding Current Plug Socket | 24- Gas Cylinder Fixing Chain |
| 11- Trigger Mode Switch | 25- Drum Feeding Wire Inlet |
| 12- Wire Speed Adjustment Button | 26- Water Cooling Unit Insurance |
| 13- Hot Water Inlet | 27- Water Cooling Unit Control Cable |
| 14- Cold Water Outlet | 28- Water Cooling Unit Connection Socket |
| 15- Turn Table | 29- Insurance Group |
| 16- Handle | 30- CO ² Heater Socket |
| 17- Water Tank Cover | 31- Gas Inlet |
| 18- Voltmeter | 32- Fan Output |
| 19- Ammeter | 33- Gas Cylinder Transport Platform |

1.3 Product Label

EN

MAGMA MEKATRONİK MAKİNE SAN. VE TİC. A.Ş. Organize Sanayi Bölgesi 5.Kısım Manisa-TÜRKİYE		MAGMA MEKATRONİK MAKİNE SAN. VE TİC. A.Ş. Organize Sanayi Bölgesi 5.Kısım Manisa-TÜRKİYE		MAGMA MEKATRONİK MAKİNE SAN. VE TİC. A.Ş. Organize Sanayi Bölgesi 5.Kısım Manisa-TÜRKİYE	
RS 350 M / RS 350MW		RS 400 M / RS 400 MW		RS 500 M / RS 500 MW	
Seri No :		Seri No :		Seri No :	
IP21		IP21		IP21	

Three Phase Transformer Rectifier

Horizontal Characteristic

MIG/MAG Welding

Direct Current

Mains Input 3-Phase Alternating Current

Suitable for Operation at Hazardous Environments

X Duty Cycle

U₀ Open Circuit Voltage

U₁ Mains Voltage and Frequency

U₂ Rated Welding Voltage

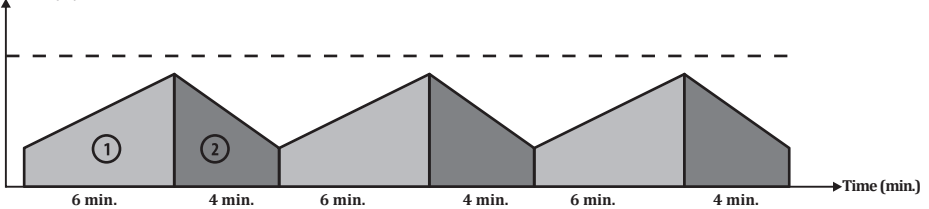
I₁ Rated Mains Current

I₂ Rated Welding Current

S₁ Rated Power

IP21S Protection Class

Duty Cycle
Temperature (C°)



As defined in the standard EN 60974-1, the duty cycle rate includes a time period of 10 minutes. For example, if a machine specified as 250A at %60 is to be operated at 250A, the machine can weld / cut without interruption in the first 6 minutes of the 10 minutes period (zone 1). However, the following 4 minutes should be kept idle for the machine cool down (zone 2).

1.4 Technical Data

TECHNICAL DATA	UNIT	RS 350 M	RS 350 MW
Mains Voltage (3-Phase 50-60 Hz)	V	400	400
Rated Power	kVA	17.3 (%40)	17.3 (%40)
Welding Current Range	ADC	60 - 350	60 - 350
Rated Welding Current	ADC	350	350
Open Circuit Voltage	VDC	20 - 52	20 - 52
Voltage Adjustment and Number of Levels	mm	3 x 7	3 x 7
Dimensions (l x w x h)	mm	1008 x 592 x 1220	1008 x 592 x 1443
Weight	kg	145.5	177
Protection Class		IP 21	IP 21

TECHNICAL DATA	UNIT	RS 400 M	RS 400 MW
Mains Voltage (3-Phase 50-60 Hz)	V	400	400
Rated Power	kVA	19.4 (%50)	19.4 (%50)
Welding Current Range	ADC	45 - 400	45 - 400
Rated Welding Current	ADC	400	400
Open Circuit Voltage	VDC	20 - 48	20 - 48
Voltage Adjustment and Number of Levels	mm	4 x 7	4 x 7
Dimensions (l x w x h)	mm	1020 x 590 x 1290	1020 x 590 x 1515
Weight	kg	134	155
Protection Class		IP 21	IP 21

TECHNICAL DATA	UNIT	RS 500 M	RS 500 MW
Mains Voltage (3-Phase 50-60 Hz)	V	400	400
Rated Power	kVA	28.3 (%40)	28.3 (%40)
Welding Current Range	ADC	45 - 500	45 - 500
Rated Welding Current	ADC	500	500
Open Circuit Voltage	VDC	19 - 53	19 - 53
Voltage Adjustment and Number of Levels	mm	3 x 10	3 x 10
Dimensions (l x w x h)	mm	1020 x 590 x 1290	1020 x 590 x 1515
Weight	kg	195	215
Protection Class		IP 21	IP 21

1.5 Accessories

EN

STANDARD ACCESSORIES	QTY	RS 350 M - MW
Workpiece Clamp and Cable	1	7905203505
Gas Hose	1	7907000002
MIG / MAG CO ₂ Accessory Set*	1	7920000530 / 7920000550
MIG/MAG Mix/Argon Accessory Set*	1	7920000535 / 7920000555
STANDARD ACCESSORIES	QTY	RS 400 M - MW
Workpiece Clamp and Cable	1	7905203505
Gas Hose	1	7907000002
MIG / MAG CO ₂ Accessory Set*	1	7920000530 / 7920000550
MIG/MAG Mix/Argon Accessory Set*	1	7920000535 / 7920000555
STANDARD ACCESSORIES	QTY	RS 500 M - MW
Workpiece Clamp and Cable	1	7905407005
Gas Hose	1	7907000002
MIG / MAG CO ₂ Accessory Set*	1	7920000540 / 7920000550
MIG/MAG Mix/Argon Accessory Set*	1	7920000545 / 7920000555

* Should be verified during ordering.

OPTIONAL ACCESSORIES	QTY	RS 350 M - MW
CO ₂ Heater	1	7020009002
Gas Regulator (CO ₂)	1	7020001005
Gas Regulator (Mix)	1	7020001004
Lava MIG 35 (3 m) Air Cooled MIG Torch	1	7120035003
Lava MIG 40 (3 m) Air Cooled MIG Torch	1	7120040003
Lava MIG 50W (3 m) Water Cooled MIG Torch	1	7120050003

OPTIONAL ACCESSORIES	QTY	RS 400 M - MW
CO ₂ Heater	1	7020009002
Gas Regulator (CO ₂)	1	7020001005
Gas Regulator (Mix)	1	7020001004
Lava MIG 35 (3 m) Air Cooled MIG Torch	1	7120035003
Lava MIG 40 (3 m) Air Cooled MIG Torch	1	7120040003
Lava MIG 50W (3 m) Water Cooled MIG Torch	1	7120050003

OPTIONAL ACCESSORIES	QTY	RS 500 M - MW
CO ₂ Heater	1	7020009002
Gas Regulator (CO ₂)	1	7020001005
Gas Regulator (Mix)	1	7020001004
Lava MIG 40 (3 m) Air Cooled MIG Torch	1	7120040003
Lava MIG 50W (3 m) Water Cooled MIG Torch	1	7120050003

INSTALLATION

2.1 Delivery Control

Make sure that all the materials you have ordered have been received. If any material is missing or damaged, contact your place of purchase immediately.

The standard box includes the following;

- Welding machine and connected mains cable
- Workpiece clamp and cable
- Gas hose
- Warranty certificate
- User manual
- Welding Wire

In case of a damaged delivery, record a report, take a picture of the damage and report to the transport company together with a photocopy of the delivery note. If the problem persists, contact the customer service.

Symbols and their meanings on the device



Welding may be dangerous. Proper working conditions should be ensured and necessary precautions should be taken. Specialists are responsible for the machine and have to be equipped with the necessary equipment and those who are not relevant should be kept away from the welding area.



This device is not compatible with IEC 61000-3-12. If it is desired to connect to the low voltage mains used in homes, it is essential that the installer or the person who will operate the machine to make the electrical connection has information on the machine's connectivity. In this case the responsibility will be assumed by the person who will perform the installation or by the operator.



The safety symbols and warning notes on the device and in the operating instructions must be observed and the labels must not be removed.



Grids are intended for ventilation. The openings should not be covered in order to provide good cooling and no foreign objects should be inserted.

2.2 Installation and Operation Recommendations

- Lifting rings or forklifts should be used to move the machine. Do not lift the machine with the gas cylinder. When manually carrying portable welding machines, action must be taken in accordance with Occupational Health and Safety regulations. Necessary arrangements must be made in the workplace to ensure that the transportation process is carried out in accordance with health and safety conditions as much as possible. Precautions should be taken in accordance with the characteristics of the working environment and the requirements of the job. Place the machine on a hard, level, smooth surface where it will not fall or tip over.
- If the ambient temperature exceeds 40°C, operate the machine at a lower current or a lower operating cycle.
- Avoid welding outdoors in windy and rainy weather circumstances. If welding is necessary in such cases, protect the welding area and the welding machine with a curtain and canopy.
- When positioning the machine, make sure that materials such as walls, curtains, boards do not prevent easy access to the machine's controls and connections.
- If you weld indoors, use a suitable fume extraction system. Use breathing apparatus if there is a risk of inhaling welding fumes and gas in confined spaces.
- Observe the operating cycle rates specified on the product label. Suspending operating cycle rates can damage the machine and this may invalidate the warranty.
- The supply cable must comply with the specified fuse value.
- Tighten the ground wire as close as possible to the workpiece. Do not allow the welding current to pass through equipment other than the welding cables such as the machine itself, gas cylinder, chain and roller bearing.
- When the gas cylinder is placed on the machine, secure the gas cylinder by connecting the chain immediately. If you will not place the gas cylinder on the machine, secure the gas cylinder to the wall with a chain.
- The electrical outlet on the back of the machine is for the CO₂ heater. Never connect a device to the CO₂ outlet other than the CO₂ heater!

2.3 Mains Plug Connection



For your safety, never use the mains cord of the machine without a plug.

- No plug has been connected to the mains cable since there may different types of outlets available in plants, construction sites and workshops. A suitable plug must be connected by a qualified technician. Make sure that the grounding cable marked with ⚡ and a yellow / green color is present.
- After connecting the plug to the cable, do not attach it to the outlet at this stage.

2.4 Welding Connections




2.4.1 Connections of the Wire Feeder

- Place the wire feeder on to the turn table on the machine.
- Connect the blue gas hose to gas outlet bush in front of the power source.
- Connect the control cable to the control socket in front of the power source.
- Connect the welding plug into the welding cable connection outlet in front of the power source.



Be sure that the connections are fastened tightly. Loose or incorrect fastening may cause overheating or gas leakage.

2.4.2 Grounding Pliers Connections

- Grounding cable sockets with different inductance values allow welding with lower spatter in a wide current range. Socket for low current and small wire diameters  socket, for high current and large wire diameters  or  socket should be preferred.
- Connect the grounding pliers wire to one of the grounding wire sockets on the machine and tighten by turning it to the right.
- To improve the welding quality, firmly connect the grounding pliers to the workpiece as close as possible to the welding area.

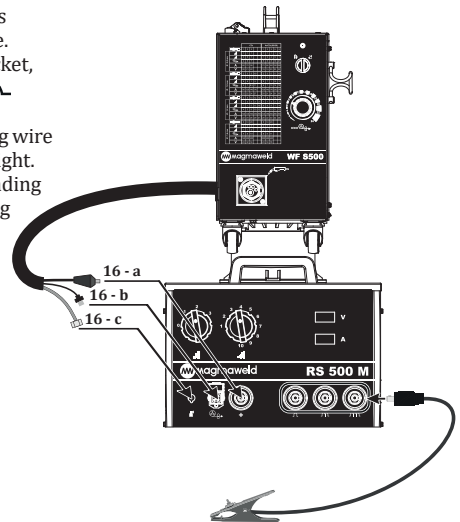


Figure 3 : Intermediate Pack and Grounding Pliers Connections

2.4.3 Water Cooling Unit (for MW Models)

- Unit The water cooling unit is used to cool the torch It is a closed circuit system consisting of radiator, fan, pump coolant reservoir.
- Connect the cold (blue) water hose to the cold water outlet on the water cooling system, and the hot (red) water hose to the hot water inlet on the water cooling system.
- Magmaweld welding machines come with Magmaweld coolant, which is produced to give the best performance. In case of lack of coolant, open the coolant reservoir cap and add Magmaweld coolant suitable for the temperature of the working environment. The coolant must be within the minimum and maximum values shown on the front panel of the unit.
- Different coolant or water should not be added. Different liquid additives can cause chemical reactions or different problems.
- Magmaweld is not responsible for the risks that may arise in case of adding different liquids. All warranty provisions will be void if different coolant or water is added to the Magmaweld coolant.
- If it is desired to use a different brand of coolant, the inside of the coolant tank should be completely empty and there should be no residue or liquid in it.
- It is not suitable to use the water-cooling units with welding machines other than manufactured by Magma Mekatronik Makine ve Sanayi Ticaret A.Ş. Water cooling units cannot be operated with external supply.

2.4.4 Connections for Long Harness

- Machines with harness longer than 5 meter have detachable harness and wire feeding connection in order to lift easier. Both ends of the harness are the same, therefore sockets and connectors must be connected to the wire feeding unit same as the connections to the front side of the machine.
- If your machine has harness longer than 5 meter, connect the harness to the wire feeding unit as seen below.

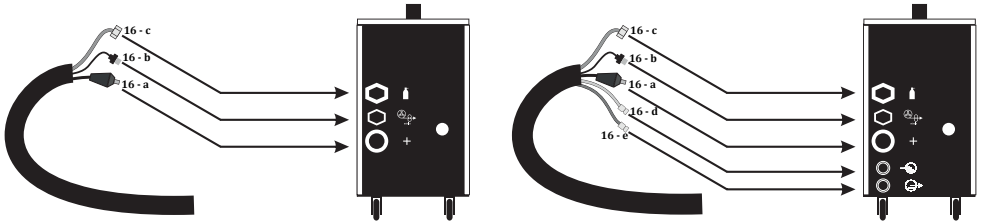
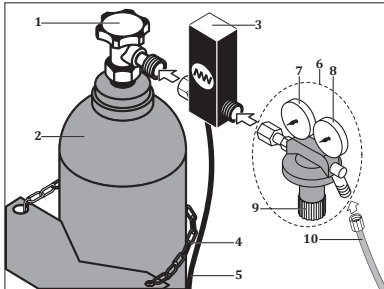


Figure 4 : Long Harness Connections

2.4.5 Gas Connections

- If you will use the gas cylinder on the gas cylinder transport platform on the machine, place the gas cylinder here and secure it with a chain.
- If you will not place the gas cylinder on the machine, secure the gas cylinder to the wall with a chain.
- Use safety regulators and heaters according to the standards for work safely to achieve the best results.
- Make sure the size of the hose connection of the gas regulator you are using is 3/8 .
- Open the gas cylinder valve keeping your head and face away from the outlet of the valve and keep it open for 5 seconds. By this means, possible sediment and impurities will be discharged.
- If the CO₂ heater is to be used, first connect the CO₂ heater to the gas cylinder. After connecting the gas regulator to the CO₂ heater, insert the plug of the CO₂ heater into the CO₂ heater outlet on the back of the machine.
- If the CO₂ heater will not be used, connect the gas regulator directly to the gas cylinder.
- Connect one end of the tube hose to the gas regulator and tighten the clamp. Connect the other end to the gas inlet at the back of the machine and tighten the nut.
- Open the gas cylinder valve to check that the tube is full and that there are no leaks in the gas flow path. If you hear a noise and/or detect a smell of gas as a leak indicator, examine your connections and eliminate leakage.



- | | |
|----------------------------------------|--------------------------|
| 1- Gas Cylinder Valve | 6- Gas Regulator |
| 2- Gas Cylinder | 7- Manometer |
| 3- CO ₂ Heater | 8- Flowmeter |
| 4- Chain | 9- Flow Adjustment Valve |
| 5- CO ₂ Heater Energy Cable | 10- Gas Hose |

Figure 5 : Gas Cylinder - Heater - Regulator Connections

OPERATION

3.1 Connection to Mains



When plugging the power plug into the outlet, make sure that the power switch is set to "0".

- Check the 3-phase with a voltmeter before connecting the machine to the mains. After detecting that each phase is 400V ($\pm 40V$), attach the plug into the wall outlet.
- Start the machine with the on / off switch.
- Turn the machine off by turning the switch back to the "0" position after hearing the fan sound and seeing the ammeter and voltmeter lights are on.



Figure 6 : Mains Connection

3.2 Preparation and Connection of the Torch

- Use the torch according to the capacity of your machine and the welding you will perform.
 - Make sure that the diameters of the spiral and contact nozzle inside the torch match the diameter of the welding wire you will use. Replace the spiral and contact nozzle if necessary.
 - To change the spiral, remove the nozzle, contact nozzle and adapter respectively.
- Afterwards, remove the spiral nut on the torch connector side with a wrench and extend the torch so that it is in flat position and remove the spiral inside the torch.
 - After inserting the new spiral into the torch, install and firmly tighten the spiral nut.

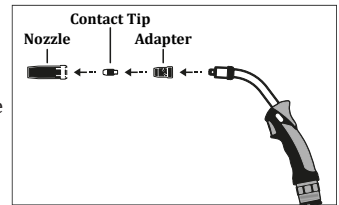


Figure 7 : Separation of Nozzle and Contact Nozzle from the Torch

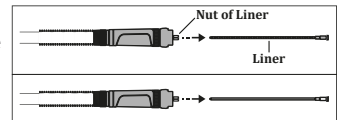


Figure 8 : Removal and Installation of Spiral

- Cut the excess of the spiral from the torch head with a side chisel at the point where the gas distributor (contact nozzle holder) immediately ends as shown on the right, so that there is no gap between the spiral and the contact nozzle. File the cut point to make it blunt and burr free.

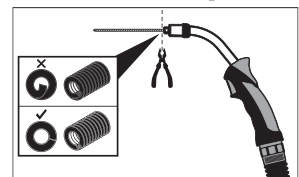


Figure 9 : Cutting the Spiral Extension

- Insert the torch into the torch connector and screw its nut (**T1**) tightly.
- If your machine has water cooling unit and you will use water-cooled torch, connect the cold water connector (**blue - T2**) of the torch to the cold water supply outlet on the wire feeding unit and connect the hot water connector (**red - T3**) of the torch to the hot water return inlet on the wire feeding unit.

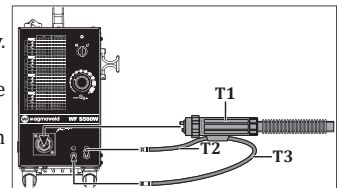
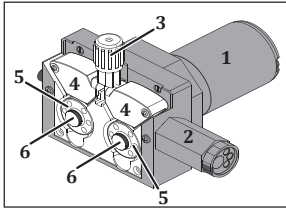


Figure 10 : Torch Connection

3.3 Selection and Replacement of Wire Feed Rollers

- Open the cover of the wire feed part. You will see the four-roller wire feed system.



- 1- Engine
- 2- Euro Connector
- 3- Pressure Roller Handle
- 4- Pressure Rollers
- 5- Wire Feed Rollers
- 6- WF Roller Screws

Figure 11 : Wire Feed System

- Use wire feed rollers suitable for the material and diameter of the welding wire you will use. Use V-grooved wire feed rollers for steel and stainless steel, corrugated V-grooves for cored wires and U corrugated ones for aluminum.
- If you need to replace the wire feed rollers, pull the pressure roller lever toward your side and after lifting the pressure rollers, remove the wire feed roller screws and remove the existing rollers.

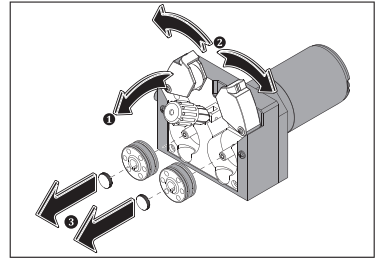
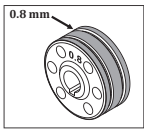


Figure 12 : Wire Feed Roller Removal



Both sides of the rollers are marked according to the wire diameter used. Place the rollers on the flange so that the wire diameter value you will use will be on the side facing your side.

- After inserting the rollers, you will use, re-insert the screws and lower the pressure rollers and lock the pressure roller lever onto the rollers.

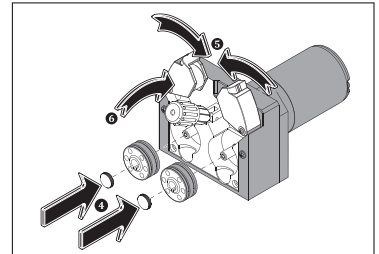


Figure 13 : Wire Feed Roller Placement

3.4 Placing the Wire Spool and Wire Feeding Process

- Unscrew the screw of the wire transport system by turning it. Insert the welding wire roller parallel to the wire ground and always from the bottom to the wire transport system shaft and re-tighten the screw.

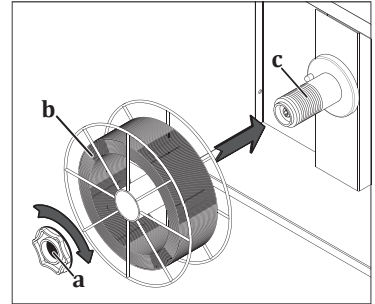
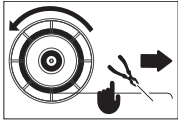


Figure 14 : Placement of Wire Spool



Over-tightening the nut will prevent the wire from feeding and may cause failures. Under-tightening of the nut may cause the roller to be released at the time wire feed is stopped and mixed after a while. For this reason, do not connect the nut too tightly or too loosely.



- Pull and lower the pressure lever on the wire feed rollers, which means bring the pressure rollers to idle position.
- Remove the welding wire from the point where the roller is connected and cut off the end with a side chisel.



If the end of the wire is missed, the wire can jump like a spring and damage you and others.

- Pass the wire through the wire entry slot without releasing the wire into the rollers and into the torch through the rollers.

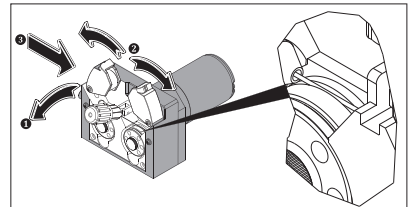
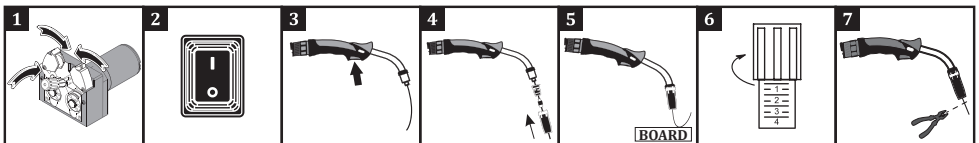


Figure 15 : Feeding the Wire to Rollers



- Press the pressure rollers and lift the pressure lever **1**.
- Turn the on/off switch to position "1" to start the machine **2**.
- Press the trigger until the wire comes out from the tip of the torch, while observing that the welding wire roller rotates freely then push and release the trigger a few times to check for any loosening of the winding **3**. If loosening and/or backwinding is observed, tighten the screw of the wire bearing system.
- Re-attach the nozzle and contact nozzle to the torch when the wire comes out from the tip of the torch **4**.
- Drive the wire on a **5** board and make the appropriate wire pressure adjustment **6** and cut the tip of the wire **7**.

- A: Suitable wire pressure and conduit dimensions
- B: The wire is distorted since the pressure lever is too tight.
- C: The roller surface is deteriorated due to excessive pressure on the pressure lever.
- D: The conduit length of the roller is small for the wire used. The shape of the wire is distorted.
- E: The conduit length of the roller is big for the wire used. The wire cannot be transmitted to the welding area.

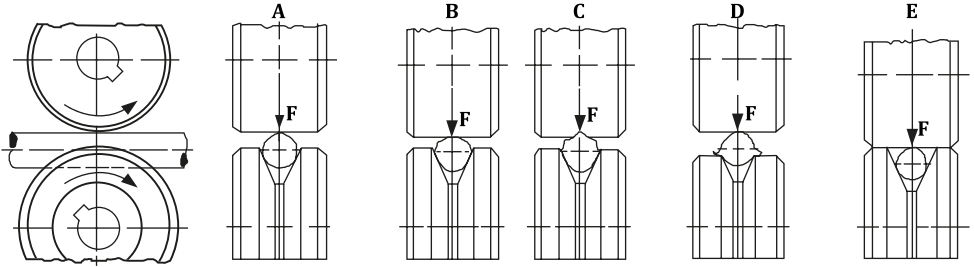


Figure 16 : Pressure Setting and Roller Selection Mistakes

3.5 Adjustment of Gas Flow



Make the gas adjustment and gas test by lifting the wire feed roller pressure lever!

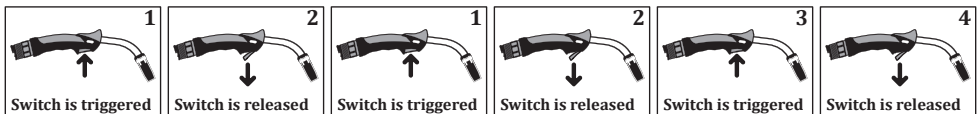
- Adjust the gas flow with the flow control valve.
- Practical gas flow rate (CO₂, Ar, mixture) is 10 times of wire diameter. For example, if the wire diameter is 0.9 mm, the gas flow rate can be adjusted as 10 x 0.9 = 9 l/min.
- You can use the table on the side for more precise flow adjustment.
- After adjusting the gas flow, lift the thrust bearing arm and close the wire feed unit door.

	Mild Steel and Metal Cored	Flux Cored	Stainless Steel	Aluminium
Diameter (mm)				
0.8	8 lt/min	7 lt/min	8 lt/min	8 lt/min
0.9	9 lt/min	8 lt/min	9 lt/min	9 lt/min
1.0	10 lt/min	9 lt/min	10 lt/min	10 lt/min
1.2	12 lt/min	11 lt/min	12 lt/min	12 lt/min
1.6	16 lt/min	15 lt/min	16 lt/min	16 lt/min

Note: Recommended values in standard conditions.

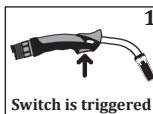
3.6 Using Trigger Modes

- The trigger mode switch selects 2-position, 4-position or pnt position.
- The 2-position operates as shown in Figure 17.
- The 4-position operates as shown in Figure 18. The 4-position provides ease of use for the welder in long-term and automatic welding operations.
- In the pnt mode, the welding starts at the moment the trigger is pressed, the welding continues until the set time period is on and stands by as long as the off-time period. The process continues in this manner until the trigger is released and the welding stops as soon as the trigger is released.

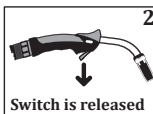


Gas starts instantly
Current starts instantly
Wire feeding starts after pre gas

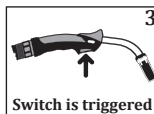
Wire stops instantly
Current stops after burn back
Gas stops after post gas



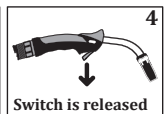
Gas starts instantly
Current starts instantly
Wire feeding starts after pre gas



Gas goes on
Current goes on
Wire goes on



Gas goes on
Current goes on
Wire goes on



Wire stops instantly
Current stops after burn back
Gas stops after post gas

Figure 17 : Using the 2-Position

Figure 18 : Using the 4-Position

3.7 Starting and Ending the Welding Process

EN

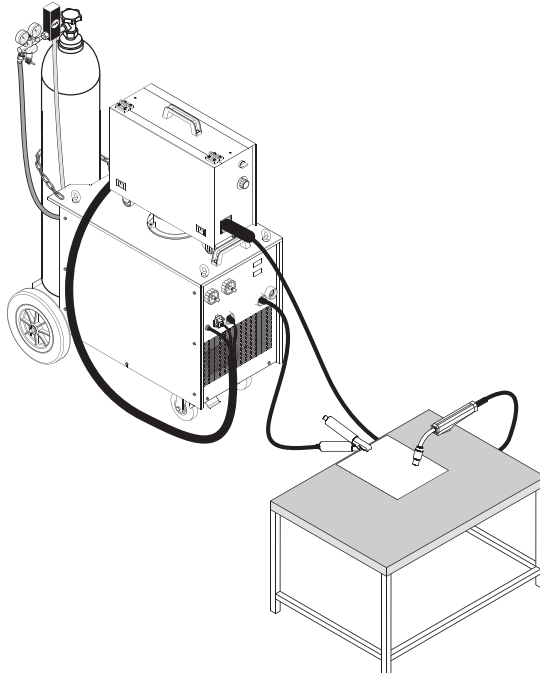






Figure 19 : Welding Connections

- Determine the Coarse Adjustment “, Fine Adjustment” and Wire Feed Speed from the welding parameters table of your machine according to the diameter of the wire you will use, the type of gas you will use and the thickness of the material to be welded, and set your machine to these settings.

-  Wire Diameter
-  Material Thickness
-  Coarse Adjustment Range
-  Fine Adjustment
-  Wire Feeding Speed
- A** Current
- V** Voltage

- You can start welding after making sure that you comply with all safety rules and take the necessary precautions.
- During welding, instantaneous welding voltage will be displayed in voltmeter and instantaneous welding current will be displayed in ammeter.



When not welding, leave the torch in such a way that it does not touch the workpiece, the welding pliers, the hood of the machine and the trigger does not remain pressed.

- After you have finished working with the welding machine, allow the machine to cool down and turn the on / off switch to “0”. Unplug the machine and close the gas cylinder.

3.8 Welding Parameters

- The welding parameters were obtained by horizontal welding with solid wire in laboratory conditions. Values may vary depending on the application and ambient conditions.

RS 350 M /MW

		CO ₂				Ar/CO ₂ (80/20)					
		1	2	3	5	1	2	3	5	5	
Ø : 0,8 mm		1	2	3		1	2	3	5	5	
		1	2	2	3	1	2	2	2	3	
		4	1	5	1	3	2	4	7	2	
		5	7	12	16	5	9	11	16	16	
		A	65	90	130	160	68	121	130	160	180
	V	18	20	24	27	17.3	20.5	22	25.5	28.3	
Ø : 1,0 mm		2	3	5	10	2	3	5	5	10	
		2	2	3	3	2	2	2	3	3	
		3	7	2	4	3	6	7	1	2	
		6.5	11	15	15	9	12	13	14	17	
		A	100	150	195	200	135	170	180	200	230
	V	22	26	28	31	21	25	26	27.5	29	
Ø : 1,2 mm		3	5	10	12	14	3	5	5	10	14
		2	2	3	3	3	2	2	2	3	3
		3	7	2	3	4	1	4	7	2	4
		7	9.5	12	13	14.2	7	8.5	10	12	14
		A	160	200	240	240	260	160	200	210	260
	V	22	26	29	30.5	32	19.5	22	26	29	32

RS 400 M /MW

		CO ₂				Ar/CO ₂ (80/20)					
		1	2	3		1	2	3	5	5	
Ø : 0,8 mm		1	1	2		1	1	2	2	3	
		5	7	3		3	7	1	6	7	
		5	6	9		6.5	9	10.5	13	20	
		A	60	80	100		90	100	110	140	190
		V	20	21	22.5		18.5	20	20.5	24	30.5
Ø : 1,0 mm		2	3	5	10	2	3	5	5	10	
		2	2	3	3	1	2	3	4	4	
		2	5	1	6	7	3	1	1	5	
		4.5	6	9	12	6	7	11	15	20	
		A	100	110	150	200	110	140	170	230	290
	V	22	24	25	30	20	21	25	31	37	
Ø : 1,2 mm		3	5	10	12	14	3	5	5	10	14
		2	3	3	3	4	2	3	4	4	4
		3	1	5	7	1	2	1	1	6	7
		4	6	8	10	11	5	7	11	15	17
		A	120	160	220	230	250	140	200	250	350
	V	22	25	29	30	31	21	24	31	37	38

RS 500 M /MW

		CO ₂				Ar/CO ₂ (80/20)					
		1	2	3		1	2	3	5	5	
Ø : 0,8 mm		1	1	1		1	1	1	1	3	
		3	5	7		1	2	4	9	1	
		4	6	7		5	6	8	10	21	
		A	60	70	90		70	85	100	120	200
		V	20	21	22		19	19	20	23	33
Ø : 1,0 mm		2	3	5	10	2	3	5	5	10	
		1	1	2	2	1	1	2	2	3	
		6	8	1	5	5	7	1	10	2	
		5	7	8.5	11	6	7	10	14	18	
		A	90	120	140	170	120	140	170	220	270
	V	22	22	24	27	20	21	24	31	33	
Ø : 1,2 mm		3	5	10	12	14	3	5	5	10	14
		1	2	2	2	2	1	1	2	3	3
		7	1	5	8	10	6	9	9	1	4
		4	5	9	10	12	5	7	10	11	15
		A	120	140	190	230	250	140	180	250	280
	V	22	24	26	29	31	20	22	30	32	35
Ø : 1,6 mm		5	10	20		5	10	20			
		2	3	3		2	3	3			
		1	1	3		4	3	5			
		4	8	10		6	9	11			
		A	140	300	350		250	380	440		
	V	24	32	34		24	34	36			



MAINTENANCE AND SERVICE

EN

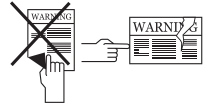
- Maintenance and repairs to the machine must be carried out by a qualified personnel. Our company will not be responsible for any accidents that may occur by unauthorized interventions.
- Parts that will be used during repair can be obtained from our authorized services. The use of original spare parts will extend the life of your machine and prevent performance losses.
- Always contact the manufacturer or an authorized service designated by the manufacturer.
- Never make interventions yourself. In this case the manufacturer warranty is no longer valid.
- Always comply with the applicable safety regulations during maintenance and repair.
- Before performing any work on the machine for repair, disconnect the machine's power plug from the power supply and wait for 10 seconds for the capacitors to discharge.

4.1 Maintenance



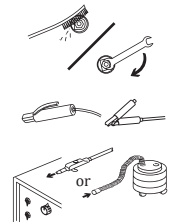
Every 3 Months

- Do not remove the warning labels on the device. Replace the worn/torn labels with the new ones. Labels can be obtained from the authorized service.
- Check your torch, clamps and cables. Pay attention to the connections and the durability of the parts. Replace the damaged/defective parts with the new ones. Do not ever make additions to/repair the cables.
- Ensure adequate space for ventilation.
- Before starting welding, check the gas flow rate from the tip of the torch with a flow meter. If the gas flow is high or low, bring it to the appropriate level for the welding process.



Every 6 Months

- Clean and tighten fasteners such as bolts and nuts.
- Check the lead of the electrode pliers and earth pliers.
- Open the side covers of the machine and clean with low pressure dry air. Do not apply compressed air to electronic components at close range.
- Periodically replace the water in the tank of the water cooling unit with fresh, hard water and protect it against freezing with antifreeze.



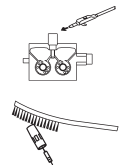
NOTE: The above mentioned periods are the maximum ones that should be applied if no problems are encountered in your device. Depending on the work load and contamination of your work environment, you can repeat the above processes more frequently.



Never operate the machine when covers are open.

4.2 Non-Periodic Maintenance

- The Wire Feeding Mechanism must be kept clean and the roller surfaces must not be lubricated.
- Always remove any deposits on the mechanism with dry air each time you replace a welding wire.
- The consumables on the torch should be cleaned regularly. It should be replaced if necessary. Make sure that these materials are original products for long-term use.



4.3 Troubleshooting

The following tables contain possible errors to be encountered and their solutions.

Failure	Reason	Solution
Machine is not operating	<ul style="list-style-type: none"> The machine is not connected to the mains, or the plug is not connected 	<ul style="list-style-type: none"> Make sure that the machine is plugged in
	<ul style="list-style-type: none"> The mains connections are not correct 	<ul style="list-style-type: none"> Check whether the mains connections are correct
	<ul style="list-style-type: none"> The power supply fuses, mains cable or plug are problematic 	<ul style="list-style-type: none"> Check the power supply fuses, mains cable and plug
	<ul style="list-style-type: none"> The fuse has blown 	<ul style="list-style-type: none"> Check the fuse
	<ul style="list-style-type: none"> Contactor failure 	<ul style="list-style-type: none"> Check the contactor
Wire feed motor failure	<ul style="list-style-type: none"> The fuse has blown 	<ul style="list-style-type: none"> Check the fuse
	<ul style="list-style-type: none"> Electronic card failure 	<ul style="list-style-type: none"> Contact the authorized service
The wire feed motor is operating, but the wire is not moving further	<ul style="list-style-type: none"> Wire feed rollers were not chosen to fit the wire diameter 	<ul style="list-style-type: none"> Select the appropriate wire feed roller
	<ul style="list-style-type: none"> The pressure on the wire feed rollers is too minimal 	<ul style="list-style-type: none"> Adjust the pressure roller
Welding quality is not good	<ul style="list-style-type: none"> There is a problem in the connection of grounding clamps of the machine 	<ul style="list-style-type: none"> Make sure that the grounding clamps of the machine is connected to the workpiece
	<ul style="list-style-type: none"> Cables and connection points are worn out 	<ul style="list-style-type: none"> Make sure that the cables are secure and that the connection points are not worn
	<ul style="list-style-type: none"> Parameter and process selection are not correct 	<ul style="list-style-type: none"> Make sure that the parameter and process selection are correct. Follow the steps below according to the process you have selected
	<ul style="list-style-type: none"> Gas flow is not open or faulty 	<ul style="list-style-type: none"> Check that the gas flow is open, ensuring that the flow is correct
	<ul style="list-style-type: none"> Welding torch is damaged 	<ul style="list-style-type: none"> Make sure the welding torch is secure
	<ul style="list-style-type: none"> Consumables were selected incorrectly or damaged 	<ul style="list-style-type: none"> Appropriate consumables should be selected and the consumables on the torch must be cleaned regularly. Improperly selected or worn consumables should be replaced
	<ul style="list-style-type: none"> The pressure adjustment of the rollers is not correct 	<ul style="list-style-type: none"> Pressure roller settings must be made correctly

Failure	Reason	Solution
Fan is not operating	• The fuse has blown	• Check the fuse
	• Fan motor failure	• Contact the authorized service
Machine operates noisily	• Contactor failure	• Contact the authorized service
Unstable and / or non-adjustable welding current	• Diode group failure	• Contact the authorized service
Heater outlet is not operating	• The fuse has blown	• Check the fuse. Contact the authorized service

4.4 Fuses

Fuse	Amperage	Feature	Protected Circuit
F1	10 A	Fast	Motor and Card of the Wire Feeder
F2	1 A	Delayed	Cooler Fan
F3	1 A	Fast	CO ₂ Heater
F4	1 A	Fast	Card of Voltmeter / Ampermeter

4.5 Error Codes

Error Code	Error	Cause	Solution
Err	Thermal Protection	• The uptime of your machine may have been exceeded	<ul style="list-style-type: none"> • Allow the machine to cool down by waiting for a while. If the fault disappears, try to use the machine at lower amperage values • If the problem continues, contact the authorized service
		• Fan may not be working	<ul style="list-style-type: none"> • Check visually whether the fan is working or not • If the problem continues, contact the authorized service
		• The front of the air inlet-outlet ducts may be blocked	<ul style="list-style-type: none"> • Open the front of the air ducts • If the problem continues, contact the authorized service
		• The machine working environment may be too hot or stuffy	<ul style="list-style-type: none"> • Make sure that the working environment of the machine is not excessively hot or stuffy • If the problem continues, contact the authorized service
	Water Cooling Unit Error	• There may be an error in the water cooling unit	<ul style="list-style-type: none"> • Check water cooling unit connector and torch inlets/outlets • Make sure there is water circulation • If the problem continues, contact the authorized service

ANNEX

5.1 Fine Settings in the Wire Feed Unit

You can make fine adjustments through panel which is above wire feeder.

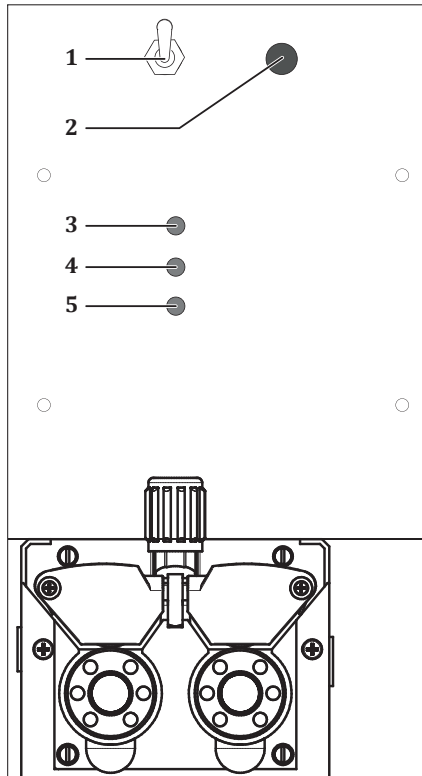
1- Soft Start Switch : While the switch is ON, the wire is fed at a slow speed until it touches to the work piece. Then, wire feeding goes on at the adjusted speed. While the switch is OFF, wire feeding starts at the adjusted speed.

2- Free Wire Feeding Button : The wire is fed as long as you push this button, but the gas ventile does not work. You can use this function for inserting the wire to the torch.

3- Post-Gas Adjustment Trimmer : In order to increase the post-gas time, rotate the trimmer clockwise with a slot screwdriver. In order to decrease the post-gas time, rotate the trimmer counter-clockwise. Post-gas time can be adjusted in a range of 0 - 3 sec.

4- Pre-Gas Adjustment Trimmer : In order to increase the pre-gas time, rotate the trimmer clockwise with a slot screwdriver. In order to decrease the pre-gas time, rotate the trimmer counter-clockwise. Pre-gas time can be adjusted in a range of 0 - 3 sec.

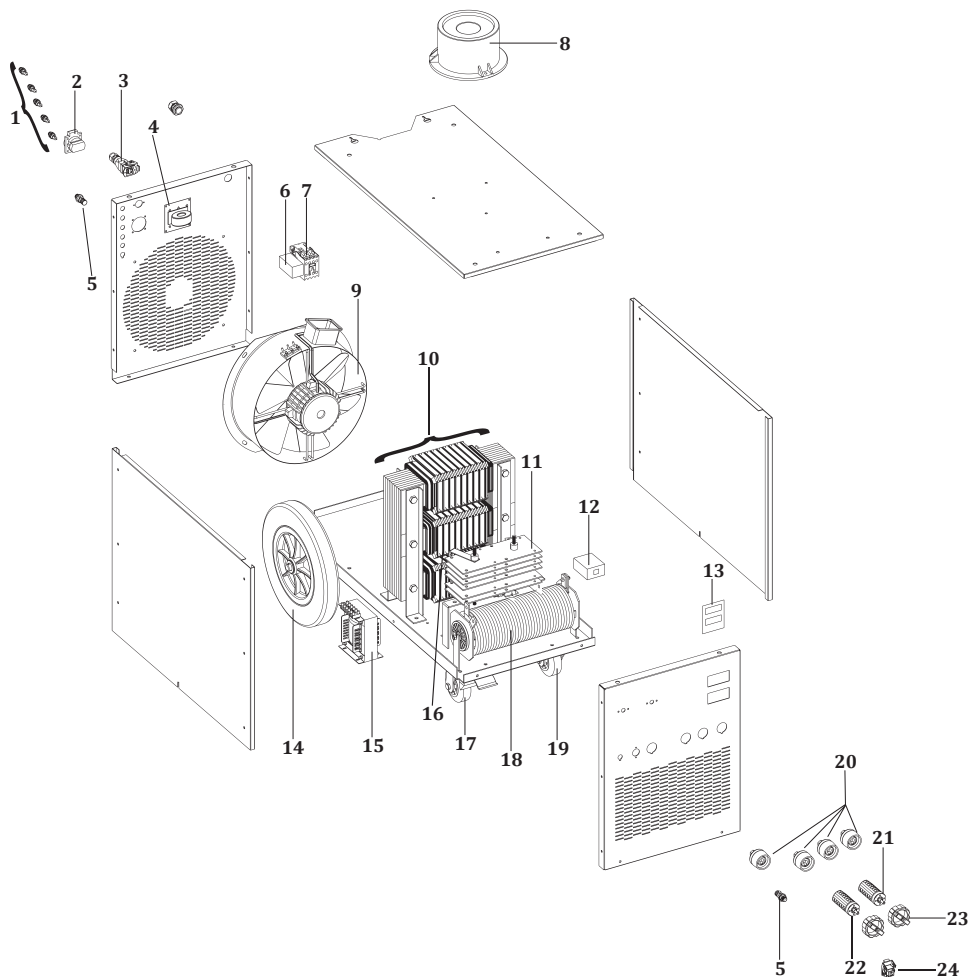
5- Burn Back Adjustment Trimmer : In order to increase the burn back time, rotate the trimmer clockwise with a slot screwdriver. In order to decrease the burn back time, rotate the trimmer counter-clockwise. Burn back time can be adjusted in a range of 0 - 1 sec.



5.2 Spare Parts Lists

Power Source Spare Parts List

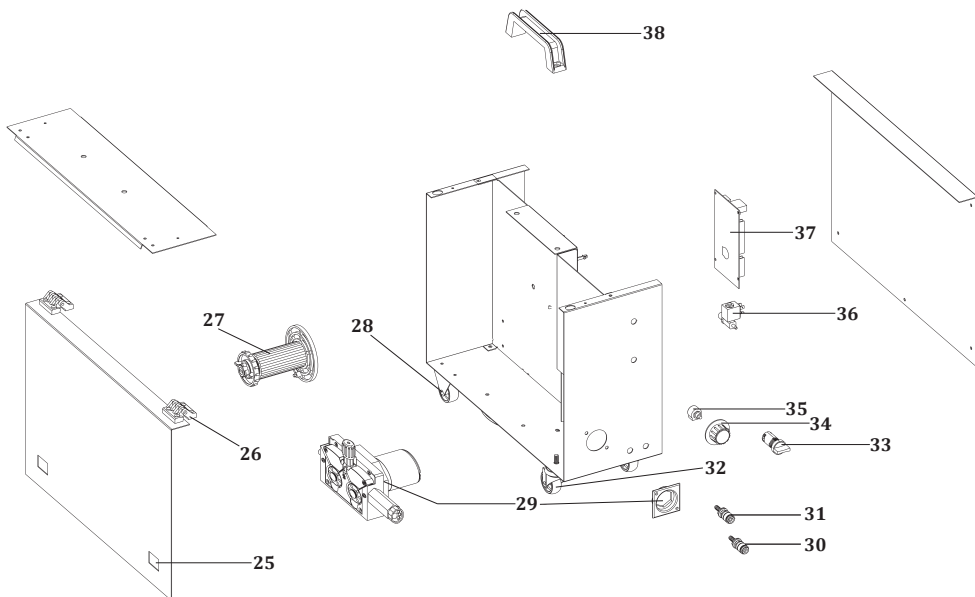
EN



NO	DEFINITION	RS 350 M / MW	RS 400 M / MW	RS 500 M / MW
1	Glass Fuse Socket	A300190001	A300190001	A300190001
2	Monophase Socket Machine	A377100004	A377100004	A377100004
3	Connector	A378002003	A378002003	A378002003
4	Electronic Card RS Filter	K405000224	K405000224	K405000262
5	Gas Fitting	A256006067	A256006067	A256006067
6	EMC Filter	K405000902	K405000902	K405000902
7	Connector	A311000032	A311000032	A311000050
8	Turn Table	K090200002	K090200002	K090200002
9	Cooler Fan	A250001002	A250001002	A250001002
10	Main Transformer	K304000065	K304100108	K304100110
11	Diode Group	A430901010	A430901011	A430901012
12	Hall Effect Sensor	A834000002	A834000002	A834000003
13	Ampermeter Voltmeter Card	K405000018	K405000018	K405000018
14	Plastic Wheel	A225222012	A225222012	A225222012
15	Control Transformer	K304400024	K304400024	K304400024
16	Primary-Secondary Coil	K302200064	K302200208	K302200210
17	Plastic Swivel Wheel	A225220108	A225220108	A225220108
18	Shock Coil	K304500041	K304500048	K304500087
19	Plastic Swivel Wheel	A225220010	A225220010	A225220010
20	Welding Socket	A377900106	A377900106	A377900106
21	Pacco Switch	A308032020	A308032070	A308033104
22	Pacco Switch	A308032022	A308032074	A308033112
23	Switch Button	A308900004	A308900004	A308900004
24	Connector	A378002002	A378002002	A378002002

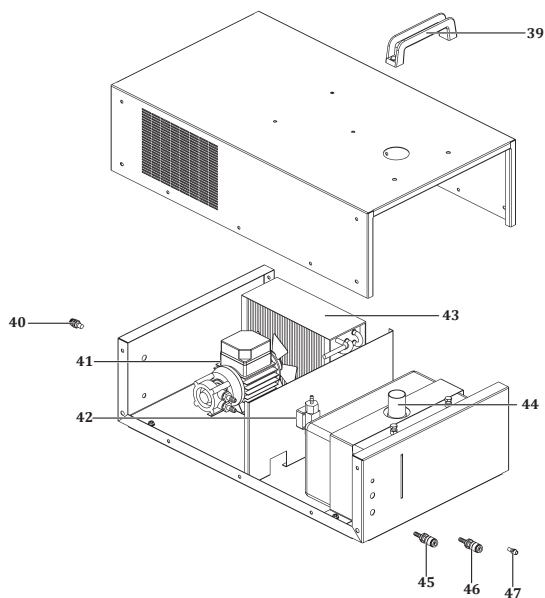
Wire Feeder Spare Parts List

EN



NO	DEFINITION	MATERIAL CODE
		RS 350 MW - RS 400 MW - RS 500 MW
25	Cover Lock	A229300006
26	Hinge	A229200005
27	Wire Carr. Mac. System 3 - Way Connection	A229900003
28	Sheet Fixed Wheels	A225101004
29	Wire Feed System	K309002210
30	Quick Coupling Red	A245700003
31	Quick Coupling Blue	A245700002
32	Sheet Metal Swivel Wheel	A225100004
33	Latch Button	A310030002
34	Potency Button	A229500002
35	Potentiometer	A410810004
36	Gas Valve	A253006014
37	Electronic Card	K405000351
38	Bakelite U-Arm	A229102002

EN Water Cooling Unit Spare Parts List

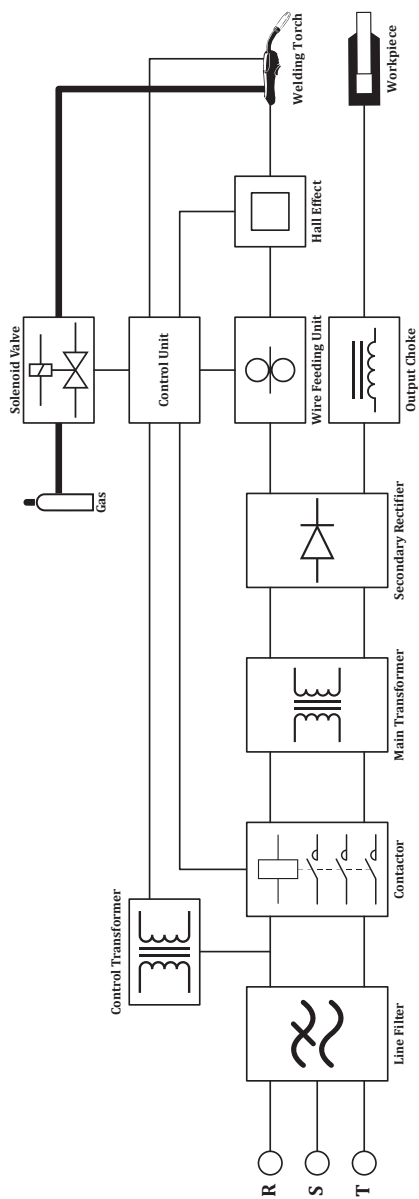


NO	DEFINITION	MATERIAL CODE
		RS 350 MW - RS 400 MW - RS 500 MW
39	U Bakelite Sleeve	A229102002
40	Glass Fuse Holder	A300190001
41	Water Pump	A240000004
42	Flow Switch	A314210018
43	Radiator	A260000004
44	Water Tank	A249000003
45	Quick Coupling Blue	A245700002
46	Quick Coupling Red	A245700003
47	Signal Bulb Neon	A310310002

5.3 Connection Diagrams

Block Diagram

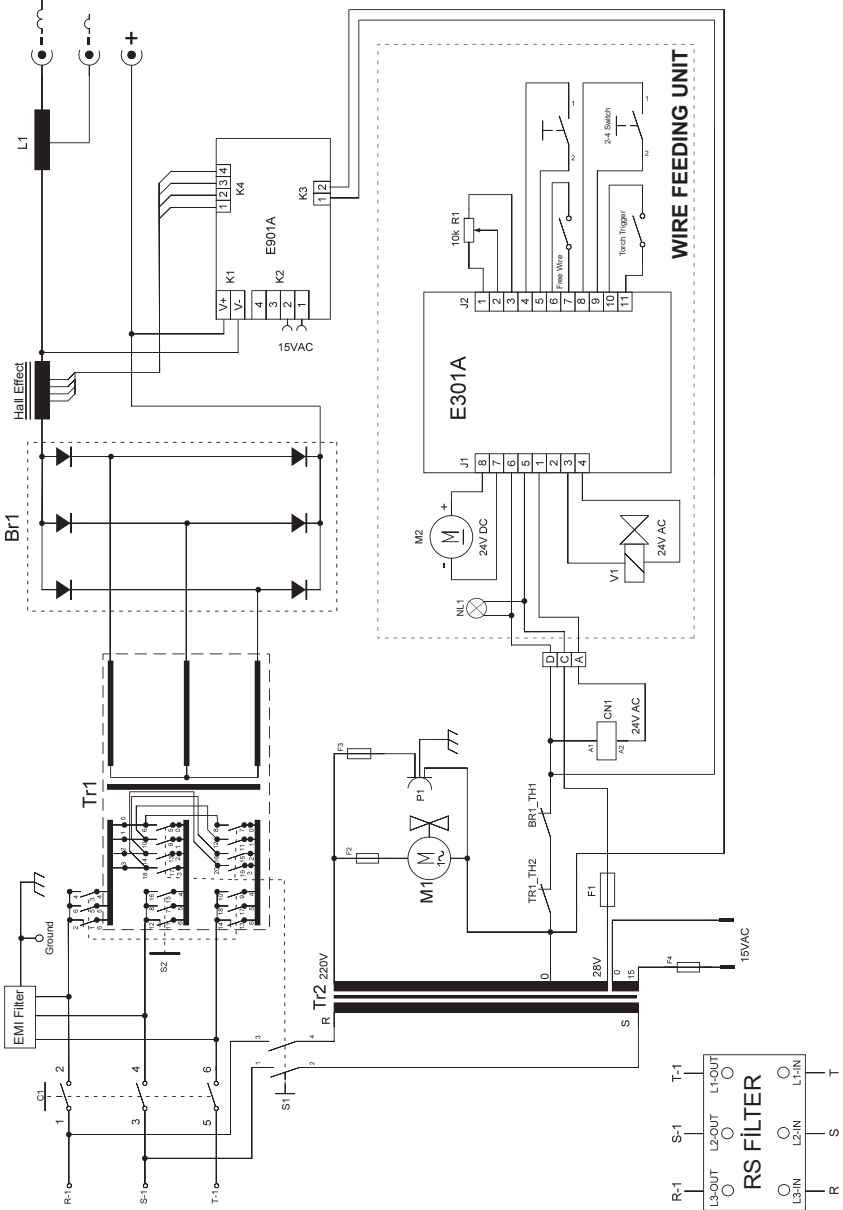
EN



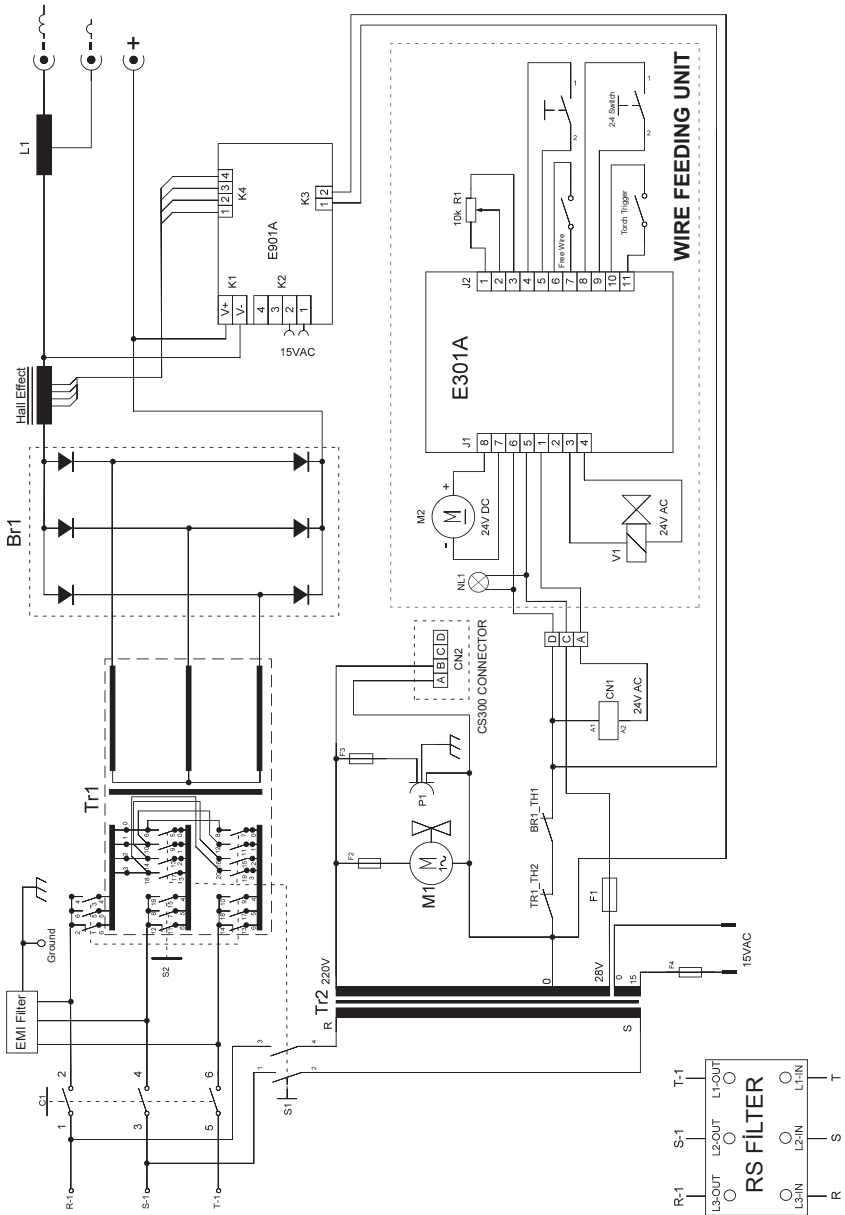
EN

Circuit Diagrams

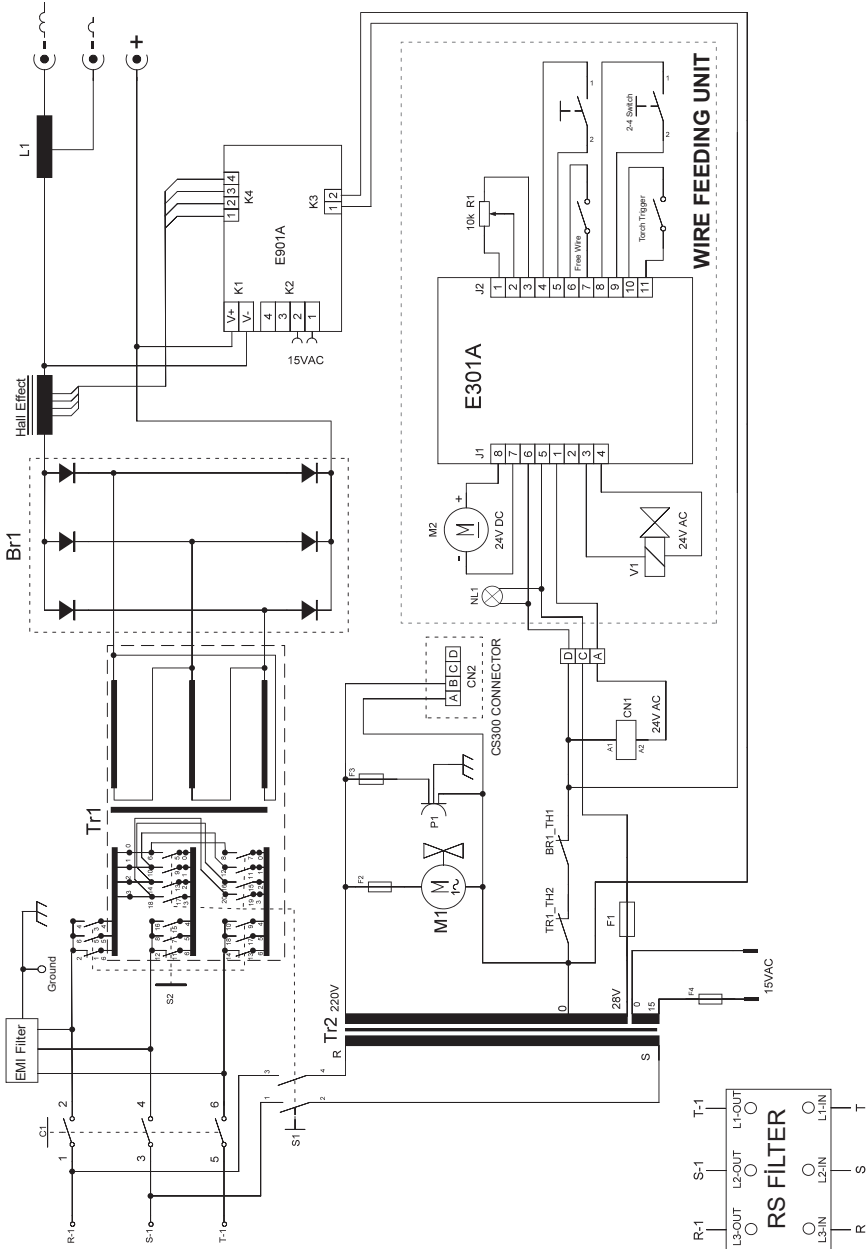
RS 350 M



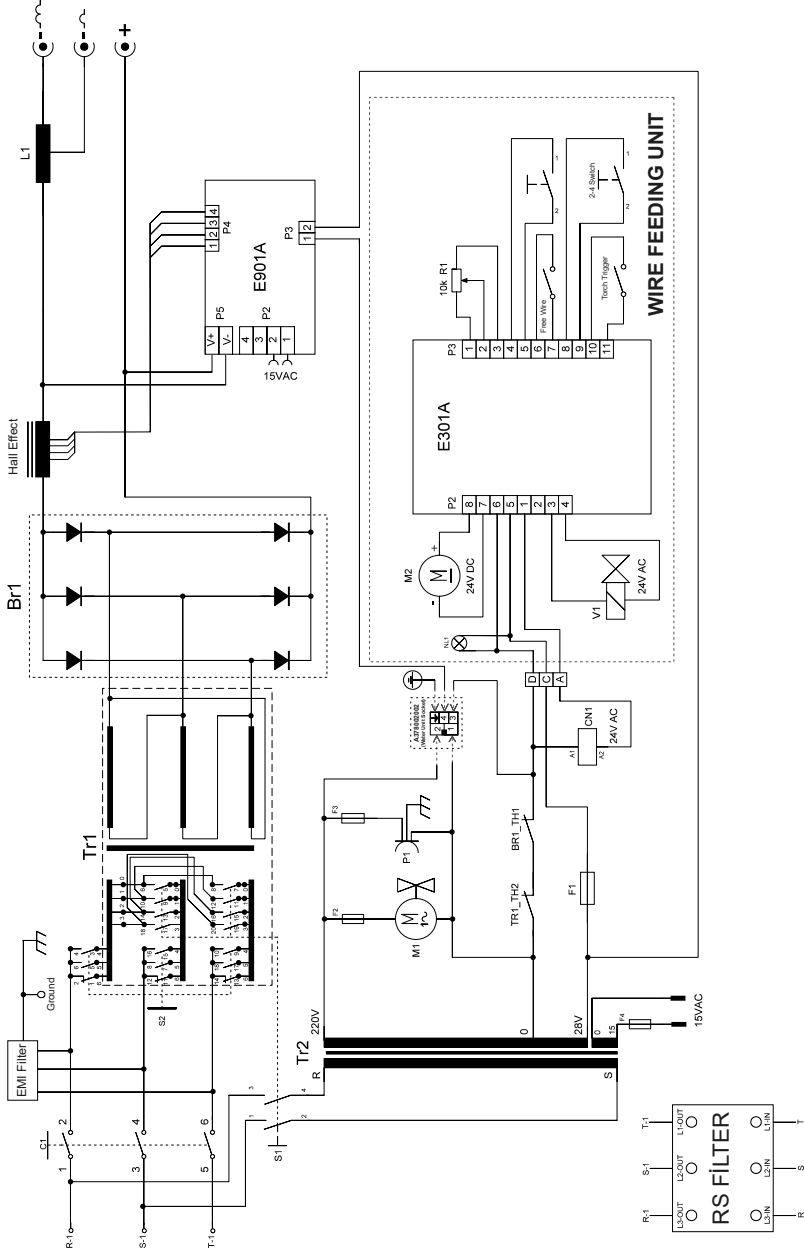
RS 350 MW



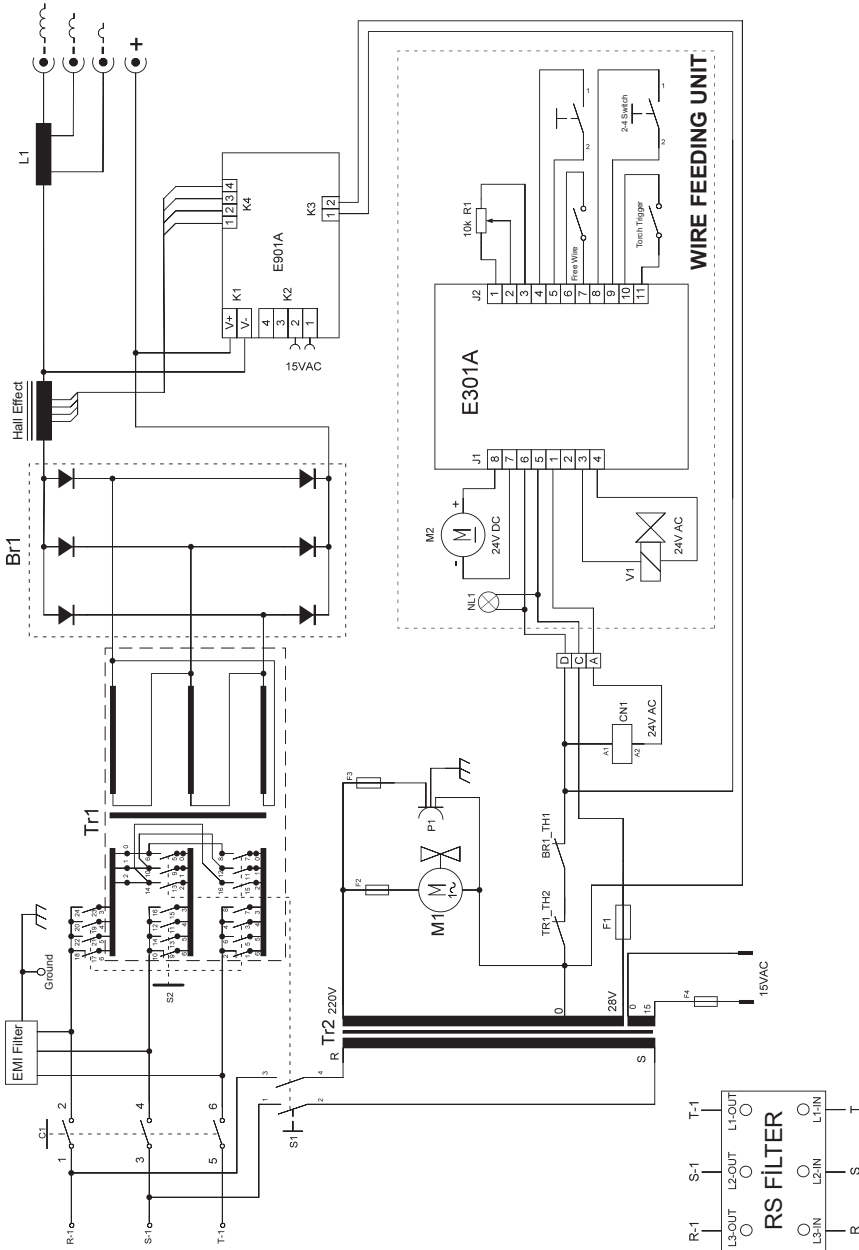
RS 400 M



RS 400 MW

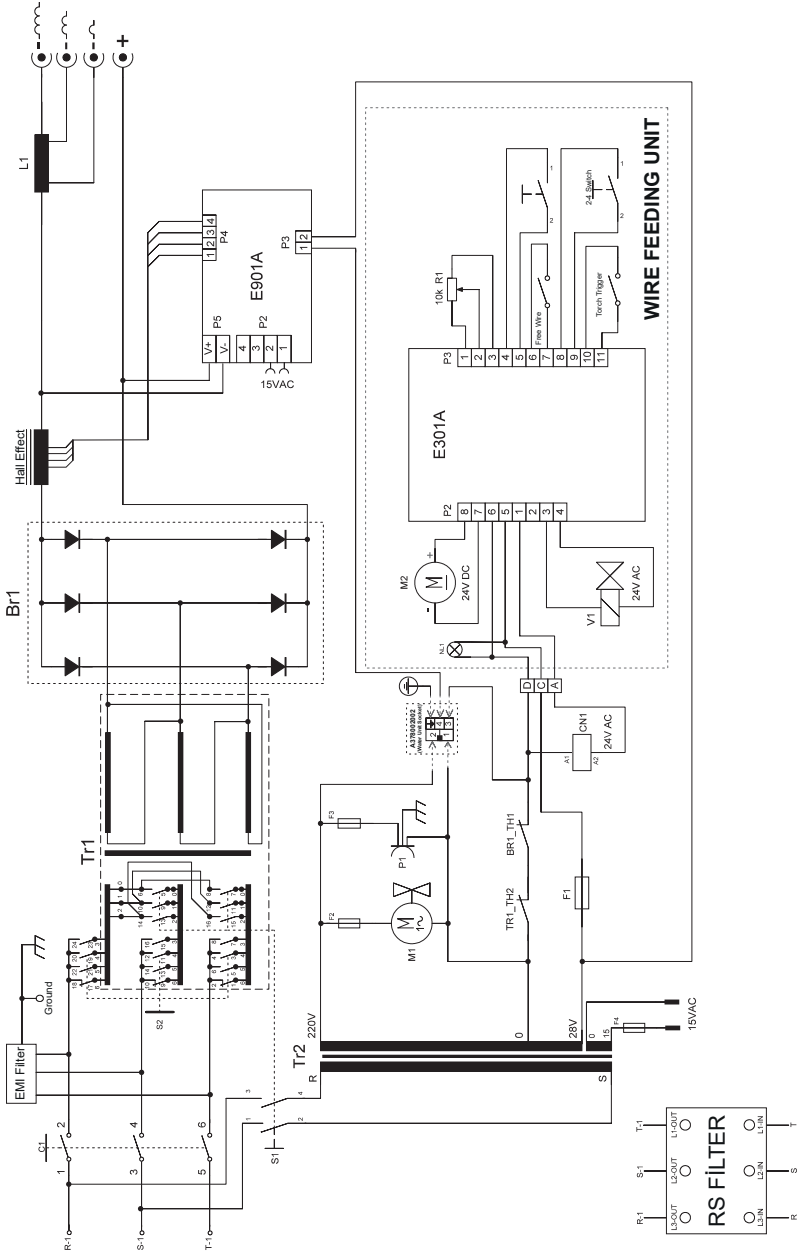


RS 500 M



RS 500 MW

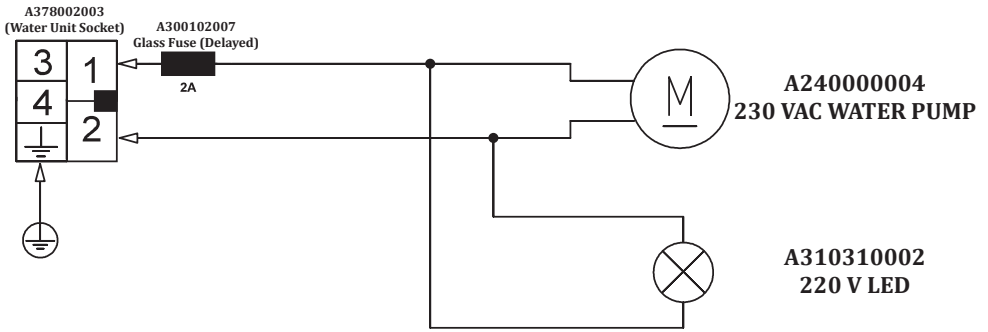
EN



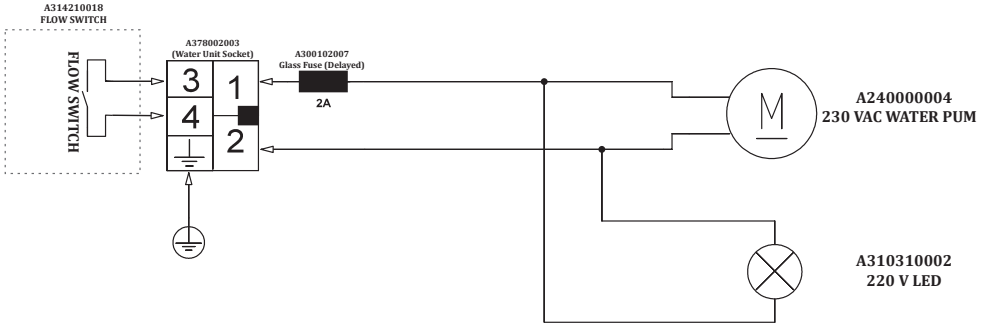
EN

Water Unit Circuit Diagram

RS 350 MW



RS 400 MW / RS 500 MW



PRODUCT INFORMATION**Model****Serial Number****MANUFACTURER****Name**

MAGMA MEKATRONİK MAKİNE SANAYİ VE TİCARET A.Ş.

Address

Organize Sanayi Bölgesi 5. Kısım MANİSA

Phone / E-mail

+90 236 226 27 00 / info@magmaweld.com

PURCHASE INFORMATION**Dealer Name****City / Country****Phone / E-mail****Purchase Date****CUSTOMER INFORMATION****Company Name****City / Country****Phone / E-mail****Contact Name****SERVICE INFORMATION (if applicable)****Company Name****Technician's Name****Commissioning Date**
(Warranty Start Date)

Please visit our web site www.magmaweld.com/warranty-terms/wt for warranty terms.


SOMMAIRE

	CONSIGNES DE SÉCURITÉ	46
1	SPÉCIFICATIONS TECHNIQUES	
1.1	Explications Générales	52
1.2	Composants	52
1.3	Étiquette du Produit	54
1.4	Caractéristiques Techniques	55
1.5	Accessories	56
2	INSTALLATION	
2.1	Considérations Relatives à la Réception du Poste de Soudage	58
2.2	Conseils d'Installation et de Fonctionnement	58
2.3	Branchements Électriques	59
2.4	Branchements pour le Poste à Souder	59
2.4.1	Connexions du Dévidoir	59
2.4.2	Branchement de la Pince de la Mise à la Masse	59
2.4.3	Unité de Refroidissement Par Eau (Pour les Modèles MW)	60
2.4.4	Connexion Des Paquets Longs Intermédiaires	60
2.4.5	Connexions de Gaz	61
3	UTILISATION	
3.1	Branchement Au Réseau	62
3.2	Préparation et Branchement de la Torche	62
3.3	Choix et Remplacement des Galets du Dévidoir	63
3.4	Installation de la Bobine de Fil et Dévidage	64
3.5	Ajustement du Débit de Gaz	65
3.6	Utilisation des Modes de Gâchette	65
3.7	Début et Fin du Soudage	67
3.8	Paramètres de Soudage	68
4	MAINTENANCE ET DÉFAILLANCES	
4.1	Maintenance	69
4.2	Maintenance Non Périodique	70
4.3	Dépannage	70
4.4	Tableau des Fusibles	71
4.5	Codes d'incident	72
5	ANNEXE	
5.1	Réglages Précis du Dévidoir	73
5.2	Listes des Pièces Détachées	74
5.3	Schémas de connexion	78

✓ CONSIGNES DE SÉCURITÉ

Respectez toutes les consignes de sécurité du manuel!

Informations sur la Sécurité



- Les pictogrammes de sécurité utilisés dans le présent manuel sont destinés à identifier les dangers potentiels.
- Si un pictogramme de sécurité apparaît dans le présent manuel, cela signifie qu'il existe un risque de blessure et que les dangers éventuels doivent être écartés en lisant attentivement les explications fournies.
- Le propriétaire de la machine est responsable d'empêcher les personnes non autorisées d'accéder à l'équipement.
- Toute personne appelée à travailler avec cette machine doit posséder l'expérience en soudage / coupage ou avoir terminé avec succès la formation requise, lire le présent manuel d'utilisation avant de travailler et se conformer à tout moment aux consignes de sécurité.

Pictogrammes de Sécurité



ATTENTION

Indique une situation potentiellement dangereuse qui pourrait causer des blessures ou des dommages. Le fait de ne pas prendre de précautions peut causer des blessures ou des pertes ou dommages matériels.



REMARQUE

Indique des informations et des avertissements concernant l'utilisation de la machine.



DANGER

Indique une situation imminente dangereuse qui, si elle n'est pas évitée, entraînera une blessure grave ou mortelle.

Prise de connaissance des consignes de sécurité



- Veuillez lire attentivement le présent manuel d'utilisation, les étiquettes et les consignes de sécurité se trouvant sur la machine.
- Assurez-vous que les étiquettes d'avertissement sur la machine sont en bon état. Remplacez les étiquettes manquantes ou endommagées.
- Veuillez prendre connaissance des informations concernant l'utilisation et les procédés de vérification de votre machine.
- Utilisez votre machine dans des environnements de travail appropriés.
- Des modifications inappropriées à votre machine peuvent avoir un impact négatif sur la sécurité de fonctionnement et la durée de vie de votre machine.
- Le fabricant ne pourra pas être tenu responsable des conséquences du fonctionnement de l'appareil en dehors des conditions préconisées.

L'électrisation peut entraîner la mort



Veuillez à ce que les procédures d'installation soient conformes aux normes nationales en matière d'électricité et aux autres règlements pertinents. L'installation de la machine doit être effectuée par des personnes autorisées.

- Porter un tablier de travail et des gants de protection secs offrant une bonne isolation. Ne jamais utiliser des gants et des tabliers de travail mouillés ou endommagés.
- Porter des vêtements de protection ignifuges contre le risque de brûlure. Les vêtements utilisés par l'opérateur doivent être protégés contre les étincelles, les projections et le rayonnement d'arc.
- Ne travaillez pas seul. Soyez sûr d'avoir quelqu'un qui peut vous aider en cas de danger dans votre lieu de travail.
- Ne touchez pas l'électrode avec la main nue. Ne laissez pas être en contact la pince d'électrode ou l'électrode avec quelqu'un ou avec un objet alimentaire.
- Ne touchez aucun composant électrique.
- Ne touchez pas l'électrode si vous êtes en contact avec l'électrode reliée à la surface de travail, au plancher ou à une autre machine.
- Vous pouvez vous protéger d'une électrisation potentielle en vous isolant de la surface de travail et du sol. Utilisez un matériau isolant non inflammable, électriquement isolant, sec et non endommagé, suffisamment grand pour couper le contact de l'opérateur avec la surface de travail.
- Ne connectez pas plus d'une électrode au porte-électrode.
- Placez bien la pince de masse métal-sur-métal sur votre objet de travail ou sur la table à souder.

- Vérifiez la torche avant d'utiliser la machine. Assurez-vous que la torche et ses câbles sont en bon état. Assurez-vous de remplacer une torche endommagée ou usée.
- Ne pas laisser toucher les deux pinces de masse connectés à deux différents postes. Ceci est dangereux vu qu'il y aura deux tensions en circuit ouvert.
- Gardez le poste éteint et déconnecter les câbles de soudage quand vous vous ne travaillez pas.
- Avant de réparer la machine, retirez toutes les connexions d'alimentation et / ou les connecteurs ou éteignez la machine.
- Soyez prudent lorsque vous utilisez un long câble secteur.
- Soyez sur que toutes les connexions sont bien serrées, propres et seches.
- Soyez sur que les câbles sont secs, sans graisses et protégés du métal chaud et des étincelles.
- Fil dénudé peut tuer. Contrôler fréquemment vos câbles de soudage. S'il y a des câbles endommagés ou non isolés, réparer ou échanger immédiatement les câbles.
- Isoler le câble de masse quand il n'est pas connecté à un objet de travail.
- Assurez-vous que la mise à la terre de la ligne d'alimentation est correctement connectée.
- N'utilisez pas le courant alternatif (AC) dans des endroits humides, mouillés ou confinés. Eviter également les endroits où il y aura un risque de chute.
- Le courant alternatif doit être utilisé uniquement s'il est nécessaire pour le procès de soudage.
- Si le courant alternatif est obligatoire pour votre travail, utilisez (si existe) votre télécommande pour régler votre poste.

Les précautions additionnelles sont nécessaires si une des conditions hasardeuses ci-dessous existe :

- Dans des endroits humides ou si vos habilles sont mouillés,
- Sur les structures métalliques comme les escaliers, les grilles ou les échafauds,
- Dans des positions comme assises, à genoux ou allongées,
- Quand il ya un grand risque d'accident ou d'un contact inévitable avec l'objet de travail ou la masse.

Pour les conditions mentionnées ci-dessus, utilisez les équipements ci-dessous dans l'ordre de présentation :

- Un poste MIG semi-automatique en courant continu (DC),
- Un poste à souder MMA en courant continu (DC),
- Un poste en courant continue ou alternatif avec la tension réduit à circuit ouvert (VRD).

Procédures à suivre en cas de l'électrocution



- Arrêtez le courant électrique.
- Utilisez des matériaux non conductibles comme le bois sec pour couper le contact de la victime avec les câbles ou les endroits alimentés.
- Appelez les services de secours.

Si vous avez suivi une formation aux premiers secours ;

- Si la victime ne respire plus, après avoir coupé le contact de la victime avec le courant, effectuez immédiatement la réanimation cardiorespiratoire (RCP). Continuez la RCP jusqu'au moment où la victime respire de nouveau ou les secours arrivent,
- Utilisez un défibrillateur automatique (DEA) selon les instructions indiquées dessus.
- Traiter une brulure électrique comme une brulure thermique. Appliquez des compresses stériles et froides.

Les pièces mobiles peuvent causer des blessures



- Éloignez-vous des objets en mouvement.
- Gardez tous les capots de protection tels que les portes, les panneaux, les portes des machines et des appareils fermés et verrouillés.
- Portez des chaussures à coque métallique à protection contre le risque de chute d'objets lourds.

La fumée et les gaz peuvent être nocifs pour votre santé



L'inhalation prolongée de la fumée et du gaz générés par le soudage / coupage et le découpage est très nocive pour la santé.

- La sensation de brûlure et l'irritation au niveau des yeux, des muqueuses nasales et des voies respiratoires sont des symptômes d'une ventilation inadéquate. Dans ce cas, veuillez augmenter immédiatement le niveau de ventilation de la zone de travail et arrêter le processus de soudage / coupage si le problème persiste.
- Créez un système d'aération naturelle ou artificielle dans la zone de travail.
- Utilisez un système d'absorption de fumée approprié à l'endroit où le soudage / coupage et le découpage sont effectués. Si nécessaire, installez un système adéquat pour éliminer les fumées et les gaz accumulés dans l'ensemble de l'atelier. Utilisez un système de filtration approprié pour éviter de polluer l'environnement lors du rejet.
- Si vous travaillez dans des espaces étroits ou confinés, ou que vous soudez du plomb, du béryllium, du cadmium, du zinc, des matériaux revêtus ou peints, utilisez une protection respiratoire autonome en plus des précautions susmentionnées.

- Si les bouteilles de gaz sont groupées dans une zone séparée, assurez-y une bonne ventilation, gardez les soupapes principales fermées lorsque les bouteilles de gaz ne sont pas utilisées, et surveillez les fuites de gaz éventuelles.
- Les gaz protecteurs tels que l'argon étant plus denses que l'air, ils peuvent être inhalés à la place de l'air s'ils sont utilisés à l'intérieur. Cela présente également un risque pour votre santé.
- Ne soudage / coupage pas dans des environnements contenant des vapeurs d'hydrocarbures chlorés libérées lors de la lubrification ou de la coloration.
- Certaines pièces soudées / coupées nécessitent une ventilation spéciale. Aération spéciale Les règles de sécurité des produits qui le nécessitent doivent être lues attentivement. Le masque à gaz doit être porté Dans de tels cas, un masque à gaz approprié doit être porté.

La lumière émise par l'arc peut endommager vos yeux et votre peau



- Pour protéger vos yeux et votre visage, utilisez un masque et un écran de protection en verre appropriés (4 à 13 selon la norme EN 379).
- Protégez les autres parties nues de votre corps (bras, cou, oreilles, etc.) contre ces rayons à l'aide des vêtements de protection adéquats.
- Munissez votre plan de travail d'écrans anti-flammes au niveau des yeux et accrochez des panneaux d'avertissement afin que les gens autour de vous ne soient pas exposés aux rayons de l'arc et métaux chauds.
- Cette machine n'est pas destinée à chauffer des tuyaux gelés. Ce procédé provoquera une explosion, un incendie ou des dommages à votre installation.

Les étincelles et les protections de pièces peuvent blesser vos yeux



- Les procédés tels que le soudage / coupage, le meulage, le brossage de la surface peuvent générer des étincelles et des projections de particules métalliques. Portez des lunettes de protection homologuées munies de bordures de protection sous le masque de soudeur afin de prévenir les blessures éventuelles.

Les surfaces chaudes peuvent causer de brûlures graves



- Ne touchez pas les pièces chaudes à mains nues.
- Avant d'intervenir sur les pièces de la machine, attendez un certain temps pour les laisser refroidir.
- Si vous devez manipuler les pièces chaudes, portez des outils appropriés, gants de soudage / coupage à isolation thermique et vêtements résistant au feu.

Le bruit peut altérer votre capacité d'ouïe



- Le bruit créé par certains équipements et processus peut altérer l'ouïe.
- Si le niveau de bruit est élevé, portez des protège-oreilles agréés.

Le fil de soudage peut causer des blessures



- Ne maintenez pas la torche contre une partie du corps, d'autres personnes ou tout autre métal lors du dévidage du fil de soudage.
- Lors de l'ouverture manuelle du fil de soudage à partir de la bobine - en particulier pour les diamètres minces - le fil peut être éjecté de votre main comme un ressort, ce qui pourrait vous blesser ou blesser des tiers, protégez particulièrement vos yeux et votre visage lors de cette manipulation.

Le procédé de soudage / coupage peut entraîner des incendies et des explosions



- Ne jamais souder à proximité de matériaux inflammables. Un incendie ou des explosions peuvent se produire.
- Enlevez ces matériaux de l'environnement avant de commencer à soudage / coupage ou couvrez-les avec des couvertures protectrices pour éviter les brûlures.
- Les règles nationales et internationales spécifiques s'appliquent dans ces domaines.

- Ne procédez à aucune opération de soudage / coupage e ni de découpage sur des tubes ou des tuyaux entièrement fermés.
- Avant de soudage / coupage des tubes et des conteneurs fermés, ouvrez-les, videz-les complètement, ventilez-les et nettoyez-les. Prenez toutes les précautions nécessaires lors d'un soudage / coupage dans ces types d'endroits.
- Ne soudez pas les tubes ou les tuyaux destinés aux substances susceptibles de provoquer une explosion, un incendie ou d'autres réactions, même s'ils sont vides.
- L'équipement de soudage / coupage chauffe. Par conséquent, ne le placez pas sur des surfaces qui peuvent facilement être brûlées ou endommagées !

- Les étincelles générées lors du soudage peuvent provoquer un incendie. Par conséquent, gardez un extincteur, de l'eau, du sable et autres matériaux à portée de la main.
- Utilisez des clapets anti-retour, régulateurs de gaz et vannes sur les circuits de gaz inflammables, explosifs et pressurisés. Assurez-vous de leurs vérifications périodiques soient effectuées et qu'elles fonctionnent correctement.

La maintenance des machines et appareils par des personnes non autorisées peut causer des blessures



- Les équipements électriques ne doivent pas être réparés par des personnes non autorisées. Les erreurs éventuelles peuvent entraîner des blessures graves, voire mortelles, lors de l'utilisation.
- Les éléments du circuit de gaz fonctionnent sous pression; l'intervention de personnes non autorisées peut causer des explosions et des blessures graves pour les utilisateurs.
- Il est recommandé d'effectuer la maintenance technique de la machine et de ses unités auxiliaires au moins une fois par an.

Soudage / Coupage dans des endroits confinés



- Effectuez les opérations de soudage / coupage et de découpage dans des espaces confinés et de petits volumes et en compagnie d'une autre personne.
- Évitez autant que possible le soudage / coupage et le découpage dans des endroits fermés.

Le fait de ne pas prendre les précautions nécessaires lors du transport peut causer des accidents



- Prenez toutes les précautions nécessaires pour le transport de la machine. Les zones à transporter; les équipements à utiliser pour le transport et les conditions physiques et la santé de la personne chargée de la manutention doivent être conformes au processus de transport.
- Certaines machines étant extrêmement lourdes, il est important de veiller à ce que les précautions nécessaires en matière de sécurité environnementale soient prises pour la manutention.
- Si la machine de soudage doit être utilisée sur une plateforme, la capacité de charge de la plateforme doit être vérifiée.
- En cas d'utilisation d'un véhicule (chariot, chariot élévateur à fourche, etc.) lors du transport de la machine, assurez-vous que le véhicule et les accessoires d'élingage et d'arrimage (élingues, sangles d'arrimage, boulons, écrous, roues, etc.) reliant la machine au véhicule sont intacts.
- S'il s'agit d'un transport manuel, assurez-vous que les accessoires d'élingage et d'arrimage (élingues, sangles d'arrimage, etc.) et leurs connexions soient bien fixées.
- Afin de garantir les conditions de transport nécessaires, consultez les règles de l'Organisation Internationale du Travail sur le poids du transport et les réglementations en vigueur dans votre pays.
- Utilisez toujours des poignées ou des anneaux pour le déplacement du bloc d'alimentation. Ne tirez jamais sur les torches, les câbles ou les tuyaux. Transportez toujours les bouteilles de gaz séparément.
- Avant de transporter le matériel de soudage / coupage et de découpe, débranchez toutes les connexions intermédiaires, puis soulevez et transportez les petites pièces séparément en les tenant par leurs poignées, et les grandes à l'aide d'un équipement de manutention approprié tel que des anneaux de transport ou des chariots élévateurs.

La chute de pièces peut causer des blessures



Ne pas positionner correctement l'alimentation électrique ou tout autre équipement peut causer des blessures graves et des dommages matériels.

- Installer votre machine sur des sols et des plateformes avec une inclinaison maximale de 10° pour éviter les chutes et les renversements. Préférez les zones immobiles, mais vastes, facilement ventilées et sans poussière, qui ne génèrent pas le flux de matériaux. Disposez les câbles et tuyaux de telle manière que personne ne puisse les piétiner ou trébucher dessus. Pour éviter que les bouteilles de gaz ne se renversent, fixez-les sur la plate-forme pour les machines équipées d'une plate-forme à gaz adaptée à la bouteille et sur le mur à l'aide d'une chaîne pour les installations fixes afin d'éviter tout basculement.
- Les opérateurs doivent facilement et rapidement accéder aux paramètres de commande et connexions de la machine.

Une utilisation excessive provoque la surchauffe de la machine"



- Laissez la machine refroidir en fonction des cycles de fonctionnement.
- Réduisez le courant ou le taux de cycle de fonctionnement avant de recommencer le soudage.
- Ne bloquez pas les entrées de ventilation de la machine.
- Ne placez pas de filtre sur les entrées de ventilation de la machine sans l'approbation du fabricant.

Le soudage à l'arc peut causer des interférences électromagnétiques



Cet appareil n'est pas conforme à la norme CEI 61000-312. Si vous souhaitez vous connecter au réseau basse tension utilisé dans les maisons, l'installateur ou la personne qui utilisera la machine doit être familiarisé avec la connexion de la machine, dans ce cas la responsabilité appartient à l'opérateur.

- Assurez-vous que la zone d'exploitation soit conforme à la compatibilité électromagnétique (CEM). Les interférences électromagnétiques qui peuvent se produire lors du soudage / coupage ou du découpage peuvent causer des effets indésirables sur vos appareils électroniques et votre secteur. Les effets qui peuvent se produire au cours du processus sont sous la responsabilité de l'opérateur.
- Si des interférences se produisent, des mesures supplémentaires peuvent être prises pour assurer la conformité, telles que l'utilisation de câbles courts, l'utilisation de câbles blindés, le transport de la machine à souder vers un autre endroit, l'enlèvement des câbles du dispositif et/ou de la zone affectée, l'utilisation de filtres, ou la protection CEM de la zone de travail.
- Effectuez les opérations de soudage / coupage le plus loin possible (100 m) de vos appareils électroniques sensibles pour prévenir les dommages CEM potentiels.
- Assurez-vous que votre machine de soudage et de découpe est installée et placée conformément aux consignes d'utilisation.

Évaluation de la compatibilité électromagnétique du champ de fonctionnement



Conformément à l'article 5.2 de CEI 60974-9 ;

Avant d'installer la machine de soudage / coupage et de découpe, le responsable du site et / ou l'opérateur doit vérifier les interférences électromagnétiques éventuelles dans l'environnement. Les conditions suivantes sont à considérer ;

- Autres câbles d'alimentation, câbles de commande, câbles de signalisation et câbles téléphoniques au-dessus, au-dessous et à côté de la machine et du matériel de soudage / coupage,
- Émetteurs et récepteurs de radio et de télévision,
- Matériel informatique et autre matériel de contrôle,
- Équipements de sécurité critiques, par exemple protection de l'équipement industriel,
- Appareils médicaux des personnes à proximité, tels que stimulateurs cardiaques et appareils auditifs,
- Équipement utilisé pour la mesure ou l'étalonnage,
- Immunité des autres équipements dans l'environnement. L'opérateur doit s'assurer que tout autre matériel utilisé dans l'environnement soit compatible. Cela peut nécessiter des mesures de protection supplémentaires,
- Les limites de la zone d'inspection peuvent se varier en fonction du temps pendant lequel le procédé de soudage / coupage ou d'autres activités seront effectués pendant la journée, de la taille de l'environnement, de la structure du bâtiment et d'autres activités.

En plus de l'évaluation des conditions de la zone, l'évaluation de l'installation des appareils peut également être nécessaire pour résoudre l'effet perturbateur. Si nécessaire, des mesures sur site peuvent également être prises pour confirmer l'efficacité des mesures d'atténuation.

(Source: CEI 60974-9)

Moyens pour réduire les interférences



- La machine doit être branchée à un réseau électrique tel que recommandé et par une personne autorisée. En cas d'interférence, des mesures supplémentaires telles que le filtrage du réseau peuvent être mises en place. L'alimentation d'équipement de soudage à l'arc fixe doit être effectuée à partir du tube métallique ou un câble blindé équivalent. Une connexion et un bon contact électrique doivent être assurés entre le blindage et le boîtier de l'alimentation.
- L'entretien de routine recommandé pour la machine doit être effectué. Lors de l'utilisation de la machine, tous les capots de protection doivent être fermés et / ou consignés. Aucun changement ni modification autre que les réglages standards ne doivent être effectués sur la machine sans l'approbation écrite du fabricant. Sinon, l'opérateur sera responsable de toutes les conséquences.
- Les câbles de soudage / coupage doivent être aussi courts que possible. Le cheminement des câbles sur le sol de la zone de travail doit être parallèle. Les câbles de soudage ne doivent en aucun cas être enroulés autour du corps.
- Un champ magnétique se forme dans la machine lors du soudage / coupage. Cela peut amener la machine à tirer les pièces métalliques sur elle-même. Afin d'éviter ce phénomène, assurez-vous que les matériaux métalliques soient à une distance de sécurité et sécurisés. L'opérateur doit être isolé de tous ces matériaux métalliques interconnectés.

- Toutefois, dans certains pays où la connexion directe n'est pas autorisée, la connexion peut être établie à l'aide d'éléments de capacité appropriés, conformément aux réglementations locales en vigueur. Le blindage et la protection d'autres périphériques et câbles dans la zone de travail peuvent prévenir les effets perturbateurs. Le cas échéant, la connexion entre la pièce à usiner et la terre peut être réalisée sous forme de connexion directe. Toutefois, dans certains pays où la connexion directe n'est pas autorisée, la connexion peut être établie à l'aide d'éléments de capacité appropriés, conformément aux réglementations locales en vigueur.
- Le blindage et la protection d'autres périphériques et câbles dans la zone de travail peuvent prévenir des effets perturbateurs. Le blindage de toute la zone de soudage / coupage peut être évalué pour certaines applications spécifiques.

Magnétique électromagnétique (CEM)



Le courant électrique passant par n'importe quel conducteur crée des champs électriques et magnétiques régionaux (CEM). Les opérateurs doivent suivre les procédures suivantes afin de minimiser les risques engendrés par l'exposition aux CEM du circuit de soudage :

- Afin de réduire le champ magnétique, les câbles de soudage / coupage doivent être rassemblés et fixés autant que possible avec des équipements de fixation (ruban, serre-câbles, etc.).
- Le corps et la tête de l'opérateur doivent être tenus aussi loin que possible de la machine à soudage / coupage et des câbles.
- Les câbles électriques et de soudage / coupage ne doivent jamais être enroulés autour du corps du poste à souder.
- Le corps ne doit pas rester entre les fils de soudage / coupage. Les câbles de soudage doivent être tenus à l'écart du qq corps, côte à côte.
- Le câble de retour doit être connecté à la pièce à usiner aussi près que possible de la zone soudage / coupage.
- Ne vous appuyez pas sur le groupe électrogène de soudage, ne vous asseyez pas dessus et ne travaillez pas trop près.
- Le soudage / coupage ne doit pas être effectué pendant le transport de l'unité d'alimentation en fil de soudage / coupage ou du bloc d'alimentation en courant de soudage.

Les CEM peuvent également perturber le fonctionnement des implants médicaux (substance placée à l'intérieur du corps), tels que les stimulateurs cardiaques. Des mesures de protection doivent être prises pour les personnes portant des implants médicaux. Par exemple, l'accès dans la zone du travail pourraient être restreint pour les passants, ou des évaluations individuelles des risques pourraient être effectuées pour les soudeurs. Une évaluation des risques doit être effectuée par un spécialiste médical pour les utilisateurs d'implants médicaux.



- N'exposez pas la machine à la pluie, empêchez les éclaboussures d'eau ou de la vapeur pressurisée d'y pénétrer.

Efficacité Énergétique



- Choisissez la méthode et la machine de soudage / coupage appropriées pour votre soudage.
- Sélectionnez le courant et/ou la tension de soudage / coupage en fonction du matériau et de l'épaisseur auxquels vous soudez.
- Si vous devez attendre longtemps pour le soudage / coupage, éteignez la machine une fois que le ventilateur l'a refroidie. Nos machines (produits) munies d'un système de ventilateur intelligent s'arrêteront automatiquement.

Procédure relative aux déchets



- Cet appareil n'est pas un déchet ménager. Elle doit être déposée dans un centre de recyclage agréé dans le cadre de la directive de l'Union Européenne et du droit national.
- Renseignez-vous auprès de votre revendeur et des personnes autorisées sur la gestion des déchets de votre machine usagée.

FORMULAIRE DE GARANTIE



Pour le formulaire de garantie, visitez notre site web www.magmaweld.fr/formulaire-de-garantie/wr.

SPÉCIFICATIONS TECHNIQUES

1.1 Explications Générales

Les RS 350 M, RS 400 M, RS 500 M, RS 350 MW, RS 400 MW et RS 500 MW sont des machines industrielles MIG/MAG à tension constante et contrôlées par paliers triphasés pour souder tous les types de fils pleins et fourrés dans tout type de fabrication et montage. Les plages de réglage de la tension de soudage sont, pour le modèle 350 21 étapes entre 20-51 V, pour les modèles 400 28 étapes entre 16-34 V, pour les modèles 500 30 étapes entre 16-39 V. Le dévidoir est un système robuste à 4 roues motrices qui est conçu comme un boîtier séparé de la source d'alimentation afin de couvrir de plus grandes zones de travail. Il contient un ensemble moteur-boîte de dévidage, une carte de commande électronique et une vanne de gaz, par conséquent, cette unité doit être manipulée avec précaution sur site. Les roues sous la boîte permettent au soudeur de déplacer facilement la boîte pendant qu'il soude, mais la boîte ne doit pas être tirée à travers la zone de travail par la torche. Même si vous pouvez fabriquer avec ces machines dans une large gamme d'échelles de courant toute la journée, le modèle 350 est optimisé pour 1,0 mm, 400 pour 1,2 mm, 500 pour des applications lourdes de 1,2 à 1,6 mm.

1.2 Composants

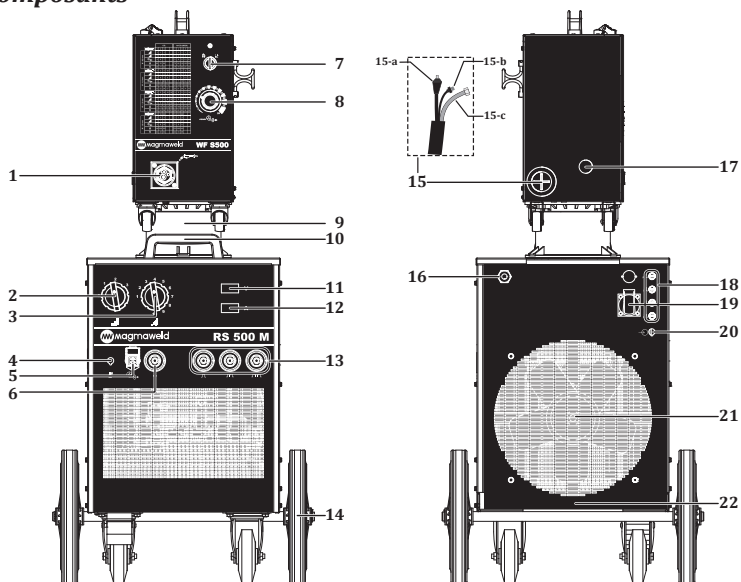


Figure 1 : RS 500 M Vue avant et arrière

- | | |
|----------------------------------------------------|---------------------------------------------------|
| 1- Connecteur de torche | 14- Roue |
| 2- Interrupteur marche / arrêt et réglage grossier | 15- Harnais de dévidoir |
| 3- Interrupteur de réglage fin | 15-a Prise de courant de soudage |
| 4- Sortie de gaz | 15-b Câble de commande du dévidoir |
| 5- Connecteur d'unité d'alimentation en fil | 15-c Tuyau de gaz |
| 6- Prise de courant de soudage | 16- Câble secteur |
| 7- Commutateur de mode de déclenchement | 17- Entrée du fil d'alimentation du tambour |
| 8- Bouton de réglage de la vitesse des fils | 18- Groupe d'assurance |
| 9- Table tournante | 19- Prise de chauffage au CO ₂ |
| 10- Poignée | 20- Entrée de gaz |
| 11- Voltmètre | 21- Sortie du ventilateur |
| 12- Ampèremètre | 22- Plate-forme de transport de bouteilles de gaz |
| 13- Prise de câble de pièce (-) | |

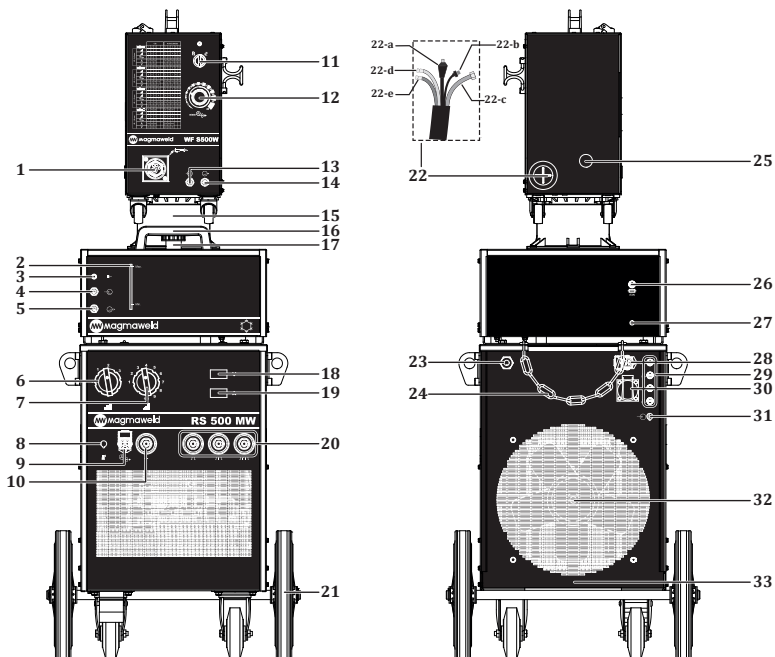


Figure 2 : RS 500 MW Vue avant et arrière

- | | |
|--------------------------------------------------------|--------------------------------------------------------------|
| 1- Connecteur de torche | 20- Prise de câble de pièce (-) |
| 2- Indicateur de niveau d'eau | 21- Roue |
| 3- Voyant d'alimentation du système de refroidissement | 22- Harnais de dévidoir |
| 4- Entrée d'eau chaude | 22-a Prise de courant de soudage |
| 5- Sortie d'eau froide | 22-b Câble de commande du dévidoir |
| 6- Interrupteur marche/arrêt et réglage grossier | 22-c Tuyau de gaz |
| 7- Interrupteur de réglage fin | 22-d Tuyau d'eau froide Bleu |
| 8- Sortie de gaz | 22-e Tuyau d'eau chaude Rouge |
| 9- Connecteur d'unité d'alimentation en fil | 23- Câble secteur |
| 10- Prise de courant de soudage | 24- Chaîne de fixation de bouteille de gaz |
| 11- Commutateur de mode de déclenchement | 25- Entrée de fil d'alimentation de tambour |
| 12- Bouton de réglage de la vitesse du fil | 26- Assurance groupe refroidisseur d'eau |
| 13- Entrée d'eau chaude | 27- Câble de contrôle de l'unité de refroidissement par eau |
| 14- Sortie d'eau froide | 28- Prise de connexion de l'unité de refroidissement par eau |
| 15- Table tournante | 29- Groupe d'assurance |
| 16- Poignée | 30- Prise de chauffage au CO ₂ |
| 17- Couvercle du réservoir d'eau | 31- Entrée de gaz |
| 18- Voltmètre | 32- Sortie du ventilateur |
| 19- Ampèremètre | 33- Plateforme de transport des bouteilles de gaz |

1.3 Étiquette du Produit

MAGMA MEKATRONIK MAKINE SAN. VE TIC. A.Ş. Organize Sanayi Bölgesi 5.Kısım Manisa-TÜRKİYE		MAGMA MEKATRONIK MAKINE SAN. VE TIC. A.Ş. Organize Sanayi Bölgesi 5.Kısım Manisa-TÜRKİYE		MAGMA MEKATRONIK MAKINE SAN. VE TIC. A.Ş. Organize Sanayi Bölgesi 5.Kısım Manisa-TÜRKİYE																																																													
RS 350 M / RS 350MW		RS 400 M / RS 400 MW		RS 500 M / RS 500 MW																																																													
Seri No :		Seri No :		Seri No :																																																													
60A / 17V - 350A / 31.5V		45A / 16.2V - 400A / 34V		45A / 16.2V - 500A / 39V																																																													
<table border="1"> <tr><td>X</td><td>40%</td><td>60%</td><td>100%</td></tr> <tr><td>I₂</td><td>350A</td><td>286A</td><td>221A</td></tr> <tr><td>U₂</td><td>31.5V</td><td>28.3V</td><td>25.1V</td></tr> <tr><td>I₁</td><td>25.1A</td><td>18A</td><td>11.8A</td></tr> <tr><td>S₁</td><td>17.3kVA</td><td>12.4kVA</td><td>8.1kVA</td></tr> </table>		X	40%	60%	100%	I ₂	350A	286A	221A	U ₂	31.5V	28.3V	25.1V	I ₁	25.1A	18A	11.8A	S ₁	17.3kVA	12.4kVA	8.1kVA	<table border="1"> <tr><td>X</td><td>50%</td><td>60%</td><td>100%</td></tr> <tr><td>I₂</td><td>400A</td><td>365A</td><td>283A</td></tr> <tr><td>U₂</td><td>34V</td><td>32.3V</td><td>28.1V</td></tr> <tr><td>I₁</td><td>28.1A</td><td>23.6A</td><td>15.3A</td></tr> <tr><td>S₁</td><td>19.4kVA</td><td>16.3kVA</td><td>10.6kVA</td></tr> </table>		X	50%	60%	100%	I ₂	400A	365A	283A	U ₂	34V	32.3V	28.1V	I ₁	28.1A	23.6A	15.3A	S ₁	19.4kVA	16.3kVA	10.6kVA	<table border="1"> <tr><td>X</td><td>40%</td><td>60%</td><td>100%</td></tr> <tr><td>I₂</td><td>500A</td><td>408A</td><td>316A</td></tr> <tr><td>U₂</td><td>39V</td><td>34.4V</td><td>29.8V</td></tr> <tr><td>I₁</td><td>41A</td><td>29A</td><td>19.1A</td></tr> <tr><td>S₁</td><td>28.3kVA</td><td>20kVA</td><td>13.2kVA</td></tr> </table>		X	40%	60%	100%	I ₂	500A	408A	316A	U ₂	39V	34.4V	29.8V	I ₁	41A	29A	19.1A	S ₁	28.3kVA	20kVA	13.2kVA
X	40%	60%	100%																																																														
I ₂	350A	286A	221A																																																														
U ₂	31.5V	28.3V	25.1V																																																														
I ₁	25.1A	18A	11.8A																																																														
S ₁	17.3kVA	12.4kVA	8.1kVA																																																														
X	50%	60%	100%																																																														
I ₂	400A	365A	283A																																																														
U ₂	34V	32.3V	28.1V																																																														
I ₁	28.1A	23.6A	15.3A																																																														
S ₁	19.4kVA	16.3kVA	10.6kVA																																																														
X	40%	60%	100%																																																														
I ₂	500A	408A	316A																																																														
U ₂	39V	34.4V	29.8V																																																														
I ₁	41A	29A	19.1A																																																														
S ₁	28.3kVA	20kVA	13.2kVA																																																														
<table border="1"> <tr><td>U₀ V</td><td></td><td></td><td></td></tr> <tr><td>19.7 - 51</td><td></td><td></td><td></td></tr> </table>		U ₀ V				19.7 - 51				<table border="1"> <tr><td>U₀ V</td><td></td><td></td><td></td></tr> <tr><td>20 - 48</td><td></td><td></td><td></td></tr> </table>		U ₀ V				20 - 48				<table border="1"> <tr><td>U₀ V</td><td></td><td></td><td></td></tr> <tr><td>19 - 53</td><td></td><td></td><td></td></tr> </table>		U ₀ V				19 - 53																																							
U ₀ V																																																																	
19.7 - 51																																																																	
U ₀ V																																																																	
20 - 48																																																																	
U ₀ V																																																																	
19 - 53																																																																	
<table border="1"> <tr><td>U₁ V</td><td>I_{max} = 25.1A</td><td>I_{in} = 15.9A</td></tr> <tr><td>400</td><td></td><td></td></tr> </table>		U ₁ V	I _{max} = 25.1A	I _{in} = 15.9A	400			<table border="1"> <tr><td>U₁ V</td><td>I_{max} = 28.1A</td><td>I_{in} = 19.9A</td></tr> <tr><td>400</td><td></td><td></td></tr> </table>		U ₁ V	I _{max} = 28.1A	I _{in} = 19.9A	400			<table border="1"> <tr><td>U₁ V</td><td>I_{max} = 41A</td><td>I_{in} = 26A</td></tr> <tr><td>400</td><td></td><td></td></tr> </table>		U ₁ V	I _{max} = 41A	I _{in} = 26A	400																																												
U ₁ V	I _{max} = 25.1A	I _{in} = 15.9A																																																															
400																																																																	
U ₁ V	I _{max} = 28.1A	I _{in} = 19.9A																																																															
400																																																																	
U ₁ V	I _{max} = 41A	I _{in} = 26A																																																															
400																																																																	
IP21		IP21		IP21																																																													

Transformateur Redresseur Triphasé

Caractéristique Horizontale

Soudage MIG / MAG

Courant Continu

Entrée Secteur -
Courant Alternatif Triphasé

Compatible Pour Travailler dans des
Environnements Dangereux

X Cycle de Fonctionnement

U₀ Tension de Fonctionnement à Vide

U₁ Tension et Fréquence du Secteur

U₂ Tension Nominale de Soudage

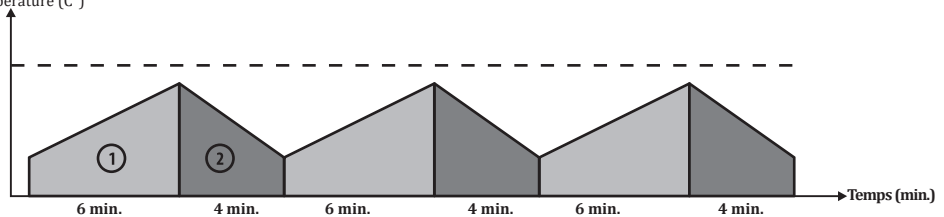
I₁ Courant d'entrée Assigné

I₂ Courant d'entrée Nominal

S₁ Tension d'entrée Assignée

IP21S Classe de Protection

Cycle de Fonctionnement
Température (C°)



Le taux de cycle de fonctionnement comprend une période de 10 minutes, telle que définie dans l'EN 60974-1. Par exemple, si vous souhaitez travailler à 250 A sur un poste spécifié à 250 A à 60%, le poste peut soudage / coupage sans arrêt (zone 1) pendant les 6 premières minutes de la période de 10 minutes. Cependant, doit rester inactive pendant les 4 minutes suivantes pour se refroidir.

1.4 Caractéristiques Techniques

SPÉCIFICATIONS TECHNIQUES	UNITÉ	RS 350 M	RS 350 MW
Tension Réseau (3 phase - 50-60 Hz)	V	400	400
Tension d'entrée Assignée	kVA	17.3 (%40)	17.3 (%40)
Zone d'ajustement de Courant de Soudage	ADC	60 - 350	60 - 350
Courant d'entrée Nominal	ADC	350	350
Tension de Fonctionnement à Vide	VDC	20 - 52	20 - 52
Pas de Commutateur	mm	3 x 7	3 x 7
Dimensions (L X L X H)	mm	1008 x 592 x 1220	1008 x 592 x 1443
Poids	kg	145.5	177
Classe de Protection		IP 21	IP 21

SPÉCIFICATIONS TECHNIQUES	UNITÉ	RS 400 M	RS 400 MW
Tension Réseau (3 phase - 50-60 Hz)	V	400	400
Tension d'entrée Assignée	kVA	19.4 (%50)	19.4 (%50)
Zone d'ajustement de Courant de Soudage	ADC	45 - 400	45 - 400
Courant d'entrée Nominal	ADC	400	400
Tension de Fonctionnement à Vide	VDC	20 - 48	20 - 48
Pas de Commutateur	mm	4 x 7	4 x 7
Dimensions (L X L X H)	mm	1020 x 590 x 1290	1020 x 590 x 1515
Poids	kg	134	155
Classe de Protection		IP 21	IP 21

SPÉCIFICATIONS TECHNIQUES	UNITÉ	RS 500 M	RS 500 MW
Tension Réseau (3 phase - 50-60 Hz)	V	400	400
Tension d'entrée Assignée	kVA	28.3 (%40)	28.3 (%40)
Zone d'ajustement de Courant de Soudage	ADC	45 - 500	45 - 500
Courant d'entrée Nominal	ADC	500	500
Tension de Fonctionnement à Vide	VDC	19 - 53	19 - 53
Pas de Commutateur	mm	3 x 10	3 x 10
Dimensions (L X L X H)	mm	1020 x 590 x 1290	1020 x 590 x 1515
Poids	kg	195	215
Classe de Protection		IP 21	IP 21

1.5 Accessoires

FR

ACCESSOIRES STANDARDS	UNITÉ	RS 350 M - MW
Pince et Câble de Masse	1	7905203505
Tuyau de Gaz	1	7907000002
MIG / MAG CO ₂ Accessory Set *	1	7920000530 / 7920000550
MIG / MAG Mix / Argon Accessory Set *	1	7920000535 / 7920000555
ACCESSOIRES STANDARDS	UNITÉ	RS 400 M - MW
Pince et Câble de Masse	1	7905203505
Tuyau de Gaz	1	7907000002
MIG / MAG CO ₂ Accessory Set *	1	7920000530 / 7920000550
MIG / MAG Mix / Argon Accessory Set *	1	7920000535 / 7920000555
ACCESSOIRES STANDARDS	UNITÉ	RS 500 M - MW
Pince et Câble de Masse	1	7905407005
Tuyau de Gaz	1	7907000002
MIG / MAG CO ₂ Accessory Set *	1	7920000540 / 7920000550
MIG / MAG Mix / Argon Accessory Set *	1	7920000545 / 7920000555

* Doit être spécifié lors de la commande.

ACCESSOIRES EN OPTION	UNITÉ	RS 350 M - MW
Réchauffeur CO ₂	1	7020009002
Régulateur de Gaz (CO ₂)	1	7020001005
Régulateur de Gaz (Mix)	1	7020001004
Lava MIG 35 (3 m) Refroidi Par Air de La Flamme MIG	1	7120035003
Lava MIG 40 (3 m) Refroidi Par Air de La Flamme MIG	1	7120040003
Lava MIG 50W (3 m) Refroidi À l'Eau MIG Flamme	1	7120050003

ACCESSOIRES EN OPTION	UNITÉ	RS 400 M - MW
Réchauffeur CO ₂	1	7020009002
Régulateur de Gaz (CO ₂)	1	7020001005
Régulateur de Gaz (Mix)	1	7020001004
Lava MIG 35 (3 m) Refroidi Par Air de La Flamme MIG	1	7120035003
Lava MIG 40 (3 m) Refroidi Par Air de La Flamme MIG	1	7120040003
Lava MIG 50W (3 m) Refroidi À l'Eau MIG Flamme	1	7120050003

ACCESSOIRES EN OPTION	UNITÉ	RS 500 M - MW
Réchauffeur CO ₂	1	7020009002
Régulateur de Gaz (CO ₂)	1	7020001005
Régulateur de Gaz (Mix)	1	7020001004
Lava MIG 40 (3 m) Refroidi Par Air de La Flamme MIG	1	7120040003
Lava MIG 50W (3 m) Refroidi À l'Eau MIG Flamme	1	7120050003

INSTALLATION

2.1 Considérations Relatives à la Réception du Poste de Soudage

Assurez-vous que tous les composants que vous avez commandés soient livrés. Si un matériel quelconque est manquant ou endommagé, contactez immédiatement votre revendeur.

La boîte standard comprend les éléments suivants :

- Machine principale et câble secteur connecté
- Pince et câble de masse
- Tuyau de gaz
- Certificat de garantie
- Manuel d'utilisation
- Fil de soudage

En cas de réception de la marchandise endommagée, prenez les photos des dégâts constatés et signalez-les au transporteur avec une copie du bon de livraison. Si le problème persiste, contactez le service client.

Symboles se trouvant sur le poste de soudage et leur signification



Le procédé de soudage est dangereux. Les conditions de travail appropriées doivent être fournies et les précautions nécessaires doivent être prises. Les experts sont responsables de la machine et doivent fournir le matériel nécessaire. Les personnes non concernées doivent être tenues à l'écart de la zone de soudage.



Ce poste de soudage n'est pas conforme à la norme CEI 61000-3-12. Si vous souhaitez vous connecter au réseau basse tension utilisé dans les résidences, l'installateur ou la personne qui utilisera la machine doit être familiarisé avec la connexion de la machine, dans ce cas la responsabilité appartient à l'opérateur.



Il faut respecter les symboles de sécurité et les avertissements qui se trouvent sur le poste et dans le manuel d'utilisation et ne pas retirer les étiquettes.



Les grilles sont destinées à la ventilation. Les ouvertures ne doivent pas être recouvertes afin d'assurer un bon refroidissement et aucun corps étranger ne doit être y introduit.


2.2 Conseils d'Installation et de Fonctionnement

- Des anneaux de levage ou des chariots élévateurs doivent être utilisés pour déplacer la machine. Ne soulevez pas la machine avec la bouteille de gaz. Lorsque vous transportez manuellement des machines à souder portatives, des mesures doivent être prises conformément aux réglementations en matière de santé et de sécurité au travail. Les dispositions nécessaires doivent être prises sur le lieu de travail pour garantir que le processus de transport s'effectue dans le plus grand respect des conditions de santé et de sécurité. Des précautions doivent être prises en fonction des caractéristiques de l'environnement de travail et des exigences du travail. Placez la machine sur une surface dure, plane et lisse où elle ne risque pas de tomber ou de se renverser.
- Lorsque la température ambiante dépasse 40 °C, faites fonctionner la machine à un courant plus faible ou à un cycle de fonctionnement plus faible.
- Évitez de souder à l'extérieur lorsqu'il y a du vent et de la pluie. Si le soudage est nécessaire dans de tels cas, protégez la zone de soudage et la machine de soudage avec des rideaux et des auvents.
- Lors de l'installation de la machine, assurez-vous que des éléments tels que des murs, des rideaux, des panneaux, etc. n'empêchent pas l'accès facile aux commandes et aux connexions de la machine.
- Si vous soudez à l'intérieur, utilisez un système approprié d'absorption de fumée. Utilisez un appareil respiratoire s'il y a un risque d'inhalation de fumée et de gaz à l'intérieur.
- Respectez les taux de cycle de fonctionnement spécifiés sur l'étiquette du produit. Dépasser régulièrement le nombre de cycle approprié peut endommager la machine et annuler la garantie.
- Un câble d'alimentation adapté à la valeur de fusible spécifiée doit être utilisé.
- Connectez le fil de masse aussi près que possible de la zone de soudage. Ne laissez pas le courant de soudage traverser des éléments autres que les câbles de soudage, tels que la machine elle-même, la bouteille de gaz, la chaîne et le roulement.
- Lorsque la bouteille de gaz est placée sur la machine, fixez-la immédiatement à l'aide de la chaîne. Si vous ne placez pas la bouteille de gaz sur la machine, fixez-la au mur à l'aide de la chaîne.
- La prise électrique située à l'arrière de la machine est destinée au réchauffeur de gaz CO₂. Ne brancher jamais un appareil autre que le réchauffeur de gaz CO₂ à la prise CO₂.

2.3 Branchements Électriques



Pour votre sécurité, n'utilisez jamais le câble secteur de la machine sans fiche.

- Puisqu'il peut y avoir différentes prises en fonction de l'usine, des chantiers de construction et des ateliers, le câble d'alimentation est livré sans fiche. Une fiche adaptée à la prise doit être connectée par un électricien qualifié. Assurez-vous que le fil de la mise à la masse jaune/vert, marqué par  est présent.
- Après le raccordement de la fiche au câble, ne pas brancher le câble à la prise à ce stade.

2.4 Branchements pour le Poste à Souder


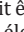
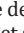
2.4.1 Connexions du Dévidoir

- Placer le dévidoir sur le plateau tournant de la machine.
- Connectez le tuyau de gaz bleu à la douille de sortie de gaz devant la source d'alimentation.
- Connectez le câble de commande à la prise de commande devant la source d'alimentation.
- Branchez la fiche de soudage dans la prise de raccordement du câble de soudage devant la source d'alimentation.



Assurez-vous que les connexions sont solidement fixées. Une fixation desserrée ou incorrecte peut provoquer une surchauffe ou une fuite de gaz.

2.4.2 Branchement de la Pince de la Mise à la Masse

- Les prises de terre avec des valeurs d'inductance différentes permettent un soudage avec un rebond inférieur sur une large plage de courant. La prise  doit être préférée pour les courants faibles et les petits diamètres, tandis que la prise  ou  doit être préférée pour les câbles de grands diamètres et courants élevés.
- Connectez le câble de la pince de mise à la masse à l'une des prises de terre de la machine et serrez-le en le tournant vers la droite.
- Pour améliorer la qualité du soudage, connectez fermement la pince de mise à la masse à la pièce à usiner 3aussi près que possible de la zone à souder.

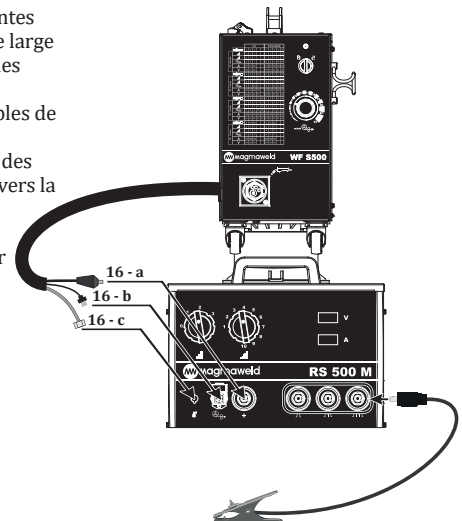


Figure 3 : Connexion des pinces de mise à la terre

2.4.3 Unité de Refroidissement Par Eau (Pour les Modèles MW)

- L'unité de refroidissement par eau est utilisée pour refroidir la torche. Il s'agit d'un système en circuit fermé composé d'un radiateur, d'un ventilateur, d'un réservoir de liquide de refroidissement de la pompe.
- Connectez le tuyau d'eau froide (bleu) à la sortie d'eau froide du système de refroidissement par eau et le tuyau d'eau chaude (rouge) à l'entrée d'eau chaude du système de refroidissement par eau.
- Les machines à souder Magmaweld sont livrées avec le liquide de refroidissement Magmaweld, qui est produit pour donner les meilleures performances. En cas de manque de liquide de refroidissement, ouvrez le bouchon du réservoir de liquide de refroidissement et ajoutez du liquide de refroidissement Magmaweld adapté à la température de l'environnement de travail. Le liquide de refroidissement doit être compris dans les valeurs minimales et maximales indiquées sur le panneau avant de l'unité.
- Un autre liquide de refroidissement ou de l'eau ne doit pas être ajouté. Différents additifs liquides peuvent provoquer des réactions chimiques ou différents problèmes.
- Magmaweld n'est pas responsable des risques pouvant survenir en cas d'ajout de liquides différents. Toutes les dispositions de la garantie seront annulées si un liquide de refroidissement ou de l'eau différent est ajouté au liquide de refroidissement Magmaweld.
- Si vous souhaitez utiliser une autre marque de liquide de refroidissement, l'intérieur du réservoir de liquide de refroidissement doit être complètement vide et il ne doit y avoir aucun résidu ou liquide à l'intérieur.
- Il n'est pas approprié d'utiliser les unités de refroidissement par eau avec des machines à souder autres que celles fabriquées par Magma Mekatronik Makine ve Sanayi Ticaret A.Ş. Les refroidisseurs à eau ne peuvent pas fonctionner avec une alimentation externe.

2.4.4 Connexion Des Paquets Longs Intermédiaires

- Le dévidoir et le paquet intermédiaire sont conçus pour être détachables pour faciliter le transport dans les machines avec des paquets intermédiaires de 10 mètres ou plus. Les deux extrémités des longs paquets intermédiaires sont les mêmes et les mêmes connexions faites à l'avant de la machine doivent être faites avec les connecteurs et les prises à l'arrière du dévidoir.
- Si le paquet intermédiaire de votre machine mesure 10 mètres ou plus, connectez le paquet intermédiaire et le dévidoir comme suit.

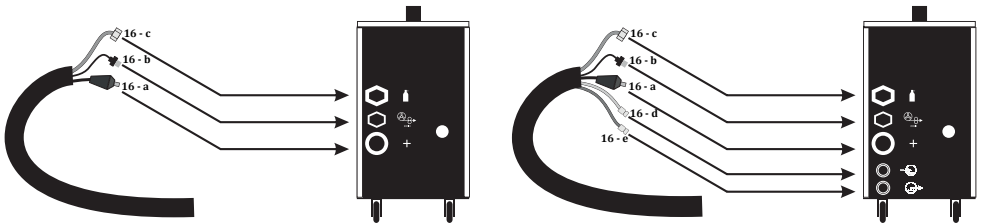
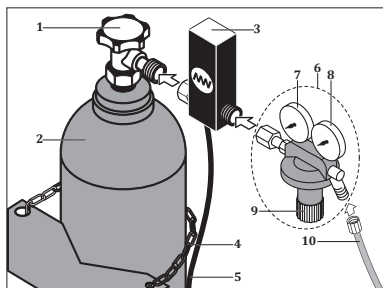


Figure 4 : Connexions du Dévidoir À Long Paquet Intermédiaire

2.4.5 Connexions de Gaz

- Si vous envisagez d'utiliser la bouteille de gaz sur la plateforme de transport de la machine, placez-la sur la plateforme et fixez-la immédiatement à l'aide de la chaîne.
- Si vous ne placez pas la bouteille de gaz sur la machine, fixez-la au mur à l'aide de la chaîne.
- Utilisez des régulateurs et des réchauffeurs conformes aux normes pour travailler en toute sécurité et obtenir des résultats optimaux.
- Assurez-vous que le raccord du tuyau du régulateur de gaz à utiliser mesure 3/8.
- Ouvrez la valve de la bouteille de gaz en gardant la tête et le visage à l'écart de la sortie de la valve de la bouteille et laissez-la ouverte pendant 5 secondes. De cette façon, les éventuels sédiments et saletés seront évacués.
- Si vous utilisez un réchauffeur de gaz CO₂, connectez-le d'abord à la bouteille de gaz. Une fois le régulateur de gaz connecté au réchauffeur de gaz CO₂, branchez la fiche du réchauffeur de gaz CO₂ à la prise destinée au réchauffeur de gaz CO₂ se trouvant à l'arrière de la machine.
- Si vous utilisez un réchauffeur de gaz CO₂, branchez le régulateur de gaz à la bouteille de gaz.
- Connectez une extrémité du tuyau flexible au régulateur de gaz et serrez le collier. Connectez l'autre extrémité à l'entrée de gaz à l'arrière de la machine et serrez l'écrou.
- Ouvrez la vanne de la bouteille de gaz et vérifiez que la bouteille est pleine et qu'il n'y a pas de fuite dans le circuit de gaz. Si vous percevez des signes de fuite, tels que bruit et / ou odeur de gaz, vérifiez les connexions et remédiez au problème.



- 1- Vanne de la Bouteille de Gaz
- 2- Bouteille de Gaz
- 3- Réchauffeur de Gaz CO₂
- 4- Chaîne
- 5- Câble d'Énergie du Réchauffeur de CO₂
- 6- Régulateur de gaz
- 7- Manomètre
- 8- Débitmètre
- 9- Vanne de Régulation de Débit
- 10- Tuyau de gaz

Figure 5 : Raccordements de la Bouteille / du Réchauffeur / du Régulateur de Gaz

UTILISATION

3.1 Branchement Au Réseau



Lors de l'insertion de la fiche, assurez-vous que l'interrupteur d'alimentation de la machine est en position "0".

- Avant de connecter la machine au secteur, vérifiez le triphasé avec un voltmètre. Insérez la fiche dans la prise après avoir constaté que la tension entre chaque phase correspond à 400V ($\pm 40V$).
- Allumez la poste à souder en utilisant l'interrupteur Marche / Arrêt.
- Éteignez la machine en ramenant le commutateur sur la position "0" après avoir entendu le bruit du ventilateur et vu les voyants du voltmètre et de l'ampèremètre allumés.

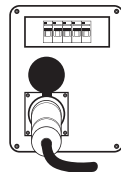


Figure 6 : Connexion Au Réseau

3.2 Préparation et Branchement de la Torche

- Utilisez une torche adaptée à la capacité de votre machine et au processus de soudage à exécuter.
- Assurez-vous que les diamètres de la spirale et du tube contact à l'intérieur de la torche sont identiques au diamètre du fil de soudage que vous utiliserez. Remplacer la spirale et le tube contact si nécessaire.
- Pour remplacer la spirale, retirez la buse, le tube contact et l'adaptateur, respectivement.

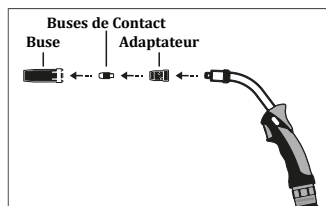


Figure 7 : Séparation des Buses et des Buses de Contact de la Torche

- Ensuite, dévissez l'écrou en spirale du côté du connecteur de la torche à l'aide d'une clé, allongez la torche et retirez la spirale à l'intérieur de la torche.
- Après avoir inséré la nouvelle spirale dans la torche, installez et serrez l'écrou de la spirale.

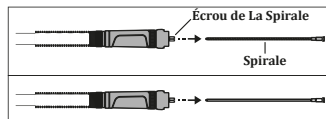


Figure 8 : Retrait et Installation de la Spirale

- Coupez l'excédent de spirale dépassant la tête de la torche à l'aide d'un burin plat pour coupe latérale, juste à l'extrémité du distributeur de gaz (porte-buse de contact), comme indiqué sur la figure, afin qu'il n'y ait pas d'espace entre la spirale et le tube contact. Éliminez les bavures au niveau de la coupe à l'aide d'une lime.

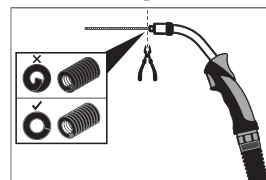


Figure 9 : Couper l'extension de la Spirale

- Connectez la torche au connecteur de torche et serrez fermement l'écrou (T1).
- Si votre machine est équipée d'un système de refroidissement par eau et d'une torche refroidie par eau brancher le connecteur d'eau froide de la torche (bleu - T2) à la sortie d'eau froide du dévidoir, et le connecteur d'eau chaude de la torche (rouge - T3) à l'entrée d'eau chaude du dévidoir.

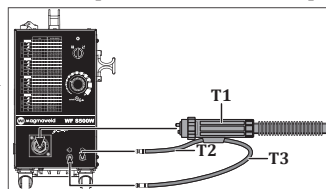
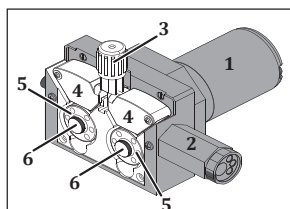


Figure 10 : Connexion de la Torche

3.3 Choix et Remplacement des Galets du Dévidoir

- Ouvrez le capot du dévidoir. Vous verrez le système de dévidage à 4 rouleaux.



- 1- Moteur
- 2- Connecteur Euro
- 3- Levier du Galet Presseur
- 4- Galets Presseurs
- 5- Galet de Dévidage
- 6- Vis des Galets de Dévidage

Figure 11 : Système de Dévidoir

- Utilisez des rouleaux de dévidage adaptés au matériau et au diamètre du fil de soudure que vous allez utiliser. Utilisez les galets à nervures en V pour du fil en acier et acier inoxydable, les galets dentelées à nervures en V pour du fil fourré et les galets à nervures en U pour du fil en aluminium.
- Lorsque vous devez remplacer les galets de dévidage, tirez le levier du galet presseur vers vous pour ensuite soulever les galets presseurs, dévissez les vis et retirez les galets.

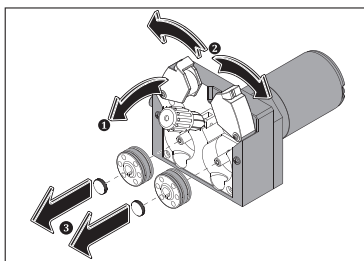
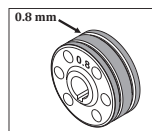


Figure 12 : Retrait des Galets de Dévidage



Les deux côtés des galets sont marqués en fonction du diamètre du fil utilisé. Placez les galets sur la bride de sorte que la valeur du diamètre du fil que vous utiliserez soit du côté qui vous fait face.

- Une fois les galets que vous utiliserez installés, remplacez les vis, vissez les galets presseurs et verrouillez-les en soulevant le levier.

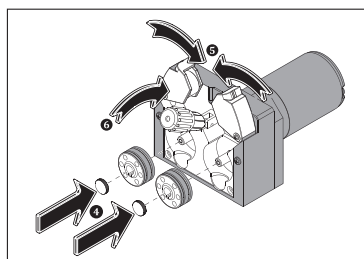


Figure 13 : Installation des Galets de Dévidage

3.4 Installation de la Bobine de Fil et Dévidage

- Dévissez et retirez la vis du système de support de fil. Insérez la bobine de fil à souder sur l'arbre du système de transport de fil de manière à ce que le fil soit parallèle au sol et que l'alimentation en fil s'effectue toujours par le bas puis resserrez la vis.

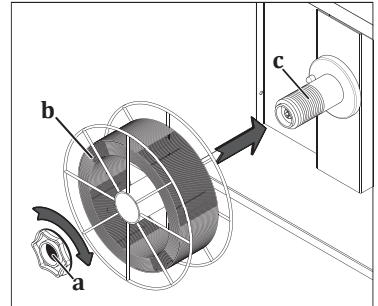
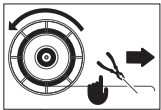


Figure 14 : Installation de la Bobine de Fil



Un serrage excessif de l'écrou empêchera le fil de passer et pourrait causer des dysfonctionnements. Un serrage insuffisant de l'écrou peut amener le galet à se vider et à s'emmêler après un certain temps lorsque le fil est arrêté. Par conséquent, le serrage de l'écrou ne doit être ni trop fort, ni trop lâche.



- Tirez et abaissez le levier de pression sur les galets, c'est-à-dire relâchez les.
- Retirez le fil de soudage de son emplacement sur la bobine et coupez-le avec un burin sans lâcher son extrémité.



Si l'extrémité du fil s'échappe, le fil peut être projeté comme un ressort et provoquer des blessures.

- Faites passer le fil à travers le guide d'entrée de fil sans le relâcher sur les bobines et par-dessus les bobines dans la torche.

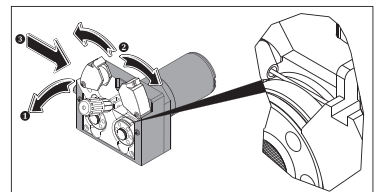
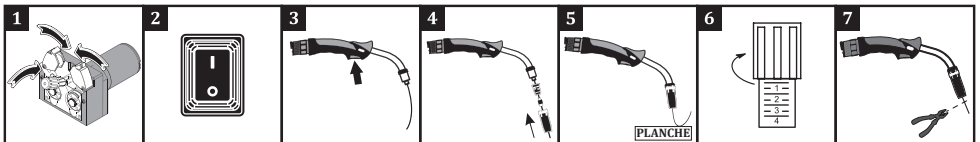


Figure 15 : Dévidage du Fil Vers les Galets



- Appuyez sur les galets presseurs et soulevez le levier de pression **1**.
- Démarrez la machine en tournant l'interrupteur marche / arrêt sur la position "1" **2**.
- Appuyez sur la gâchette jusqu'à ce que le fil sorte du bout de la torche tout en observant que la bobine de fil à souder tourne librement, appuyez sur la gâchette et relâchez-la plusieurs fois pour vérifier que le bobinage ne se desserre pas **3**. Si vous observez un desserrage et / ou un rembobinage, serrez un peu plus la vis du système de transport de fil.
- Lorsque le fil sort de la pointe de la torche, attachez à nouveau la buse et le tube contact à la torche **4**.
- Effectuez un réglage de pression de fil approprié **5** en frottant le fil sur une planche en bois **6** et coupez l'extrémité du fil **7**.

- A** : Pression de fil et dimensions de conduit appropriées
B : Le levier de pression étant trop serré, le fil est déformé.
C : Le levier de pression étant trop serré, la surface de la poulie est déformée.
D : La longueur de canal de la bobine est petite pour le fil utilisé. Des distorsions de fil se produisent.
E : La longueur de canal de la bobine est grande pour le fil utilisé. Le fil ne peut pas être dévidé vers la zone de soudage.

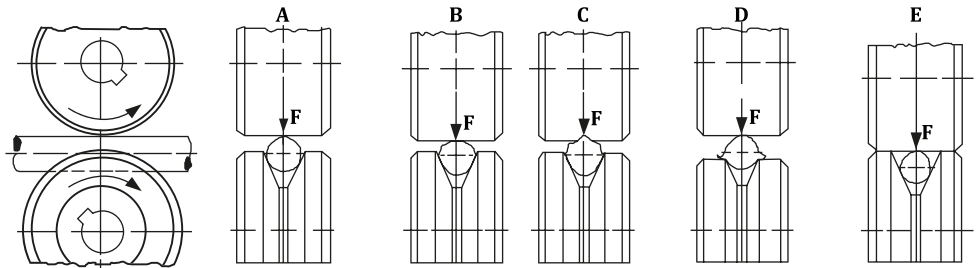


Figure 16 : Pression de réglage et la bobine de sélection erreurs

3.5 Ajustement du Débit de Gaz



Effectuez le réglage du gaz et le test du gaz en levant le levier de pression de la poulie de dévidage !

- Réglez le débit de gaz avec la vanne de régulation de débit.
- Le débit de gaz (CO₂, mixe) utilisé est 10 fois le diamètre du fil. Par exemple, si le diamètre du fil est de 0,9 mm, le débit de gaz peut être réglé à $10 \times 0,9 = 9 \text{ l/min}$
- Vous pouvez vous référer au tableau ci-dessous pour un réglage plus précis du débit.
- Après avoir réglé le débit de gaz, relevez le levier de galet presseur et fermez le capot du dévidoir.

	Fil Fourré En Acier Et Métal Non Allié	Fil Fourré	Acier Inoxydable	Aluminium
Diamètre du fil (mm)	0.8	0.9	1.0	1.2
	8 lt/min.	9 lt/min.	10 lt/min.	12 lt/min.
	7 lt/min.	8 lt/min.	9 lt/min.	11 lt/min.
	10 lt/min.	9 lt/min.	10 lt/min.	12 lt/min.
	12 lt/min.	11 lt/min.	12 lt/min.	16 lt/min.
	16 lt/min.	15 lt/min.	16 lt/min.	16 lt/min.

Remarque: Valeurs recommandées dans des conditions standard.

3.6 Utilisation des Modes de Gâchette

- Le commutateur de mode de gâchette permet de sélectionner la position 2, la position 4 ou le soudage par points.
- La position 2 fonctionne comme indiqué à la figure 17.
- La position 4 fonctionne comme indiqué à la figure 18. La position 4 offre au soudeur une facilité d'utilisation pour un soudage automatique et pour une durée prolongée.
- Lors du mode de soudage par points; le soudage commence lorsque la gâchette est enfoncée et se poursuit tant qu'elle est maintenue. Le soudage s'effectue pendant la durée "on time" prédéfinie et attend la période "off time" prédéfinie.

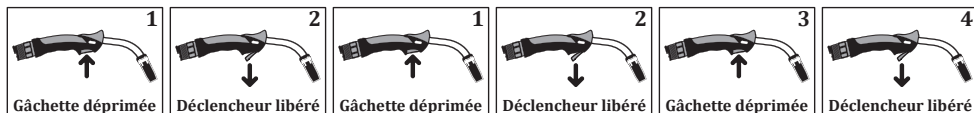


Figure 17 : Utilisation de la Position 2

- 1-) Le gaz est délivré immédiatement. Le courant est délivré immédiatement. Le dévidage commence après le pré-gaz.
- 2-) Le dévidage s'arrête immédiatement. Le courant s'arrête après le retour de flamme. Le gaz s'arrête après le gaz final.

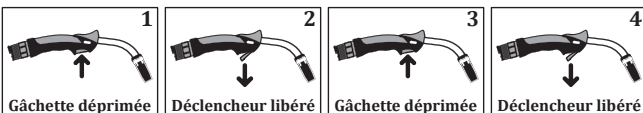
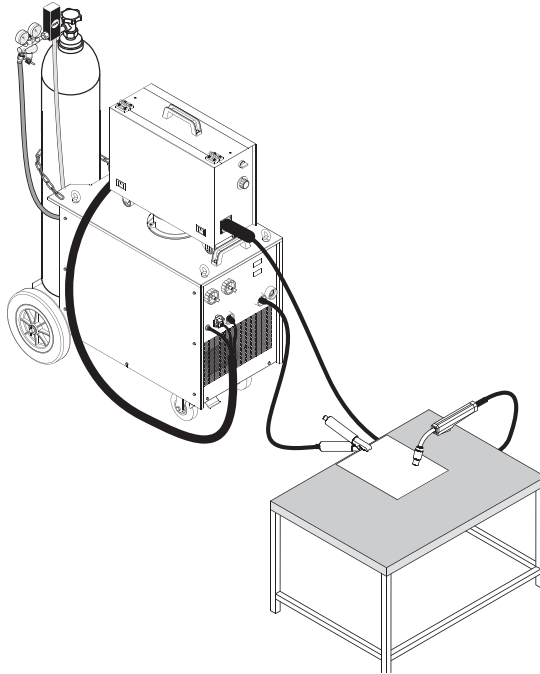


Figure 18 : Utilisation de la Position 4

- 1-) Le gaz est délivré immédiatement. Le courant est délivré immédiatement. Le dévidage commence après le pré-gaz.
- 2-) Le gaz continue. Le courant continue. Le dévidage continue.
- 3-) Le gaz continue. Le courant continue. Le dévidage continue.
- 4-) Le dévidage s'arrête immédiatement. Le courant s'arrête après le retour de flamme. Le gaz s'arrête après le gaz final.

3.7 Début et Fin du Soudage



FR

- En fonction du diamètre du fil, du type de gaz que vous utiliserez et de l'épaisseur du matériau à souder, définissez les "Étape de réglage grossier", "Étape de réglage précis" et "Vitesse de dévidage du fil" dans le tableau des paramètres de soudage de votre machine et configurez la machine selon ces paramètres.

∅ Diamètre du Fil

 Épaisseur du Matériau

 Étape de Réglage Grossier

 Étape de Réglage Précis

 Vitesse de Dévidage

A Courant

V Tension

- Vous pouvez commencer à souder après vous être assuré de respecter toutes les règles de sécurité et de prendre les précautions nécessaires.
- Pendant le soudage, la tension de soudage instantanée sera affichée sur le voltmètre et le courant de soudage instantané sera affiché sur l'ampèremètre.



Lorsque vous n'effectuez pas de soudage, laissez la torche de sorte à ne pas toucher la pièce à travailler, la pince à souder, le capot de la machine et la gâchette ne restent pas enfoncés et de sorte que sa gâchette ne reste pas enfoncée.

- Une fois que vous avez fini de travailler avec la poste à souder, attendez que la machine refroidisse et tournez le commutateur marche / arrêt sur la position "0". Débranchez la machine et fermez la bouteille de gaz.

3.8 Paramètres de Soudage

- Les paramètres de soudage ont été définis par soudage horizontal avec fil solide dans des conditions de laboratoire. Les valeurs peuvent varier en fonction de l'application et des conditions ambiantes.

RS 350 M /MW

	CO ₂					Ar/CO ₂ (80/20)				
	1	2	3	5		1	2	3	5	5
Ø : 0,8 mm		1	2	3		1	2	3	5	5
		4	1	5	1	3	2	4	7	2
		5	7	12	16	5	9	11	16	16
	A	65	90	130	160	68	121	130	160	180
	V	18	20	24	27	17.3	20.5	22	25.5	28.3
Ø : 1,0 mm		2	3	5	10	2	3	5	5	10
		2	2	3	3	2	2	2	3	3
		3	7	2	4	3	6	7	1	2
	A	6.5	11	15	15	9	12	13	14	17
	V	100	150	195	200	135	170	180	200	230
Ø : 1,2 mm		2	2	3	3	3	2	2	2	3
		3	7	2	3	4	1	4	7	2
		7	9.5	12	13	14.2	7	8.5	10	12
	A	160	200	240	240	260	160	200	210	260
	V	22	26	29	30.5	32	19.5	22	26	29

RS 400 M /MW

	CO ₂					Ar/CO ₂ (80/20)				
	1	2	3			1	2	3	5	5
Ø : 0,8 mm		1	1	2		1	1	2	3	3
		5	7	3		3	7	1	6	7
		5	6	9		6.5	9	10.5	13	20
	A	60	80	100		90	100	110	140	190
	V	20	21	22.5		18.5	20	20.5	24	30.5
Ø : 1,0 mm		2	3	5	10	2	3	5	5	10
		2	2	3	3	1	2	3	4	4
		2	5	1	6	7	3	1	1	5
	A	4.5	6	9	12	6	7	11	15	20
	V	100	110	150	200	110	140	170	230	290
Ø : 1,2 mm		2	2	3	3	3	5	5	10	14
		2	3	3	3	4	2	3	4	4
		3	1	5	7	1	2	1	1	6
	A	4	6	8	10	11	5	7	11	15
	V	120	160	220	230	250	140	200	250	350

RS 500 M /MW

	CO ₂					Ar/CO ₂ (80/20)				
	1	2	3			1	2	3	5	5
Ø : 0,8 mm		1	1	1		1	1	1	1	3
		3	5	7		1	2	4	9	1
		4	6	7		5	6	8	10	21
	A	60	70	90		70	85	100	120	200
	V	20	21	22		19	19	20	23	33
Ø : 1,0 mm		2	3	5	10	2	3	5	5	10
		1	1	2	2	1	1	2	2	3
		6	8	1	5	5	7	1	10	2
	A	5	7	8.5	11	6	7	10	14	18
	V	90	120	140	170	120	140	170	220	270
Ø : 1,2 mm		3	5	10	12	14	3	5	5	10
		1	2	2	2	1	1	2	3	3
		7	1	5	8	10	6	9	9	1
	A	4	5	9	10	12	5	7	10	11
	V	120	140	190	230	250	140	180	250	280
Ø : 1,6 mm		5	10	20		5	10	20		
		2	3	3		2	3	3		
		1	1	3		4	3	5		
	A	4	8	10		6	9	11		
	V	140	300	350		250	380	440		



MAINTENANCE ET DÉFAILLANCES

- L'entretien et la réparation de la machine doivent être effectués par des personnes compétentes. Notre société n'est pas responsable des accidents qui se produisent à la suite d'interventions par des personnes non autorisées.
- Les pièces à utiliser pendant la réparation peuvent être obtenues auprès de nos services autorisés. L'utilisation de pièces détachées d'origine prolongera la durée de vie de votre machine et empêchera les pertes de rendement.
- Contactez toujours le fabricant ou un agent de service autorisé spécifié par le fabricant.
- Toute tentative non autorisée par le fabricant pendant la période de garantie annulera toutes les dispositions de la garantie.
- Respectez scrupuleusement les consignes de sécurité applicables pendant les procédures d'entretien et de réparation.
- Avant toute opération de réparation de la machine, déconnectez la sortie électrique de la machine du secteur et attendez 10 secondes pour que les condensateurs se déchargent.

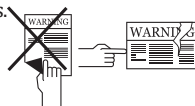
FR

4.1 Maintenance



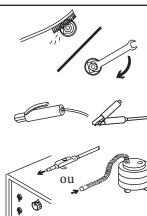
Tous les 3 Mois

- Ne retirez pas les étiquettes d'avertissement sur l'appareil. Remplacez les étiquettes usées / déchirées par des neuves. Vous pouvez obtenir les étiquettes auprès de votre revendeur.
- Vérifiez la torche, les pinces et les câbles. Vérifiez le bon état et les fixations des composants. Remplacez les pièces endommagées ou défectueuses par des nouvelles. N'utilisez pas des rallonges pour les câbles et n'essayez jamais réparer un câble.
- Assurez-vous qu'il y a suffisamment d'espace pour la ventilation.
- Avant de commencer le soudage, vérifiez le débit de gaz de la pointe de la torche à l'aide d'un débitmètre. Si le débit de gaz est élevé ou faible, amenez-le au niveau adapté pour le soudage.



Tous les 6 Mois

- Nettoyez et serrez les fixations telles que les boulons et les écrous.
- Vérifiez la tresse de la pince porte électrode et de la pince de masse.
- Ouvrez les capots latéraux de la machine et nettoyez-les à l'air sec à basse pression. N'appliquez pas d'air comprimé de près sur des composants électroniques.
- Remplacez périodiquement l'eau dans le réservoir de l'unité de refroidissement par de l'eau non dure et propre et protégez-la du gel avec de l'antigel.



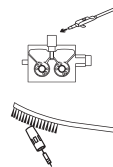
REMARQUE: Les délais mentionnés ci-dessus sont les périodes maximales à appliquer dans le cas où aucun problème ne se produit sur la machine. En fonction de la densité de votre activité et de la pollution de votre environnement de travail, vous pouvez répéter les opérations ci-dessus plus fréquemment.



Ne jamais procéder au soudage lorsque les couvercles du poste de soudage sont ouverts.

4.2 Maintenance Non Périodique

- Le mécanisme du dévidoir doit être toujours maintenu propre et les surfaces des bobines ne doivent jamais être lubrifiées.
- Éliminez toujours les dépôts accumulés sur le mécanisme avec de l'air sec lors de chaque remplacement d'un fil de soudage.
- Les consommables sur la torche doivent être nettoyés régulièrement et remplacés si nécessaire. Pour une utilisation longue durée de ces matériaux, assurez-vous que ce sont des produits originaux.



4.3 Dépannage

Vous pouvez obtenir les étiquettes des services autorisés.

Incident	Cause	Solution
La machine ne fonctionne pas	• La machine n'est pas connectée au secteur	• Assurez-vous que la machine est correctement branchée
	• Les connexions réseau ne sont pas correctes	• Vérifiez que les connexions secteur sont correctes
	• Les fusibles d'alimentation, le câble secteur ou la fiche sont défectueux	• Vérifiez les fusibles d'alimentation, le câble d'alimentation et la fiche
	• Un (ou plusieurs) fusible a sauté	• Vérifiez les fusibles
	• Le contacteur est défectueux	• Vérifier le contacteur
Le moteur du dévidoir ne fonctionne pas	• Un (ou plusieurs) fusible a sauté	• Vérifiez les fusibles
	• La carte électronique est défectueuse	• Contactez le service agréé
Le moteur d'alimentation de fil fonctionne mais le fil n'avance pas	• Les galets d'entraînement de fil ne conviennent pas au diamètre du fil	• Choisissez des galets d'alimentation de fil appropriées
	• La pression appliquée sur les galets d'alimentation de fil est très faible	• Ajustez le galet presseur
La soudure n'est pas bonne	• La connexion entre la pince de mise à la masse et la pièce est défaillante	• Assurez-vous que la pince de mise à la masse de la machine est connectée à la pièce à travailler
	• Les câbles et les ports de connexion sont usés	• Assurez-vous que les câbles et les ports de connexion sont en bon état
	• La sélection du paramétrage et du processus n'est pas correcte	• Assurez-vous que la sélection du paramètre et du processus est correcte. Suivez les étapes ci-dessous en fonction du processus sélectionné

Incident	Cause	Solution
La soudure n'est pas bonne	<ul style="list-style-type: none"> Le flux de gaz n'est pas ouvert ou défaillant 	<ul style="list-style-type: none"> Vérifiez que le flux de gaz est ouvert, assurez-vous que le flux est correct
	<ul style="list-style-type: none"> La torche de soudage est défectueuse 	<ul style="list-style-type: none"> Assurez-vous que la torche de soudage est en bon état
	<ul style="list-style-type: none"> Les consommables ne sont pas adaptés ou sont endommagés 	<ul style="list-style-type: none"> Sélectionnez le consommable approprié et nettoyez la torche régulièrement. Les consommables inadaptés ou usés doivent être remplacés
	<ul style="list-style-type: none"> Le réglage de pression des galets presseurs n'est pas correct 	<ul style="list-style-type: none"> Les réglages des galets presseurs doivent être effectués correctement
Le ventilateur ne fonctionne pas	<ul style="list-style-type: none"> Un (ou plusieurs) fusible a sauté 	<ul style="list-style-type: none"> Vérifiez les fusibles
	<ul style="list-style-type: none"> Le moteur de ventilateur est défectueux 	<ul style="list-style-type: none"> Contactez le service agréé
La machine est bruyante	<ul style="list-style-type: none"> Le contacteur est défectueux 	<ul style="list-style-type: none"> Contactez le service agréé
Le courant de soudage est instable et / ou ne peut pas être réglé	<ul style="list-style-type: none"> Le groupe de diodes est défectueux 	<ul style="list-style-type: none"> Contactez le service agréé
La prise de chauffage ne fonctionne pas	<ul style="list-style-type: none"> Un (ou plusieurs) fusible a sauté 	<ul style="list-style-type: none"> Vérifiez les fusibles. Contactez le service agréé

4.4 Tableau des Fusibles

Fusible	Ampère	Fonctionnalité	Circuit Protégé
F1	10 A	Rapide	Moteur et carte d'alimentation de fil
F2	1 A	Retardé	Ventilateur de refroidisseur
F3	1 A	Rapide	Chauffage au CO ₂
F4	1 A	Rapide	Carte Voltmètre / Ampèremètre

4.5 Codes d'incident

FR

Code d'incident	Incident	Cause	Solution
Err	Protection Thermique (Primaire)	<ul style="list-style-type: none"> Le temps de fonctionnement de votre machine a peut-être été dépassé 	<ul style="list-style-type: none"> Laissez la machine refroidir en attendant un moment. Si le défaut disparaît, essayez de l'utiliser à des valeurs d'ampérage inférieures Si le problème persiste, contactez le service agréé
		<ul style="list-style-type: none"> Le ventilateur peut ne pas fonctionner 	<ul style="list-style-type: none"> Vérifiez visuellement si le ventilateur fonctionne ou non Si le problème persiste, contactez le service agréé
		<ul style="list-style-type: none"> Avant des conduits d'entrée-sortie d'air peut être fermé 	<ul style="list-style-type: none"> Ouvrez les conduits d'aération Si le problème persiste, contactez le service agréé
		<ul style="list-style-type: none"> L'environnement de travail de la machine peut être extrêmement chaud ou étouffant 	<ul style="list-style-type: none"> Assurez-vous que l'environnement de travail de la machine n'est pas excessivement chaud ou étouffant Si le problème persiste, contactez le service agréé
	Erreur de L'unité de Refroidissement Par Eau	<ul style="list-style-type: none"> Il peut y avoir une erreur dans l'unité de refroidissement par eau 	<ul style="list-style-type: none"> Vérifier le connecteur du groupe de refroidissement par eau et les entrées/sorties de la torche Assurez-vous que la circulation d'eau est assurée Si le problème persiste, contactez le service agréé

ANNEXE

5.1 Réglages Précis du Dévidoir

Vous pouvez effectuer des réglages fins sur le panneau au-dessus du dévidoir.

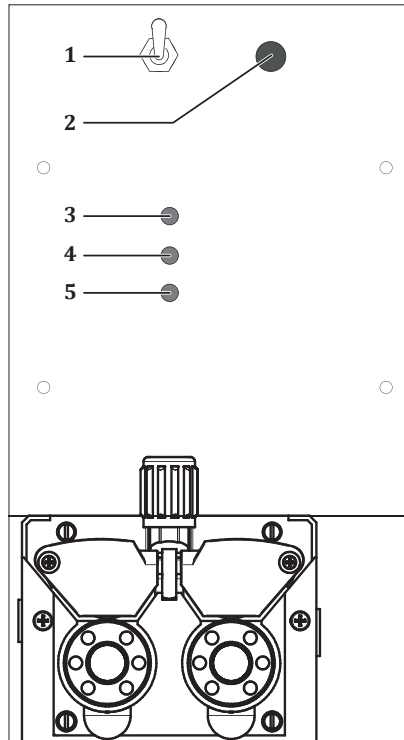
1- Interrupteur de démarrage progressif : lorsque l'interrupteur est en position ON, l'alimentation du fil démarre à basse vitesse et continue à la vitesse définie après que le fil touche la pièce et que l'arc de soudage démarre. Lorsque l'interrupteur est en position OFF, le dévidage du fil démarre à la vitesse définie.

2- Bouton d'alimentation du fil libre : Tant que le bouton est enfoncé, le fil est entraîné, la vanne de gaz ne fonctionne pas. Vous pouvez utiliser ce bouton pour conduire le fil dans la torche.

3- Potentiomètre de réglage du temps de post-gaz : Tournez le potentiomètre dans le sens des aiguilles d'une montre avec un tournevis à lame plate pour augmenter le temps de post-gaz, tournez le potentiomètre dans le sens inverse des aiguilles d'une montre pour le diminuer. Temps post-gaz 0 - 3 sec. peut être ajusté dans la plage.

4- Potentiomètre de réglage du temps de papillon avant : Tournez le potentiomètre dans le sens des aiguilles d'une montre avec un tournevis à lame plate pour augmenter le temps de pré-gaz, tournez le potentiomètre dans le sens inverse des aiguilles d'une montre pour le diminuer. Temps de pré-gaz 0 - 3 sec. peut être ajusté dans la plage.

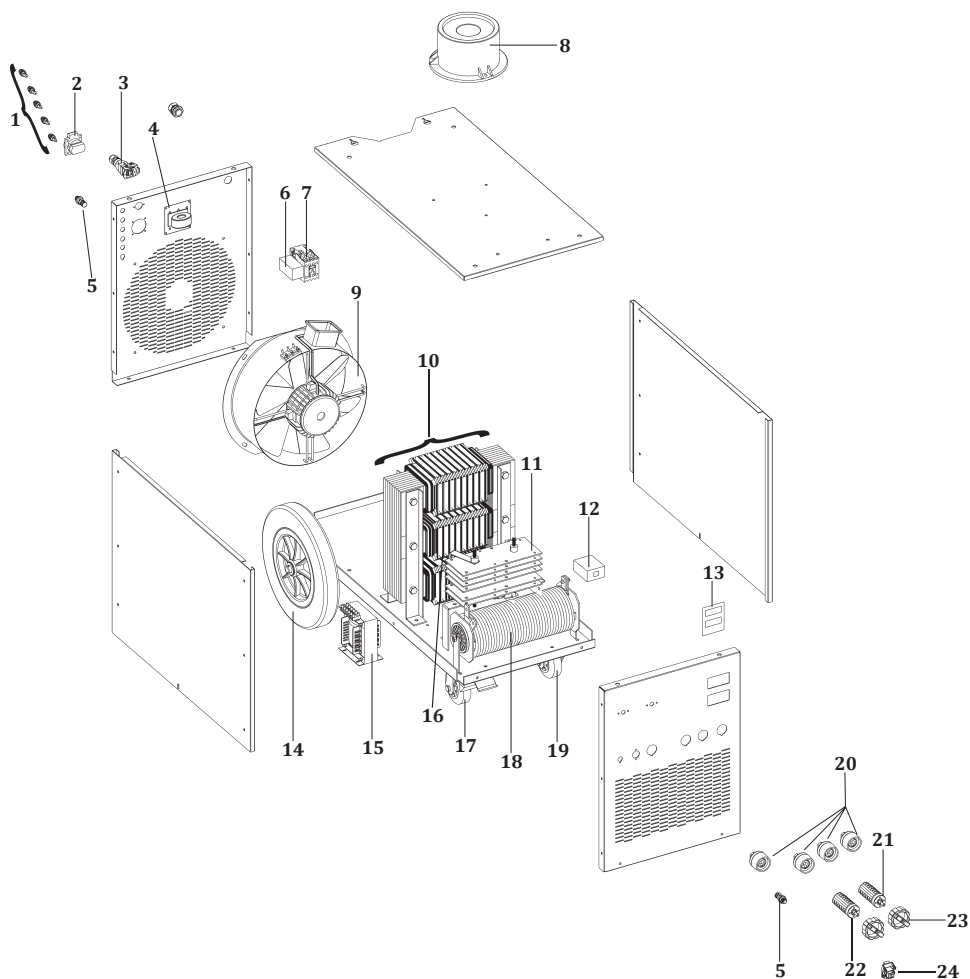
5- Potentiomètre de réglage du retour de flamme : Tournez le potentiomètre dans le sens des aiguilles d'une montre avec un tournevis à tête plate pour augmenter la durée du courant continu après la fin du dévidage du fil, tournez le potentiomètre dans le sens inverse des aiguilles d'une montre pour le diminuer. Temps de retour de flamme 0 - 1 sec. peut être ajusté dans la plage.



5.2 Listes des Pièces Détachées

Liste Des Pièces de Rechange de l'Alimentation

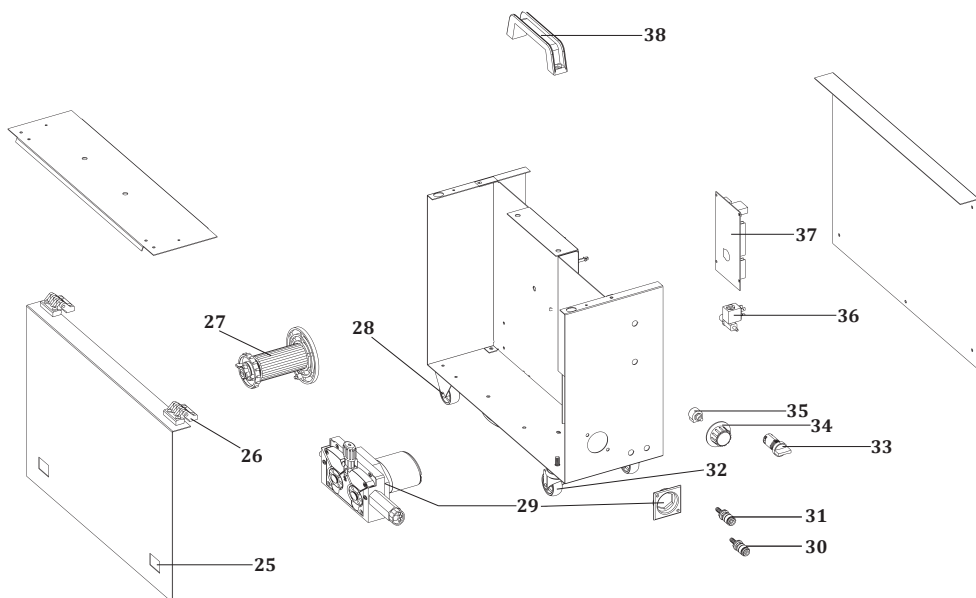
FR



N°	DÉFINITION	RS 350 M / MW	RS 400 M / MW	RS 500 M / MW
1	Porte - Fusible de Verre	A300190001	A300190001	A300190001
2	Prise de Machine Monophasée	A377100004	A377100004	A377100004
3	Connecteur	A378002003	A378002003	A378002003
4	Carte Électronique Filtre Rs	K405000224	K405000224	K405000262
5	Raccord de Gaz	A256006067	A256006067	A256006067
6	Filtre EMC	K405000902	K405000902	K405000902
7	Connecteur	A311000032	A311000032	A311000050
8	Appareil Rotatif	K090200002	K090200002	K090200002
9	Ventilateur de Refroidisseur	A250001002	A250001002	A250001002
10	Transformateur Principal	K304000065	K304100108	K304100110
11	Groupe de Diodes	A430901010	A430901011	A430901012
12	Capteur À Effet Hall	A834000002	A834000002	A834000003
13	Ampèremètre Voltmètre Carte	K405000018	K405000018	K405000018
14	Roue En Plastique	A225222012	A225222012	A225222012
15	Transformateur de Commande	K304400024	K304400024	K304400024
16	Bobine Primaire-Seconde	K302200064	K302200208	K302200210
17	Roue de Pivot En Plastique	A225220108	A225220108	A225220108
18	Bobine de Choc	K304500041	K304500048	K304500087
19	Roue de Pivot En Plastique	A225220010	A225220010	A225220010
20	Prise À Souder	A377900106	A377900106	A377900106
21	Interrupteur À Cames	A308032020	A308032070	A308033104
22	Interrupteur À Cames	A308032022	A308032074	A308033112
23	Bouton de Commutation	A308900004	A308900004	A308900004
24	Connecteur	A378002002	A378002002	A378002002

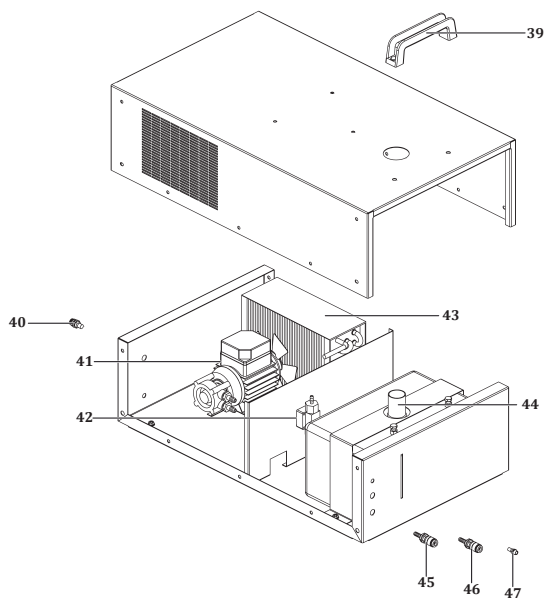
Liste Des Pièces de Rechange du Dévidoir

FR



N°	DÉFINITION	CODE DE PIÈCE
		RS 350 MW - RS 400 MW - RS 500 MW
25	Verrouillage du Couvercle	A229300006
26	Charnière	A229200005
27	Connexion À 3 Voies pour le Système du Dévidage	A229900003
28	Feuille Roues Fixes	A225101004
29	Système d'Alimentation de Fil	K309002210
30	Couplage Rapide-Rouge	A245700003
31	Couplage Rapide-Bleu	A245700002
32	Feuille de Roue Pivotante	A225100004
33	Bouton du Loquet	A310030002
34	Bouton de Puissance	A229500002
35	Potentiomètre	A410810004
36	Vanne à Gaz	A253006014
37	Carte Électronique	K405000351
38	Bras en Bakélite U	A229102002

Liste Des Pièces de Rechange pour Unité de Refroidissement par Eau

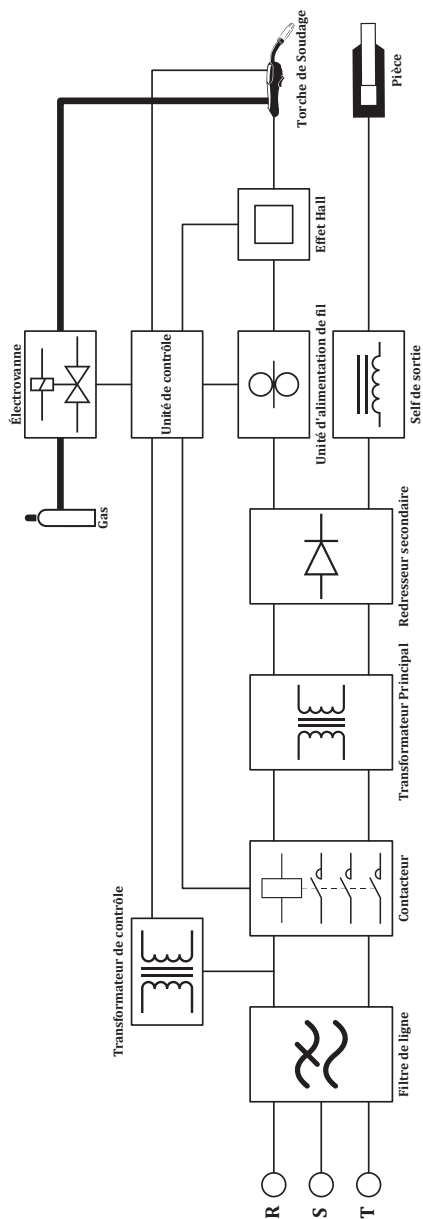


N°	DÉFINITION	CODE DE PIÈCE
		RS 350 MW - RS 400 MW - RS 500 MW
39	Bras en Bakélite U	A229102002
40	Porte-Fusible de Verre	A300190001
41	Fente d'Assurance Verre	A240000004
42	Interrupteur de débit	A314210018
43	Radiateur	A260000004
44	Réservoir d'eau	A249000003
45	Couplage Rapide-Bleu	A245700002
46	Couplage Rapide-Rouge	A245700003
47	Ampoule Néon	A310310002

5.3 Schémas de connexion

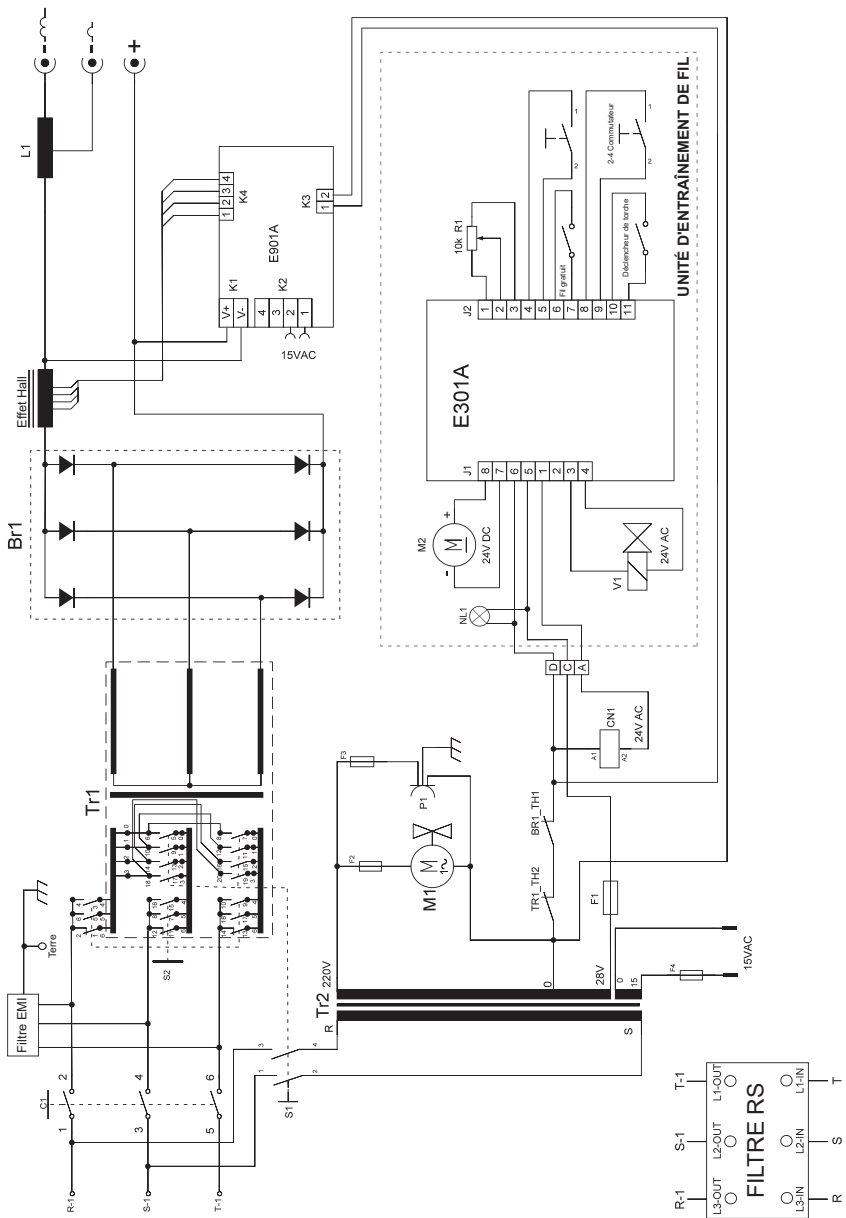
Diagramme

FR



Schémas de circuits

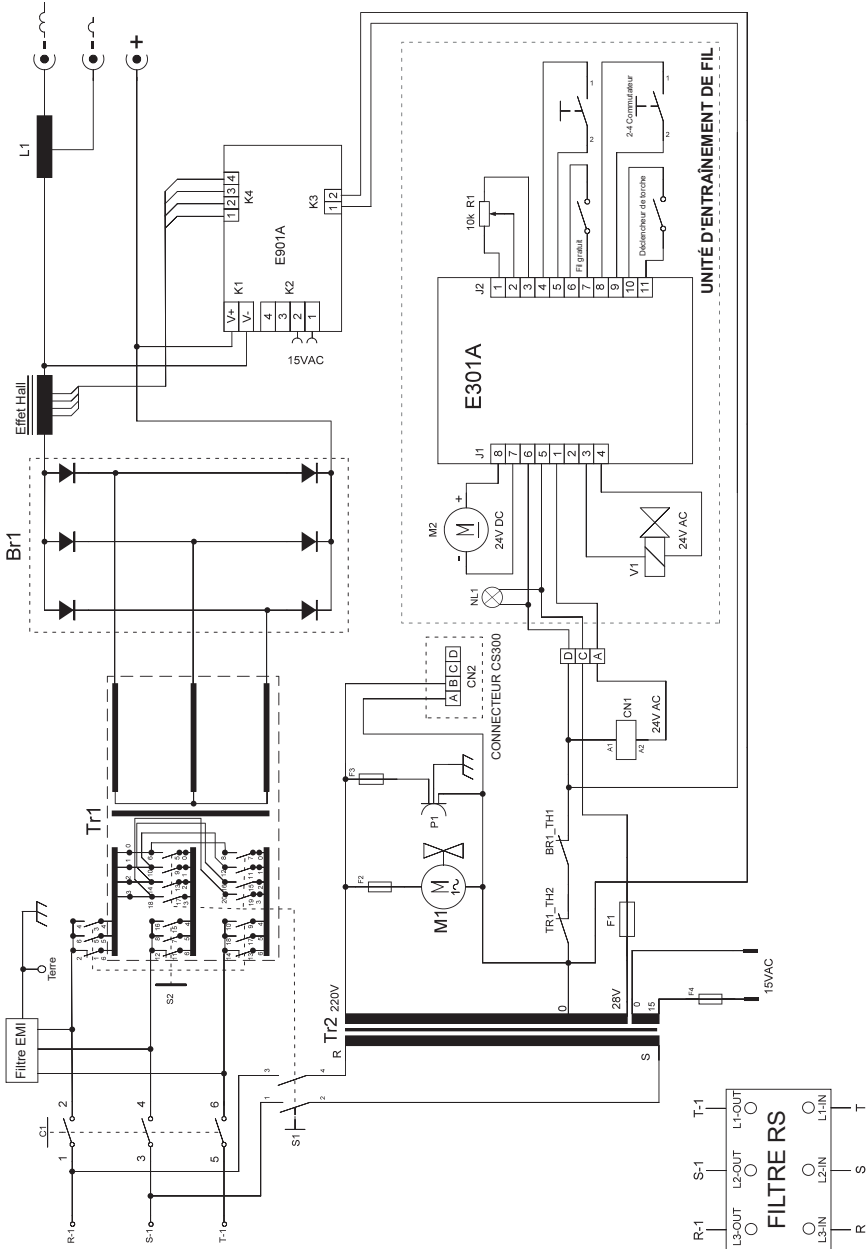
RS 350 M



FR

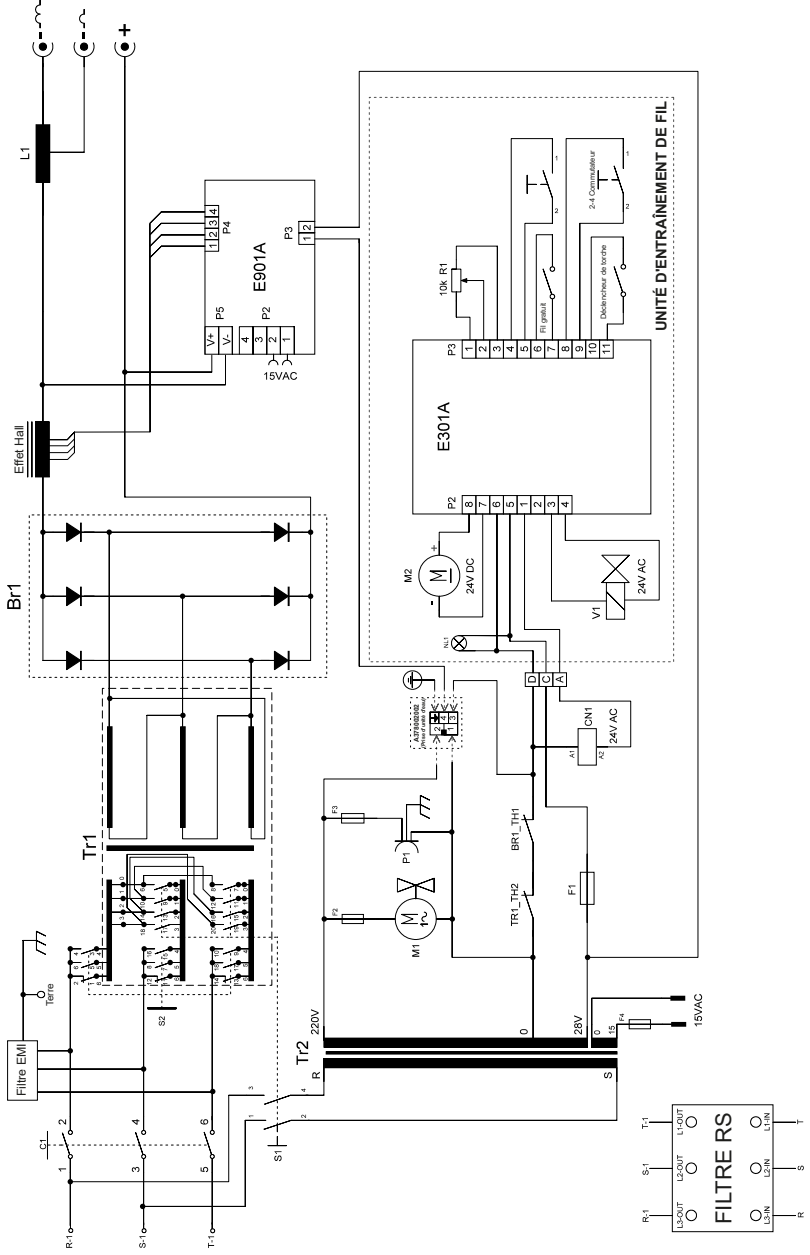
RS 350 MW

FR

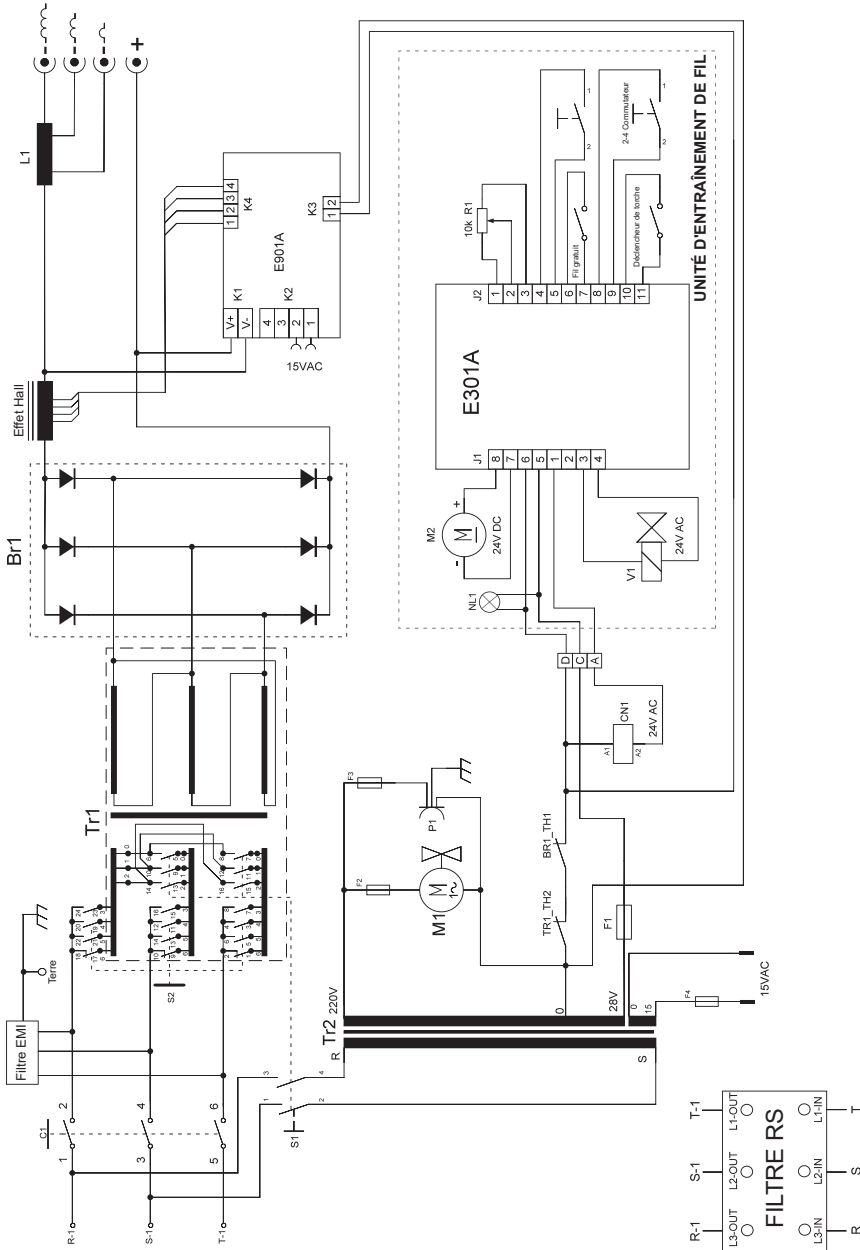


RS 400 MW

FR



RS 500 M



FR

RS 500 MW

FR

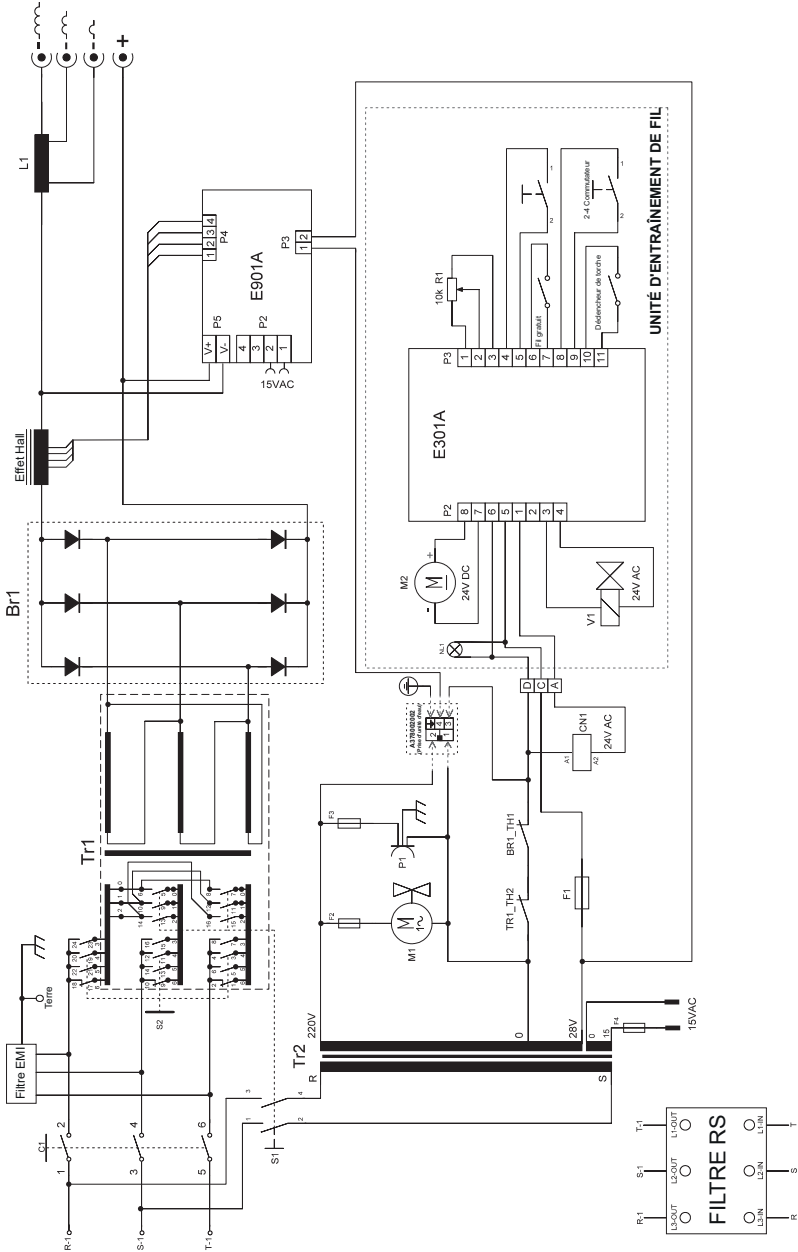
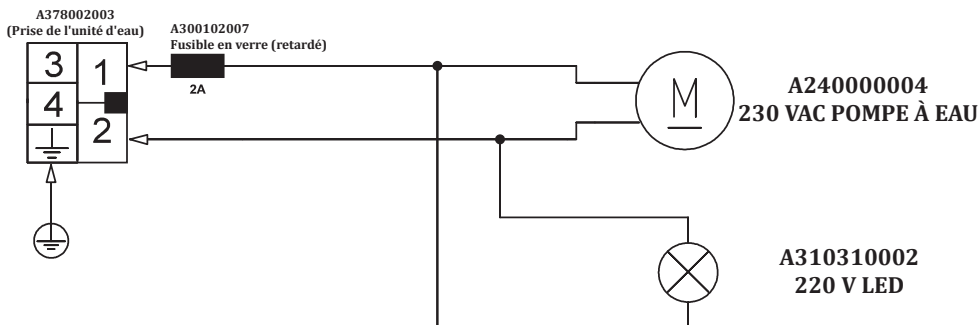


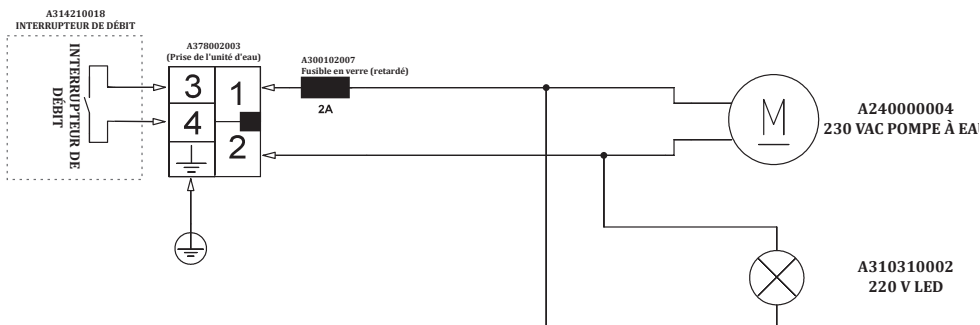
Schéma de circuit de l'unité d'eau

RS 350 MW



FR

RS 400 MW / RS 500 MW



INFORMATION PRODUIT

Modèle

Numéro de série

FABRICANT

Nom

MAGMA MEKATRONİK MAKİNE SANAYİ VE TİCARET A.Ş.

Adresse

Organize Sanayi Bölgesi 5. Kısım MANİSA

Téléphone / Courriel

+90 236 226 27 00 / info@magmaweld.com

INFORMATIONS D'ACHAT

Nom du revendeur

Ville / Pays

Téléphone / Courriel

Date d'achat

INFORMATIONS CLIENT

Nom de l'entreprise

Ville / Pays

Téléphone / Courriel

Nom du contact

INFORMATIONS SUR LA MISE EN ROUTE (le cas échéant)Nom de l'entreprise de la
mise en route

Nom du technicien

Date de la mise en route
(Date de début de garantie)

Veuillez visiter notre site web www.magmaweld.fr/conditions-de-garantie/wt
pour les conditions de garantie.

 **СОДЕРЖАНИЕ**

	ПРАВИЛА ТЕХНИКИ БЕЗОПАСНОСТИ	90
1	ТЕХНИЧЕСКАЯ ИНФОРМАЦИЯ	
1.1	Общее описание	97
1.2	Комплектующие сварочного аппарата	97
1.3	Этикетка продукта	99
1.4	Технические характеристики	100
1.5	Вспомогательные устройства и приспособления	101
2	ИНФОРМАЦИЯ ПО УСТАНОВКЕ И НАСТРОЙКЕ	
2.1	Контроль доставки	103
2.2	Рекомендации по установке и эксплуатации	103
2.3	Подключение Вилки Для Сети	104
2.4	Подключение Сварочного Оборудования	104
2.4.1	Подключения механизма подачи проволоки	104
2.4.2	Соединения Зажима Заземления	105
2.4.3	Блок водяного охлаждения (для моделей MW)	105
2.4.4	Подключение длинных промежуточных пакетов	106
2.4.5	Подключение Газового Оборудования	106
3	ИНФОРМАЦИЯ ПО ЭКСПЛУАТАЦИИ	
3.1	Подключение к сети	107
3.2	Подготовка и подключение горелки	107
3.3	Выбор и замена катушек сварочной проволоки	108
3.4	Установка катушки для подачи проволоки и подача проволоки	109
3.5	Регулировка расхода газа	110
3.6	Использование режимов запуска	111
3.7	Подготовка и завершение сварочных работ	112
3.8	Параметры Сварки	113
4	ТЕХОБСЛУЖИВАНИЕ И УСТРАНЕНИЕ НЕИСПРАВНОСТЕЙ	
4.1	Техобслуживание	114
4.2	Внеплановое техническое обслуживание	115
4.3	Устранение неисправностей	115
4.4	Таблица предохранителей	116
4.5	Коды неисправностей	117
5	ПРИЛОЖЕНИЯ	
5.1	Точные настройки в приводном устройстве	118
5.2	Списки запасных частей	119
5.3	Схемы подключения	123

ПРАВИЛА ТЕХНИКИ БЕЗОПАСНОСТИ

Соблюдайте все правила техники безопасности, указанные в этом руководстве!

Описание сведений по технике безопасности



- Знаки по технике безопасности, указанные в руководстве, используются для определения потенциальных источников опасности.
- При размещении какого-либо знака по технике безопасности в этом руководстве его следует понимать как указание на наличие риска телесных повреждений и во избежание потенциальной опасности внимательно ознакомиться с предоставленными далее пояснениями.
- Владелец оборудования несёт ответственность за предотвращение доступа посторонних лиц к оборудованию.
- Лица, осуществляющие эксплуатацию оборудования, должны иметь опыт или пройти полную подготовку по вопросу выполнения сварочных сварка / резка; перед работой на оборудовании ознакомьтесь с руководством по эксплуатации и соблюдайте инструкции по технике безопасности.

Описание знаков по технике безопасности

ВНИМАНИЕ



Указывает на потенциально опасную ситуацию, которая может привести к травме или повреждению. Несоблюдение этой меры предосторожности может привести к травме или потере/повреждению имущества.



ВАЖНО

Указывает на информацию и предупреждения, касающиеся эксплуатации.



ОПАСНОСТЬ

Указывает на серьёзную опасность. В случае непринятия мер может привести к смерти или серьёзным травмам.

Понимание предупреждений по технике безопасности



- Внимательно прочитайте руководство по эксплуатации, а также ознакомьтесь с маркировкой (ярлыком) и предупреждениями по технике безопасности, размещёнными на оборудовании.
- Убедитесь, что предупреждающая маркировка находится в надлежащем состоянии. Замените отсутствующие и повреждённые ярлыки.
- Ознакомьтесь со способом эксплуатации оборудования и правильными методами управления оборудованием.
- Осуществляйте эксплуатацию вашего оборудования в соответствующей одежде.
- Несоответствующие изменения, проводимые на вашем оборудовании, негативно скажутся на безопасной эксплуатации и сроке службы оборудования.
- Производитель не несёт ответственности за какие-либо последствия, возникающие в результате эксплуатации устройства за пределами вышеуказанных условий.

Поражение электротоком может привести к летальному исходу



Убедитесь, что процедуры установки соответствуют национальным электрическим стандартам и иным соответствующим нормам, а также обеспечьте установку оборудования компетентными лицами.

- Пользуйтесь сухими и неповреждёнными изолированными перчатками и рабочим фартуком. Запрещается использовать мокрые или повреждённые перчатки и рабочие фартуки.
- Носите огнестойкую защитную одежду, чтобы избежать ожогов. Одежда, используемая оператором, должна защищать от искр, брызг и излучения дуги.
- Не работайте в одиночку. В случае опасности убедитесь, что у вас есть помощник на рабочем месте.
- Не касайтесь электрода голыми руками. Не допускайте контакта держателя электрода или электрода с другими людьми или заземлёнными предметами.
- Никогда не прикасайтесь к частям, которые разносят электричество.
- Не прикасайтесь к электроду при контакте с электродом, подключённым к рабочей поверхности, полу или другому оборудованию.

- Вы можете защитить себя от возможных поражений электрическим током, изолировав себя от рабочей поверхности и пола. Используйте сухой, неповрежденный, невоспламеняющийся электроизоляционный материал таких размеров, чтобы он был пригодным для предотвращения контакта оператора с рабочей поверхностью.
- Не подключайте более одного электрода к держателю электрода.
- Подсоедините зажим заземления к заготовке или рабочему столу как можно ближе, чтобы обеспечить хороший контакт металла с металлом.
- Проверьте горелку перед работой со сварочным аппаратом. Убедитесь, что горелка и его кабели в хорошем состоянии. Обязательно замените поврежденную изношенную горелку.
- Не касайтесь держателей электродов, подключенных к двум сварочным аппаратам одновременно, так как будет присутствовать двойное напряжение холостого хода.
- Держите аппарат выключенным и отсоедините кабели, когда она не используется.
- Перед ремонтом машины отключите все электрические соединения и / или разъемы или выключите машину.
- Будьте осторожны при использовании длинного сетевого кабеля.
- Убедитесь, что все соединения чистые и сухие.
- Следите за тем, чтобы кабели были сухими, чистыми и обезжиренными, а также защищенными от горячего металла и искр.
- Оголенная проводка может убить. Часто проверяйте все кабели на предмет возможных повреждений. Если обнаружен поврежденный или неизолированный кабель, немедленно отремонтируйте или замените его.
- Если зажим заземления не подключен к заготовке, изолируйте его, чтобы предотвратить контакт с любым металлическим предметом.
- Убедитесь, что заземление линии питания подключено правильно.
- Не используйте источник переменного тока во влажных, сырых или перегруженных местах, а также в местах, где существует опасность падения.
- Используйте источник переменного тока ТОЛЬКО, если это необходимо для процесса сварки.
- Если требуется источник переменного тока, используйте дистанционное управление источником, если оно имеется на устройстве.

Дополнительные меры предосторожности требуются при наличии любого из следующих электрически опасных условий:

- во влажных местах или в мокрой одежде,
- на металлических конструкциях, таких как полы, решетки или строительные леса,
- когда вы находитесь в стесненном положении, например, сидя, на коленях или лежа,
- когда существует высокий риск неизбежного или случайного контакта с заготовкой или землей.

Для этих условий используйте следующее оборудование:

- Полуавтоматический аппарат для сварки MIG постоянного напряжения (CV),
- Ручной сварочный аппарат MMA постоянного тока,
- Сварочный аппарат постоянного или переменного тока с пониженным напряжением холостого хода (VRD), если имеется.

Процедуры при поражении электрическим током



- Отключите электричество.
- Используйте непроводящий материал, например сухую древесину, чтобы освободить пострадавшего от контакта с токоведущими частями или проводами.
- Позвоните в службу экстренной помощи.

Если у вас есть обучение оказанию первой помощи;

- Если пострадавший не дышит, проведите сердечно-легочную реанимацию (СЛР) сразу после разрыва контакта с источником электричества. Продолжайте СЛР (массаж сердца) до тех пор, пока не начнется дыхание или пока не придет помощь.
- Если имеется автоматический электронный дефибриллятор (AED), используйте его в соответствии с инструкциями.
- Относитесь к электрическому ожогу как к термическому ожогу, прикладывая стерильные холодные (ледяные) компрессы. Избегайте загрязнения и накройте чистой сухой повязкой.

Движущиеся части могут привести к телесным повреждениям



- Не приближайтесь к движущимся объектам.
- Закрывайте и запирайте все крышки, панели, дверцы и т.п. защитные приспособления оборудования и устройств.
- Носите ботинки с металлическим носком на случай падения тяжелых предметов.

Дым и газы могут нанести вред вашему здоровью



Во время выполнения сварки / резки и резки чрезвычайно опасно вдыхать дым и газ в течение длительного времени.

- Жжение и раздражение глаз, носа и горла указывают на недостаточность вентиляции. В этом случае необходимо незамедлительно улучшить уровень вентиляции и, если проблема не устранена, остановить сварку / резку.
- Предусмотрите на рабочем участке систему естественной или искусственной вентиляции.
- На участках выполнения сварки / резки или резки используйте соответствующую систему удаления дыма. При необходимости установите систему, которая обеспечит вывод дыма и газов, накапливающихся в цехе в целом. Во избежание загрязнения окружающей среды во время выброса газов используйте соответствующую систему фильтрации.
- При проведении работ в ограниченном пространстве или при выполнении сварки / резки материалов с покрытием из свинца, бериллия, кадмия, цинка, а также окрашенных материалов, помимо вышеуказанных мер предосторожности, используйте маски, обеспечивающие подачу свежего воздуха.
- Если газовые баллоны сгруппированы в отдельной зоне убедитесь в наличии хорошей вентиляции в этом помещении; закрывайте главные клапаны по окончании использования газовых баллонов, проверяйте баллоны на предмет утечки газа.
- Защитные газы (аргон и т.п.) плотнее воздуха и при использовании в помещении могут попадать в дыхательные пути вместо воздуха. Это опасно для вашего здоровья.
- Не проводите сварочные работы при наличии паров хлорированных углеводородов, выделяющихся во время смазочных и покрасочных работ.
- Некоторые сварные / вырезанные детали требуют специальной вентиляции. Следует внимательно прочитать правила безопасности продуктов, требующих специальной вентиляции. В случаях, когда требуется противогаз, следует надеть подходящий противогаз.

Излучение сварочной дуги может нанести вред вашим глазам



- Для защиты глаз и лица используйте соответствующую защитную маску и пригодный для маски стеклянный фильтр.
- Защищайте от этого излучения также другие части тела (руки, шею, уши и т.д.) соответствующей защитной одеждой.
- Для предупреждения возникновения у окружающих повреждений от воздействия сварочной дуги и горячих металлов, оградите ваш рабочий участок огнестойкими экранами высотой на уровне глаз и повесьте предупреждающие знаки.
- Оборудование не предназначено для нагревания замёрзших труб. Проведение таких работ сварочным аппаратом может привести к взрыву, пожару или повреждению вашего оборудования.

Искры и разбрызгивающиеся частицы могут нанести повреждения глазам



- При выполнении таких работ, как сварка, шлифовка или зачистка поверхности, могут образоваться искры и происходить разбрызгивание металлических частиц. Для предупреждения телесных повреждений надевайте под маску утверждённые к применению защитные рабочие очки с боковыми щитками.

Горячие детали могут привести к тяжёлым ожогам



- Не прикасайтесь к горячим деталям голыми руками.
- Перед работой с деталями оборудования подождите некоторое время, пока они остынут.
- При необходимости контакта с горячими деталями, используйте соответствующие инструменты, теплоизоляционные сварочные перчатки и огнеупорную одежду.

Повышенный Уровень Шума Может Нанести Вред Слуху



- Шум, выделяемый некоторым оборудованием и работами, может нанести вред слуху.
- При повышенном уровне шума используйте утверждённые к применению защитные наушники.

Сварочная проволока может нанести телесные повреждения



- При разматывании катушки сварочной проволоки не направляйте горелку на какую-либо часть тела, а также на других людей или какие-либо металлические предметы.
- При разматывании вручную катушки сварочной проволоки, особенно, небольшого диаметра, проволока может выскочить из ваших рук, как пружина, и травмировать вас или окружающих, поэтому при выполнении этих работ особое внимание уделите защите глаз и лица.

Сварка может привести к пожарам и взрывам



- Запрещается производить сварку вблизи легковоспламеняющихся материалов. Это может привести к пожару или взрыву.
- Перед проведением сварочных работ удалите эти предметы с участка или накройте их защитными покрытиями для предупреждения возгораний.
- На этих участках применяются специальные национальные и международные правила.

- Не производите сварку и резку полностью закрытых труб или трубок.
- Перед выполнением сварка / резка труб и закрытых емкостей откройте их, полностью опорожните, проветрите и очистите. Соблюдайте максимальную осторожность при выполнении сварка / резка на таких участках.
- Не производите сварку опорожнённых труб и трубок, которые ранее содержали вещества, способные вызвать взрыв, пожар или другие реакции.
- Сварочное оборудование имеет свойство нагреваться. Поэтому не размещайте его на легко воспламеняемых или легко повреждаемых поверхностях!

- Сварочные искры могут привести к возникновению пожара. По этой причине обеспечьте наличие в легко доступных для вас местах таких материалов, как огнетушители, вода и песок.
- Используйте обратные клапаны, газовые регуляторы и клапаны в сетях горючих, взрывоопасных газов и сжатого газа.

Выполнение технического обслуживания оборудования устройств некомпетентными лицами может привести к телесным повреждениям



- Запрещается привлекать некомпетентных лиц к ремонту оборудования. Ошибки, которые могут быть допущены при нарушении этого требования, могут привести к серьёзным травмам или летальному исходу.
- Элементы газовой сети работают под давлением; в результате манипуляций, производимых некомпетентными лицами, могут возникнуть взрывы, и пользователи могут получить серьёзные травмы.
- Рекомендуется производить обслуживание оборудования и его периферийных устройств не реже одного раза в год.

Сварка / Резка на небольших участках и участках с ограниченным пространством



- Выполняйте сварку/резку на небольших участках и участках с ограниченным пространством в присутствии ещё одного человека.
- По мере возможности избегайте проведения сварочных работ/резки в ограниченных пространствах.

Несоблюдение необходимых мер предосторожности при перемещении оборудования может привести к несчастным случаям



- При перемещении оборудования соблюдайте все необходимые меры предосторожности. Участки, на которых будет производиться перемещение, части, подлежащие перемещению, а также физическое состояние и здоровье людей, вовлечённых в процесс перемещения оборудования, должны соответствовать требованиям процедуры перемещения и транспортировки.
- Некоторое оборудование имеет большую массу, поэтому при перемещении убедитесь в принятии всех мер предосторожности по охране окружающей среды.
- Если сварочный аппарат предполагается использовать на платформе, необходимо убедиться в том, что такая платформа имеет соответствующие пределы нагрузки.
- При перемещении оборудования при помощи какого-либо механизма (тележка, вилочный погрузчик и пр.) убедитесь в надлежащем состоянии точек крепления механизма и оборудования (крепление подвесок, ремней для перемещения, болтов, гаек, колёс и т.п.).
- При выполнении перемещения вручную убедитесь в надлежащем состоянии приспособлений оборудования (подвески, ремни для перемещения и т.п.) и их креплений.

- С целью обеспечения необходимых требований для перемещения соблюдайте правила Международной организации труда в отношении веса перемещаемого оборудования, а также нормативы по перемещению оборудования, действующее в вашей стране.
- При перемещении источника питания используйте специальные приспособления (держатели или проушины). Запрещается перемещать оборудование, удерживая его за горелку, кабель или шланги. Перемещение газовых баллонов осуществляйте отдельно от всего оборудования.
- Перед перемещением сварочного и режущего оборудования демонтируйте все промежуточные соединения, осуществляйте поднятие и перемещение небольших частей посредством ручек, а более крупных частей с помощью соответствующих приспособлений (проушины) или вилочных погрузчиков.

Падение частей оборудования может привести к телесным повреждениям



Неправильное расположение источника питания или иного оборудования может привести к серьёзным травмам и повреждению имущества.

- Во избежание падений и опрокидывания вашего оборудование его необходимо разместить на основании (полу) или платформе с максимальным уклоном 10°. Это предупредит воспрепятствование подаче материала и риск застопоривания в кабелях и шлангах; предпочитайте для установки оборудования неподвижные широкие, не запылённые, легко вентилируемые участки. Во избежание опрокидывания газовых баллонов закрепите их, при наличии, на пригодной для баллонов платформе, находящейся на оборудовании, а при стационарном использовании, зафиксируйте баллон надёжным способом, прикрепив его к стене.
- Обеспечьте операторам лёгкий доступ к настройкам и подключениям на оборудовании.

Чрезмерная эксплуатация приводит к перегреву оборудования



- Обеспечьте остывание оборудования в соответствии с рабочим циклом.
- Перед повторным началом сварочных работ уменьшите коэффициент тока или загрузку рабочего цикла.
- Не закрывайте вентиляционные отверстия оборудования.
- Не устанавливайте фильтры в вентиляционные отверстия оборудования без разрешения производителя.

Дуговая сварка может вызвать электромагнитные помехи



- Данное устройство относится к группе 2, класс А в испытаниях электромагнитной совместимости (ЭМС) в соответствии со стандартом TS EN 55011.
- Данное устройства класса А не предназначено для эксплуатации в жилых помещениях с подачей электроэнергии от низковольтной сети. Возможны затруднения в достижении электромагнитной совместимости в связи с радиочастотными помехами, передача и распространение которых имеют место на таких участках.



Это устройство не соответствует стандарту IEC61000-3-12. При необходимости подключения к низковольтной сети, используемой в бытовых условиях, специалист, который будет осуществлять электрическое подключение, или лицо, которое будет эксплуатировать оборудование, должны быть осведомлены в вопросе особенности подключения оборудования, в этом случае пользователь несёт ответственность за проведение таких работ.

- Убедитесь, что рабочая зона соответствует электромагнитной совместимости (ЭМС). Электромагнитные помехи во время сварка / резка или резки могут вызвать нежелательные воздействия на ваши электронные устройства в вашей сети, и пользователь несёт ответственность за какие-либо помехи, которые могут возникнуть во время проведения работ.
- При возникновении каких-либо помех, могут быть приняты дополнительные меры для обеспечения совместимости в виде использования коротких кабелей, экранированных кабелей, перемещения сварочного аппарата в другое место, отдаления кабеля от оборудования и/или участка, попавшего под воздействие использования фильтров или защиты рабочего участка в аспекте ЭМС.
- Во избежание возможных повреждений в связи с нарушением ЭМС выполняйте сварочные работы как можно дальше (100м) от вашего чувствительного электронного оборудования.
- Убедитесь в установке и размещении вашего сварочного аппарата или газового резака в соответствии с руководством по эксплуатации.

**Оценка
электромагнитной
совместимости
рабочего
участка**



Согласно пункту 5.2 стандарта IEC 60974-9,

Перед установкой сварочного и режущего оборудования уполномоченное лицо предприятия и/ или пользователь должны произвести осмотр участка на предмет возможных электромагнитных помех на прилегающей территории. Необходимо обратить внимание на следующие вопросы:

- a) наличие других кабелей питания, кабелей управления, сигнальных и телефонных кабелей сверху, снизу и рядом со сварочным аппаратом и оборудованием;
- b) наличие радио- и телевизионных передатчиков и приемников;
- c) наличие компьютерного и иного оборудования, используемого для управления;
- d) наличие критического оборудования для обеспечения безопасности, например для защиты промышленного оборудования;
- e) наличие медицинских аппаратов (например, кардиостимуляторов и слуховых аппаратов), используемых населением на прилегающей территории;
- f) наличие оборудования, используемого для измерения или калибровки;
- g) невосприимчивость иного оборудования, находящегося на прилегающей территории. Пользователь должен убедиться, что иное оборудование, используемое на прилегающей территории, является совместимым. Это может потребовать дополнительных мер защиты;
- h) Границы рассматриваемого участка могут быть расширены в соответствии с размерами прилегающей территории, конструкцией зданий и иными работами, выполняемыми в здании, с учётом времени, в течение которого предполагается производить сварочные или иные работы в течение дня.

В дополнение к оценке участка также может потребоваться оценка мест установки устройств с целью устранения нарушающего совместимость воздействия. При необходимости, для подтверждения эффективности мер по снижению воздействия также можно провести измерения на месте. (Источник: МЭК 60974-9).

**Методы снижения
помех**



- Устройство должно быть подключено к источнику питания компетентным специалистом в соответствии с рекомендациями. При возникновении помех могут применяться дополнительные меры, такие как фильтрация сети. Электропитание оборудования для дуговой сварка / резка с фиксированным креплением должно осуществляться при помощи кабеля, проложенного через металлическую трубу или эквивалентного экранированного кабеля. Необходимо подключить экран и корпус источника питания, и между этими двумя конструкциями должен быть обеспечен хороший электрический контакт.
- Необходимо выполнять рекомендуемое плановое обслуживание устройства. При эксплуатации устройства должны быть закрыты и/или заперты все крышки корпуса оборудования. Без письменного разрешения производителя в устройство запрещается вносить какие-либо изменения или модификации, отличные от стандартных настроек. В противном случае вся ответственность за какие-либо последствия возлагается на пользователя.
- Сварочные кабели должны быть максимально короткими. Кабели должны выходить из пола рабочего участка бок о бок. Наматывание сварочных кабелей запрещено.
- Во время сварки / резки в оборудовании генерируется магнитное поле. Это может привести к притяжению оборудования металлическими предметами.
Для предотвращения этого убедитесь в размещении металлических материалов на безопасном расстоянии или в надёжной фиксации таких материалов. Оператор должен быть изолирован от всех таких взаимосвязанных металлических материалов.
- В случае отсутствия заземления обрабатываемого объекта или изделия, по соображениям электрической безопасности или в связи с его габаритными размерами и положением (например, при изготовлении корпуса судна или стальной конструкции), подключение между обрабатываемым объектом или изделием и землёй в некоторых случаях может снизить выбросы, и необходимо помнить, что заземление обрабатываемого объекта или изделия может привести к телесным повреждениям пользователя или неисправностям иного электрического оборудования, находящегося на прилегающей территории. При необходимости, заземление обрабатываемого объекта или изделия может быть выполнено прямым способом, но в некоторых странах, в которых прямое заземление запрещено, подключение может быть создано при помощи соответствующих элементов ёмкости в соответствии с местными нормами и правилами.
- Экранирование и защита других устройств и кабелей на рабочем участке может предотвратить возникновение воздействий, нарушающих совместимость. Для некоторых случаев может рассматриваться полное экранирование участка сварки / резки.

**Дуговая сварка
может создавать
электромагнитное
поле (ЭМП)**



Электрический ток, проходящий через какой-либо проводник, создаёт локальные электрические и магнитные поля (ЭМП). Все сварщики должны применять следующие процедуры с целью минимизации риска воздействия ЭМП от сварочной цепи:

- Для уменьшения магнитного поля сварочные кабели должны быть объединены и как можно более надёжно закреплены с помощью крепёжных материалов (ленты, кабельные стяжки и т.п.).
- Тело и голова сварщика/рабочего должны находиться как можно дальше от сварочного аппарата и кабелей.
- Сварочные и электрические кабели ни в коем случае нельзя наматывать на корпус аппарата.
- Тело сварщика не должно находиться между сварочными кабелями. Оба сварочных кабеля должны находиться вдали от тела сварщика, рядом друг с другом.
- Обратный кабель должен быть подключён к обрабатываемому объекту или изделию максимально близко к участку сварки / резки.
- Запрещается опираться, садиться на источник питания сварочного аппарата, а также работать в непосредственной близости к нему.
- Запрещается производить сварки / резки во время перемещения устройства подачи сварочной проволоки или источника питания сварочного аппарата.

ЭМП также может нарушать работу медицинских имплантатов (кардиостимуляторы и т.п.). В виду этого для людей с медицинскими имплантатами должны быть приняты отдельные меры предосторожности. Например, введение ограничений на доступ для пересекающих дорогу людей, а также оценка индивидуальных рисков для сварщиков. Оценка рисков и выдача рекомендаций для пользователей с медицинскими имплантатами должна выполняться медицинским работником.

Защита



- Не подвергайте оборудование воздействию дождя, избегайте попадания на оборудование брызг воды или пара под давлением.

Энергоэффективность



- Выберите метод сварка / резка и сварочный аппарат, соответствующий запланированным сварочным работам.
- Установите параметры сварочного тока и/или напряжения, соответствующие материалу, подлежащему сварки / резки, а также его толщине.
- При длительном простое сварочного оборудования выключите оборудование после его охлаждения вентилятором. Наше оборудование (наша продукция), оснащённое вентилятором с интеллектуальным управлением, отключается автоматически.

**Процедура утилизации
отходов**



- Это устройство не является бытовым мусором. Утилизация устройства должна осуществляться в рамках национального законодательства в соответствии с директивой Европейского Союза.
- Получите информацию об утилизации отходов вашего использованного оборудования у вашего дилера и компетентных лиц.

ФОРМА ГАРАНТИИ



Пожалуйста, посетите наш сайт www.magmaweld.ru/гарантийный-малон/wr для формы гарантии.

ТЕХНИЧЕСКАЯ ИНФОРМАЦИЯ

1.1 Общее описание

RS 350 M, RS 400 M, RS 500 M, RS 350 MW, RS 400 MW и RS 500 MW, 3 фазы, ступенчатое регулирование напряжения, горизонтальная характеристика, для массового производства и строительства, все типы твердых и Горение порошковой проволокой проволокой промышленное Это сварочные аппараты MIG / MAG. Настройки сварочного напряжения выполняются в 21 шаге между RS 350 M и RS 350 MW 17 - 32 В, 28 шагами между RS 400 M и RS 400 MW 16 - 34 В, 30 шагами между RS 500 M и RS 500 MW 16 - 39 В. Механизм подачи проволоки представляет собой механизм с 4-мя роликами, выполненный в виде отдельной сумки от источника питания для удобной переноски на больших рабочих площадях. Несмотря на то, что устройство подачи проволоки имеет достаточно прочную конструкцию с учетом условий строительной площадки, его следует осторожно транспортировать в рабочие зоны, так как он содержит двигатель механизма подачи проволоки - зубчатый механизм, электронную карту и газовый клапан. Колеса в нижней части аппарата должны обеспечивать сварщику комфорт, но не должны перемещаться на большие расстояния, вытягивая их из горелки. С помощью этих аппаратов можно в течение всего дня сваривать проволокой разного диаметра в широком диапазоне силы тока. Идеально подходит для кабелей RS 350 M и RS 350 MW 1,0 мм, RS 400 M и RS 400 MW 1,2 мм, RS 500 M и RS 500 MW 1,2 - 1,6 мм.

1.2 Комплектующие сварочного аппарата

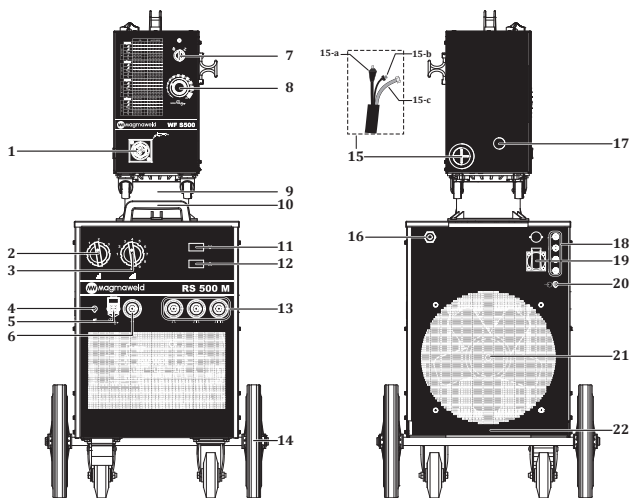


Рисунок 1 : RS 500 M Вид спереди и сзади

- | | |
|------------------------------------------------------------|-----------------------------------------------------|
| 1- Разъем горелки | 14- Колесо |
| 2- Переключатель включения / выключения и грубой настройки | 15- Промежуточный пакет |
| 3- Переключатель точной настройки | 15-а Сварочный штекер |
| 4- Выход газа | 15-б Кабель управления устройством подачи проволоки |
| 5- Разъем механизма подачи проволоки | 15-с Газовый шланг |
| 6- Гнездо сварочного тока | 16- Сетевая кабель |
| 7- Переключатель режима триггера | 17- Ввод провода канистры |
| 8- Кнопка регулировки скорости подачи проволоки | 18- Страховая группа |
| 9- Вращающийся аппарат | 19- Гнездо нагревателя CO ₂ |
| 10- Ручка | 20- Вход газа |
| 11- Вольтметр | 21- Выход вентилятора |
| 12- Амперметр | 22- Транспортная платформа для газовых баллонов |
| 13- Гнездо заземляющего провода (-) | |

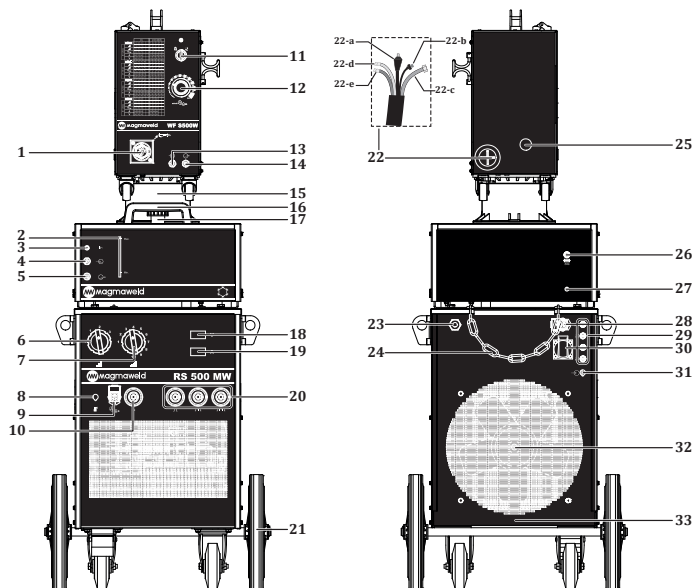


Рисунок 2 : RS 500 MW Вид спереди и сзади

- | | |
|------------------------------------------------------------|----------------------------------------------------|
| 1- Разъем горелки | 20- Гнездо заземляющего провода (-) |
| 2- Индикатор уровня воды | 21- Колесо |
| 3- Лампа сетевого питания системы охлаждения | 22- Промежуточный пакет |
| 4- Вход горячей воды | 22-а Сварочный штекер |
| 5- Выход холодной воды | 22-б Кабель управления устройства подачи проволоки |
| 6- Переключатель включения / выключения и грубой настройки | 22-с Газовый шланг |
| 7- Переключатель точной настройки | 22-д Шланг холодной воды - синий |
| 8- Выход газа | 22-е Шланг для горячей воды - красный |
| 9- Разъем механизма подачи проволоки | 23- Сетевой кабель |
| 10- Гнездо сварочного тока | 24- Цепь крепления газового баллона |
| 11- Переключатель режима триггера | 25- Ввод провода канистры |
| 12- Кнопка регулировки скорости подачи проволоки | 26- Страхование водяного охлаждения |
| 13- Вход горячей воды | 27- Кабель управления блоком водяного охлаждения |
| 14- Выход холодной воды | 28- Гнездо подключения блока водяного охлаждения |
| 15- Вращающийся аппарат | 29- Страховая группа |
| 16- Ручка | 30- Гнездо нагревателя CO ₂ |
| 17- Крышка резервуара для воды | 31- Вход газа |
| 18- Вольтметр | 32- Выход вентилятора |
| 19- Амперметр | 33- Транспортная платформа для газовых баллонов |

1.3 Этикетка продукта

MAGMA MEKATRONIK MAKINE SAN. VE TIC. A.Ş. Organize Sanayi Bölgesi 5.Kısım Manisa-TÜRKİYE				MAGMA MEKATRONIK MAKINE SAN. VE TIC. A.Ş. Organize Sanayi Bölgesi 5.Kısım Manisa-TÜRKİYE				MAGMA MEKATRONIK MAKINE SAN. VE TIC. A.Ş. Organize Sanayi Bölgesi 5.Kısım Manisa-TÜRKİYE									
RS 350 M / RS 350MW		Seri No :		RS 400 M / RS 400 MW		Seri No :		RS 500 M / RS 500 MW		Seri No :							
60A / 17V - 350A / 31.5V				45A / 16.2V - 400A / 34V				45A / 16.2V - 500A / 39V									
X		40%		60%		100%		X		40%		60%		100%			
I ₂		350A		286A		221A		I ₂		500A		408A		316A			
U ₂		31.5V		28.3V		25.1V		U ₂		34V		32.3V		28.1V			
I ₁		25.1A		18A		11.8A		I ₁		28.1A		23.6A		15.3A			
S ₁		17.3kVA		12.4kVA		8.1kVA		S ₁		19.4kVA		16.3kVA		10.6kVA			
U ₁ V		I _{max} = 25.1A		I _{in} = 15.9A		U ₁ V		I _{max} = 28.1A		I _{in} = 19.9A		U ₁ V		I _{max} = 41A		I _{in} = 26A	
19.7 - 51		IP21		IP21		IP21		19 - 53		IP21		IP21		IP21		IP21	

Трехфазный Трансформатор - Выпрямитель

Горизонтальная характеристика

MIG / MAG - Сварка

Постоянный Ток

Сетевой Вход-3-Фазный Переменный Ток

Пригоден Для Работы В Опасных Условиях

X Рабочий цикл

U₀ Напряжение работы без нагрузки

U₁ Напряжение и частота сети

U₂ Номинальное напряжение сварочного тока

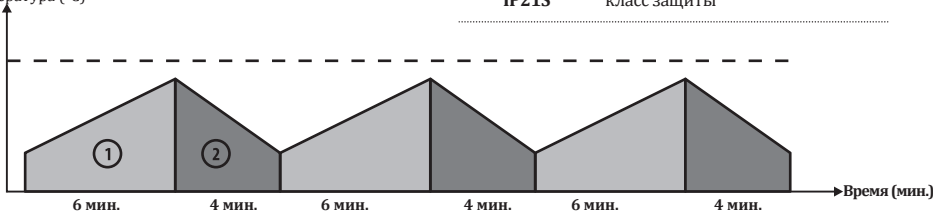
I₁ Номинальное потребление тока сети

I₂ Номинальный сварочный ток

S₁ Потребляемая мощность сети

IP21S класс защиты

Рабочий цикл
Температура (°C)



Согласно стандарту EN 60974-1, продолжительность рабочего цикла включает период времени 10 минут. Например, если машина, указанная как 250A при% 60, должна работать при 250A, машина может выполнять сварку / резку без перерыва в первые 6 минут из 10-минутного периода (зона 1). Тем не менее, следующие 4 минуты следует оставить без нагрузки для охлаждения машины (зона 2).

1.4 Технические характеристики

ТЕХНИЧЕСКИЕ ХАРАКТЕРИСТИКИ	Ед. изм.	RS 350 M	RS 350 MW
Сетевое напряжение (3 фаза - 50-60 Гц)	В	400	400
Сила тока сети	кВА	17.3 (%40)	17.3 (%40)
Диапазон регулировки сварочного тока	А пост.тока	60 - 350	60 - 350
Номинальный сетевой ток	А пост.тока	350	350
Напряжение открытого контура сварки	В пост.тока	20 - 52	20 - 52
Регулировка напряжения и количество уровней	мм	3 x 7	3 x 7
Размеры (ДхШхВ)	мм	1008 x 592 x 1220	1008 x 592 x 1443
Вес	кг	145.5	177
Класс защиты		IP 21	IP 21

ТЕХНИЧЕСКИЕ ХАРАКТЕРИСТИКИ	Ед. изм.	RS 400 M	RS 400 MW
Сетевое напряжение (3 фаза - 50-60 Гц)	В	400	400
Сила тока сети	кВА	19.4 (%50)	19.4 (%50)
Диапазон регулировки сварочного тока	А пост.тока	45 - 400	45 - 400
Номинальный сетевой ток	А пост.тока	400	400
Напряжение открытого контура сварки	В пост.тока	20 - 48	20 - 48
Регулировка напряжения и количество уровней	мм	4 x 7	4 x 7
Размеры (ДхШхВ)	мм	1020 x 590 x 1290	1020 x 590 x 1515
Вес	кг	134	155
Класс защиты		IP 21	IP 21

ТЕХНИЧЕСКИЕ ХАРАКТЕРИСТИКИ	Ед. изм.	RS 500 M	RS 500 MW
Сетевое напряжение (3 фаза - 50-60 Гц)	В	400	400
Сила тока сети	кВА	28.3 (%40)	28.3 (%40)
Диапазон регулировки сварочного тока	А пост.тока	45 - 500	45 - 500
Номинальный сетевой ток	А пост.тока	500	500
Напряжение открытого контура сварки	В пост.тока	19 - 53	19 - 53
Регулировка напряжения и количество уровней	мм	3 x 10	3 x 10
Размеры (ДхШхВ)	мм	1020 x 590 x 1290	1020 x 590 x 1515
Вес	кг	195	215
Класс защиты		IP 21	IP 21

1.5 Вспомогательные устройства и приспособления

СТАНДАРТНЫЕ АКСЕССУАРЫ	КОЛ-ВО	RS 350 M - MW
Зажим и кабель заземления	1	7905203505
Газовый шланг	1	7907000002
Набор принадлежностей MIG / MAG CO ₂ *	1	7920000530 / 7920000550
Набор принадлежностей для MIG / MAG Mix / Argon *	1	7920000535 / 7920000555
СТАНДАРТНЫЕ АКСЕССУАРЫ	КОЛ-ВО	RS 400 M - MW
Зажим и кабель заземления	1	7905203505
Газовый шланг	1	7907000002
Набор принадлежностей MIG / MAG CO ₂ *	1	7920000530 / 7920000550
Набор принадлежностей для MIG / MAG Mix / Argon *	1	7920000535 / 7920000555
СТАНДАРТНЫЕ АКСЕССУАРЫ	КОЛ-ВО	RS 500 M - MW
Зажим и кабель заземления	1	7905407005
Газовый шланг	1	7907000002
Набор принадлежностей MIG / MAG CO ₂ *	1	7920000540 / 7920000550
Набор принадлежностей для MIG / MAG Mix / Argon *	1	7920000545 / 7920000555

* Необходимо уточнять при оформлении заказа.

RU

ДОПОЛНИТЕЛЬНЫЕ АКСЕССУАРЫ	КОЛ-ВО	RS 350 M - MW
Нагреватель CO ₂	1	7020009002
Газовый регулятор (CO ₂)	1	7020001005
Газовый регулятор (Смешанный)	1	7020001004
Горелка Lava MIG 35 (3 м) MIG с воздушным охлаждением	1	7120035003
Горелка Lava MIG 40 (3 м) MIG с воздушным охлаждением	1	7120040003
Горелка Lava MIG 50W (3 м) MIG с водяным охлаждением	1	7120050003

ДОПОЛНИТЕЛЬНЫЕ АКСЕССУАРЫ	КОЛ-ВО	RS 400 M - MW
Нагреватель CO ₂	1	7020009002
Газовый регулятор (CO ₂)	1	7020001005
Газовый регулятор (Смешанный)	1	7020001004
Горелка Lava MIG 35 (3 м) MIG с воздушным охлаждением	1	7120035003
Горелка Lava MIG 40 (3 м) MIG с воздушным охлаждением	1	7120040003
Горелка Lava MIG 50W (3 м) MIG с водяным охлаждением	1	7120050003

ДОПОЛНИТЕЛЬНЫЕ АКСЕССУАРЫ	КОЛ-ВО	RS 500 M - MW
Нагреватель CO ₂	1	7020009002
Газовый регулятор (CO ₂)	1	7020001005
Газовый регулятор (Смешанный)	1	7020001004
Горелка Lava MIG 40 (3 м) MIG с воздушным охлаждением	1	7120040003
Горелка Lava MIG 50W (3 м) MIG с водяным охлаждением	1	7120050003

ИНФОРМАЦИЯ ПО УСТАНОВКЕ И НАСТРОЙКЕ

2.1 Контроль доставки

Убедитесь, что вместе со сварочным аппаратом доставлены все заказанные материалы. В случае отсутствия или повреждения какого-либо материала, немедленно свяжитесь с компанией, у которой был приобретен сварочный аппарат.

В стандартной коробке находятся:

- Главный агрегат и подключенный к нему сетевой кабель
- Гарантийный сертификат
- Клещи для заземления и кабель
- Гид пользователя
- Газовый шланг
- Сварочная проволока

В случае если во время получения аппарата будут выявлены повреждения, составьте протокол и сфотографируйте повреждения. Приложите протокол и фотографии к фотокопии накладной и известите транспортную компанию. В случае отсутствия ответа на ваше обращение в транспортную компанию, обратитесь в службу поддержки клиентов.

Символы и обозначения, установленные на сварочном аппарате



Процесс сварки представляет опасность для человека и окружающих предметов. Выполнение сварки должно осуществляться в соответствующих условиях с принятием необходимых мер безопасности. Ответственность за сохранность и исправность сварочного аппарата, обеспечение необходимого оснащения возлагается на специалистов. Предупредите нахождение посторонних людей вблизи сварочного аппарата.



Данный сварочный аппарат не соответствует стандарту IEC 61000-3-12. В случае если сварочный аппарат будет подключён к сети низкого напряжения, используемого для электроснабжения жилых помещений, пользователь несёт полную ответственность за обеспечение выполнения работ подключения электрических соединений сварочного аппарата электротехником или пользователем аппарата, имеющим знания и навыки по вопросам подключения сварочного аппарата.



Будьте внимательны и строго соблюдайте все символы и предупреждения безопасности, установленные на сварочном аппарате и указанные в Руководстве по эксплуатации. Запрещается удалять этикетки, установленные на сварочном аппарате.



Решётки предназначены для обеспечения вентиляции внутренних частей сварочного аппарата. С целью обеспечения хорошего охлаждения, запрещается закрывать доступ к открытым частям аппарата и размещать инородные предметы внутрь корпуса устройства.

2.2 Рекомендации по установке и эксплуатации

- Для перемещения машины следует использовать подъемные кольца или вилочные погрузчики. Не поднимайте машину с газовым баллоном. При переноске портативных сварочных аппаратов вручную необходимо соблюдать правила техники безопасности и охраны труда. На рабочем месте должны быть приняты необходимые меры для обеспечения того, чтобы процесс транспортировки осуществлялся в максимально возможном соответствии с условиями охраны труда и техники безопасности. Меры предосторожности следует принимать в соответствии с характеристиками рабочей среды и требованиями работы. Установите машину на твердую, ровную и гладкую поверхность, где она не упадет и не опрокинется.
- При работе в среде с температурой воздуха выше 40°C, выполняйте работы на сварочном аппарате при более низком сварочном токе или при более низком уровне продолжительности включения.
- Избегайте выполнения сварочных работ вне помещений при ветре или дожде. Если необходимо выполнение сварочных работ при таких погодных условиях, обеспечьте защиту сварочной зоны и сварочного аппарата завесой или тентом.
- При размещении сварочного аппарата убедитесь, что такие материалы, как стены, шторы, панели не препятствуют лёгкому доступу к органам управления и соединениям сварочного аппарата.

- Если сварка выполняется внутри помещения, обеспечьте достаточную систему вытяжки сварочного дыма. При выполнении сварки в закрытых помещениях, в связи с риском вдыхания сварочного дыма и газов, используйте респираторные системы.
- Соблюдайте уровень продолжительности включения П В сварочного аппарата, указанного на заводской табличке устройства. Частое превышение времени работы под нагрузкой может стать причиной повреждения сварочного аппарата и аннулирования гарантийного срока.
- Используйте кабель электропитания, соответствующие указанным параметрам предохранителя.
- Подключите заземляющий кабель как можно ближе к зоне сварки. Не допускайте, чтобы сварочный ток проходил помимо сварочных кабелей по оборудованию, например, непосредственно по сварочному аппарату, газовому баллону, цепи, подшипнику.
- После установки газового баллона на сварочном аппарате, немедленно установите цепь и зафиксируйте газовый баллон. Если газовый баллон не будет устанавливаться на сварочном аппарате, зафиксируйте газовый баллон цепью к стене.
- Электрическая розетка на задней панели сварочного аппарата предназначена для подогревателя CO₂. Розетка предназначена только для подсоединения подогревателя CO₂. Запрещается подсоединять к розетке для подогревателя CO₂ любые другие устройства !

2.3 Подключение Вилки Для Сети



В целях обеспечения индивидуальной безопасности запрещается использовать сетевой кабель без вилки.

- Поскольку на заводах, строительных площадках и в мастерских могут использоваться разные вилки, к сетевому кабелю не присоединена вилка. Установка вилки, соответствующей розетке, должна выполняться квалифицированным электриком. Убедитесь в наличии кабеля заземления жёлто-зеленого цвета с маркировкой ⊕.
- После соединения вилки с кабелем на этом этапе не вставляйте вилку в розетку.

2.4 Подключение Сварочного Оборудования

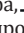

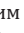
2.4.1 Подключения механизма подачи проволоки

- Установите механизм подачи проволоки на вращающийся аппарат.
- Подсоедините синий газовый шланг к выходному отверстию для газа на передней панели источника питания.
- Подсоедините кабель управления механизма подачи проволоки к разъему механизма подачи проволоки на источнике питания и опустите фиксатор.
- Вставьте вилку сварочного тока в розетку сварочного тока на источнике питания и затяните ее, повернув вправо.



Убедитесь, что соединения плотные. Ослабленные или неисправные соединения могут вызвать перегрев или утечку газа.

2.4.2 Соединения Зажима Заземления

- Розетки заземляющего кабеля с различными показателями индуктивности позволяют выполнять сварку с меньшим разбрызгиванием в широком диапазоне токов. Разъем для тока низкого напряжения и проволоки малого диаметра,  следует выбирать для тока высокого напряжения и проволоки большого диаметра  или  разъема.
- Соедините зажим заземления с одной из розеток заземления на аппарате и затяните, поворачивая направо.
- Для повышения качества сварки надёжно соедините зажим заземления с заготовкой максимально близко к участку сваривания.

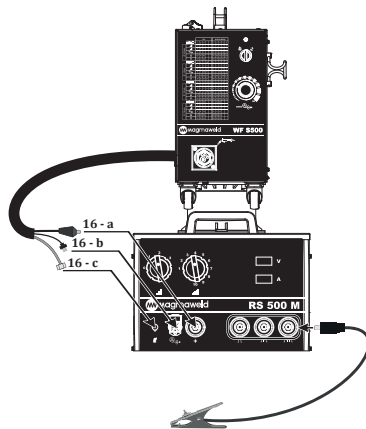


Рисунок 3 : Соединения промежуточного блока и клещей для заземления

2.4.3 Блок водяного охлаждения (для моделей MW)

- Блок водяного охлаждения, используемый для охлаждения горелки; Это замкнутая система, состоящая из радиатора, вентилятора, помпы бачка охлаждающей жидкости.
- Подсоедините шланг холодной (синий) воды промежуточного блока к выходу холодной воды в системе водяного охлаждения, а шланг горячей (красный) воды к входу горячей воды в системе водяного охлаждения.
- Сварочные аппараты Magmaweld поставляются с охлаждающей жидкостью Magmaweld, которая обеспечивает наилучшую производительность. В случае отсутствия охлаждающей жидкости откройте крышку бачка охлаждающей жидкости и добавьте охлаждающую жидкость Magmaweld, подходящую для температуры рабочей среды. Уровень охлаждающей жидкости должен находиться в пределах минимальных и максимальных значений, указанных на передней панели агрегата.
- Нельзя добавлять другую охлаждающую жидкость или воду. Различные жидкие добавки могут вызывать химические реакции или разные проблемы.
- Magmaweld не несет ответственности за риски, которые могут возникнуть в случае добавления других жидкостей. Добавление другой охлаждающей жидкости или воды в охлаждающую жидкость Magmaweld аннулирует все гарантийные обязательства.
- Если требуется использовать охлаждающую жидкость другой марки, внутренняя часть бака охлаждающей жидкости должна быть полностью пустой и в ней не должно быть остатков или жидкости.
- Установки водяного охлаждения, Машиностроение и торговля Magma Mechatronics, Inc. Он не предназначен для использования в каких-либо иных аппаратах, кроме сварочных. Агрегаты водяного охлаждения не могут работать от внешнего источника питания.

2.4.4 Подключение длинных промежуточных пакетов

- Механизм подачи проволоки и промежуточный пакет спроектированы так, чтобы его можно было снимать, что упрощает транспортировку в машинах с промежуточными пакетами длиной 10 метров и более. Оба конца длинных промежуточных пакетов одинаковы, и одинаковые соединения, сделанные на передней части устройства, должны быть выполнены с разъемами и гнездами на задней стороне механизма подачи проволоки.
- Если длина промежуточного пакета вашего аппарата составляет 10 метров или больше, соедините промежуточный пакет и механизм подачи проволоки следующим образом.

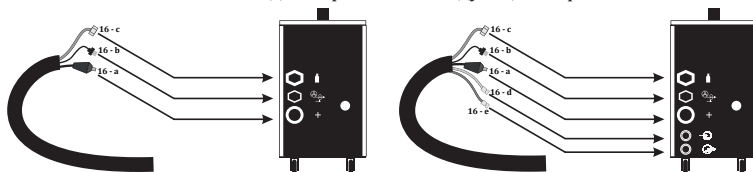
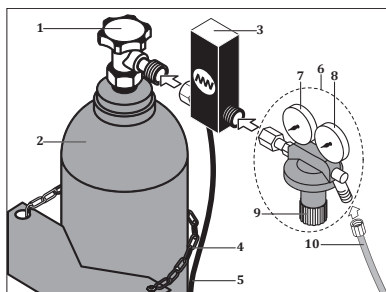


Рисунок 4 : Соединения механизма подачи проволоки с длинным промежуточным пакетом

2.4.5 Подключение Газового Оборудования

- Если вы собираетесь использовать газовый баллон на платформе для транспортировки газовых баллонов на машине, поместите сюда баллон с газом и немедленно закрепите его цепью.
- Если вы не собираетесь ставить газовый баллон на машину, прикрепите его к стене с помощью цепи.
- Используйте регуляторы и нагреватели, соответствующие стандартам, для безопасной работы и достижения наилучших результатов.
- Убедитесь, что размер соединения шланга регулятора газа, который вы будете использовать, составляет 3/8 дюйма.
- Откройте вентиль газового баллона, не приближая голову и лицо к выпускному отверстию клапана баллона, и держите его открытым в течение 5 секунд. Таким образом будут выброшены возможные отложения и грязь.
- Если будет использоваться нагреватель CO₂, сначала подключите нагреватель CO₂ к газовому баллону. После подключения газового регулятора к нагревателю CO₂, подключите нагреватель CO₂ к розетке нагревателя CO₂ на задней панели машины.
- Если нагреватель CO₂ не будет использоваться, подсоедините газовый регулятор к газовому баллону.
- Подсоедините один конец шланга баллона к регулятору газа и затяните хомут. Другой конец подсоедините к впускному отверстию для газа на задней части машины и затяните гайку.
- Откройте вентиль газового баллона и убедитесь, что баллон полон и нет ли утечек в газовом тракте. Если вы слышите звук и / или запах газа как признак утечки, проверьте свои соединения и устраните утечку.



- 1- Клапан газового баллона
- 2- Газовый баллон
- 3- Газовый нагреватель CO₂
- 4- Цепь
- 5- Кабель питания нагревателя CO₂
- 6- Газовый регулятор
- 7- Манометр
- 8- Расходомер
- 9- Клапан управления потоком
- 10- Газовая трубка

Рисунок 5 : Соединение Газового Баллона - Подогревателя - Регулятора

ИНФОРМАЦИЯ ПО ЭКСПЛУАТАЦИИ

3.1 Подключение к сети



При установке вилки в розетку убедитесь, что выключатель аппарата находится в положении "0".

- Перед подключением аппарата к сети проверьте 3 фазы с помощью вольтметра. Убедившись, что между каждой фазой имеется 400 В (± 40 В), вставьте вилку в розетку.
- Включите машину с помощью выключателя.
- После того, как вы услышите звук вентилятора и увидите включение индикаторов вольтметра и амперметра, повторно переведите выключатель в положение "0" и выключите аппарат.

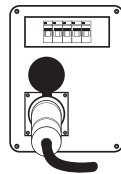


Рисунок 6 : Подключение к сети

3.2 Подготовка и подключение горелки

- Используйте горелку, соответствующую мощности вашего аппарата и запланированному вами режиму сварки.
- Убедитесь, что диаметры спирали и контактного сопла в горелке совпадают с диаметром используемой сварочной проволоки. При необходимости замените спираль и контактное сопло.
- Для замены спирали снимите форсунку, контактное сопло и адаптер.

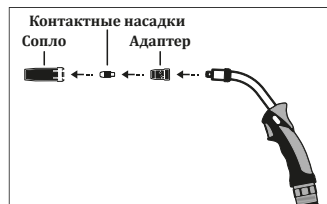


Рисунок 7 : Демонтаж форсунки и контактного сопла с горелки

- Затем при помощи гаечного ключа отверните гайку спирали со стороны разъема горелки, установите горелку в прямом положении и демонтируйте спираль, находящуюся в горелке.
- Установите в горелку новую спираль, вставьте гайку спирали и затяните её.

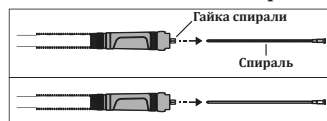


Рисунок 8 : Демонтаж и установка спирали

- Отрежьте излишки спирали от головки горелки при помощи плоскогубцев-бокорезов на конце газораспределителя (держателя контактного сопла), как показано на рисунке, для устранения зазора между спиралью и контактным соплом. Выполните механическую зачистку обрезанного участка, затупив его и убрав заусеницы.

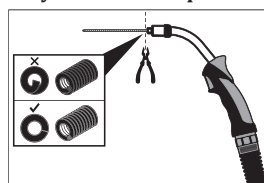


Рисунок 9 : Отрезание излишка спирали

- Подсоедините резак к разъему резака и плотно затяните гайку (T1).
- Если в вашем аппарате есть система водяного охлаждения, и вы собираетесь использовать резак с водяным охлаждением, подсоедините разъем для холодной воды (синий - T2) резака. Подключите разъем горячей воды (красный - T3) горелки к впускному отверстию для горячей воды на устройстве подачи проволоки.

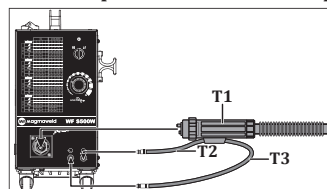
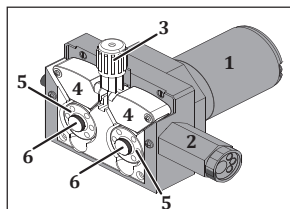


Рисунок 10 : Соединение горелки

3.3 Выбор и замена катушек сварочной проволоки

- Откройте крышку отсека подачи проволоки. Вы увидите систему подачи проволоки, оснащённую 4-мя роликами.



- 1- Двигатель
- 2- Евроразъём
- 3- Ручка прижимного валика
- 4- Прижимные валики
- 5- Ролики механизма подачи проволоки
- 6- Винты блокировки роликов

Рисунок 11 : Система подачи проволоки

- Используйте ролики подачи проволоки, соответствующие материалу и диаметру используемой вами сварочной проволоки. Для порошковой проволоки треугольного (V-образного) сечения из стали и нержавеющей стали используйте V-профилированные ролики подачи проволоки с зубцами, а для алюминиевой проволоки U-профилированные ролики для подачи проволоки.
- При необходимости в замене роликов подачи проволоки, потяните рычаг прижимного валика на себя и поднимите прижимные ролики, а затем демонтируйте винты блокировки роликов подачи проволоки и имеющиеся ролики.

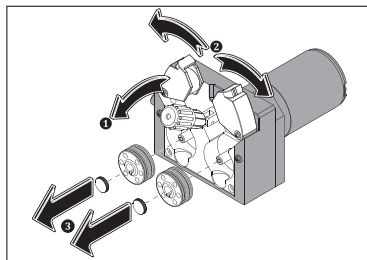
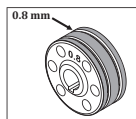


Рисунок 12 : Демонтаж роликов подачи проволоки



Обе стороны роликов маркируются в соответствии с диаметром используемой проволоки.

Установите ролики на фланец так, чтобы показатель диаметра используемой вами проволоки был на обращённой к вам стороне.

- После установки используемых вами роликов повторно опустите прижимные валики, поднимите рычаг прижимного ролика и заблокируйте его винтом блокировки роликов.

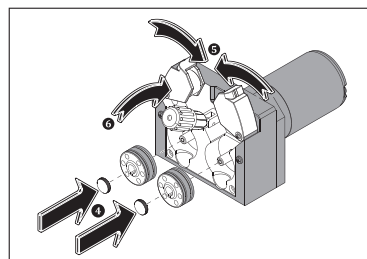


Рисунок 13 : Установка роликов подачи проволоки

3.4 Установка катушки для подачи проволоки и подача проволоки

- Открутите и демонтируйте винт системы подачи проволоки. Вставьте катушку подачи сварочной проволоки на вал системы подачи проволоки таким образом, чтобы проволока проходила параллельно полу снизу, после чего повторно закрутите винт.

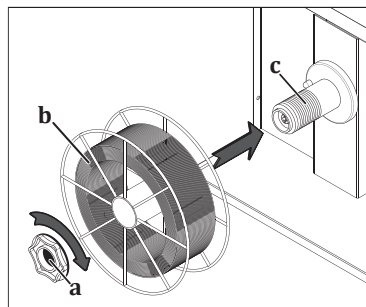
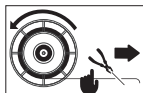


Рисунок 14 : Установка корзины для подачи проволоки



Чрезмерная затяжка гайки затруднит подачу проволоки и может привести к неисправностям. Недостаточная затяжка гайки может привести к приостановке подачи проволоки, высвобождению катушки и спутыванию проволоки. Поэтому затяжка гайки не должна быть ни чрезмерной, ни недостаточной.



- Опустите рычаг прижимного валика на катушках подачи проволоки и освободите прижимные ролики.
- Снимите сварочную проволоку с участка соединения на катушке и обрежьте конец с помощью плоскогубцев-бокоров.



При высвобождении конца проволоки проволока может спружинить и нанести вред вам и окружающим.

- Не отпуская проволоку, протяните её через направляющую катушек и через катушки в горелку.

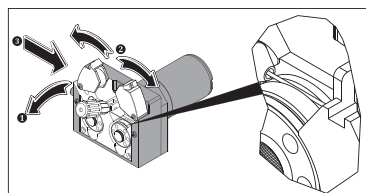
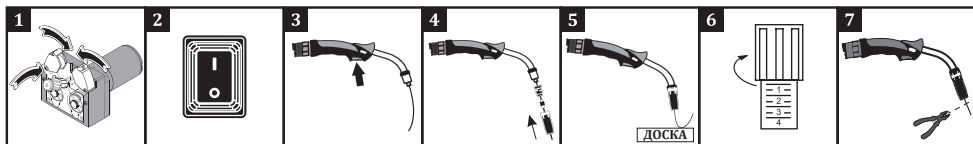


Рисунок 15 : Протяжка проволоки на катушки



- Нажмите на прижимные валики и поднимите прижимной рычаг **1**.
- Включите аппарат, переведя выключатель в положение "1" **2**.
- Нажатиями на курок обеспечьте выход проволоки из наконечника горелки, убедитесь в свободном вращении катушки сварочной проволоки, нажмите и отпустите курок несколько раз для выявления какого-либо ослабления в обмотке **3**. При выявлении ослабления и/или разматывания обмотки, немного затяните винт системы подачи проволоки.
- После выхода проволоки из наконечника горелки повторно установите в горелку форсунку и контактное сопло **4**.
- Протяните проволоку на доску **5**, выполните регулировку прижатия проволоки **6** и обрежьте конец проволоки **7**.

- A:** Соответствующее прижатие проволоки и размер канала
B: Чрезмерное зажатие прижимного рычага приводит к нарушениям формы проволоки.
C: Чрезмерное зажатие прижимного рычага приводит к повреждению поверхности ролика.
D: Размер канала ролика слишком мал для диаметра проволоки. Деформация формы проволоки.
E: Недостаточный размер канала катушки для используемой проволоки. Подача проволоки в зону сварки невозможна.

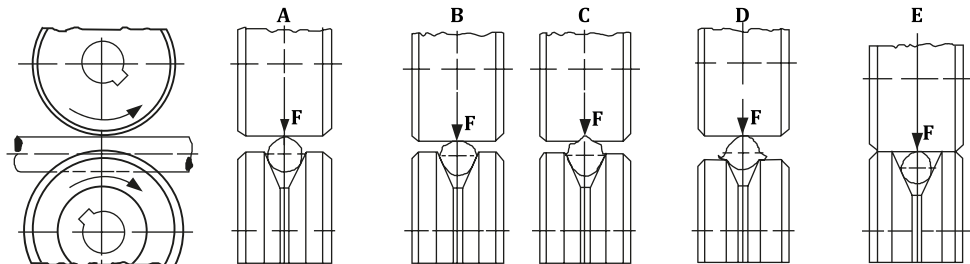


Рисунок 16 : Ошибки регулировки давления и выбора золотника

3.5 Регулировка расхода газа



Поднимите рычаг прижима ролика подачи проволоки и выполните регулировку газа и проверьте подачу газа !

- При помощи регулятора расхода газа отрегулируйте количество подаваемого газа.
- Практический метод: расход газа (CO₂, Ar, смесь) должен быть в 10 раз больше диаметра проволоки. Например, если диаметр проволоки составляет 0,9 мм, расход газа можно установить из расчета $10 \times 0,9 = 9$ л/мин.
- Более точная регулировка расхода газа может быть выполнена в соответствии с данными, указанными в таблице.
- После настройки расхода газа поднимите прижимной рычаг ролика и закройте крышку блока подачи проволоки.

	Проволока из нелегированной стали и с металлическим сердечником	Сварочная проволока с порошковым сердечником	Нержавеющая сталь	Алюминий
Диаметр проволоки (мм)	0,8	7 л/мин.	8 л/мин.	8 л/мин.
	0,9	9 л/мин.	8 л/мин.	9 л/мин.
	1,0	10 л/мин.	9 л/мин.	10 л/мин.
	1,2	12 л/мин.	11 л/мин.	12 л/мин.
	1,6	16 л/мин.	15 л/мин.	16 л/мин.

Примечание: Рекомендуемые значения в стандартных условиях.

3.6 Использование режимов запуска

- Положение-2 работает так, как показано на Рисунке 17.
- Положение-4 работает так, как показано на Рисунке 18. Положение-4 обеспечивает сварщику комфортную эксплуатацию при длительной и автоматической сварке.
- В режиме Punta сварка начинается с момент нажатия на курок, продолжается в течение установленного времени On Time и находится в режиме ожидания в течение времени Off Time. Процедура продолжается в аналогичном порядке до отпускания курка, сварка прекращается при отпускании курка.



Рисунок 17 : Использование положения-2

Рисунок 18 : Использование положения-4

3.7 Подготовка и завершение сварочных работ

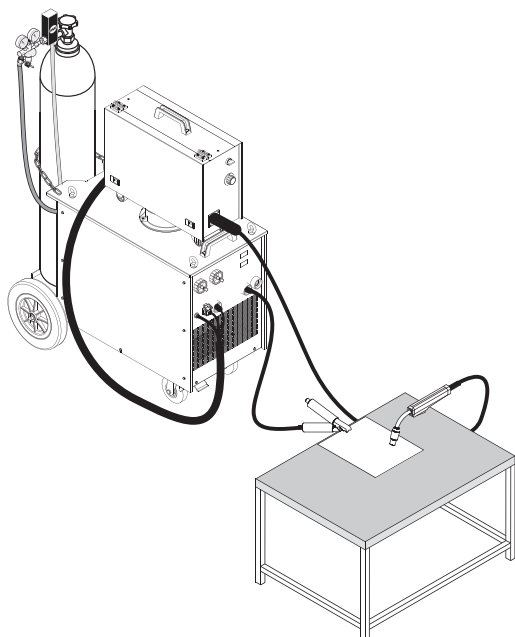


Рисунок 19 : Ссылки на ресурсы

- Определите «Степень грубой настройки», «Степень точной настройки» и скорость подачи проволоки с помощью таблицы сварочных параметров на аппарате по диаметру используемой проволоки, типу газа и толщине свариваемого материала, после чего установите эти параметры на аппарате.

	Диаметр проволоки
	Толщина металла
	Степень грубой настройки напряжения
	Степень точной настройки напряжения
	Скорость подачи проволоки
	Ток
	Напряжение

- Вы можете приступить к сварке после того, как убедитесь в соблюдении всех требований безопасности и принятии необходимых мер предосторожности.
- Во время выполнения сварочных работ показания текущего значения сварочного тока отображаются на амперметре.



При невыполнении сварки оставьте горелку, разместив ее таким образом, чтобы она не касалась заготовки, сварочных клещей, кожуха аппарата, и оставьте курок опущенным.

- После окончания сварочных работ ожидайте некоторое время охлаждения аппарата и переведите выключатель в положение "0". Извлеките вилку из розетки и закройте газовый баллон.

3.8 Параметры Сварки

- Параметры сварки получены при горизонтальной сварке сплошной проволокой в лабораторных условиях. Значения могут варьироваться в зависимости от применения и рабочих условий.

RS 350 M /MW

		CO ₂				Ar/CO ₂ (80/20)				
		1	2	3	5	1	2	3	5	5
Ø : 0,8 mm		1	2	3		1	2	3	5	5
		1	2	2	3	1	2	2	2	3
		4	1	5	1	3	2	4	7	2
		5	7	12	16	5	9	11	16	16
	A	65	90	130	160	68	121	130	160	180
V	18	20	24	27	17.3	20.5	22	25.5	28.3	
Ø : 1,0 mm		2	3	5	10	2	3	5	5	10
		2	2	3	3	2	2	2	3	3
		3	7	2	4	3	6	7	1	2
		6.5	11	15	15	9	12	13	14	17
	A	100	150	195	200	135	170	180	200	230
V	22	26	28	31	21	25	26	27.5	29	
Ø : 1,2 mm		3	5	10	12	14	3	5	5	10
		2	2	3	3	3	2	2	2	3
		3	7	2	3	4	1	4	7	2
		7	9.5	12	13	14.2	7	8.5	10	12
	A	160	200	240	240	260	160	200	210	260
V	22	26	29	30.5	32	19.5	22	26	29	

RS 400 M /MW

		CO ₂				Ar/CO ₂ (80/20)				
		1	2	3		1	2	3	5	5
Ø : 0,8 mm		1	1	2		1	1	2	2	3
		5	7	3		3	7	1	6	7
		5	6	9		6.5	9	10.5	13	20
	A	60	80	100		90	100	110	140	190
	V	20	21	22.5		18.5	20	20.5	24	30.5
Ø : 1,0 mm		2	3	5	10	2	3	5	5	10
		2	2	3	3	1	2	3	4	4
		2	5	1	6	7	3	1	1	5
		4.5	6	9	12	6	7	11	15	20
	A	100	110	150	200	110	140	170	230	290
V	22	24	25	30	20	21	25	31	37	
Ø : 1,2 mm		3	5	10	12	14	3	5	5	10
		2	3	3	3	4	2	3	4	4
		3	1	5	7	1	2	1	1	6
		4	6	8	10	11	5	7	11	15
	A	120	160	220	230	250	140	200	250	350
V	22	25	29	30	31	21	24	31	37	

RS 500 M /MW

		CO ₂				Ar/CO ₂ (80/20)				
		1	2	3		1	2	3	5	5
Ø : 0,8 mm		1	1	1		1	1	1	1	3
		3	5	7		1	2	4	9	1
		4	6	7		5	6	8	10	21
	A	60	70	90		70	85	100	120	200
	V	20	21	22		19	19	20	23	33
Ø : 1,0 mm		2	3	5	10	2	3	5	5	10
		1	1	2	2	1	1	2	2	3
		6	8	1	5	5	7	1	10	2
		5	7	8.5	11	6	7	10	14	18
	A	90	120	140	170	120	140	170	220	270
V	22	22	24	27	20	21	24	31	33	
Ø : 1,2 mm		3	5	10	12	14	3	5	5	10
		1	2	2	2	2	1	1	2	3
		7	1	5	8	10	6	9	9	1
		4	5	9	10	12	5	7	10	11
	A	120	140	190	230	250	140	180	250	280
V	22	24	26	29	31	20	22	30	32	
Ø : 1,6 mm		5	10	20		5	10	20		
		2	3	3		2	3	3		
		1	1	3		4	3	5		
		4	8	10		6	9	11		
	A	140	300	350		250	380	440		
V	24	32	34		24	34	36			



ТЕХОБСЛУЖИВАНИЕ И УСТРАНЕНИЕ НЕИСПРАВНОСТЕЙ

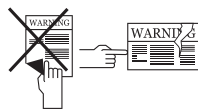
- Техобслуживание и ремонт сварочного аппарата должны выполняться только квалифицированными специалистами. Компания не несёт ответственности в связи с аварийными ситуациями, возникающими в результате выполнения техобслуживания и ремонта лицами без соответствующей квалификации.
- Запасные части, используемые во время ремонта, можно приобрести в авторизованных техслужбах. Использование оригинальных запасных частей обеспечит продление срока эксплуатации и предупредит снижение рабочих показателей сварочного аппарата.
- Обращайтесь только к производителю или в авторизованные техслужбы, указанные производителем.
- В течение гарантийного срока выполнение любых вмешательств в конструкцию сварочного аппарата без предварительного согласия производителя может стать причиной аннулирования всех гарантийных обязательств производителя.
- Во время выполнения любых процедур техобслуживания и ремонта обязательно соблюдайте правила техники безопасности.
- Перед началом выполнения любых видов процедур техобслуживания или ремонта отсоедините вилку сетевого кабеля сварочного аппарата и выждите 10 секунд для разряда напряжения на конденсаторах.

4.1 Техобслуживание



Один раз в 3 месяцев

- Запрещается удалять этикетки с поверхности сварочного аппарата. Изношенные/повреждённые этикетки замените на новые. Этикетки можно приобрести в авторизованных техслужбах.
- Проверьте горелку, зажимы и кабели. Обратите внимание на состояние и прочность соединенных частей. Повреждённые/неисправные части замените на новые. Категорически запрещается выполнять ремонт/удлинение кабеля.
- Убедитесь, что имеется достаточная площадь для обеспечения вентиляции.
- Перед началом сварки проверьте расходомером скорость расхода газа на конце горелки. Если расход газа высокий или низкий, установите уровень расхода в соответствии со сварочным процессом.



Один раз в 6 месяцев

- Очистите и затяните крепежные детали (болты, гайки т.п.).
- Проверьте кабели зажима электрода и зажима заземления.
- Откройте боковые крышки оборудования и очистите их сухим воздухом под низким давлением. Не подавайте сжатый воздух на электронные компоненты с близкого расстояния.
- Регулярно меняйте воду в емкости для воды блока водяного охлаждения, используя нежесткую, чистую воду с добавлением антифриза для защиты от замерзания.



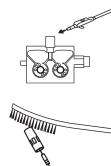
ПРИМЕЧАНИЕ: Вышеуказанные периоды являются максимальными периодами для выполнения техобслуживания в случаях, если сварочный аппарат работает без каких-либо сбоев. В зависимости от интенсивности работ и загрязнения рабочей среды, процедуры техобслуживания, указанные выше, должны выполняться с более частой периодичностью



Категорически запрещается выполнять сварочные работы при демонтированных крышках корпуса сварочного аппарата.

4.2 Внеплановое техническое обслуживание

- Механизм подачи проволоки необходимо содержать в чистоте и не наносить смазку на поверхность катушки.
- Каждый раз во время замены сварочной проволоки в обязательном порядке проводите очистку механизма от остатков материалов с помощью сухого воздуха.
- Необходимо производить регулярную очистку горелки от остатков расходных материалов. При необходимости, следует произвести замену. Для продления срока службы этих средств используйте оригинальную продукцию.



RU

4.3 Устранение неисправностей

В таблицах ниже показаны возможные неисправности и рекомендуемые способы их устранения.

Неисправность	Причина Неисправности	Необходимые Действия
Аппарат не работает	• Аппарат не подключен к сети или вилка не вставлена в розетку	• Убедитесь, что вилка вставлена в розетку
	• Неправильно выполнено подключение к сети	• Проверьте правильность подключения к сети
	• Неисправность в предохранителях сети питания, сетевом кабеле или вилке	• Проверьте предохранители сети питания, сетевой кабель и вилку
	• Сработал предохранитель	• Проверьте предохранитель
	• Неисправен разъем	• Проверьте разъем
Не работает двигатель подачи проволоки	• Сработал предохранитель	• Проверьте предохранитель
	• Неисправность электронной платы	• Свяжитесь с уполномоченным сервисным центром
Двигатель подачи проволоки работает, но проволока не продвигается	• Неправильно подобраны катушки подачи проволоки для диаметра проволоки	• Выберите подходящую катушку подачи проволоки
	• Слишком слабый прижим в катушке подачи проволоки	• Отрегулируйте прижимной ролик
Плохая сварка	• Проблема в соединении зажима заземления аппарата и заготовки	• Проверьте крепко ли держит зажим заземления заготовку
	• Изношены кабели и точки подключения	• Убедитесь в том, что целостность кабелей не нарушена и точки подключения не подверглись износу
	• Ошибочно выбраны параметры и процесс	• Проверьте правильность выбора параметров и процесса. Выполните следующие действия в отношении выбранного процесса

Неисправность	Причина Неисправности	Необходимые Действия
Плохая сварка	<ul style="list-style-type: none"> • Неоткрытая или неправильная подача газа 	<ul style="list-style-type: none"> • Убедитесь, что подача газа открыта, убедитесь, что подача газа осуществляется правильным образом
	<ul style="list-style-type: none"> • Повреждена сварочная горелка 	<ul style="list-style-type: none"> • Убедитесь в исправности сварочной горелки
	<ul style="list-style-type: none"> • Сварочные материалы выбраны неправильно или подверглись износу 	<ul style="list-style-type: none"> • Необходимо выбрать правильные сварочные материалы и регулярно очищать горелку от остатков сварочных материалов. Ошибочно выбранные или износившиеся сварочные материалы необходимо заменить
	<ul style="list-style-type: none"> • Неправильные настройки параметра прижатия прижимных валиков 	<ul style="list-style-type: none"> • Необходимо выполнить настройку параметра прижимного валика в правильной форме
Не работает вентилятор	<ul style="list-style-type: none"> • Сработал предохранитель 	<ul style="list-style-type: none"> • Проверьте предохранитель
	<ul style="list-style-type: none"> • Неисправен двигатель вентилятора 	<ul style="list-style-type: none"> • Свяжитесь с уполномоченным сервисным центром
Аппарат шумит при работе	<ul style="list-style-type: none"> • Неисправен разъем 	<ul style="list-style-type: none"> • Свяжитесь с уполномоченным сервисным центром
Сварочный ток нестабилен и/или не отрегулирован	<ul style="list-style-type: none"> • Неисправность диодной группы 	<ul style="list-style-type: none"> • Свяжитесь с уполномоченным сервисным центром
Не работает розетка подогревателя	<ul style="list-style-type: none"> • Сработал предохранитель 	<ul style="list-style-type: none"> • Проверьте предохранитель. Свяжитесь с уполномоченным сервисным центром

4.4 Таблица предохранителей

Страхование	Едва	Характерная черта	Цепь защищена
F1	10 A	Быстрый	Двигатель подачи проволоки и карта
F2	1 A	С задержкой	Кулер вентилятор
F3	1 A	Быстрый	Нагреватель CO ₂
F4	1 A	Быстрый	Плата вольтметра / амперметра

4.5 Коды неисправностей

Код неисправности	Неисправность	Причина	Устранение
Eгг	Тепловая защита (Начальный)	<ul style="list-style-type: none"> • Время безотказной работы вашей машины могло быть превышено 	<ul style="list-style-type: none"> • Дайте машине остыть, немного подождите. Если неисправность исчезнет, попробуйте использовать его при более низких значениях силы тока • Если проблема не исчезнет, обратитесь в авторизованный сервисный центр
		<ul style="list-style-type: none"> • Вентилятор может не работать 	<ul style="list-style-type: none"> • Визуально проверьте, работает вентилятор или нет • Если проблема не исчезнет, обратитесь в авторизованный сервисный центр
		<ul style="list-style-type: none"> • Передняя часть каналов впуска и выпуска воздуха может быть заблокирована 	<ul style="list-style-type: none"> • Откройте воздухопроводы • Если проблема не исчезнет, обратитесь в авторизованный сервисный центр
		<ul style="list-style-type: none"> • Рабочая среда машины может быть очень жаркой или душной 	<ul style="list-style-type: none"> • Убедитесь, что рабочая среда машины не слишком жаркая или душная • Если проблема не исчезнет, обратитесь в авторизованный сервисный центр
	Ошибка блока водяного охлаждения	<ul style="list-style-type: none"> • Возможно, неисправен блок водяного охлаждения 	<ul style="list-style-type: none"> • Проверьте разъем блока водяного охлаждения и входы / выходы горелки • Убедитесь, что обеспечивается циркуляция воды • Если проблема не исчезнет, обратитесь в авторизованный сервисный центр

ПРИЛОЖЕНИЯ

5.1 Точные настройки в приводном устройстве

Вы можете выполнить точную настройку на панели над механизмом подачи проволоки.

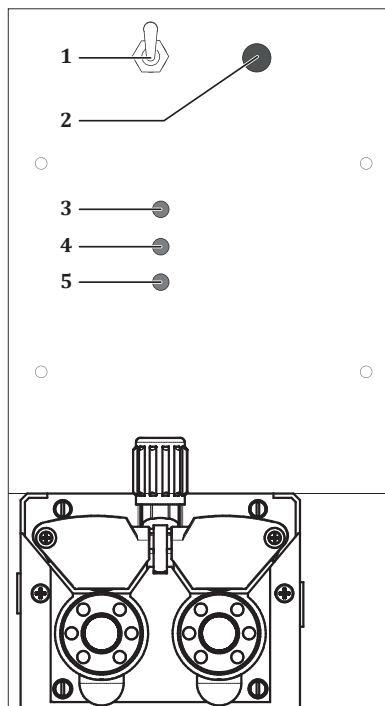
1- Переключатель плавного пуска : когда переключатель находится в положении ON, подача проволоки начинается с низкой скорости и продолжается с установленной скоростью после того, как проволока коснется заготовки и начнется сварочная дуга. Когда переключатель находится в положении ВЫКЛ, подача проволоки начинается с заданной скоростью.

2- Кнопка бесплатной подачи проволоки : пока кнопка нажата, проволока работает, газовый клапан не работает. Вы можете использовать эту кнопку, чтобы ввести проволоку в резак.

3- Триммер для регулировки времени пост-дрессельной заслонки : поверните подстроечный резистор по часовой стрелке с помощью отвертки с плоским лезвием, чтобы увеличить время подвода газа, поверните подстроечный резистор против часовой стрелки, чтобы уменьшить его. Время продувки 0 - 3 сек. можно регулировать в пределах диапазона.

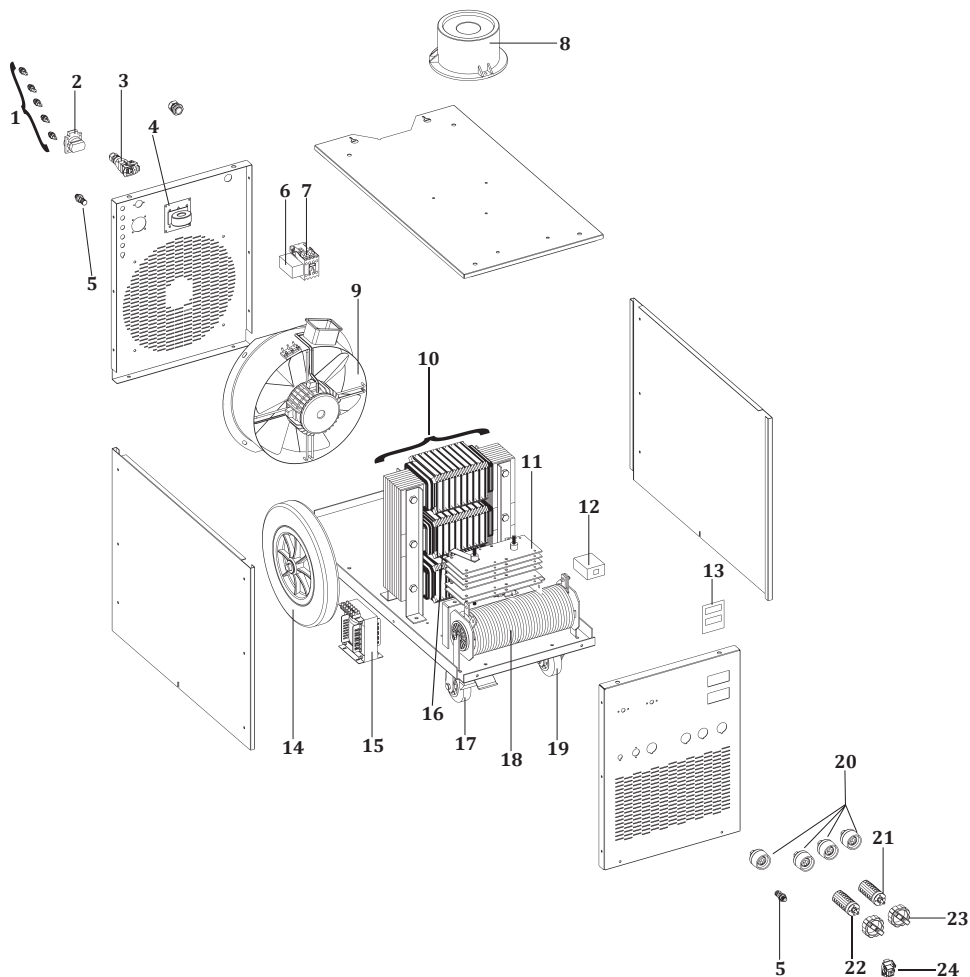
4- Триммер регулировки времени переднего дросселя : поверните триммер по часовой стрелке с помощью отвертки с плоским лезвием, чтобы увеличить время предварительного открытия дроссельной заслонки, поверните триммер против часовой стрелки, чтобы уменьшить его. Время предварительной подачи газа 0 - 3 сек. можно регулировать в пределах диапазона.

5- Регулировка триммера отжига : поверните подстроечный горшок по часовой стрелке с помощью отвертки с плоским жалом, чтобы увеличить продолжительность постоянного тока после окончания подачи проволоки, поверните подстроечный горшок против часовой стрелки, чтобы уменьшить его. Время отжига 0 - 1 сек. можно регулировать в пределах диапазона.



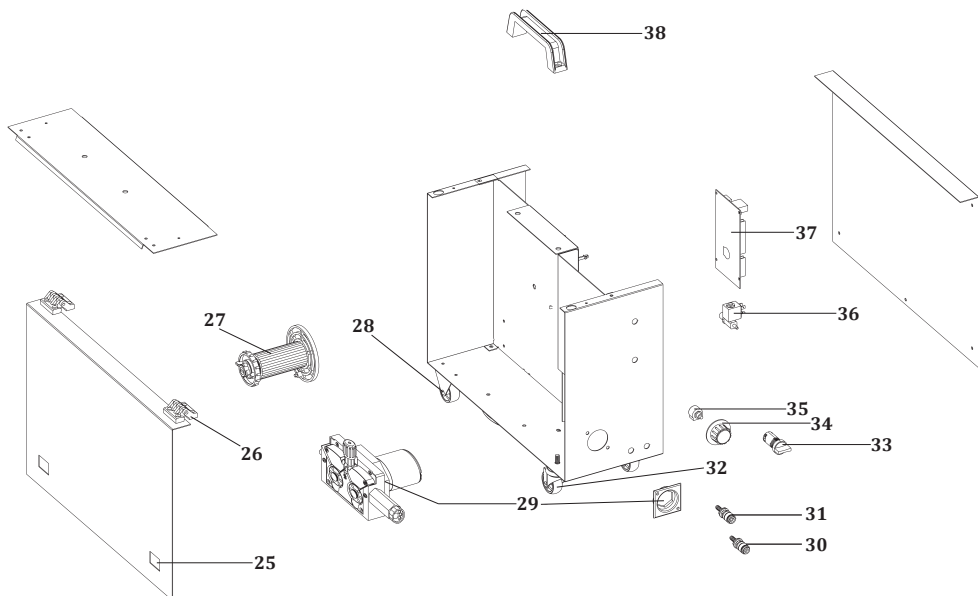
5.2 Списки запасных частей

Список запасных частей блока питания



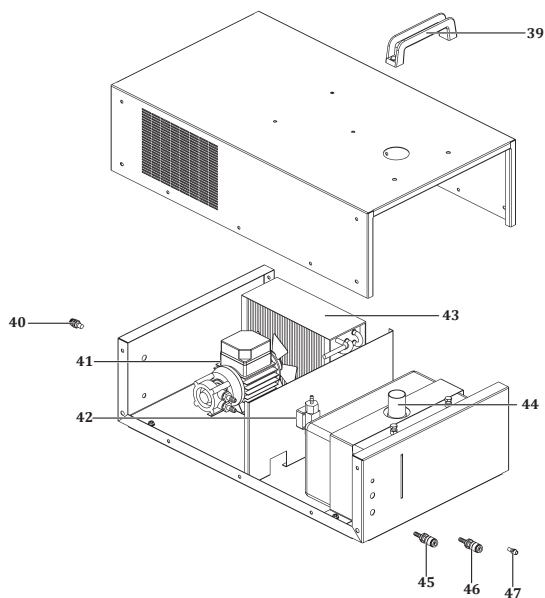
№	ОПИСАНИЕ	RS 350 M / MW	RS 400 M / MW	RS 500 M / MW
1	Стекланный держатель предохранителя	A300190001	A300190001	A300190001
2	Однофазная машинная розетка	A377100004	A377100004	A377100004
3	Соединитель	A378002003	A378002003	A378002003
4	Электронная плата RS Filter	K405000224	K405000224	K405000262
5	Газовый сальник	A256006067	A256006067	A256006067
6	Фильтр ЭМС	K405000902	K405000902	K405000902
7	соединитель	A311000032	A311000032	A311000050
8	Роторный аппарат	K090200002	K090200002	K090200002
9	Кулер вентилятор	A250001002	A250001002	A250001002
10	Главный трансформатор	K304000065	K304100108	K304100110
11	Диодная группа	A430901010	A430901011	A430901012
12	Датчик эффекта Холла	A834000002	A834000002	A834000003
13	Плата амперметра вольтметра	K405000018	K405000018	K405000018
14	Пластиковое колесо	A225222012	A225222012	A225222012
15	Трансформатор управления	K304400024	K304400024	K304400024
16	Первичная - вторичная катушка	K302200064	K302200208	K302200210
17	Пластиковое поворотное колесо	A225220108	A225220108	A225220108
18	Дроссельная катушка	K304500041	K304500048	K304500087
19	Пластиковое поворотное колесо	A225220010	A225220010	A225220010
20	Сварочная розетка	A377900106	A377900106	A377900106
21	Переключатель Рако	A308032020	A308032070	A308033104
22	Переключатель Рако	A308032022	A308032074	A308033112
23	Кнопка переключения	A308900004	A308900004	A308900004
24	Соединитель	A378002002	A378002002	A378002002

Список запасных частей механизма подачи проволоки



№	ОПИСАНИЕ	КОД МАТЕРИАЛА
		RS 350 MW - RS 400 MW - RS 500 MW
25	Замок крышки	A229300006
26	Петля	A229200005
27	Система держателя катушки подачи проволоки	A229900003
28	Листовые фиксированные колеса	A225101004
29	Система подачи проволоки	K309002210
30	Быстроразъемное соединение Красный	A245700003
31	Быстроразъемное соединение Синий	A245700002
32	Поворотное колесо для листов	A225100004
33	Кнопка защелки	A310030002
34	Кнопка потенции	A229500002
35	Потенциометр	A410810004
36	Газовый клапан	A253006014
37	Электронная карта	K405000351
38	Бакелитовый рукав U	A229102002

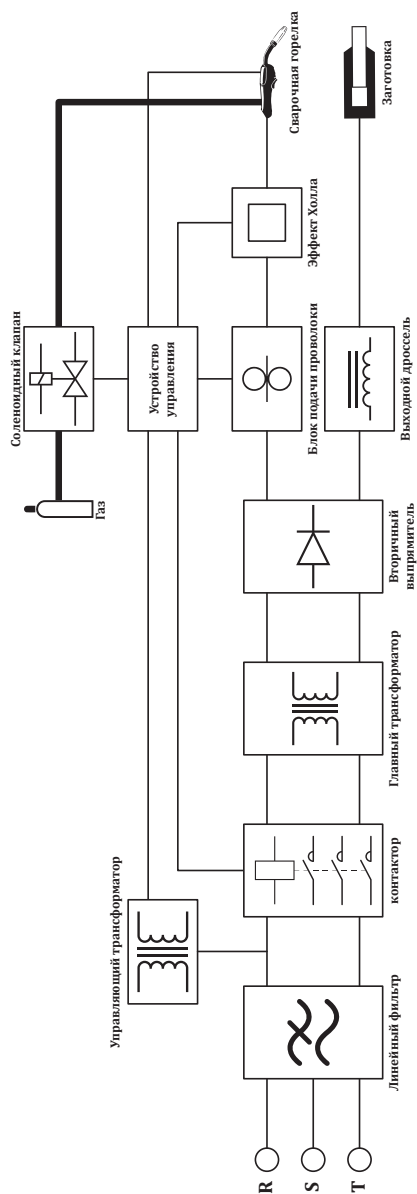
Перечень запасных частей блока водяного охлаждения



№	ОПИСАНИЕ	КОД МАТЕРИАЛА
		RS 350 MW - RS 400 MW - RS 500 MW
39	Бакелитовый рукав U	A229102002
40	Стекланный держатель предохранителя	A300190001
41	Помпа	A240000004
42	Переключатель потока	A314210018
43	Радиатор	A260000004
44	Водный танк	A249000003
45	Быстроразъемное соединение Синий	A245700002
46	Быстроразъемное соединение Красный	A245700003
47	Сигнальная лампа неоновая	A310310002

5.3 Схемы подключения

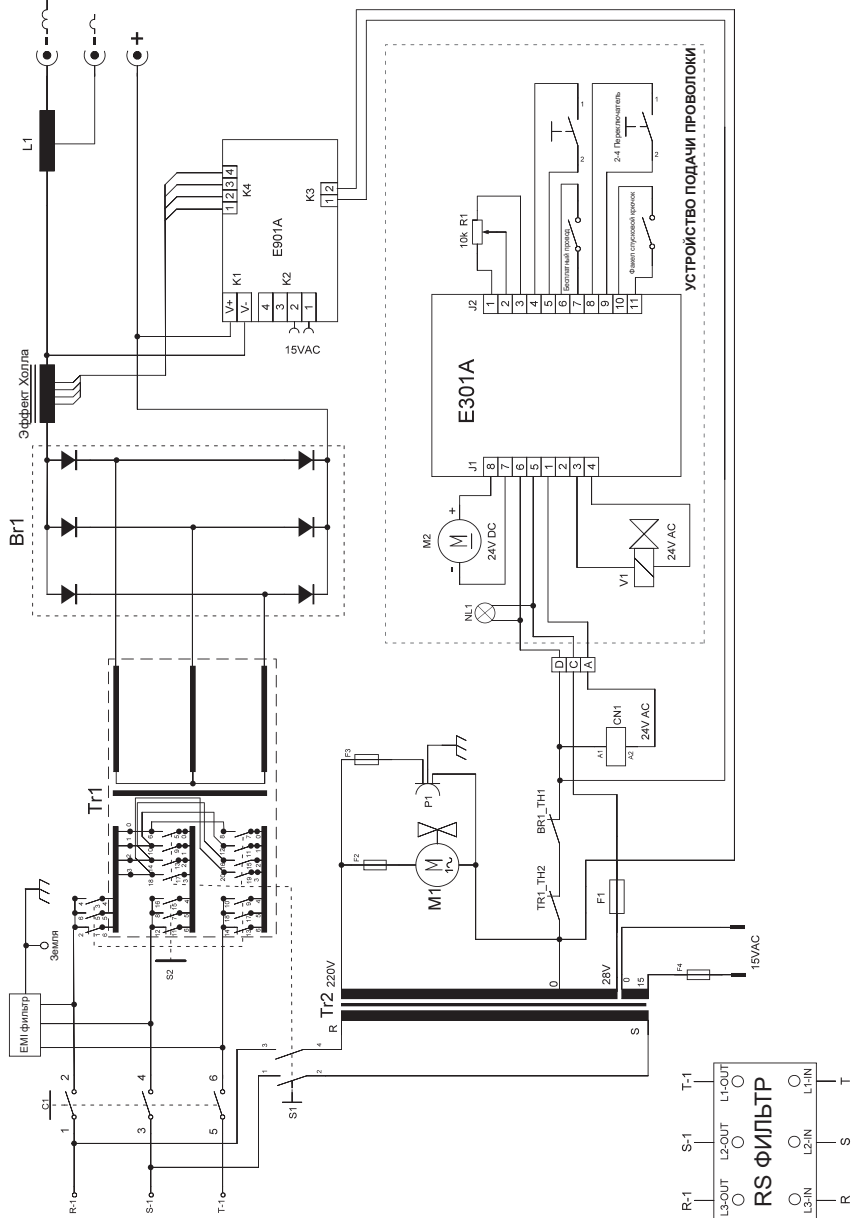
Блок-схема



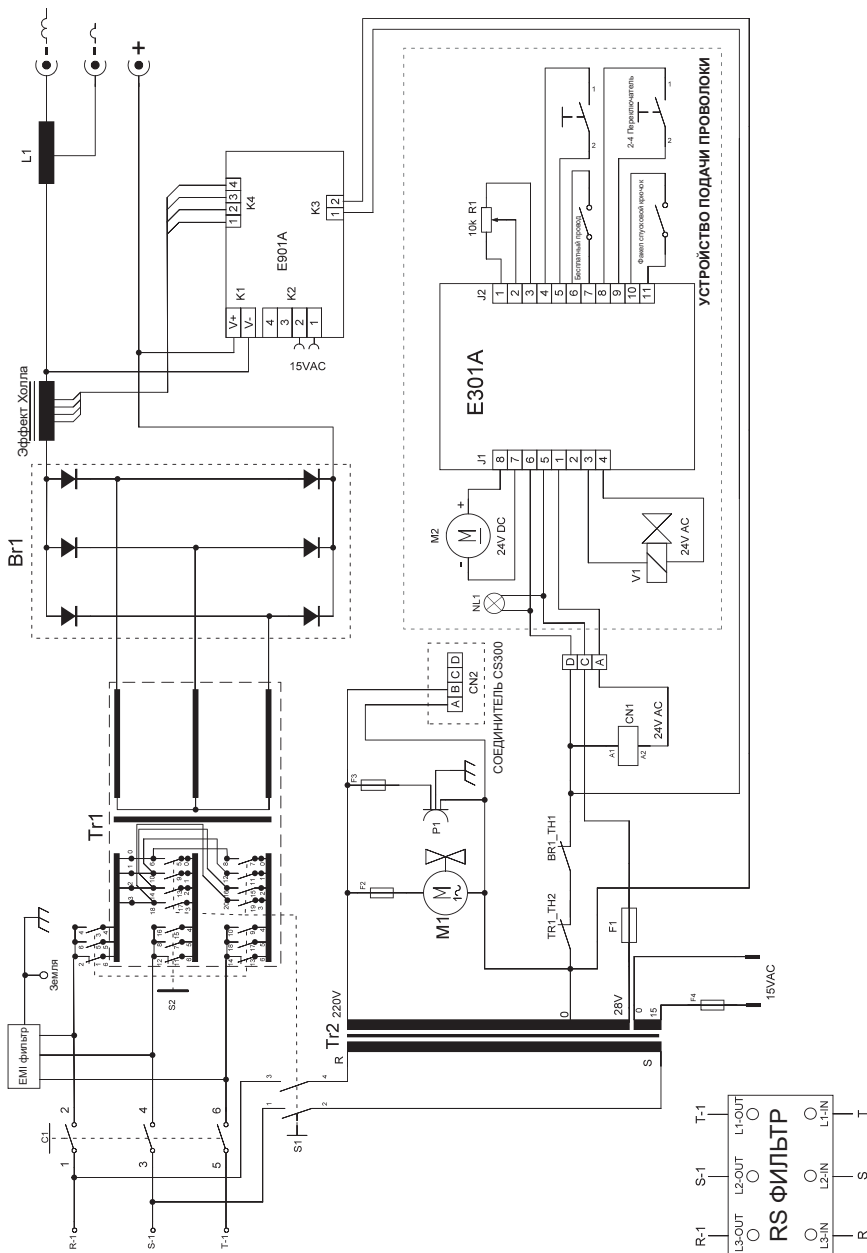
Принципиальные схемы

RS 350 M

RU



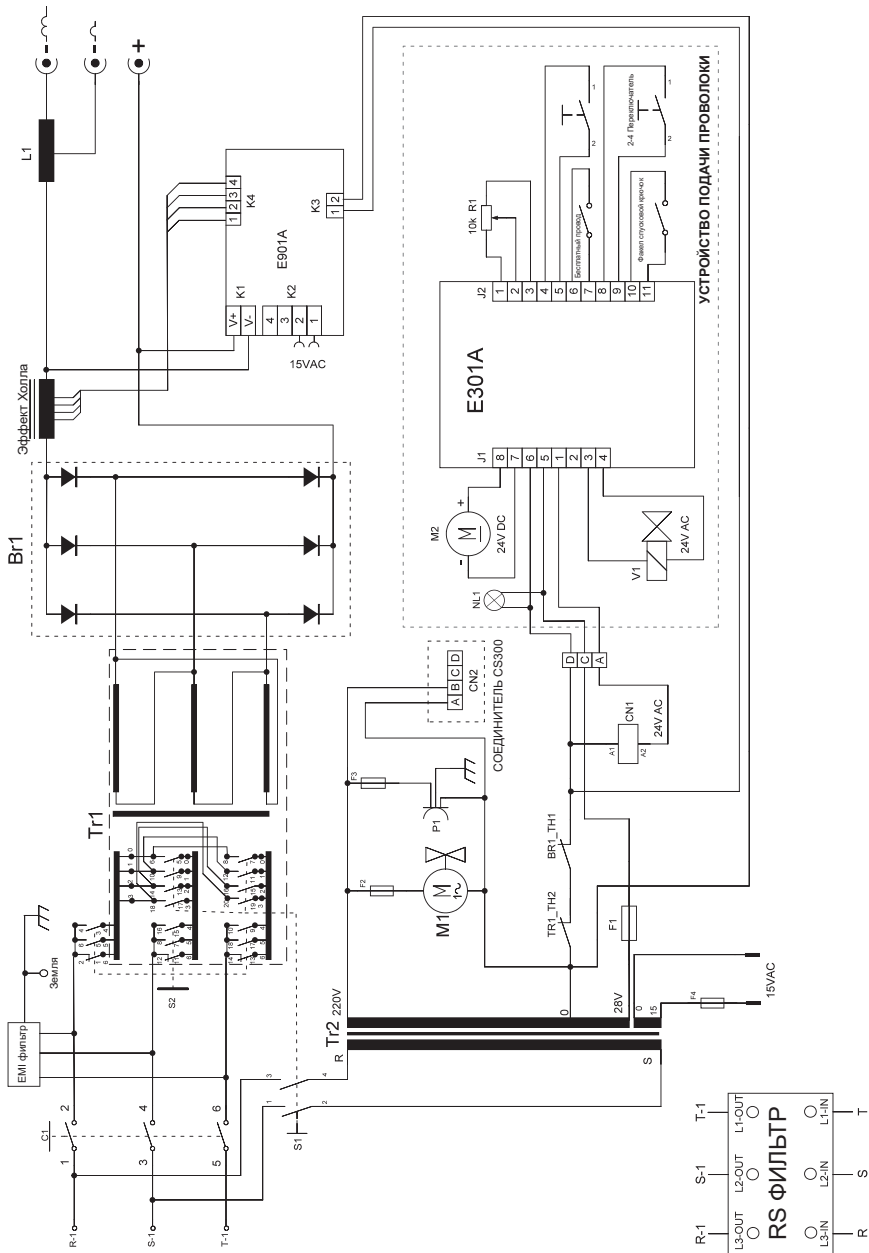
RS 350 MW



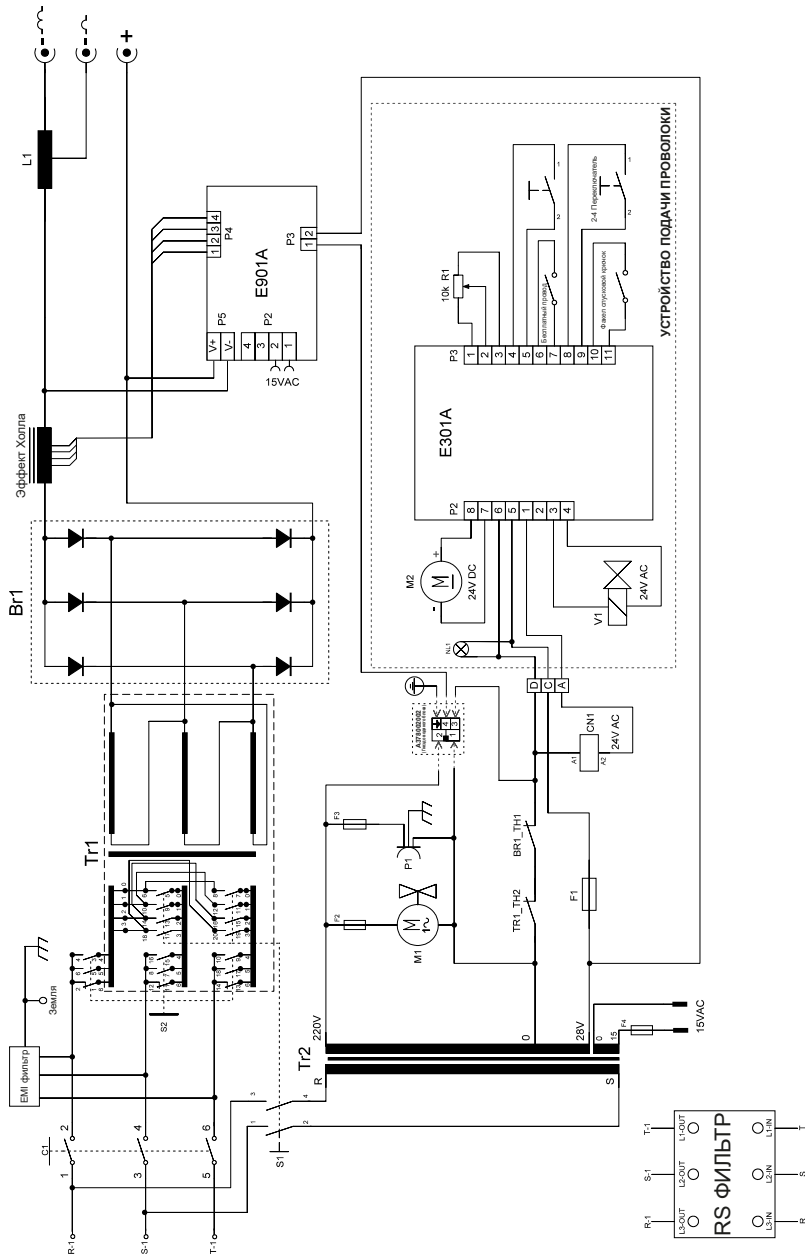
RU

RS 400 M

RU

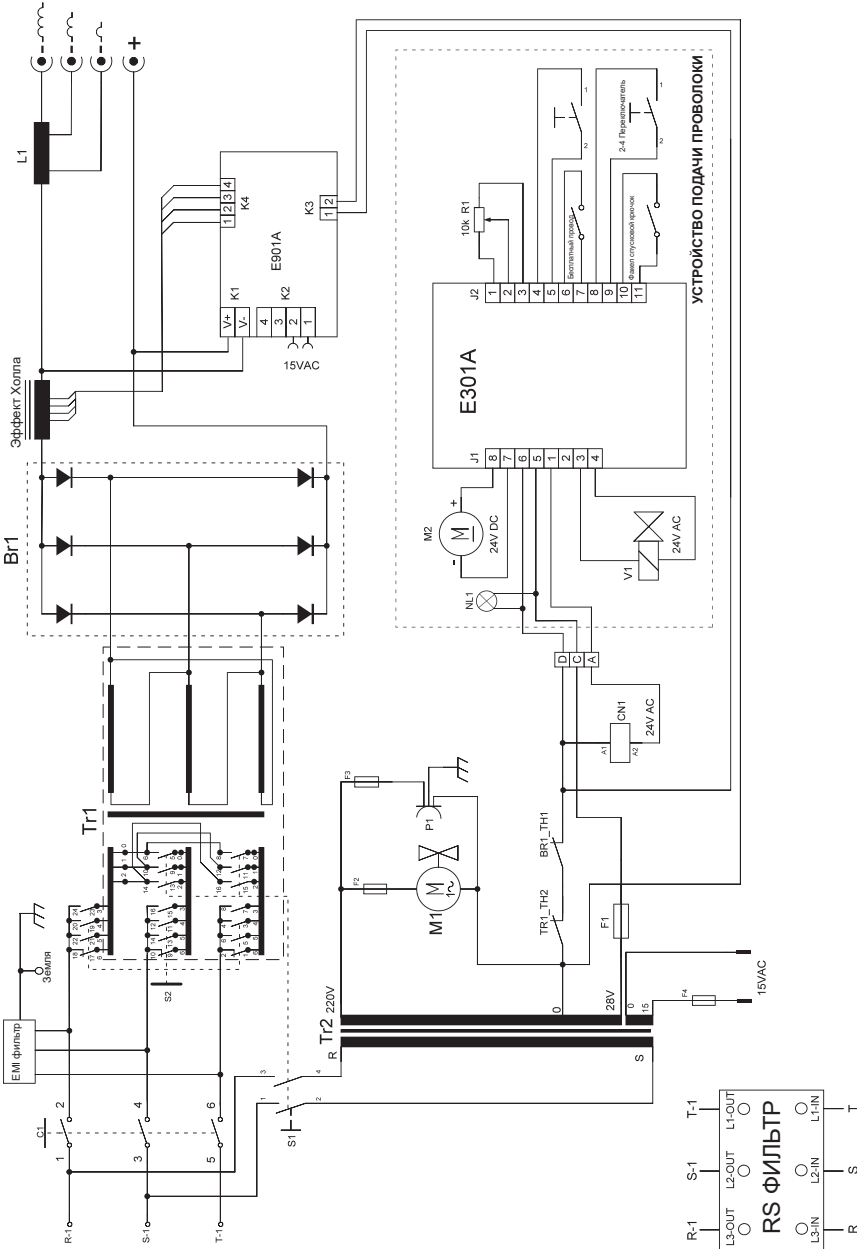


RS 400 MW



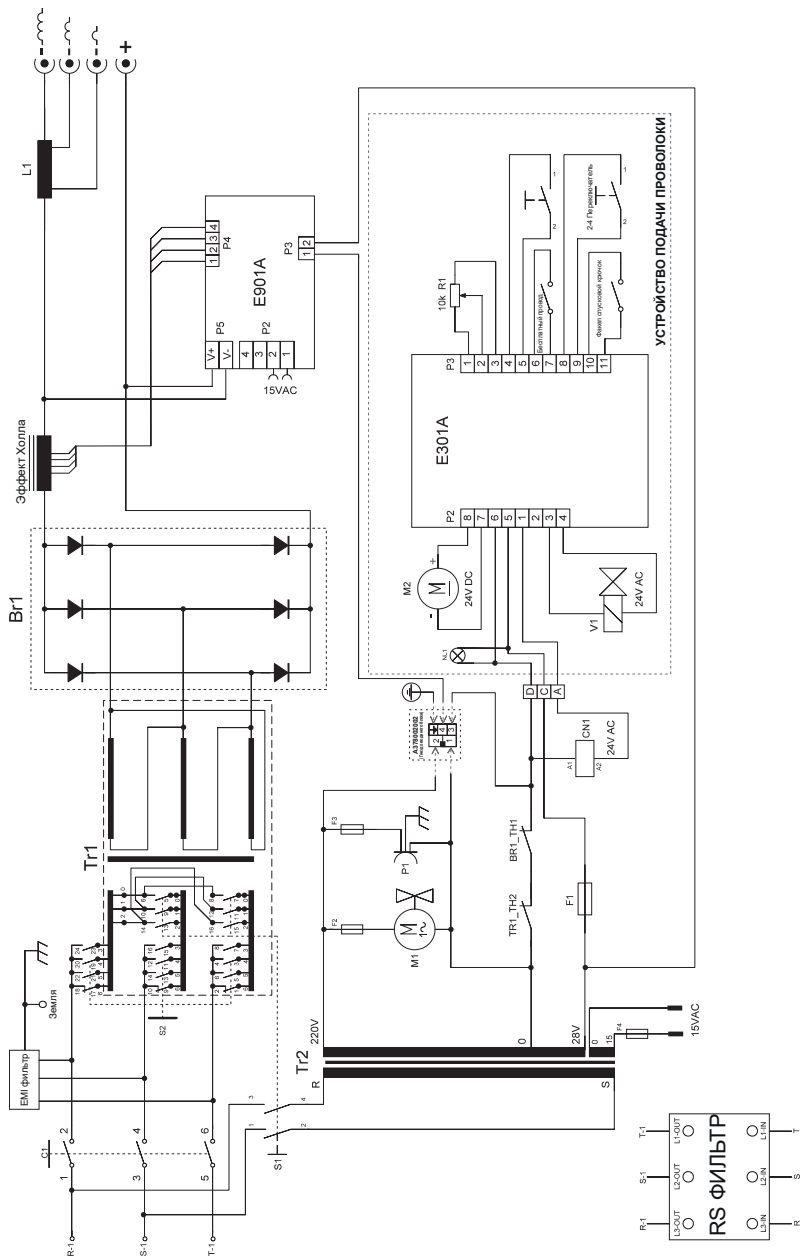
RU

RS 500 M

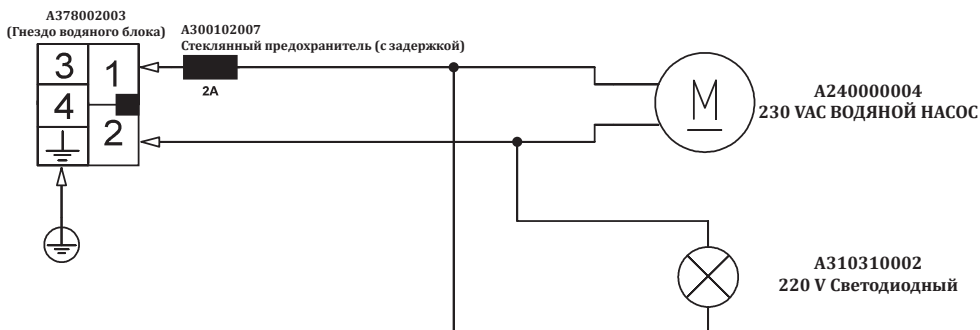
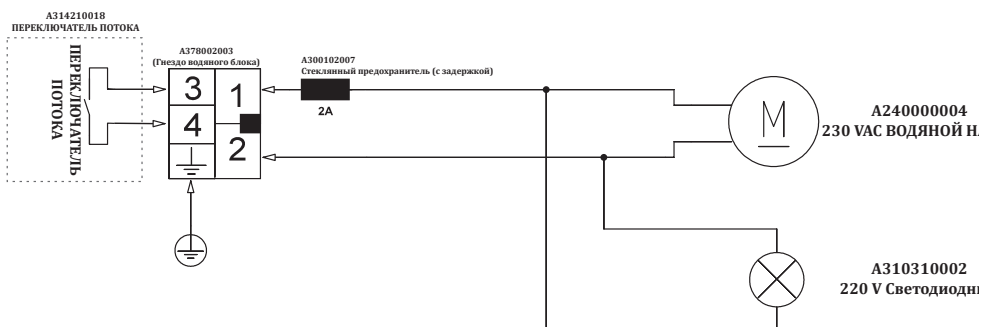


RU

RS 500 MW



RU

Принципиальная схема водяного блока**RS 350 MW****RS 400 MW / RS 500 MW**

ИНФОРМАЦИЯ О ТОВАРЕ

Модель	
Серийный номер	

ПРОИЗВОДИТЕЛЬ

Имя	MAGMA MEKATRONİK MAKİNE SANAYİ VE TİCARET A.Ş.
Адрес	Organize Sanayi Bölgesi 5. Kısım MANİSA
Телефон / Электронная почта	+90 236 226 27 00 / info@magmaweld.com

ИНФОРМАЦИЯ О ПОКУПКЕ

Имя дилера	
Город / Страна	
Телефон / Электронная почта	
Дата покупки	

ИНФОРМАЦИЯ О КЛИЕНТЕ

Название компании	
Город / Страна	
Телефон / Электронная почта	
Имя контакта	

СЕРВИСНАЯ ИНФОРМАЦИЯ (если применимо)

Название компании	
Имя техника	
Дата сдачи (дата начала гарантии)	



Пожалуйста, посетите наш веб-сайт www.magmaweld.ru/условия-гарантии/wt чтобы ознакомиться с условиями гарантии.

İÇİNDEKİLER

	GÜVENLİK KURALLARI	134
1	TEKNİK BİLGİLER	
1.1	Genel Açıklamalar	140
1.2	Makine Bileşenleri	140
1.3	Ürün Etiketi	142
1.4	Teknik Özellikler	143
1.5	Aksesuarlar	144
2	KURULUM BİLGİLERİ	
2.1	Teslim Alırken Dikkat Edilecek Hususlar	146
2.2	Kurulum ve Çalışma Tavsiyeleri	146
2.3	Elektrik Fişi Bağlantısı	147
2.4	Kaynak Bağlantıları	147
2.4.1	Tel Sürme Ünitesi Bağlantıları	147
2.4.2	Topraklama Pensesi Bağlantıları	147
2.4.3	Su Soğutma Ünitesi (MW Modellerinde)	148
2.4.4	Uzun Ara Paketlerin Bağlantısı	148
2.4.5	Gaz Bağlantıları	149
3	KULLANIM BİLGİLERİ	
3.1	Şebekeye Bağlama	150
3.2	Torcu Hazırlama ve Bağlama	150
3.3	Tel Sürme Makaralarının Seçimi ve Değişimi	151
3.4	Tel Sepetini Yerleştirme ve Teli Sürme	152
3.5	Gaz Debisini Ayarlama	153
3.6	Tetik Modlarının Kullanımı	153
3.7	Kaynağa Başlama ve Kaynağı Sonlandırma	154
3.8	Kaynak Parametreleri	155
4	BAKIM VE ARIZA BİLGİLERİ	
4.1	Bakım	156
4.2	Periyodik Olmayan Bakım	156
4.3	Hata Giderme	157
4.4	Sigorta Tablosu	158
4.5	Hata Kodları	158
5	EKLER	
5.1	Tel Sürme Ünitesi İçinde Yer Alan İnce Ayarlar	159
5.2	Yedek Parça Listeleri	160
5.3	Bağlantı Şemaları	164

✓ GÜVENLİK KURALLARI

Kılavuzda Yer Alan Tüm Güvenlik Kurallarına Uyun!

Güvenlik Bilgilerinin Tanınlanması



- Kılavuzda yer alan güvenlik sembolleri potansiyel tehlikelerin tanımlanmasında kullanılır.
- Bu kılavuzda herhangi bir güvenlik sembolü görüldüğünde, bir yaralanma riski olduğu anlaşılmalı ve takip eden açıklamalar dikkatlice okunarak olası tehlikeler engellenmelidir.
- Makine sahibi, yetkisiz kişilerin ekipmana erişmesini engellemekten sorumludur.
- Makineyi kullanan kişiler kaynak / kesme konusunda deneyimli veya tam eğitimli kişiler olup; çalışma öncesinde kullanma kılavuzunu okumalı ve güvenlik uyarılarına uymalıdır.

Güvenlik Sembollerinin Tanınlanması



DİKKAT

Yaralanma ya da hasara neden olabilecek potansiyel tehlikeli bir durumu belirtir. Önlem alınmaması durumunda yaralanmalara veya maddi kayıplara / hasarlara neden olabilir.



ÖNEMLİ

Kullanıma yönelik bilgilendirmeleri ve uyarıları belirtir.



TEHLİKE

Ciddi tehlike olduğunu gösterir. Kaçınılması durumunda ölüm veya ağır yaralanmalar meydana gelebilir.

Güvenlik Uyarılarının Kavranması



- Kullanım kılavuzunu, makine üzerindeki etiket ve güvenlik uyarılarını dikkatli bir şekilde okuyunuz.
- Makine üzerindeki uyarı etiketlerinin iyi durumda olduğundan emin olunuz. Eksik ve hasarlı etiketleri değiştiriniz.
- Makinenin nasıl çalıştırıldığını, kontrollerinin doğru bir şekilde nasıl yapılacağını öğreniniz.
- Makinenizi uygun çalışma ortamlarında kullanınız.
- Makinenizde yapılabilecek uygunsuz değişiklikler makinenizin güvenli çalışmasına ve kullanım ömrüne olumsuz etki eder.
- Cihazın belirtilen koşullar dışında çalıştırılmasından doğan sonuçlardan üretici sorumlu değildir.

Elektrik Çarpmaları Öldürebilir



Kurulum prosedürlerinin ulusal elektrik standartlarına ve diğer ilgili yönetmeliklere uygun olduğundan emin olun ve makinenin yetkili kişiler tarafından kurulmasını sağlayın.

- Kuru ve sağlam izolasyonlu eldiven ve iş önlüğü giyin. Islak ya da hasar görmüş eldiven ve iş önlüklerini kesinlikle kullanmayın.
- Yanma riskine karşı alev dayanıklı koruyucu kıyafetler giyin. Operatörün kullandığı kıyafetler kıvılcım, sıçrıntı ve ark radyasyonuna karşı koruyucu olmalıdır.
- Yalnız başınıza çalışmayın. Bir tehlike durumunda, çalıştığınız ortamda haber verebileceğiniz birinin olduğundan emin olun.
- Elektroda çıplak elle dokunmayın. Elektrod penseninin veya elektrodun herhangi bir kişi ya da topraklanmış nesne ile temas etmesini engelleyin.
- Elektrik taşıyan parçalara kesinlikle dokunmayın.
- Eğer çalışma yüzeyine, zemine ya da başka bir makineye bağlı elektrodla temas halindeyseniz kesinlikle elektrodla dokunmayın.
- Çalışma yüzeyinden ve zeminden kendinizi izole ederek olası muhtemel elektrik şoklarından koruna bilirsiniz. Çalışma yüzeyiyle operatörün temasını kesecek kadar büyük, yamaz, elektriksiz ağırdan yalıtıkan, kuru ve hasarsız izolasyon malzemesi kullanın.
- Elektrod pensesine birden fazla elektrod bağlamayın.
- Topraklama pensenini çalışma parçası ya da çalışma masasına metal metale iyi bir temas sağlayacak şekilde olabildiğince yakın bağlayın.
- Makineyi çalıştırmadan önce torcu kontrol edin. Torcun ve kablolarının iyi durumda olduğundan emin olun. Hasarlı, yıpranmış torcu mutlaka değiştirin.
- Çift açık devre voltajı olacağı için 2 farklı makineye bağlı elektrod penselerine aynı anda dokunmayın.
- Makineyi kullanmadığınız durumlarda kapalı tutun ve kabloların bağlantılarını sökün.
- Makineyi tamir etmeden önce tüm güç bağlantılarını ve/veya bağlantı fişlerini çıkartın ya da makineyi kapatın.
- Uzun şebeke kablosu kullanırken dikkatli olun.
- Tüm bağlantıların sıkı, temiz ve kuru olduğundan emin olun.

- Kabloların kuru, temiz olmasına ve yağlanmamasına özen gösterin. Sıcak metal parçalardan ve kıvılcıklardan koruyun.
- İzolasyonsuz, çıplak kablolar ölümcül tehlike yaratır. Tüm kabloları olası hasarlarla karşı sık sık kontrol edin. Hasarlı ya da izolasyonsuz bir kablo tespit edildiğinde derhal tamir edin veya değiştirin.
- Topraklama sensesi iş parçasına bağlı değil ise herhangi bir metal nesneyle temasını önlemek için izole edin.
- Elektrik hattının topraklamasının doğru yapıldığından emin olun.
- AC kaynak çıkışı ıslak, nemli ya da sıkışık alanlarda ve düşme tehlikesi bulunan yerlerde kullanmayın.
- AC çıkışı yalnızca kaynak prosesi için gerekli olduğu durumlarda kullanın.
- AC çıkış gerekli olduğu durumlarda eğer makinanızda mevcut ise uzaktan kontrol ünitesini kullanın.

Aşağıdaki elektriksiz açıldan tehlike içeren durumlardan biri mevcut olduğunda ekstra güvenlik önlemleri alın;

- Nemli yerlerdeyken veya ıslak kıyafetler giyerken,
 - Metal zemin, ızgara veya iskele yapılarında iken,
 - Oturma, diz çökme veya yatma gibi sıkışık konumlarda iken,
 - İş parçası veya zemine temas etme riski yüksek veya kaçınılmaz olduğunda.
- Bu durumlarda aşağıdaki ekipmanlar kullanılabilir;
- Yarı otomatik DC sabit gerilim (CV) MIG kaynak makinesi,
 - DC manuel Örtülü elektrod kaynak makinesi,
 - Var ise düşük açık devre gerilimine (VRD) sahip DC veya AC kaynak makinesi.

**Elektrik Çarpması
Durumunda
Uygulanması
Gerekenler**



- Elektrik gücünü kapatın.
- Elektrik şokuna kapılmış kazazedeyi elektrik taşıyan kablo veya parçalardan kurtarmak için kuru odun gibi iletken olmayan malzemeler kullanın.
- Acil servisi arayın.

İlk yardım eğitiminiz var ise;

- Kazazede nefes alamıyorsa elektrik kaynağı ile temas kesildikten hemen sonra kalp masajı (CPR) uygulayın. Solunum başlayana veya yardım gelene kadar kalp masajına devam edin.
- Otomatik bir elektronik defibrilatörün (AED) mevcut olduğu durumlarda talimatlara uygun şekilde kullanın.
- Elektrik yanığını termal yanık gibi soğuk kompres uygulayarak tedavi edin.
- Enfeksiyon kapmasını önleyin ve temiz, kuru bir örtü ile örtün.

**Hareketli Parçalar
Yaralanmalara
Yol Açabilir**



- Hareket halinde olan nesnelere uzak durun.
- Makine ve cihazlara ait tüm kapak, panel, kapı vb. koruyucuları kapalı ve kilitli tutun.
- Ağır cisimlerin düşme olasılığına karşı metal burunlu ayakkabı giyin.

**Duman ve Gazlar
Sağlığınız İçin
Zararlı Olabilir**



Kaynak ve kesme işlemi yapılırken çıkan duman ve gazın uzun süre solunması çok tehlikelidir.

- Gözlerde, burunda ve boğazda meydana gelen yanma hissi ve tahrişler; yetersiz havalandırmanın belirtileridir. Böyle bir durumda derhal havalandırmayı arttırın, sorunun devam etmesi halinde kaynak / kesme işlemini durdurun.
- Çalışma alanında doğal ya da suni bir havalandırma sistemi oluşturun.
- Kaynak / kesme işlemi yapılan yerlerde uygun bir duman emme sistemi kullanın. Gerekliyse tüm atölyede biriken duman ve gazları dışarıya atabilecek bir sistem kurun. Deşarj esnasında çevreyi kirletmemek için uygun bir filtrasyon sistemi kullanın.
- Dar ve kapalı alanlarda çalışıyorsanız veya kurşun, berilyum, kadmiyum, çinko, kaplı ya da boyalı malzemelerin kaynağını yapıyorsanız, yukarıdaki önlemlere ilave olarak temiz hava sağlayan maskeler kullanın.
- Gaz tüpleri ayrı bir bölgede gruplandırılmışsa buraların iyi havalandırılması sağlayın, gaz tüpleri kullanımında değilken ana vanalarını kapalı tutun, gaz kaçaklarına dikkat edin.
- Argon gibi koruyucu gazlar havadan daha yoğun ve kapalı alanlarda kullanıldıkları takdirde havanın yerine solunabilirler. Bu da sağlığınız için tehlikelidir.
- Kaynak / kesme işlemlerini yağlama veya boyama işlemlerinde açığa çıkan klorlu hidrokarbon buharlarının olduğu ortamlarda yapmayın.
- Bazı kaynak / kesim yapılan parçalar için özel havalandırma gerekir. Özel havalandırma gerektiren ürünlerin güvenlik kuralları dikkatlice okunmalıdır. Gaz maskesi takılması gereken durumlarda uygun gaz maskesi takılmalıdır.

Siçrıntı ve Ark Işığı Gözlerinizi ve Cildinizi Zarar Verebilir



- Gözlerinizi ve yüzünüzü korumak için standarda uygun koruyucu maske ile ona uygun cam filtre kullanın.
- Vücutunuzun diğer çıplak kalan yerlerini (kollar, boyun, kulaklar, vb) uygun koruyucu giysilerle siçrıntı ve ark ışınlarından koruyun.
- Çevrenizdeki kişilerin ark ışınlarından ve sıcak metallere zarar görmemeleri için çalışma alanınızı göz hizasından yüksek, aleve dayanıklı paravanlarla çevirin ve uyarı levhaları asın.
- Buz tutmuş boruların ısıtılmasında kullanılmaz. Kaynak / kesme makinesiyle yapılan bu işlem tesisatınızda patlama, yangın veya hasara neden olur.

Kıvılcımlar ve Siçrayan Parçalar Gözlerinizi Yaralayabilir



- Kaynak / kesme yapmak, yüzey taşlamak, fırçalamak gibi işlemler kıvılcımlara ve metal parçacıklarının siçramasına neden olur. Oluşabilecek yaralanmaları önlemek için koruyucu maskesinin altına, kenar korumalıkları olan onaylanmış koruyucu iş gözlükleri takın.

Sıcak Parçalar Ağır Yanıklara Neden Olabilir



- Sıcak parçalara çıplak el ile dokunmayın.
- Makinenin parçaları üzerinde çalışmadan önce soğumaları için gerekli sürenin geçmesini bekleyin.
- Sıcak parçaları tutmanız gerektiğinde, uygun alet, ısıl izolasyonu yüksek kaynak / kesme eldiveni ve yanmaz giysiler kullanın.

Gürültü, Duyma Yeteneğinize Zarar Verebilir



- Bazı ekipman ve işlemlerin oluşturacağı gürültü, duyma yeteneğinize zarar verebilir.
- Eğer gürültü seviyesi yüksek ise onaylanmış kulak koruyucularını takın.

Kaynak Teli Yaralanmalara Yol Açabilir



- Kaynak teli sargısını boşaltırken torcu vücudun herhangi bir bölümüne, diğer kişilere ya da herhangi bir metale doğru tutmayın.
- Kaynak telini makaradan elle açarken özellikle ince çaplarda tel, bir yay gibi elinizden fırlayabilir, size veya çevrenizdeki diğer kişilere zarar verebilir; bu işlemi yaparken özellikle gözlerinizi ve yüzünüzü koruyun.

Kaynak / Kesme İşlemi Yangınlara ve Patlamalara Yol Açabilir



- Yanıcı maddelere yakın yerlerde kesinlikle kaynak / kesim yapmayın. Yangın çıkabilir veya patlamalar olabilir.
- Kaynak / kesme işlemine başlamadan önce bu maddeleri ortamdan uzaklaştırın veya yanmalarını ve harlamalarını önlemek için koruyucu örtülerle üstlerini örtün.
- Bu alanlarda ulusal ve uluslararası özel kurallar geçerlidir.

- Tamamen kapalı tüplere ya da borulara kaynak / kesme işlemi uygulamayın.
- Tüp ve kapalı konteynerlere kaynak / kesme yapmadan önce bunları açın, tamamıyla boşaltıp, havalandırıp temizleyin. Bu tip yerlerde yapacağımız kaynak / kesme işlemlerinde mümkün olan en büyük dikkati gösterin.
- Çiğde daha önce, patlama, yangın ya da diğer tepkimelere neden olabilecek maddeler bulunan tüp ve borulara boş dahi olsalar kaynak / kesme yapmayın.
- Kaynak / kesme işlemi esnasında yüksek sıcaklık oluşur. Bu nedenle kolay yanabilecek veya hasar görebilecek yüzeylerin üzerine yerleştirmeyin !

- Kıvılcımlar ve siçrayan parçalar yangına sebep olabilir. Bu nedenle yangın söndürücü tüp, su, kum gibi malzemeleri kolay ulaşabileceğiniz yerlerde bulundurun.
- Yanıcı, patlayıcı ve basınçlı gaz devreleri üzerinde geri tepme ventilleri, gaz regülatörleri ve vanalarını kullanın. Bunların periyodik kontrollerinin yapıpı sağlıklı çalışmasına dikkat edin.

Makine ve Aparatları Yetkisiz Kişiler Tarafından Bakım Yapılması Yaralanmalara Neden Olabilir



- Elektrikli cihazlar yetkisiz kişilere tamir ettirilmemelidir. Burada yapılabilecek hatalar kullanımda ciddi yaralanmalara veya ölümlere neden olabilir
- Gas devresi elemanları basınç altında çalışmaktadır; yetkisiz kişiler tarafından verilen servisler sonucunda patlamalar olabilir, kullanıcılar ciddi şekilde yaralanabilir.
- Makinanın ve yan birimlerinin her yıl en az bir kez teknik bakımının yaptırılması tavsiye edilir.

Küçük Hacimli Kapalı Alanlarda Kaynak / Kesme



- Küçük hacimli ve kapalı alanlarda mutlaka bir başka kişi eşliğinde kaynak / kesme işlemlerini yapın.
- Mümkün olduğu kadar bu tarz kapalı yerlerde kaynak / kesme işlemleri yapmaktan kaçınınız.

Taşıma Esnasında Gerekli Önlemlerin Alınmaması Kazalara Neden Olabilir



- Makinenin taşınmasında gerekli tüm önlemleri alınız. Taşıma yapılacak alanlar, taşımada kullanılacak parçalar ile taşımayı gerçekleştirecek kişinin fiziki koşulları ve sağlığı taşıma işlemine uygun olmalıdır.
- Bazı makineler son derece ağırdır, bu nedenle yerleri değiştirirken gerekli çevresel güvenlik önlemlerinin alındığından emin olunmalıdır.
- Makine bir platform üzerinden kullanılacaksa, bu platformun uygun yük taşıma sınırlarına sahip olduğu kontrol edilmelidir.
- Bir vasıta yardımı ile (taşıma arabası, forklift vb.) taşınacak ise vasıtanın ve makineyi vasıtaya bağlayan bağlantı noktalarının (taşıma askısı, kayış, civata, somun, tekerlek vb.) sağlamlığından emin olunuz.
- Elle taşıma işlemi gerçekleştirilecek ise Makine aparatlarının (taşıma askısı, kayış vb.) ve bağlantılarının sağlamlığından emin olunuz.
- Gerekli taşıma koşullarının sağlanması için Uluslararası Çalışma Örgütünün taşıma ağırlığı ile ilgili kurallarını ve ülkenizde var olan taşıma yönetmeliklerini göz önünde bulundurunuz.
- Güç kaynağının yerini değiştirirken her zaman tutamakları veya taşıma halkalarını kullanın. Asla torç, kablo veya hortumlardan çekmeyin. Gaz tüplerini mutlaka ayrı taşıyın.
- Kaynak / kesme ekipmanlarını taşımadan önce tüm ara bağlantılarını sökün, ayrı ayrı olmak üzere, küçük olanları saplarından, büyükleri ise taşıma halkalarından ya da forklift gibi uygun kaldırma ekipmanları kullanarak kaldırın ve taşıyın.

Düşen Parçalar Yaralanmalara Sebep Olabilir



Güç kaynağının ya da diğer ekipmanların doğru konumlandırılmaması, kişilerde ciddi yaralanmalara ve diğer nesnelere de maddi hasara neden olabilir.

- Makinenin düşmeyecek ve devrilmeyecek şekilde maksimum 10° eğime sahip zemin ve platformlara yerleştirin. Malzeme akışına engel olmayacak, kablo ve hortumlara takılma riskinin oluşmayacağı, hareketsiz; ancak geniş, rahat havalandırılabilir, tozsuz alanları tercih edin. Gaz tüplerinin devrilmemesi için tüpe uygun gaz platformu bulunan makinelerde platformun üzerine, sabit kullanımlarda ise devrilmeyecek şekilde zincirle duvara sabitleyin.
- Operatörlerin makine üzerindeki ayarlara ve bağlantılara kolayca ulaşmasını sağlayın.

Aşırı Kullanım Makinenin Aşırı Isınmasına Neden Olur



- Çalışma çevrimi oranlarına göre makinenin soğumasına müsaade edin.
- Akımı veya çalışma çevrimi oranını tekrar kaynağa / kesmeye başlamadan önce düşürün.
- Makinenin havalandırma girişlerinin önünü kapamayın.
- Makinenin havalandırma girişlerine, üretici onayı olmadan filtre koymayın.

Ark Kaynağı Elektromanyetik Parazitlere Neden Olabilir



Bu cihaz IEC 61000 -3 - 12 uyumlu değildir. Evlerde kullanılan alçak gerilim şebekesine bağlanmak istenmesi durumunda, elektrik bağlantısını yapacak tesisatçının veya makineyi kullanacak kişinin, makinenin bağlanabilirliği konusunda bilgi sahibi olması gereklidir, bu durumda sorumluluk kullanıcıya aittir.

- Çalışma bölgesinin elektromanyetik uyumluluğa (EMC) uygun olduğundan emin olun. Kaynak / kesme işlemi esnasında oluşabilecek elektromanyetik parazitler, elektronik cihazlarınızda ve şebekenizde istenmeyen etkilere neden olabilir. İşlem sırasında oluşabilecek bu parazitlerin neden olabileceği etkiler kullanıcının sorumluluğunda altındadır.
- Eğer herhangi bir parazit oluşuyorsa, uygunluğu sağlamak için; kısa kablo kullanımı, korumalı (zırhlı) kablo kullanımı, makinenin başka bir yere taşınması, kabloların etkilenen cihaz ve/veya bölgeden uzaklaştırılması, filtre kullanımı veya çalışma alanının EMC açısından korunmaya alınması gibi ekstra önlemler alınabilir.
- Olası EMC hasarlarını engellemek için kaynak / kesme işlemlerinizi hassas elektronik cihazlarınızdan mümkün olduğunca uzakta (100 m) gerçekleştirin.
- Makinenizi kullanma kılavuzuna uygun şekilde kurulum yerleştirildiğinden emin olun.

Çalışma Alanının Elektromanyetik Uygunluğunun Değerlendirilmesi



IEC 60974-9 madde 5.2'ye göre; Kaynak / kesme donanımı tesis etmeden önce, işletme yetkilisi ve / veya kullanıcı, çevredeki olası elektromanyetik parazitler hakkında bir inceleme yapmalıdır. Aşağıda belirtilen haller göz önünde bulundurulmalıdır;

- Kaynak / kesme makinesi ve donanımının üstünde, altında ve yanındaki diğer besleme kabloları, kontrol kabloları, sinyal ve telefon kabloları,
- Radyo ve televizyon vericileri ve alıcıları,
- Bilgisayar ve diğer kontrol donanımı,
- Kritik güvenlik donanımı, örneğin endüstriyel donanımın korunması,
- Çevredeki insanların tıbbi aparatları, örneğin kalp pilleri ve işitme cihazları,
- Ölçme veya kalibrasyon için kullanılan donanım,
- Ortamdaki diğer donanımın başışıklığı. Kullanıcı, çevrede kullanılmakta olan diğer donanımın uyumlu olmasını sağlamalıdır. Bu, ilave koruma önlemleri gerektirebilir,
- Kaynak / kesme işleminin gün içindeki gerçekleştirileceği zaman, göz önüne alınarak çevrenin büyüklüğü, binanın yapısına ve binada yapılmakta olan diğer faaliyetlere göre inceleme alanı sınırları genişletilebilir.

Alanın değerlendirilmesine ek olarak cihaz kurulumlarının değerlendirilmesi de bozucu etkinin çözümü için gerekli olabilir. Gerek görülmesi durumunda, yerinde ölçümler azaltıcı önlemlerin verimliliklerini onaylamak için de kullanılabilir.

(Kaynak: IEC 60974-9).

Parazit Azaltma Yöntemleri



- Cihaz tavsiye edilen şekilde ve yetkili bir kişi tarafından elektrik şebekesine bağlanmalıdır. Eğer parazit oluşursa şebekenin filtrelenmesi gibi ek önlemler uygulanabilir. Sabit montajlı ark kaynağı ekipmanının beslemesi metal bir boru içerisinden veya eşdeğer ekranlı bir kablo ile yapılmalıdır. Ekran ile güç kaynağının mahfazası bağlı olmalı ve bu iki yapı arasında iyi bir elektriksel temas sağlanmalıdır.
- Cihazın tavsiye edilen rutin bakımları yapılmalıdır. Cihaz kullanımdayken, kaportanın tüm kapakları kapalı ve / veya kilitle olmalıdır. Cihaz üzerinde üreticinin yazılı onayı olmadan standart ayarları dışında herhangi bir değişiklik, modifikasyon kesinlikle yapılamaz. Aksi durumda oluşabilecek her türlü sonuçtan kullanıcı sorumludur.
- Kaynak / kesme kabloları mümkün olduğunca kısa tutulmalıdır. Çalışma alanının zemininden yan yana olacak şekilde ilerlemelidirler. Kaynak / kesme kabloları hiçbir şekilde sarılmamalıdır.
- Kaynak / kesme esnasında makinede manyetik alan oluşmaktadır. Bu durum makinenin metal parçaları kendi üzerine çekmeye sebebiyet verebilir. Bu çekimi engellemek adına metal malzemelerin güvenli mesafede veya sabitlenmiş olduğundan emin olunuz. Operatör, bütün bu birbirine bağlanmış metal malzemelerden yalıtılmalıdır.
- İş parçasının elektriksel güvenlik amacıyla veya boyutu ve pozisyonu sebebiyle toprağa bağlanmadığı durumlarda (örneğin gemi gövdesi veya çelik konstrüksiyon imalatı) iş parçası ile toprak arasında yapılacak bir bağlantı bazı durumlarda emisyonları düşürebilir. İş parçasının topraklanmasının kullanıcıların yaralanmasına veya ortamdaki diğer elektrikli ekipmanların arıza yapmasına neden olabileceği unutulmamalıdır. Gerekli hallerde iş parçası ile toprak bağlantısı doğrudan yapılabılır fakat doğrudan bağlantıya izin verilemeyen bazı ülkelerde bağlantı yerel düzenleme ve yönetmeliklere uygun olarak, uygun kapasite elemanları kullanılarak oluşturulabilir.
- Çalışma alanındaki diğer cihazların ve kabloların ekranlanması ve muhafazası bozucu etkilerin önüne geçilmesini sağlayabilir. Kaynak / kesme bölgesinin tamamının ekranlanması bazı özel uygulamalar için değerlendirilebilir.

Elektromanyetik Alan (EMF)



Herhangi bir iletken üzerinden geçen elektrik akımı, bölgesel elektrik ve manyetik alanlar (EMF) oluşturur.

Operatörler EMF'ye maruz kalmının sebep olduğu riski en aza indirmek için aşağıdaki prosedürleri uygulamalıdır;

- Manyetik alanı azaltmak adına kaynak / kesme kabloları bir araya getirilmeli, mümkün olduğunca birleştirici malzemelerle (bant, kablo bağı vb.) emniyet altına alınmalıdır.
- Operatörün gövdesi ve başı, kaynak / kesme makine ve kablolarından mümkün olduğunca uzakta tutulmalıdır,
- Kaynak / kesme ve elektrik kabloları vücudun etrafına hiçbir şekilde sarılmamalıdır,
- Vücut, kaynak / kesme kablolarının arasında kalmamalıdır. Kaynak / kesme kablolarının her ikisi yan yana olmak üzere vücudun uzağında tutulmalıdır,
- Dönüş kablosu iş parçasına, kaynak / kesme yapılan bölgeye mümkün olduğunca yakın bir şekilde bağlanmalıdır,
- Güç ünitesine yaslanmamalı, üzerine oturmamalı ve çok yakınında çalışılmamalıdır,
- Güç ünitesini veya tel besleme ünitesini taşıırken kaynak / kesme işlemi yapılmamalıdır.

EMF ayrıca, kalp pilleri gibi tıbbi implantların (vücut içine yerleştirilen madde) çalışmasını bozabilir. Tıbbi implantları olan kişiler için koruyucu önlemler alınmalıdır. Örneğin, yoldan geçenler için erişim sınırlaması koyulabilir veya operatörler için bireysel risk değerlendirmeleri yapılabilir. Bir tip uzmanı tarafından, tıbbi implantları olan kullanıcılar için risk değerlendirmesi yapıp, öneride bulunulmalıdır.

**Koruma**

- Makineyi yağmura maruz bırakmayın, üzerine su sıçramasına veya basınçlı buhar gelmesine engel olun.

Enerji Verimliliği

- Yapacağınız kaynak / kesme işlemine uygun yöntem ve makine tercihinde bulunun.
- Kaynak / kesme yapacağınız malzemeye ve kalınlığına uygun akım ve / veya gerilimi seçin.
- Kaynak / kesme yapmadan uzun süre beklenilecekse, fan makineyi soğuttuktan sonra makineyi kapatın. Akıllı fan kontrolü olan makinelerimiz kendi kendine duracaktır.

Atık Prosedürü

- Bu cihaz evsel atık değildir. Avrupa Birliği direktifi ile ulusal yasa çerçevesinde geri dönüşüme yönlendirilmek zorundadır.
- Kullanılmış makinенizin atık yönetimi hakkında satıcınızdan ve yetkili kişilerden bilgi edinin.

GARANTİ FORMU

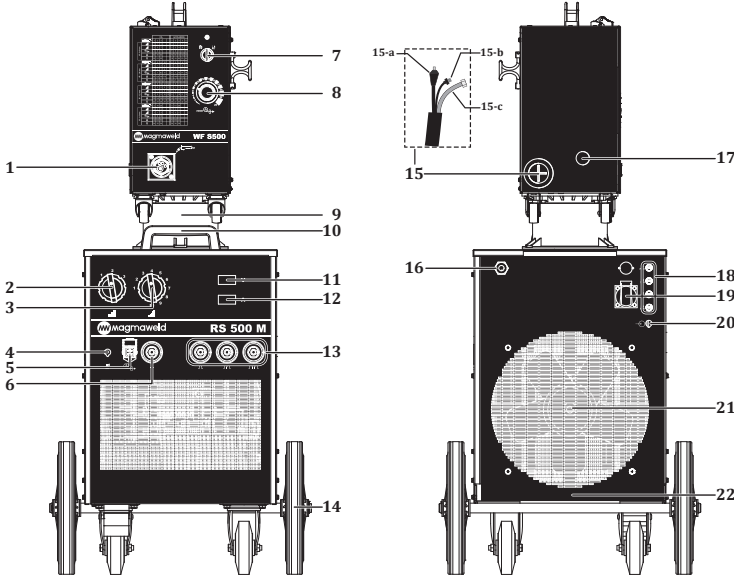
Garanti Formu için www.magmaweld.com.tr/garanti-formu/wr web sitemizi ziyaret ediniz.

TEKNİK BİLGİLER

1.1 Genel Açıklamalar

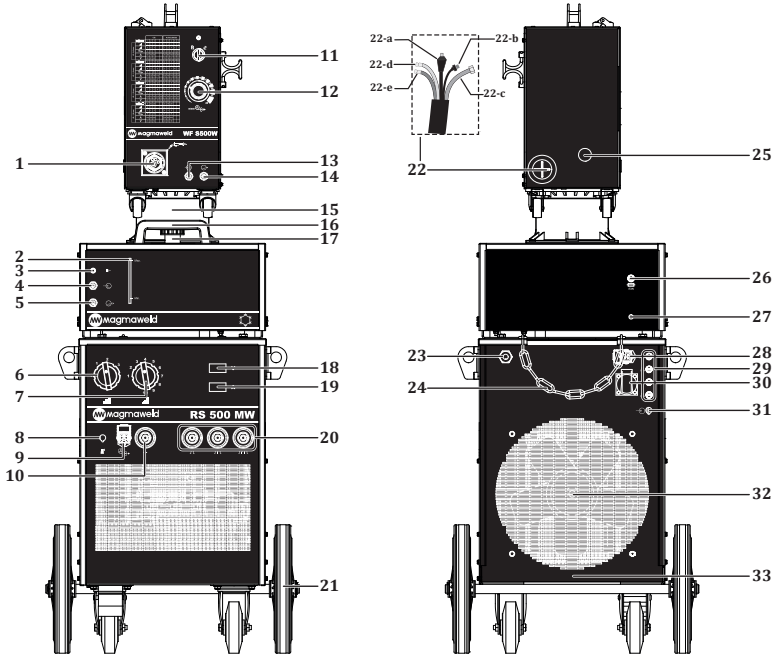
RS 350 M, RS 400 M, RS 500 M, RS 350 MW, RS 400 MW ve RS 500 MW, 3 fazlı, kademeli voltaj kontrollü, yatay karakteristikli, seri imalat ve konstrüksiyon amaçlı kullanılmak üzere, her tip masif ve özlü tel yakabilen endüstriyel MIG/MAG kaynak makineleridir. Kaynak gerilim ayarları, RS 350 M ve RS 350 MW 17 - 32 V arasında 21 kademe, RS 400 M ve RS 400 MW 16 - 34 V arasında 28 kademe, RS 500 M ve RS 500 MW 16- 39 V arasında 30 kademe yapılmaktadır. Tel sürme ünitesi, geniş çalışma alanlarında rahat taşınabilmek üzere güç kaynağın-dan ayrı bir çanta olarak tasarlanmış, 4 makara tahrikli bir düzenektir. Her ne kadar şantiye şartları gözetilerek oldukça sağlam yapılmış olsa da, içerisinde tel sürme motor - dişli mekanizması, elektronik kart ve gaz ventili bulunduğu için, tel sürme ünitesi çalışma alanlarında dikkatle taşınmalıdır. Ünitenin altındaki tekerlekler kaynakçıya kullanım rahatlığı vermek içindir, ancak torçtan çekerek uzun mesafelerde hareket ettirilmemelidir. Bu makinelerle geniş bir akım aralığında, değişik çapta tellerle tüm gün kaynak yapılabilir. RS 350 M ve RS 350 MW 1.0 mm, RS 400 M ve RS 400 MW 1.2 mm, RS 500 M ve RS 500 MW 1.2 - 1.6 mm tel kullanımı için idealdir.

1.2 Makine Bileşenleri



Şekil 1 : RS 500 M Ön ve Arka Görünüm

- | | |
|---------------------------------------|----------------------------------------|
| 1- Torç Konnektörü | 14- Tekerlek |
| 2- Açma / Kapama ve Kaba Ayar Şalteri | 15- Ara Paket |
| 3- İnce Ayar Şalteri | 15-a Kaynak Akım Fişi |
| 4- Gaz Çıkışı | 15-b Tel Sürme Ünitesi Kontrol Kablosu |
| 5- Tel Sürme Ünitesi Konnektörü | 15-c Gaz Hortumu |
| 6- Kaynak Akım Fişi Soketi | 16- Şebeke Kablosu |
| 7- Tetik Modu Anahtarı | 17- Bidon Tel Girişi |
| 8- Tel Hızı Ayar Düğmesi | 18- Sigorta Grubu |
| 9- Döner Aparat | 19- CO ₂ Isıtıcı Prizi |
| 10- Tutamak | 20- Gaz Girişi |
| 11- Voltmetre | 21- Fan Çıkışı |
| 12- Ampermetre | 22- Gaz Tüpü Taşıma Platformu |
| 13- Topraklama Kablosu Soketi (-) | |



Şekil 2 : RS 500 MW Ön ve Arka Görünüm

- | | |
|---------------------------------------|----------------------------------------|
| 1- Torç Konnektörü | 20- Topraklama Kablosu Soketi (-) |
| 2- Su Seviye Göstergesi | 21- Tekerlek |
| 3- Soğutma Sistemi Şebeke Lambası | 22- Ara Paket |
| 4- Sıcak Su Girişi | 22-a Kaynak Akım Fişi |
| 5- Soğuk Su Çıkışı | 22-b Tel Sürme Ünitesi Kontrol Kablosu |
| 6- Açma / Kapama ve Kaba Ayar Şalteri | 22-c Gaz Hortumu |
| 7- İnce Ayar Şalteri | 22-d Soğuk Su Hortumu - Mavi |
| 8- Gaz Çıkışı | 22-e Sıcak Su Hortumu - Kırmızı |
| 9- Tel Sürme Ünitesi Konnektörü | 23- Şebeke Kablosu |
| 10- Kaynak Akım Fişi Soketi | 24- Gaz Tüpü Sabitleme Zinciri |
| 11- Tetik Modu Anahtarı | 25- Bidon Tel Girişi |
| 12- Tel Hızı Ayar Düğmesi | 26- Su Soğutma Ünitesi Sigortası |
| 13- Sıcak Su Girişi | 27- Su Soğutma Ünitesi Kontrol Kablosu |
| 14- Soğuk Su Çıkışı | 28- Su Soğutma Ünitesi Bağlantı Soketi |
| 15- Döner Aparat | 29- Sigorta Grubu |
| 16- Tutamak | 30- CO ₂ Isıtıcı Prizi |
| 17- Su Deposu Kapağı | 31- Gaz Girişi |
| 18- Voltmetre | 32- Fan Çıkışı |
| 19- Ampermetre | 33- Gaz Tüpü Taşıma Platformu |

1.3 Ürün Etiketi

MAGMA MEKATRONİK MAKİNE SAN. VE TİC. A.Ş. Organize Sanayi Bölgesi 5.Kısım Manisa-TÜRKİYE		MAGMA MEKATRONİK MAKİNE SAN. VE TİC. A.Ş. Organize Sanayi Bölgesi 5.Kısım Manisa-TÜRKİYE		MAGMA MEKATRONİK MAKİNE SAN. VE TİC. A.Ş. Organize Sanayi Bölgesi 5.Kısım Manisa-TÜRKİYE	
RS 350 M / RS 350MW		RS 400 M / RS 400 MW		RS 500 M / RS 500 MW	
Seri No :		Seri No :		Seri No :	
60A / 17V - 350A / 31.5V		45A / 16.2V - 400A / 34V		45A / 16.2V - 500A / 39V	
X		X		X	
I ₂		I ₂		I ₂	
U ₂		U ₂		U ₂	
I ₁		I ₁		I ₁	
S ₁		S ₁		S ₁	
U ₀ V		U ₀ V		U ₀ V	
19.7 - 51		20 - 48		19 - 53	
I _{max} = 25.1A		I _{max} = 28.1A		I _{max} = 41A	
I _{in} = 15.9A		I _{in} = 19.9A		I _{in} = 26A	
IP21		IP21		IP21	

Üç Fazlı Transformatör Doğrultucu

Yatay Karakteristik

MIG / MAG Kaynağı

Doğru Akım

Şebeke Girişi - 3 Fazlı Alternatif Akım

Tehlikeli Ortamlarda Çalışmaya Uygun

X Çalışma Çevrimi

U₀ Boşta Çalışma Gerilimi

U₁ Şebeke Gerilimi ve Frekansı

U₂ Anma Kaynak Gerilimi

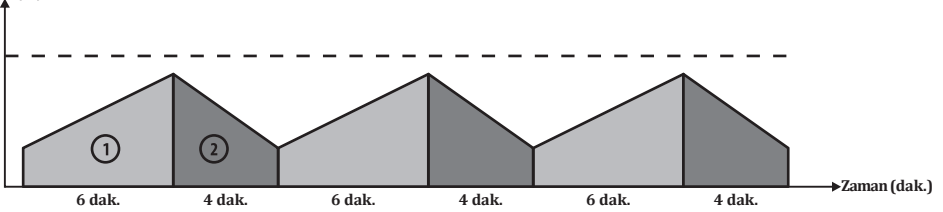
I₁ Şebekeden Çekilen Anma Akımı

I₂ Anma Kaynak Akımı

S₁ Şebekeden Çekilen Güç

IP21S Koruma Sınıfı

Çalışma Çevrimi
Sıcaklık (C°)



EN 60974-1 standardında da tanımlandığı üzere çalışma çevrim oranı 10 dakikalık bir zaman periyodunu içerir. Örnek olarak %60'da 250A olarak belirtilen bir makinede 250A'de çalışılmak isteniyorsa, makine 10 dakikalık zaman periyodunun ilk 6 dakikasında hiç durmadan kaynak / kesme yapabilir (1 bölgesi). Ancak bunu takip eden 4 dakika makine soğuması için boşta bekletilmelidir (2 bölgesi).

1.4 Teknik Özellikler

TEKNİK ÖZELLİKLER	BİRİM	RS 350 M	RS 350 MW
Şebeke Gerilimi (3 Faz 50-60 Hz)	V	400	400
Şebekeden Çekilen Güç	kVA	17.3 (%40)	17.3 (%40)
Kaynak Akım Ayar Sahası	ADC	60 - 350	60 - 350
Anma Kaynak Akımı	ADC	350 (%40)	350 (%40)
Açık Devre Gerilimi	VDC	20 - 52	20 - 52
Gerilim Ayarı Kademe Sayısı	mm	3 x 7	3 x 7
Boyutlar (u x g x y)	mm	1008 x 592 x 1220	1008 x 592 x 1443
Ağırlık	kg	145.5	177
Koruma Sınıfı		IP 21S	IP 21S

TEKNİK ÖZELLİKLER	BİRİM	RS 400 M	RS 400 MW
Şebeke Gerilimi (3 Faz 50-60 Hz)	V	400	400
Şebekeden Çekilen Güç	kVA	19.4 (%50)	19.4 (%50)
Kaynak Akım Ayar Sahası	ADC	45 - 400	45 - 400
Anma Kaynak Akımı	ADC	400 (%50)	400 (%50)
Açık Devre Gerilimi	VDC	20 - 48	20 - 48
Gerilim Ayarı Kademe Sayısı	mm	4 x 7	4 x 7
Boyutlar (u x g x y)	mm	1020 x 590 x 1290	1020 x 590 x 1515
Ağırlık	kg	134	155
Koruma Sınıfı		IP 21S	IP 21S

TEKNİK ÖZELLİKLER	BİRİM	RS 500 M	RS 500 MW
Şebeke Gerilimi (3 Faz 50-60 Hz)	V	400	400
Şebekeden Çekilen Güç	kVA	28.3 (%40)	28.3 (%40)
Kaynak Akım Ayar Sahası	ADC	45 - 500	45 - 500
Anma Kaynak Akımı	ADC	500b(%40)	500 (%40)
Açık Devre Gerilimi	VDC	19 - 53	19 - 53
Gerilim Ayarı Kademe Sayısı	mm	3 x 10	3 x 10
Boyutlar (u x g x y)	mm	1020 x 590 x 1290	1020 x 590 x 1515
Ağırlık	kg	195	215
Koruma Sınıfı		IP 21S	IP 21S

1.5 Aksesuarlar

STANDART AKSESUARLAR	ADET	RS 350 M - MW
Topraklama Pensesi ve Kablosu	1	7905203505
Gaz Hortumu	1	7907000002
MIG/MAG CO ₂ Aksesuar Seti*	1	7920000530 / 7920000550
MIG/MAG Mix / Argon Aksesuar Seti*	1	7920000535 / 7920000555
STANDART AKSESUARLAR	ADET	RS 400 M - MW
Topraklama Pensesi ve Kablosu	1	7905203505
Gaz Hortumu	1	7907000002
MIG/MAG CO ₂ Aksesuar Seti*	1	7920000530 / 7920000550
MIG/MAG Mix / Argon Aksesuar Seti*	1	7920000535 / 7920000555
STANDART AKSESUARLAR	ADET	RS 500 M - MW
Topraklama Pensesi ve Kablosu	1	7905407005
Gaz Hortumu	1	7907000002
MIG/MAG CO ₂ Aksesuar Seti*	1	7920000540 / 7920000550
MIG/MAG Mix / Argon Aksesuar Seti*	1	7920000545 / 7920000555

* Sipariş esnasında belirtilmelidir.

OPSİYONEL AKSESUARLAR	ADET	RS 350 M - MW
CO ₂ Isıtıcı	1	7020009002
Gaz Regülatörü (CO ₂)	1	7020001005
Gaz Regülatörü (Mix)	1	7020001004
Lava MIG 35 (3 m) Hava Soğutmalı MIG Torcu	1	7120035003
Lava MIG 40 (3 m) Hava Soğutmalı MIG Torcu	1	7120040003
Lava MIG 50W (3 m) Su Soğutmalı MIG Torcu	1	7120050003

OPSİYONEL AKSESUARLAR	ADET	RS 400 M - MW
CO ₂ Isıtıcı	1	7020009002
Gaz Regülatörü (CO ₂)	1	7020001005
Gaz Regülatörü (Mix)	1	7020001004
Lava MIG 35 (3 m) Hava Soğutmalı MIG Torcu	1	7120035003
Lava MIG 40 (3 m) Hava Soğutmalı MIG Torcu	1	7120040003
Lava MIG 50W (3 m) Su Soğutmalı MIG Torcu	1	7120050003

OPSİYONEL AKSESUARLAR	ADET	RS 500 M - MW
CO ₂ Isıtıcı	1	7020009002
Gaz Regülatörü (CO ₂)	1	7020001005
Gaz Regülatörü (Mix)	1	7020001004
Lava MIG 40 (3 m) Hava Soğutmalı MIG Torcu	1	7120040003
Lava MIG 50W (3 m) Su Soğutmalı MIG Torcu	1	7120050003

KURULUM BİLGİLERİ

2.1 Teslim Alırken Dikkat Edilecek Hususlar

Sipariş ettiğiniz tüm malzemelerin gelmiş olduğundan emin olun. Herhangi bir malzemenin eksik veya hasarlı olması halinde derhal aldığınız yer ile temasa geçin.

Standart kutu şunları içermektedir :

- Ana makine ve ona bağlı şebeke kablosu
- Topraklama pensesi ve kablosu
- Gaz hortumu
- Garanti belgesi
- Kullanım kılavuzu
- Kaynak teli

Hasarlı teslimat halinde tutanak tutun, hasarın resmini çekin, irsaliyenin fotokopisi ile birlikte nakliyeciy firmaya bildirin. Sorunun devam etmesi halinde müşteri hizmetleri ile irtibata geçin.

Cihaz üzerindeki sembol ve anlamları



Kaynak yapma işlemi tehlike içermektedir. Uygun çalışma koşulları sağlanmalı ve gerekli önlemler alınmalıdır. Uzman kişiler makinede sorumlu olup, gerekli donanımları sağlamalıdır. İlgili olmayan kişiler kaynak sahasından uzak tutulmalıdır.



Bu cihaz IEC 61000-3-12 uyumlu değildir. Evlerde kullanılan alçak gerilim şebekesine bağlanmak istenmesi durumunda, elektrik bağlantısını yapacak tesisatçının veya makineyi kullanacak kişinin, makinenin bağlanabilirliği konusunda bilgi sahibi olması gereklidir, bu durumda sorumluluk kullanıcıya aittir.



Cihaz üzerinde ve kullanım kılavuzunda bulunan güvenlik sembollerine ve uyarı notlarına dikkat edilmesi, etiketleri sökülmemelidir.



İzgaralar havalandırma amaçlıdır. Açıklıkların üzeri iyi bir soğutma sağlamak amacıyla örtülmemeli ve içeriye yabancı cisim sokulmamalıdır.

2.2 Kurulum ve Çalışma Tavsiyeleri

- Makineyi taşımak için kaldırma halkaları ya da forklift kullanılmalıdır. Makineyi gaz tüpüyle birlikte kaldırmayın. Çanta tipi taşınabilir kaynak makinelerinde elle taşıma yapılırken İş Sağlığı ve Güvenliği yönetmeliğine uygun şekilde hareket edilmelidir. Taşıma işleminin mümkün olduğu kadar sağlık ve güvenlik şartlarına uygun olarak yapılabilmesi için işyerinde gerekli düzenlemeler yapılmalıdır. Çalışma ortamının özellikleri ve yapılan işin gereklerine uygun önlemler alınmalıdır. Makine düşmeyeceği ve devrilmeyeceği sert, düzgün ve eğimsiz bir zemine yerleştirilmelidir.
- Makineyi direk güneş ışığı altında çalıştırmayın. Ortam sıcaklığının 40°C aştığı durumlarda, makineyi daha düşük akımda ya da daha çevrim oranında çalıştırın.
- Dış mekanlarda rüzgar ve yağmur varken kaynak yapmaktan kaçının. Bu tür durumlarda kaynak yapmak zorunluysa, kaynak bölgesini ve kaynak makinesini perde ve tenteye koruyun.
- Makineyi konumlandırırken duvar, perde, pano gibi materyallerin makinenin kontrol ve bağlantılarına kolay erişimi engellemediğinden emin olun.
- İçeride kaynak yapıyorsanız, uygun bir duman emme sistemi kullanın. Kapalı mekanlarda kaynak dumanı ve gazı soluma riski varsa, solunum aparatları kullanın.
- Ürün etiketinde belirtilen çalışma çevrimi oranlarına uyun. Çalışma çevrimi oranlarını sıklıkla aşmak, makineye hasar verebilir ve bu durum garantiyi geçersiz kılabilir.
- Belirtilen sigorta değerine uygun besleme kablosu kullanılmalıdır.
- Toprak kablosunun kaynak bölgesinin olabildiğince yakınına sıkıca bağlayın. Kaynak akımının kaynak kabloları dışındaki elemanlardan, örneğin makinenin kendisi, gaz tüpü, zincir, rulman üzerinden geçmesine izin vermeyin.
- Gaz tüpü makinenin üzerine yerleştirildiğinde, derhal zinciri bağlayarak gaz tüpünü sabitleyin. Eğer gaz tüpünü makinenin üzerine yerleştirmeyeceksiniz, tüpü zincirle duvara sabitleyin.
- Makinenin arkasında yer alan elektrik prizi CO₂ ısıtıcı içindir. CO₂ prizine CO₂ ısıtıcı dışında bir cihazı kesinlikle bağlamayın !

2.3 Elektrik Fişi Bağlantısı



Güvenliğiniz için, makinenin şebeke kablosunu kesinlikle fişsiz kullanmayın.

- Fabrika, şantiye ve atölyelerde farklı prizler bulunabileceği için şebeke kablosuna bir fiş bağlanmamıştır. Prize uygun bir fiş, kalifiye bir elektrikçi tarafından bağlanmalıdır. Sarı / Yeşil renkte ve ⚡ ile işaretlenmiş olan toprak kablosunun mevcut olduğundan emin olun.
- Fişi kabloya bağladıktan sonra, bu aşamada prize takmayın.

2.4 Kaynak Bağlantıları


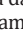

2.4.1 Tel Sürme Ünitesi Bağlantıları

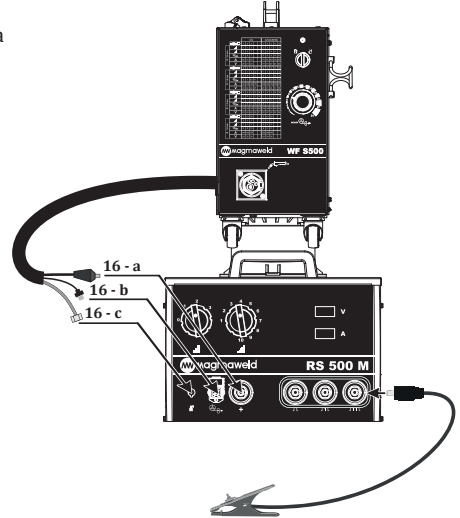
- Tel sürme ünitesini döner aparatın üzerine yerleştirin.
- Mavi renkteki gaz hortumunu güç kaynağının önündeki gaz çıkışına bağlayın.
- Tel sürme ünitesinin kontrol kablosunu güç kaynağı üzerindeki tel sürme ünitesi konnektörüne bağlayın ve kilidini indirin.
- Kaynak akım fişini güç kaynağı üzerindeki kaynak akım fişi soketine bağlayın ve sağa çevirerek sıkın.



Bağlantıların sıkı yapıldığından emin olun. Gevşek ya da hatalı bağlantılar aşırı ısınmaya ya da gaz kaçağına neden olabilir.

2.4.2 Topraklama Pensesi Bağlantıları

- Farklı endüktans değerindeki topraklama kablosu soketleri geniş bir akım aralığında daha düşük sıçrıntıyla kaynak yapılmasını sağlar. Düşük akım ve küçük tel çapları için  soketi, yüksek akım ve büyük tel çapları için  ya da  soketi tercih edilmelidir.
- Topraklama pensesinin kablosunu makine üzerindeki topraklama kablosu soketlerinden birine bağlayın ve sağa çevirerek sıkın.
- Kaynak kalitesini arttırmak için, topraklama pensesini, kaynak yapılacak bölgeye olabildiğince yakın yerden iş parçasına sıkıca bağlayın.



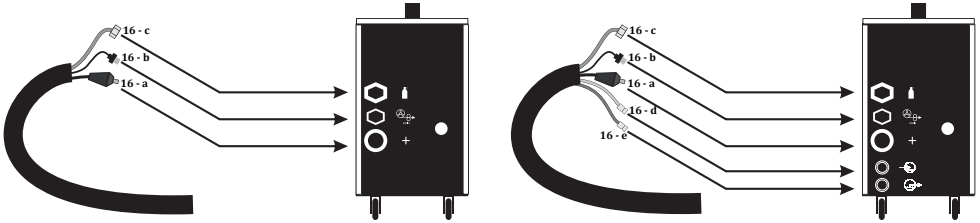
Şekil 3 : Ara Paket ve Topraklama Pensesi Bağlantıları

2.4.3 Su Soğutma Ünitesi (MW Modellerinde)

- Su soğutma ünitesi torcu soğutmak için kullanılan; radyatör, fan, pompa soğutma sıvısı deposundan oluşan bir kapalı devre sistemidir.
- Ara paketin soğuk (mavi) su hortumunu su soğutma sistemi üzerindeki soğuk su çıkışına, sıcak (kırmızı) su hortumunu su soğutma sistemi üzerindeki sıcak su girişine bağlayın.
- Magmaweld kaynak makineleri, en iyi performansı verecek şekilde üretilmiş Magmaweld soğutma sıvısı ile beraber gelir. Soğutma sıvısının eksilmesi durumunda soğutma sıvısı deposu kapağını açıp, çalışma ortamının sıcaklığına uygun Magmaweld soğutma sıvısı ilave edin. Soğutma sıvısı ünitenin ön panelinde gösterilen minimum ve maksimum değerleri içerisinde olmalıdır.
- Farklı soğutma sıvısı ya da su eklenmemelidir. Farklı sıvı eklentileri kimyasal tepkimelere ya da farklı problemlere neden olabilir.
- Farklı sıvı eklentisi yapılması durumunda ortaya çıkabilecek risklerden Magmaweld sorumlu değildir. Magmaweld soğutma sıvısına farklı soğutma sıvısı ya da su eklentisi yapılması durumunda tüm garanti hükümleri geçersiz olacaktır.
- Farklı marka soğutma sıvısı kullanılmak istenirse soğutma sıvısı deposunun içerisi tamamiyle boş olmalı, içerisinde herhangi bir kalıntı ya da sıvı kalmamalıdır.
- Su soğutma ünitelerinin, Magma Mekatronik Makine Sanayi ve Ticaret. A.Ş. firması kaynak makinaları haricinde kullanılması uygun değildir. Su soğutma üniteleri, harici besleme ile çalıştırılmaz.

2.4.4 Uzun Ara Paketlerin Bağlantısı

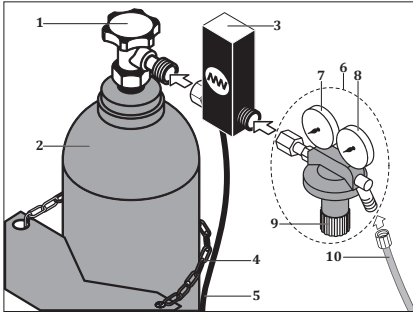
- 10 metre veya daha uzun ara pakete sahip makinelerde taşıma kolaylığı sağlanması için tel sürme ünitesi ile ara paket ayrılabilir şekilde tasarlanmıştır. Uzun ara paketlerin iki ucu da aynıdır ve makine ön yüzünde yapılan bağlantıların aynımsı tel sürme ünitesinin arkasındaki konnektörler ve soketlerle de yapılmalıdır.
- Eğer makinенizin ara paketi 10 metre veya daha uzunsa, ara paket ile tel sürme ünitesini aşağıdaki gibi bağlayın.



Şekil 4 : Uzun Ara Paket Tel Sürme Ünitesi Bağlantıları

2.4.5 Gaz Bağlantıları

- Eğer gaz tüpünü makine üzerindeki gaz tüpü taşıma platformu üzerinde kullanacaksanız gaz tüpünü buraya yerleştirip derhal zincirle sabitleyin.
- Eğer gaz tüpünü makine üzerine yerleştirmeyecekseniz zincirle duvara sabitleyin.
- Emniyetle çalışmak ve en iyi sonuçları elde etmek için standartlara uygun regülatör ve ısıtıcılar kullanın.
- Kullanacağınız gaz regülatörünün hortum bağlantısının ebadının 3/8 olduğundan emin olun.
- Gaz tüpü vanasını başınızı ve yüzünüzü tüp vanasının çıkışından uzak tutarak açın ve 5 sn açık tutun. Bu sayede olası tortu ve pislikler dışarı atılacaktır.
- Eğer CO₂ ısıtıcı kullanılacaksa, öncelikle CO₂ ısıtıcıyı gaz tüpüne bağlayın. Gaz regülatörünü CO₂ ısıtıcıya bağladıktan sonra CO₂ ısıtıcının fişini makinenin arkasındaki CO₂ ısıtıcı prizine takın.
- Eğer CO₂ ısıtıcı kullanılmayacaksa gaz regülatörünü gaz tüpüne bağlayın.
- Tüp hortumunun bir ucunu gaz regülatörüne bağlayın ve kelepçesini sıkın. Diğer ucunu makinenin arkasındaki gaz girişine bağlayın ve somununu sıkın.
- Gaz tüpü vanasını açarak tüpünün doluluğunu ve gaz yolunda herhangi bir sızıntı olmadığını kontrol edin. Eğer sızıntı göstergesi olarak bir ses duyar ve/veya gaz kokusu hissederseniz bağlantılarınızı gözden geçirin ve sızıntıyı ortadan kaldırın.



- | | |
|-------------------------------------------|---------------------|
| 1- Gaz Tüpü Vanası | 6- Gaz Regülatörü |
| 2- Gaz Tüpü | 7- Manometre |
| 3- CO ₂ Isıtıcı | 8- Debimetre |
| 4- Zincir | 9- Debi Ayar Vanası |
| 5- CO ₂ Isıtıcı Enerji Kablosu | 10- Tüp Hortumu |

Şekil 5 : Gaz Tüpü - Isıtıcı - Regülatör Bağlantıları

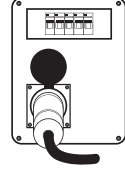
KULLANIM BİLGİLERİ

3.1 Şebekeye Bağlama



Fişi prize takarken, makinenin açma kapama anahtarının "0" konumunda olduğundan emin olun.

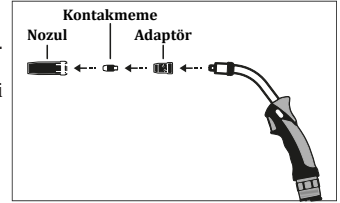
- Makineyi şebekeye bağlamadan önce 3 fazlı bir voltmetre ile kontrol edin. Her faz arasının 400V ($\pm 40V$) olduğunu tespit ettikten sonra fişi prize takın.
- Açma / kapama anahtarı ile makineyi çalıştırın.
- Fan sesini duyduktan ve voltmetre ile ampermetrenin ışığının yandığını gördükten sonra anahtarı tekrar "0" konumuna getirerek makineyi kapatın.



Şekil 6 : Şebeke Bağlantısı

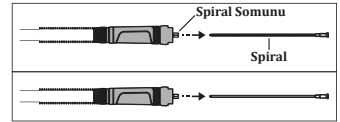
3.2 Torcu Hazırlama ve Bağlama

- Makinenizin kapasitesine ve yapacağınız kaynağa uygun torç kullanın.
- Torcun içindeki spiral ve kontak memenin çaplarının kullanacağınız kaynak telinin çapıyla aynı olduğundan emin olun. Gerekliyse spirali ve kontak memeyi değiştirin.
- Spirali değiştirmek için; sırasıyla nozulu, kontak memeyi ve adaptörü sökün.



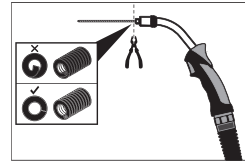
Şekil 7 : Nozul ve Kontak Memenin Torçtan Ayrılması

- Ardından, torç konnektörü tarafındaki spiral somununu anahtar yardımıyla söküp torcu düz olacak şekilde uzatın ve torcun içindeki spirali çıkartın.
- Yeni spirali torcun içine soktukten sonra, spiral somununu takıp iyice sıkın.



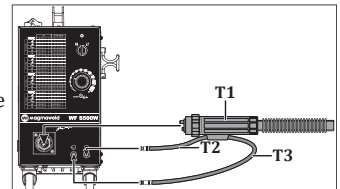
Şekil 8 : Spiralin Çıkartılması ve Takılması

- Spiralin torç başından çıkan fazlalığını spiral ile kontak meme arasında boşluk kalmayacak şekilde aşağıdaki şekilde de görüldüğü gibi gaz dağıtıcısının (kontak meme tutucunun) hemen bittiği yerden yan keski ile kesin. Kesim yerini eyeliyerek küt ve çapaksız hale getirin.



Şekil 9 : Spiralin Uzatısının Kesilmesi

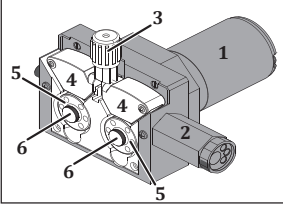
- Torcu torç konnektörüne bağlayıp somununu (T1) iyice sıkın.
- Makineniz su soğutma sistemine sahipse ve su soğutmalı torç kullanacaksanız, torcun soğuk su konnektörünü (mavi - T2) tel sürme ünitesindeki soğuk su çıkışına, torcun sıcak su konnektörünü (kırmızı - T3) tel sürme ünitesindeki sıcak su girişine bağlayın.



Şekil 10 : Torç Bağlantısı

3.3 Tel Sürme Makaralarının Seçimi ve Değişimi

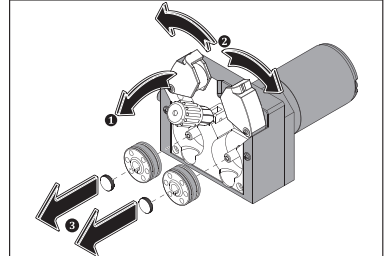
- Tel sürme bölümünün kapağını açın. 4 makaralı tel sürme sistemini göreceksiniz.



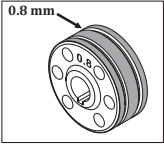
- 1- Motor
- 2- Euro Konnektör
- 3- Baskı Makarası Kolu
- 4- Baskı Makaraları
- 5- Tel Sürme Makaraları
- 6- T. S. Makaraları Vidaları

Şekil 11 : Tel Sürme Sistemi

- Kullanacağınız kaynak telinin malzemesine ve çapına uygun tel sürme makaraları kullanın. Çelik ve paslanmaz çelik için V oluklu, özlü tel için tırtıllı V oluklu, alüminyum için U oluklu tel sürme makaraları kullanın.
- Tel sürme makaralarını değiştirmeniz gerektiğinde baskı makarası kolunu kendinize doğru çekip baskı makaralarını kaldırdıktan sonra tel sürme makaralarının vidalarını söküp ve mevcut makaraları çıkartın.

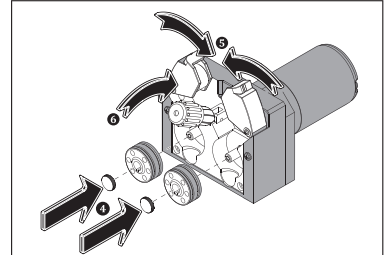


Şekil 12 : Tel Sürme Makaralarının Çıkartılması



Makaraların her iki yüzü de, kullanıldıkları tel çapına göre işaretlenmiştir. Makaraları kullanacağınız tel çapı değeri size bakan tarafta olacak şekilde flanşa yerleştirin.

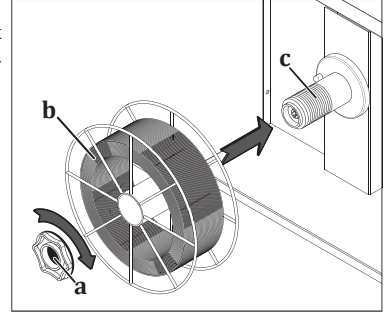
- Kullanacağınız makaraları yerleştirdikten sonra, vidalarını tekrar takıp baskı makaralarını indirin ve baskı makarası kolunu kaldırarak baskı makaraları üzerine kilitleyin.



Şekil 13 : Tel Sürme Makaralarının Yerleştirilmesi

3.4 Tel Sepetini Yerleştirme ve Teli Sürme

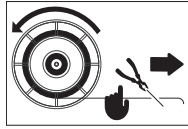
- Tel taşıma sisteminin vidasını çevirerek çıkartın. Kaynak teli makarasını tel zemine paralel ve hep aşağıdan gelecek şekilde tel taşıma sistemi miline geçirin ve vidayı tekrardan sıkın.



Şekil 14 : Tel Sepetini Yerleştirme



Somunun çok sıkılması telin sürülmesini engeller ve arızalara neden olabilir. Somunun az sıkılması ise tel sürmenin durdurulduğu anlarda makaranın boşalıp bir süre sonra karışmasına neden olabilir. O nedenle, somunu ne çok sıkı ne de çok gevşek bağlayın.

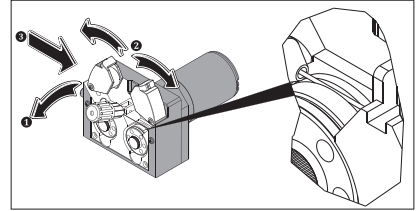


- Tel sürme makaralarının üzerindeki baskı kolunu çekip aşağı indirin, yani baskı makaralarını boşlayın.
- Kaynak telini makaradaki bağlandığı yerden çıkartıp elinizden kaçırmadan ucunu yan keskiyle kesin.

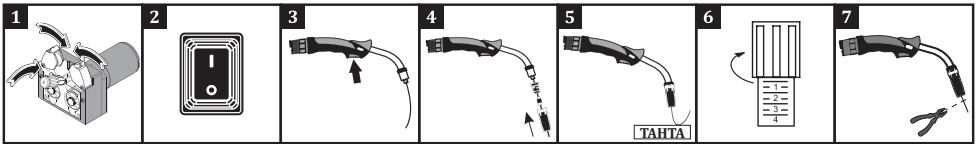


Telin ucunun kaçırılması durumunda tel bir yay gibi fırlayarak size ve çevrenizdekilere zarar verebilir.

- Teli bırakmadan tel giriş kılavuzundan geçirerek makaralara, makaralar üzerinden de torcun içine sürün.

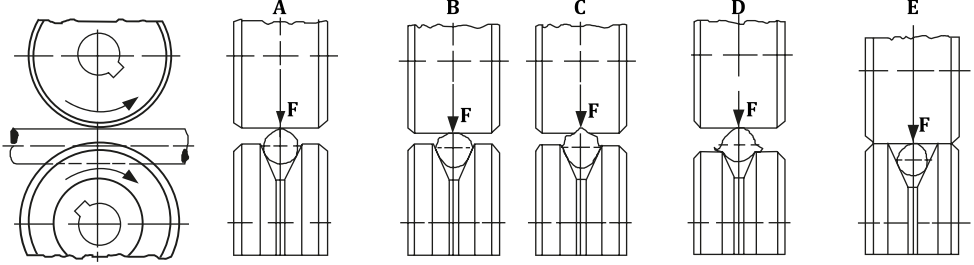


Şekil 15 : Teli Makaralara Sürme



- Baskı makaralarını bastırıp baskı kolunu kaldırın **1**.
- Açma Kapama Anahtarını "1" konumuna getirerek makineyi çalıştırın **2**.
- Tel torç ucundan çıkana kadar tetiğe basın, bu arada kaynak teli makarasının rahat döndüğünü gözlemleyin, tetiği bir kaç kere basıp bırakarak sarımda herhangi bir gevşeme olup olmadığını kontrol edin **3**. Gevşeme ve/veya geri sarma gözleniyorsa, tel taşıma sisteminin vidasını biraz daha sıkın.
- Tel torç ucundan çıkınca nozulu ve kontak memeyi torca geri takın **4**.
- Teli bir tahta üzerine sürerek **5** uygun tel baskı ayarını yapın **6** ve tel ucunu kesin **7**.

- A:** Uygun tel baskısı ve kanal ölçüsü
B: Baskı kolu çok sıkıştırıldığı için telin şeklinde bozulmalar oluşuyor.
C: Baskı kolu çok sıkıştırıldığı için makara yüzeyinde bozulmalar oluşuyor.
D: Makaranın kanal boyu kullanılan tel için küçük. Telin şeklinde bozulmalar oluşuyor.
E: Makaranın kanal boyu kullanılan tel için büyük. Tel kaynak bölgesine sevk edilemiyor.



Şekil 16 : Baskı Ayarı ve Makara Seçimi Hataları

3.5 Gaz Debisini Ayarlama



Gaz ayarını ve gaz testini tel sürme makarasının baskı kolunu indirerek yapın !

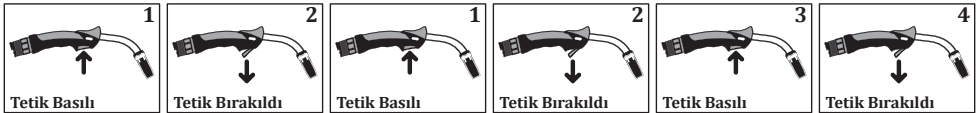
- Debi ayar vanası ile gaz debisini ayarlayın.
- Pratik gaz (CO₂ , Ar, karışım) debisi oranı tel çapının 10 katıdır.
Örneğin tel çapı 1,2 mm ise, gaz debisi 10 x 1,2 = 12 lt/dak olarak ayarlanabilir.
- Daha hassas debi ayarı için yandaki tabloyu kullanabilirsiniz. Gaz debisini ayarladıktan sonra baskı makarası kolunu kaldırın ve tel sürme ünitesinin kapağını kapatın.

	Alaşsız Çelik ve Metal Özlü Tel	Özlü Tel	Paslanmaz Çelik	Alüminyum
Tel Çapı (mm)	0.8	0.8	0.8	0.8
	8 lt/dak.	7 lt/dak.	8 lt/dak.	8 lt/dak.
	0.9	0.9	0.9	0.9
	9 lt/dak.	8 lt/dak.	9 lt/dak.	9 lt/dak.
	1.0	1.0	1.0	1.0
	10 lt/dak.	9 lt/dak.	10 lt/dak.	10 lt/dak.
	1.2	1.2	1.2	1.2
	12 lt/dak.	11 lt/dak.	12 lt/dak.	12 lt/dak.
	1.6	1.6	1.6	1.6
	16 lt/dak.	15 lt/dak.	16 lt/dak.	16 lt/dak.

Not: Standart koşullarda önerilen değerlerdir.

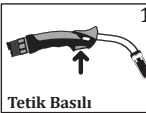
3.6 Tetik Modlarının Kullanımı

- Tetik modu anahtarı ile 2 konumu, 4 konumu ya da punta konumu seçilir.
- 2-konumu Şekil 17 de gösterildiği gibi çalışır.
- 4-konumu ise Şekil 18 de gösterildiği gibi çalışır. 4 konumu uzun süreli ve otomatik kaynak işlerinde kaynakçıya kullanım kolaylığı sağlar.
- Punta modunda ise tetiğe basıldığı an kaynak başlar, belirlenen on time süresi kadar kaynak devam eder, off time süresi kadar bekler. Tetik bırakılıncaya kadar işlem bu şekilde devam eder, tetik bırakıldığı an kaynak durur.

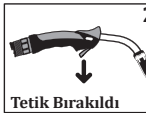


Gaz hemen başlar.
Akım hemen başlar.
Tel sürme ön gazdan sonra başlar.

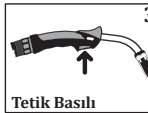
Tel sürme hemen durur.
Akım geri yanmadan sonra durur.
Gaz son gazdan sonra durur.



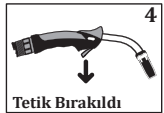
Gaz hemen başlar.
Akım hemen başlar.
Tel sürme ön gazdan sonra başlar.



Gaz devam eder.
Akım devam eder.
Tel sürme devam eder.



Gaz devam eder.
Akım devam eder.
Tel sürme devam eder.

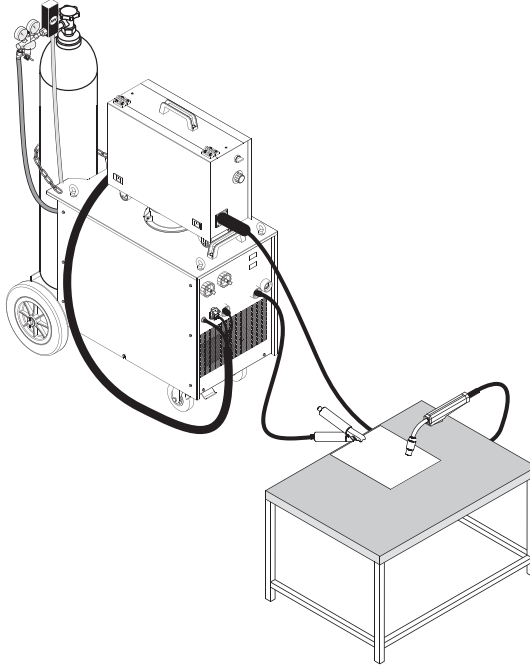


Tel sürme hemen durur.
Akım geri yanmadan sonra durur.
Gaz son gazdan sonra durur.

Şekil 17 : 2 - Konumunun Kullanımı

Şekil 18 : 4 - Konumunun Kullanımı

3.7 Kaynağa Başlama ve Kaynağı Sonlandırma



Şekil 19 : Kaynak Bağlantıları

- Kullanacağınız telin çapına, kullanacağınız gazın türüne ve kaynağı yapacağınız malzemenin kalınlığına göre makinenizin kaynak parametreleri tablosundan "Kaba Ayar Kademesi", "İnce Ayar Kademesi" ve "Tel Sürme Hızı" nı tespit edin ve makinenizi bu ayarlara getirin.

- ∅ Tel Çapı
-  Malzeme Kalınlığı
-  Kaba Ayar Kademesi
-  İnce Ayar Kademesi
-  Tel Sürme Hızı
- A** Akım
- V** Gerilim

- Bütün güvenlik kurallarına uyduğunuzdan ve gerekli önlemleri aldığınızdan emin olduktan sonra kaynağa başlayabilirsiniz.
- Kaynak esnasında anlık kaynak gerilimi voltmetrede, anlık kaynak akımı ampermetrede görüntülenecektir.



Kaynak yapmadığımız zamanlarda torcu iş parçasına, kaynak pensesine, makinenin kaportasına değmeyecek ve tetiği basılı kalmayacak şekilde bırakın.

- Kaynak makinesiyle işiniz bittikten sonra bir süre makinenin soğumasını bekleyip açma kapama anahtarını "0" konumuna getirin. Makinenin fişini çekin ve gaz tüpünü kapatın.

3.8 Kaynak Parametreleri

- Kaynak parametrelerine laboratuvar koşullarında masif tel ile yapılan yatay kaynakla ulaşılmıştır. Uygulamaya ve ortam koşullarına göre değerler değişiklik gösterebilir.

RS 350 M /MW

	CO ₂				Ar/CO ₂ (80/20)						
	1	2	3	5	1	2	3	5	5		
Ø : 0,8 mm		1	2	3	5	1	2	3	5	5	
		1	2	2	3	1	2	2	2	3	
		4	1	5	1	3	2	4	7	2	
		5	7	12	16	5	9	11	16	16	
		A	65	90	130	160	68	121	130	160	180
	V	18	20	24	27	17.3	20.5	22	25.5	28.3	
Ø : 1,0 mm		2	3	5	10	2	3	5	5	10	
		2	2	3	3	2	2	2	3	3	
		3	7	2	4	3	6	7	1	2	
		A	100	150	195	200	135	170	180	200	230
		V	22	26	28	31	21	25	26	27.5	29
Ø : 1,2 mm		3	5	10	12	14	3	5	5	10	
		2	2	3	3	3	2	2	2	3	
		3	7	2	3	4	1	4	7	2	
		A	160	200	240	240	260	160	200	210	260
		V	22	26	29	30.5	32	19.5	22	26	29

RS 400 M /MW

	CO ₂				Ar/CO ₂ (80/20)					
	1	2	3		1	2	3	5	5	
Ø : 0,8 mm		1	1	2		1	1	2	2	3
		5	7	3		3	7	1	6	7
		5	6	9		6.5	9	10.5	13	20
		A	60	80	100		90	100	110	140
		V	20	21	22.5		18.5	20	20.5	24
Ø : 1,0 mm		2	3	5	10	2	3	5	5	10
		2	2	3	3	1	2	3	4	4
		2	5	1	6	7	3	1	1	5
		A	100	110	150	200	110	140	170	230
		V	22	24	25	30	20	21	25	31
Ø : 1,2 mm		3	5	10	12	14	3	5	5	10
		2	3	3	3	4	2	3	4	4
		3	1	5	7	1	2	1	1	6
		A	120	160	220	230	250	140	200	250
		V	22	25	29	30	31	21	24	31

RS 500 M /MW

	CO ₂				Ar/CO ₂ (80/20)					
	1	2	3		1	2	3	5	5	
Ø : 0,8 mm		1	1	1		1	1	1	1	3
		3	5	7		1	2	4	9	1
		4	6	7		5	6	8	10	21
		A	60	70	90		70	85	100	120
		V	20	21	22		19	19	20	23
Ø : 1,0 mm		2	3	5	10	2	3	5	5	10
		1	1	2	2	1	1	2	2	3
		6	8	1	5	5	7	1	10	2
		A	90	120	140	170	120	140	170	220
		V	22	22	24	27	20	21	24	31
Ø : 1,2 mm		3	5	10	12	14	3	5	5	10
		1	2	2	2	2	1	1	2	3
		7	1	5	8	10	6	9	9	1
		A	120	140	190	230	250	140	180	250
		V	22	24	26	29	31	20	22	30
Ø : 1,6 mm		5	10	20		5	10	20		
		2	3	3		2	3	3		
		1	1	3		4	3	5		
		A	140	300	350		250	380	440	
		V	24	32	34		24	34	36	



BAKIM VE ARIZA BİLGİLERİ

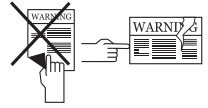
- Makineye yapılacak bakım ve onarımların mutlaka yetkin kişiler tarafından yapılması gerekmektedir. Yetkisz kişiler tarafından yapılacak müdahaleler sonucu oluşacak kazalardan firmamız sorumlu değildir.
- Onarım esnasında kullanılacak parçaları yetkili servislerimizden temin edebilirsiniz. Orijinal yedek parça kullanımı makinenizin ömrünü uzatacağı gibi performans kayıplarını engeller.
- Her zaman üreticiye veya üretici tarafından belirtilen yetkili bir servise başvurun.
- Garanti süresi içerisinde üretici tarafından yetkilendirilmemiş herhangi bir girişiminde tüm garanti hükümleri geçersiz olacaktır.
- Geçerli güvenlik kurallarına bakım onarım işlemleri sırasında mutlaka uyunuz.
- Tamir için makinenin herhangi bir işlem yapılmadan önce, makinenin elektrik fişini şebekeden ayırınız ve kondansatörlerin boşalması için 10 saniye bekleyiniz.

4.1 Bakım



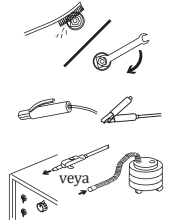
3 Ayda Bir

- Cihaz üzerindeki uyarı etiketlerini sökmeyiniz. Yıpranmış / yırtılmış etiketleri yenisi ile değiştiriniz. Etiketleri yetkili servisten temin edebilirsiniz.
- Torcun, penselerin ve kablolarınızın kontrolünü yapınız. Parçaların bağlantılarına ve sağlamlığına dikkat ediniz. Hasar görmüş / arızalı parçaları yenisi ile değiştiriniz. Kablolara ek / onarım kesinlikle yapmayınız.
- Havalandırma için yeterli alan olduğuna emin olunuz.
- Kaynağa başlamadan önce torcun ucundan çıkan gaz debisini debimetre ile kontrol ediniz. Gazın debisi yüksek veya düşük ise yapılacak kaynağa uygun seviyeye getiriniz.



6 Ayda Bir

- Civata, somun gibi birleştirici parçaları temizleyiniz ve sıkıştırınız.
- Elektrod pensesi ve toprak pensesi kablolarını kontrol ediniz.
- Makinenin yan kapaklarını açarak düşük basınçlı kuru hava ile temizleyiniz. Elektronik parçalara yakın mesafeden basınçlı hava uygulamayınız.
- Su soğutma ünitesinin deposundaki su periyodik aralıklarla sert olmayan, temiz bir su ile yenileyin ve donmaya karşı antifriz ile koruyun.



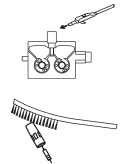
NOT: Yukarıda belirtilen süreler, cihazınızda hiçbir sorunla karşılaşmaması durumunda uygulanması gereken maksimum periyotlardır. Çalışma ortamınızın yoğunluğuna ve kirliliğine göre yukarıda belirtilen işlemleri daha sık aralıklarla tekrarlayabilirsiniz.



Asla kaynak makinesinin kapakları açıkken kaynak yapmayın.

4.2 Periyodik Olmayan Bakım

- Tel Sürme Mekanizması temiz tutulmalı ve makara yüzeyleri kesinlikle yağlanmamalı.
- Her kaynak teli değişiminde mutlaka mekanizma üzerinde biriken kalıntıları kuru hava yardımıyla temizleyin.
- Torç üzerindeki sarf malzemeler düzenli olarak temizlenmeli. Eğer gerekiyorsa değiştirilmeli. Bu malzemelerin uzun süreli kullanılması için orijinal ürünler olmasına dikkat edin.



4.3 Hata Giderme

Aşağıdaki tablolarda karşılaşılan olası hatalar ve çözüm önerileri bulunmaktadır:

Arıza	Neden	Çözüm
Makine çalışmıyor	• Makine şebekeye bağlı değil, yada fişi takılı değil	• Makinenin fişinin prize takılı olduğundan emin olun
	• Şebeke bağlantıları doğru değil	• Şebeke bağlantılarının doğru olduğunu kontrol ediniz
	• Şebeke besleme sigortaları, şebeke kablosu veya fişi sorunlu	• Şebeke beslenme sigortalarını, şebeke kablosunu ve fişini kontrol ediniz
	• Sigorta atık	• Sigortayı kontrol ediniz
	• Kontaktör arızalı	• Konnektörü kontrol ediniz
Tel sürme motoru çalışmıyor	• Sigorta atık	• Sigortayı kontrol ediniz
	• Elektronik kart arızalı	• Yetkili servis ile iletişime geçiniz
Tel sürme motoru çalışıyor, fakat tel ilerlemiyor	• Tel sürme makaraları tel çapına uygun seçilmemiş	• Uygun tel sürme makarası seçiniz
	• Tel sürme makaralarındaki baskı çok az	• Baskı makarasını ayarlayınız
İyi kaynak yapılmıyor	• Makinenin topraklama pensesinin parçasına bağlantısında sorun var	• Makinenin topraklama pensesinin iş parçasına bağlı olduğunda emin olunuz
	• Kablolar ve bağlantı noktaları aşınmış	• Kabloların sağlamlığından ve bağlantı noktalarının aşınmamış olduğundan emin olunuz
	• Parametre ve proses seçimi hatalı	• Parametre ve proses seçiminin doğru olduğundan emin olunuz. Seçtiğiniz prosese göre aşağıdaki adımları uygulayınız
	• Gaz akışının açık değil veya hatalı	• Gaz akışının açık olduğunu kontrol ediniz, akışın doğru olduğundan emin olunuz
	• Kaynak torcu hasarlı	• Kaynak torcunun sağlamlığından emin olunuz
	• Sarf malzemeler hatalı seçilmiş veya tahribat görmüş	• Uygun sarf malzeme seçilmeli ve torç üzerindeki sarf malzemeler düzenli olarak temizlenmelidir. Hatalı seçilmiş veya aşınmış sarf malzemeler değiştirilmelidir
	• Baskı makaralarının baskı ayarı doğru değil	• Baskı makara ayarları doğru şekilde yapılmalıdır

Arıza	Neden	Çözüm
Fan çalışmıyor	• Sigorta atık	• Sigortayı kontrol ediniz
	• Fan motoru arızalı	• Yetkili servis ile iletişime geçiniz
Makine gürültülü çalışıyor	• Kontaktör arızalı	• Yetkili servis ile iletişime geçiniz
Kaynak akımı kararlı değil ve/veya ayarlanmıyor	• Diyot grubu arızalı	• Yetkili servis ile iletişime geçiniz
Isıtıcı priz çalışmıyor	• Sigorta atık	• Sigortayı kontrol ediniz. Yetkili servis ile iletişime geçiniz

4.4 Sigorta Tablosu

Sigorta	Amper	Özellik	Koruduğu Devre
F1	10 A	Hızlı	Tel sürme motoru ve kartı
F2	1 A	Gecikmeli	Soğutucu Fan
F3	1 A	Hızlı	CO ₂ Isıtıcısı
F4	1 A	Hızlı	Voltmetre / Ampermetre Kartı

4.5 Hata Kodları

Hata Kodu	Hata	Neden	Çözüm
Err	Termal Koruma	• Makinenizin devrede kalma oranı aşmış olabilir	<ul style="list-style-type: none"> • Bir süre bekleyerek makinenin soğumasını sağlayınız . Arıza ortadan kalkıyor ise daha düşük amper değerlerinde kullanmaya çalışınız • Sorun devam ediyorsa yetkili servis ile iletişime geçiniz
		• Fan çalışmıyor olabilir	<ul style="list-style-type: none"> • Fanın çalışıp çalışmadığını göz ile kontrol ediniz • Sorun devam ediyorsa yetkili servis ile iletişime geçiniz
		• Hava giriş-çıkış kanallarının önü kapanmış olabilir	<ul style="list-style-type: none"> • Hava kanallarının önünü açınız • Sorun devam ediyorsa yetkili servis ile iletişime geçiniz
		• Makine çalışma ortamı aşırı sıcak ya da havasız olabilir	<ul style="list-style-type: none"> • Makine çalışma ortamının aşırı sıcak ya da havasız olmadığından emin olunuz • Sorun devam ediyorsa yetkili servis ile iletişime geçiniz
	Su Soğutma Ünitesi Hatası	• Su soğutma ünitesinde hata olabilir	<ul style="list-style-type: none"> • Su soğutma ünitesi konnektörü ve torç giriş / çıkışlarını kontrol edin • Su sirkülasyonun sağlandığından emin olun • Sorun devam ediyorsa yetkili servis ile iletişime geçiniz

EKLER

5.1 Tel Sürme Ünitesi İçinde Yer Alan İnce Ayarlar

Tel sürme motorunun yukarısında yer alan panel üzerinden ince ayarları yapabilirsiniz.

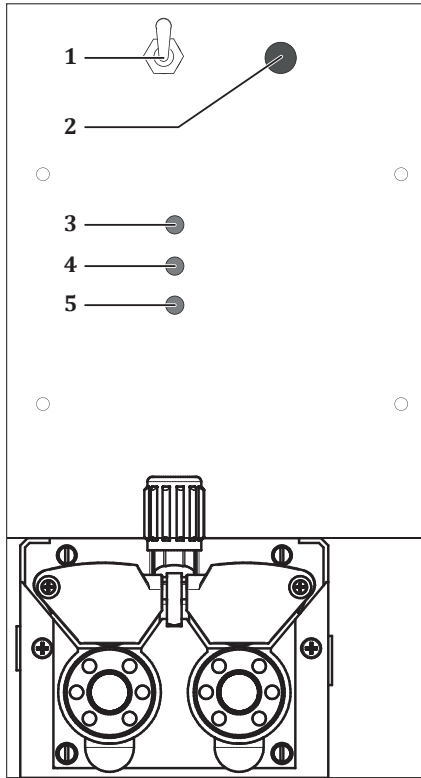
1- Soft Start Anahtarı: Anahtar ON konumunda iken, tel sürme düşük bir hızda başlar ve tel iş parçasına değip de kaynak arkı başladıktan sonra ayarlanan hızda devam eder. Anahtar OFF konumunda iken tel sürme ayarlanan hızda başlar.

2- Serbest Tel Sürme Düğmesi: Düğmeye basılı tutulduğu sürece tel sürülür, gaz ventili çalışmaz. Bu düğmeyi teli torca sürmek için kullanabilirsiniz.

3- Son Gaz Süresi Ayar Trimpotu: Son gaz süresini arttırmak için trimpotu düz uçlu bir tornavida ile saat yönünde çevirin, azaltmak için trimpotu saat yönünün tersine çevirin. Son gaz süresi 0 - 3 sn. aralığında ayarlanabilir.

4- Ön Gaz Süresi Ayar Trimpotu: Ön gaz süresini arttırmak için trimpotu düz uçlu bir tornavida ile saat yönünde çevirin, azaltmak için trimpotu saat yönünün tersine çevirin. Ön gaz süresi 0 - 3 sn. aralığında ayarlanabilir.

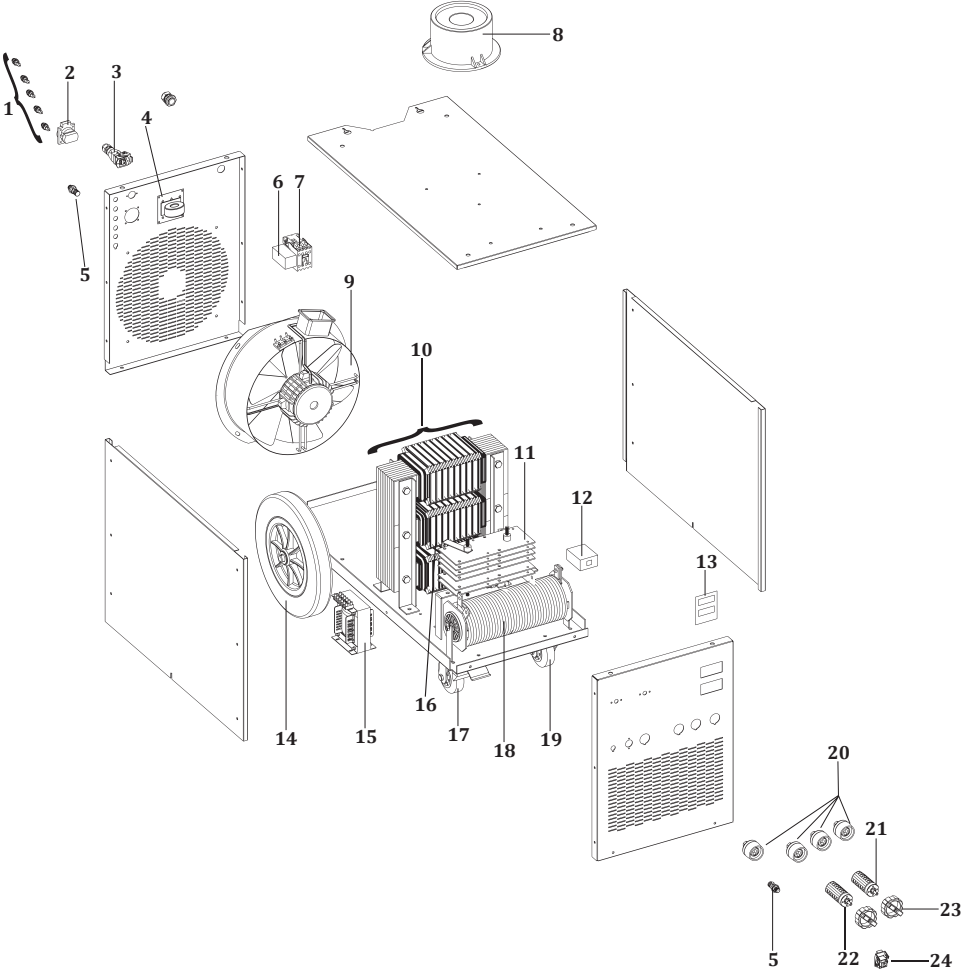
5- Geri Yanma Ayar Trimpotu: Tel sürme sona erdikten sonra devam eden akımın süresini arttırmak için trimpotu düz uçlu bir tornavida ile saat yönünde çevirin, azaltmak için trimpotu saat yönünün tersine çevirin. Geri yanma süresi 0 - 1 sn. aralığında ayarlanabilir.



5.2 Yedek Parça Listeleri

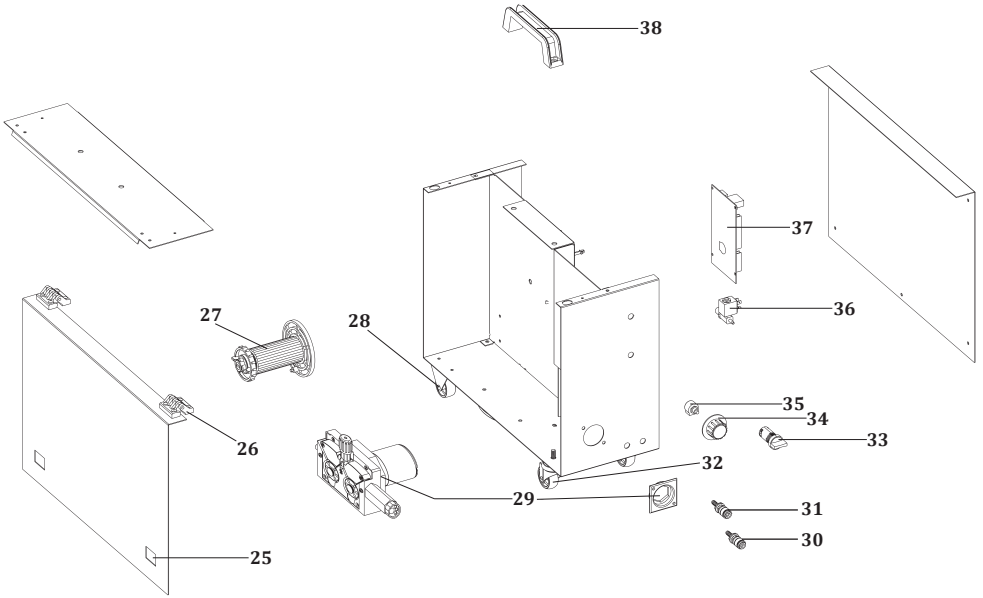
Güç Kaynağı Yedek Parça Listesi

TR



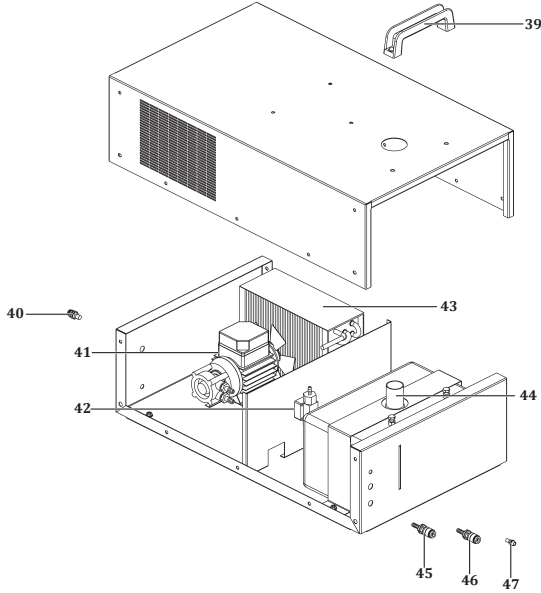
NO	TANIM	RS 350 M / MW	RS 400 M / MW	RS 500 M / MW
1	Cam Sigorta Yuvası	A300190001	A300190001	A300190001
2	Monofaze Makine Prizi	A377100004	A377100004	A377100004
3	Konnektör	A378002003	A378002003	A378002003
4	Elektronik Kart RS Filter	K405000224	K405000224	K405000262
5	Gaz Rakoru	A256006067	A256006067	A256006067
6	EMC Filtre	K405000902	K405000902	K405000902
7	Konnektör	A311000032	A311000032	A311000050
8	Döner Aparat	K090200002	K090200002	K090200002
9	Soğutucu Fan	A250001002	A250001002	A250001002
10	Ana Transformatör	K304000065	K304100108	K304100110
11	Diyot Grubu	A430901010	A430901011	A430901012
12	Hall Effect Sensör	A834000002	A834000002	A834000003
13	Ampermetre Voltmetre Kartı	K405000018	K405000018	K405000018
14	Plastik Tekerlek	A225222012	A225222012	A225222012
15	Kumanda Trafosu	K304400024	K304400024	K304400024
16	Primer - Sekonder Bobin	K302200064	K302200208	K302200210
17	Plastik Döner Tekerlek	A225220108	A225220108	A225220108
18	Şok Bobin	K304500041	K304500048	K304500087
19	Plastik Döner Tekerlek	A225220010	A225220010	A225220010
20	Kaynak Prizi	A377900106	A377900106	A377900106
21	Pako Şalter	A308032020	A308032070	A308033104
22	Pako Şalter	A308032022	A308032074	A308033112
23	Şalter Düğmesi	A308900004	A308900004	A308900004
24	Konnektör	A378002002	A378002002	A378002002

Tel Sürme Ünitesi Yedek Parça Listesi



NO	TANIM	MALZEME KODU
		RS 350 MW - RS 400 MW - RS 500 MW
25	Kapak Kilidi	A229300006
26	Menteşe	A229200005
27	Tel. Tas. Mak. Sistemi 3'Lü Bağlantı	A229900003
28	Sac Sabit Tekerlekler	A225101004
29	Tel Sürme Sistemi	K309002210
30	Quick Kaplin Kırmızı	A245700003
31	Quick Kaplin Mavi	A245700002
32	Sac Döner Tekerlek	A225100004
33	Mandal Buton	A310030002
34	Potans Düğmesi	A229500002
35	Potansiyometre	A410810004
36	Gaz Ventili	A253006014
37	Elektronik Kart	K405000351
38	U Bakalit Kol	A229102002

Su Soğutma Ünitesi Yedek Parça Listesi

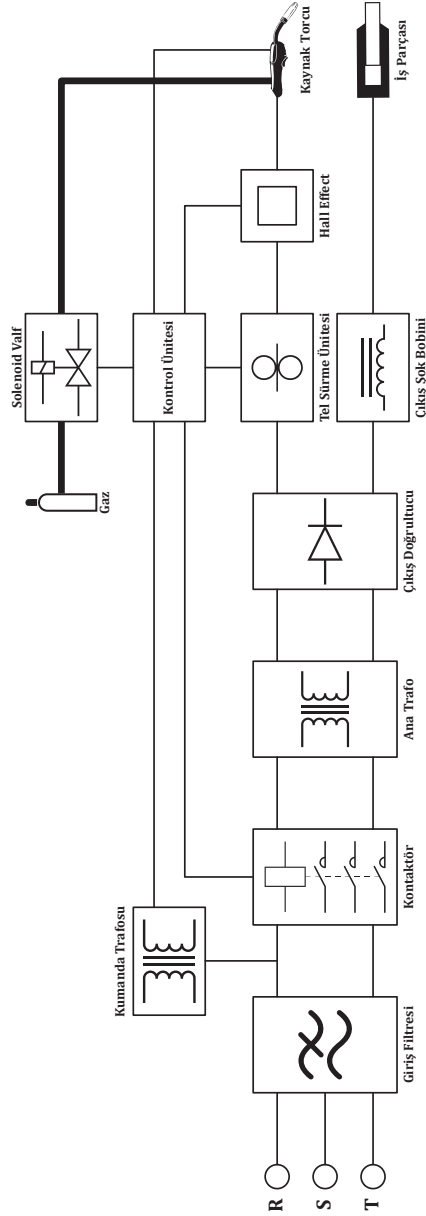


NO	TANIM	MALZEME KODU
		RS 350 MW - RS 400 MW - RS 500 MW
39	U Bakalit Kol	A229102002
40	Cam Sigorta Yuvası	A300190001
41	Su Pompası	A240000004
42	Akış Anahtarı	A314210018
43	Radyatör	A260000004
44	Su Deposu	A249000003
45	Quick Kaplin Mavi	A245700002
46	Quick Kaplin Kırmızı	A245700003
47	Sinyal Ampulu Neon	A310310002

5.3 Bağlantı Şemaları

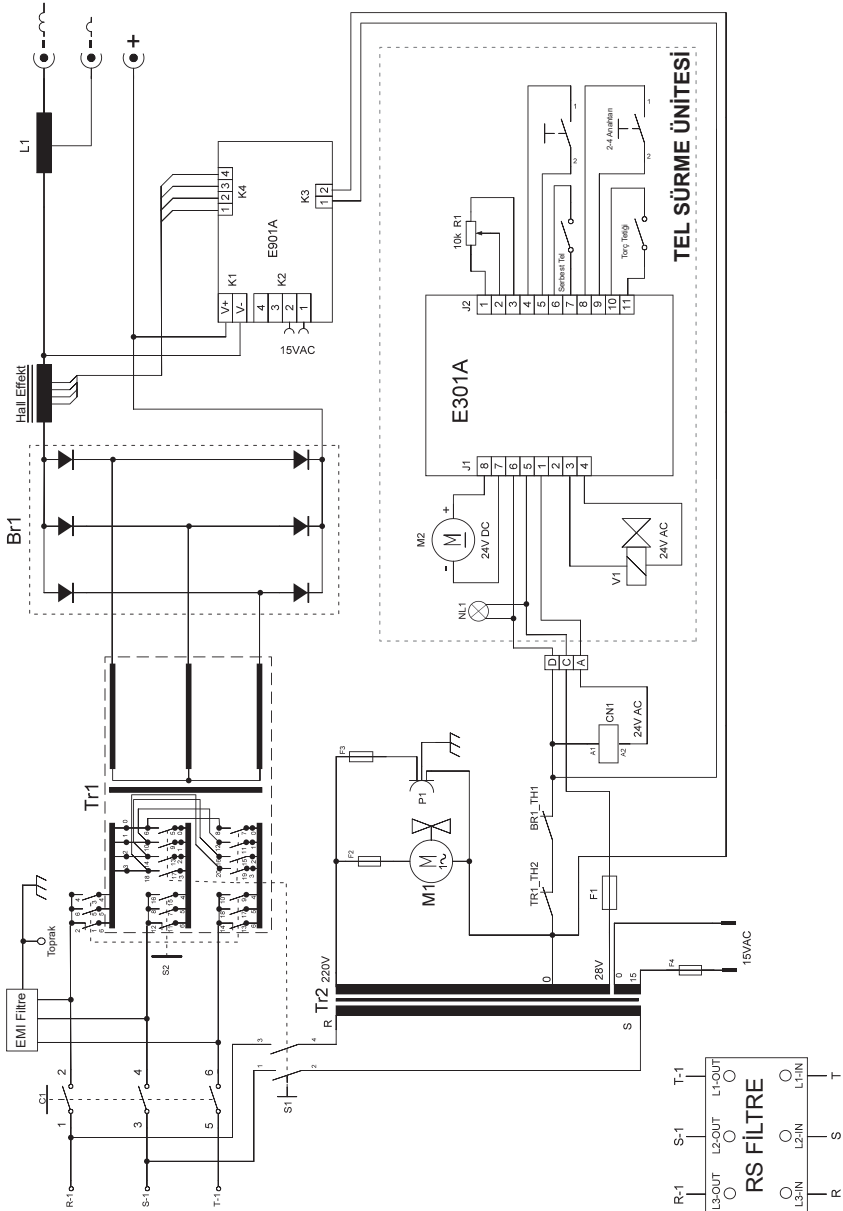
Blok Diyagram

TR

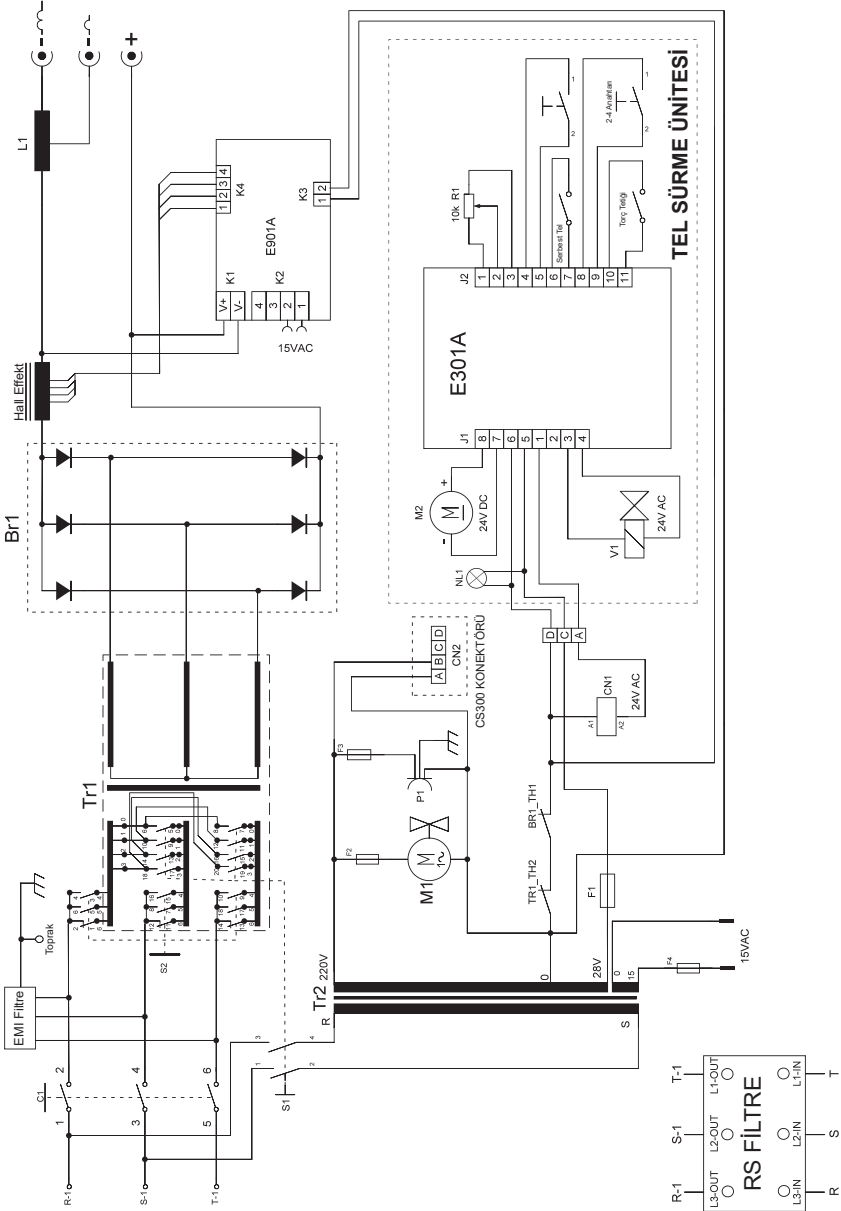


Devre Şemaları

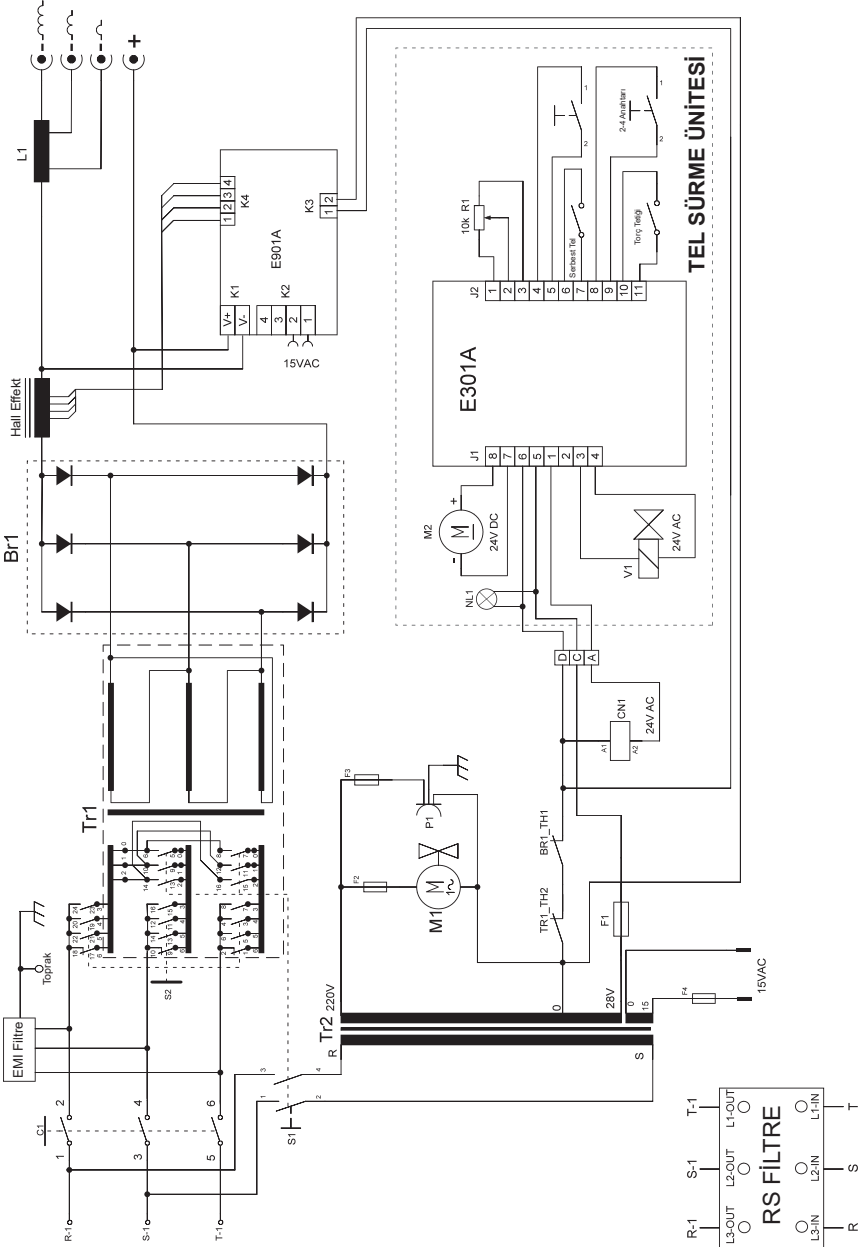
RS 350 M



RS 350 MW

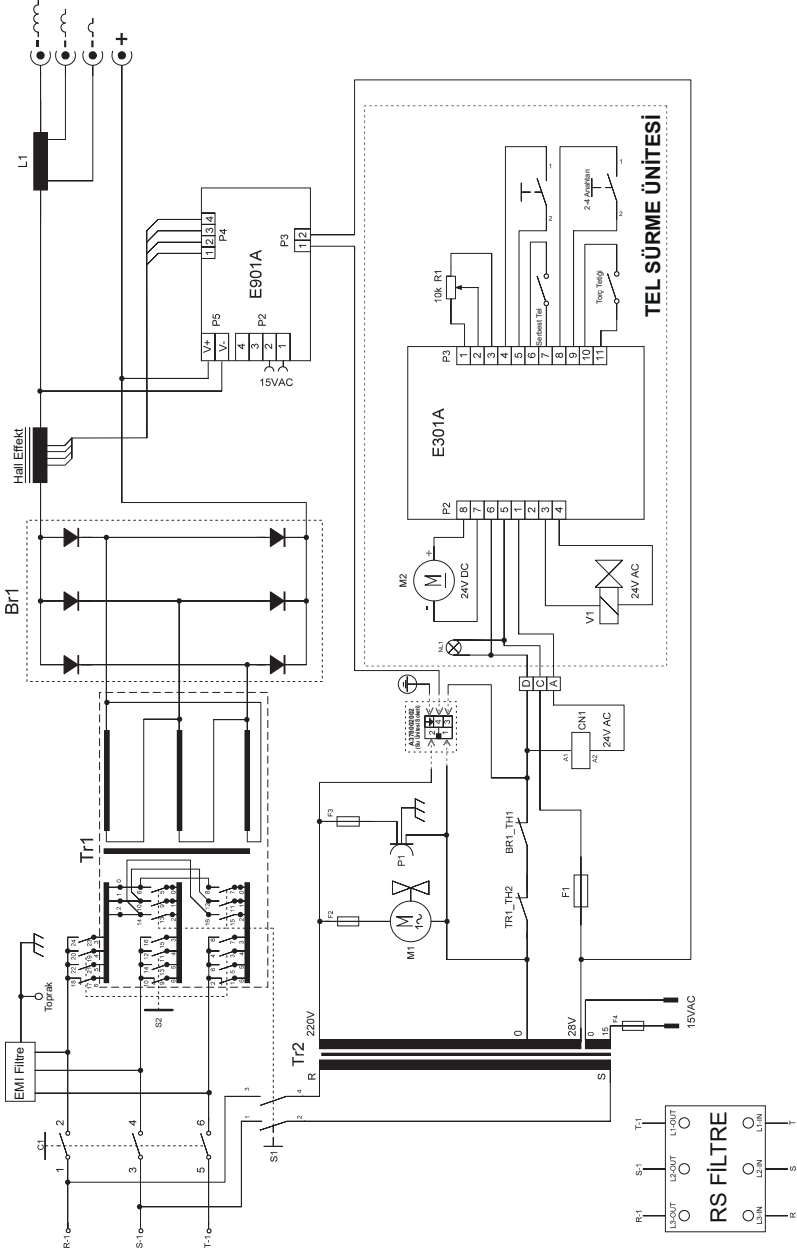


RS 500 M



TR

RS 500 MW

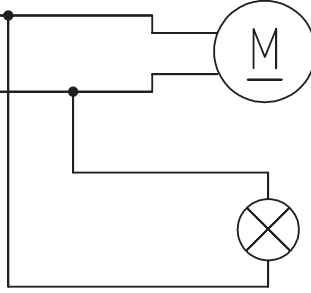


Su Ünitesi Devre Şeması**RS 350 MW**A378002003
(Su Ünitesi Prizi)

A300102007

Cam Sigorta (Gecikmeli)

2A

A240000004
230 VAC SU POMPASIA310310002
220 V LED

TR

RS 400 MW / RS 500 MW

A314210018

AKIŞ ANAHTARI

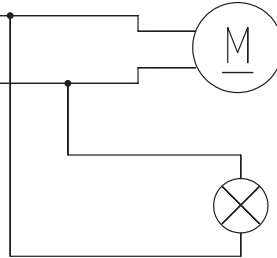
A378002003

(Su Ünitesi Prizi)

A300102007

Cam Sigorta (Gecikmeli)

2A

A240000004
230 VAC SU POMPASIA310310002
220 V LED

MALIN**Modeli****Seri Numarası****İMALATÇI / İTHALATÇI FİRMANIN****Ünvanı**

MAGMA MEKATRONİK MAKİNE SANAYİ VE TİCARET A.Ş.

Adresi

Organize Sanayi Bölgesi 5. Kısım MANİSA

Telefonu / E - Postası

+90 236 226 27 00 / info@magmaweld.com

SATICI FİRMANIN**Ünvanı****Adresi****Telefonu / E-Postası****Fatura Tarihi ve No.****ALICININ****Ünvanı****Adresi****Telefonu / E - Postası****Teslim Alanın Adı Soyadı****KURULUMU YAPAN SERVİSİN****Ünvanı****Teknisyenin Adı Soyadı****Devreye Alma Tarihi**
(Garanti Başlama Tarihi)

Garanti Şartları için www.magmaweld.com.tr/garanti-sartlari/wt web sitemizi ziyaret ediniz.

YETKİLİ SERVİSLER

MERKEZ SERVİS

Organize Sanayi Bölgesi, 5. Kısım 45030 MANİSA

Telefon : 444 93 53

E-Posta : info@magmaweld.com

YETKİLİ SERVİSLER



Güncel servis listemiz için www.magmaweld.com.tr/servis-listesi web sitemizi ziyaret ediniz.

Magma Mekatronik Makine Sanayi ve Ticaret A.Ş.
Organize Sanayi Bölgesi, 5. Kısım 45030 Manisa, TÜRKİYE

03.03.2025
UM_RSMMW350_500_022022_032025_003_176



(+90) 444 93 53
magmaweld.com
info@magmaweld.com